

US00D700285S

(12) **United States Design Patent**  
**Yang**

(10) **Patent No.:** **US D700,285 S**

(45) **Date of Patent:** **\*\* Feb. 25, 2014**

(54) **THERMOSTATIC VALVE**

(71) Applicant: **Tsai-Chen Yang**, Taichung (TW)

(72) Inventor: **Tsai-Chen Yang**, Taichung (TW)

(\*\*) Term: **14 Years**

(21) Appl. No.: **29/433,142**

(22) Filed: **Sep. 26, 2012**

(51) **LOC (10) Cl.** ..... **23-01**

(52) **U.S. Cl.**  
USPC ..... **D23/233**

(58) **Field of Classification Search**  
USPC ..... D23/233-237, 244-249; 137/398, 545,  
137/547, 549; 251/62, 63.5, 129.01, 129.1,  
251/129.16-129.18, 205, 208, 215,  
251/309-312, 904  
See application file for complete search history.

(56) **References Cited**

**U.S. PATENT DOCUMENTS**

1,559,222	A	*	10/1925	Carrey	.....	137/382
D236,266	S	*	8/1975	Holben	.....	D23/235
D368,130	S	*	3/1996	Itafuji	.....	D23/233
D471,960	S	*	3/2003	Humber	.....	D23/233
D643,093	S	*	8/2011	Schmuckle et al.	.....	D23/235

D667,930	S	*	9/2012	Yamada	.....	D23/235
D686,298	S	*	7/2013	Ching et al.	.....	D23/233
D690,390	S	*	9/2013	Garm et al.	.....	D23/233
D690,800	S	*	10/2013	Ren	.....	D23/233
2004/0112807	A1	*	6/2004	Aberle et al.	.....	210/120

\* cited by examiner

*Primary Examiner* — Cynthia Ramirez

(74) *Attorney, Agent, or Firm* — Muncy, Geissler, Olds & Lowe, P.C.

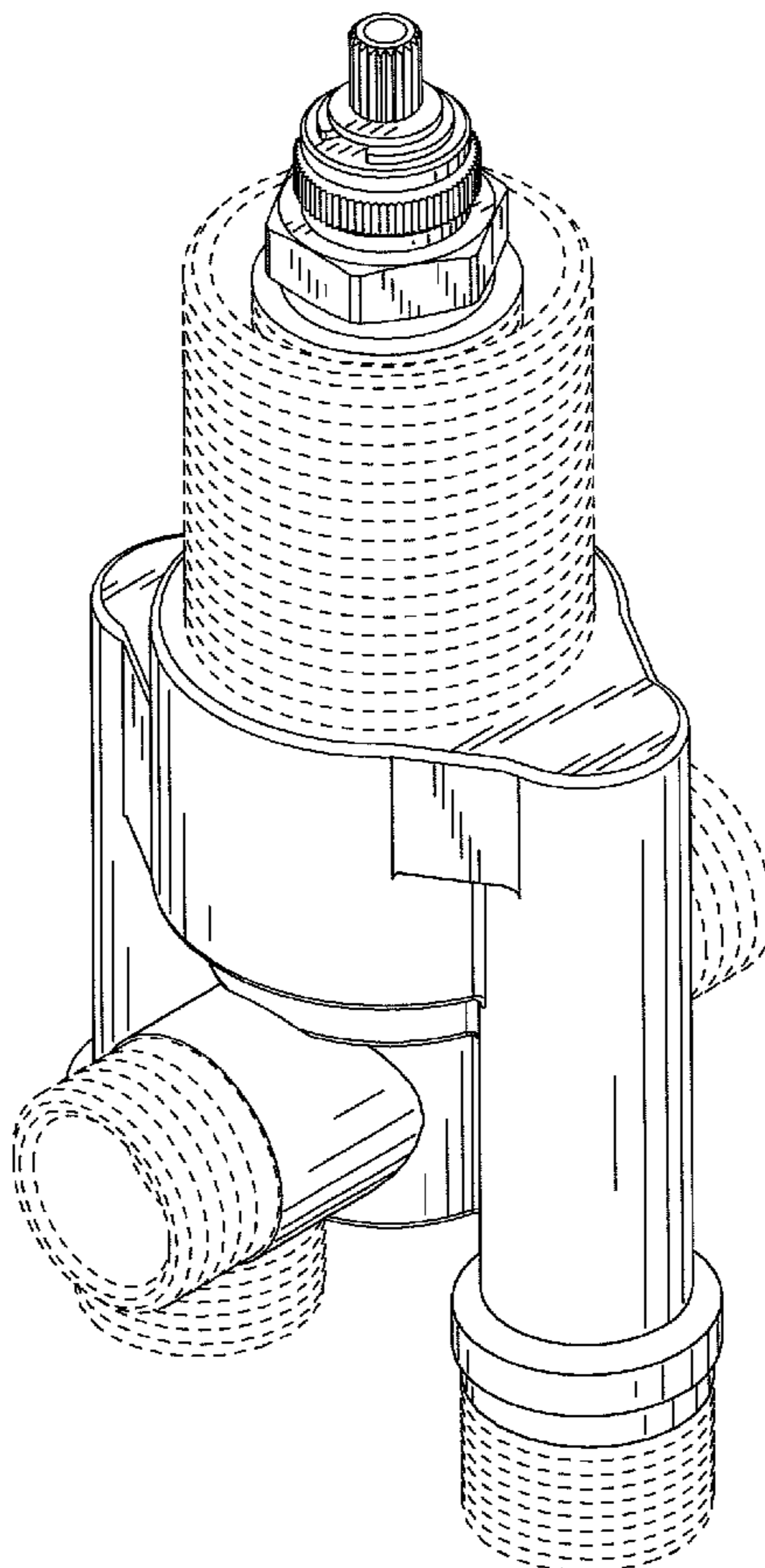
(57) **CLAIM**

I claim the ornamental design for a thermostatic valve, as shown and described.

**DESCRIPTION**

FIG. 1 is a perspective view of a thermostatic valve showing my new design;  
FIG. 2 is a front view thereof;  
FIG. 3 is a rear view thereof;  
FIG. 4 is a left side view thereof;  
FIG. 5 is a right side view thereof;  
FIG. 6 is a top plan view thereof; and,  
FIG. 7 is a bottom plan view.  
The portions shown in broken lines are for illustrative purposes only and form no part of the claimed design.

**1 Claim, 6 Drawing Sheets**



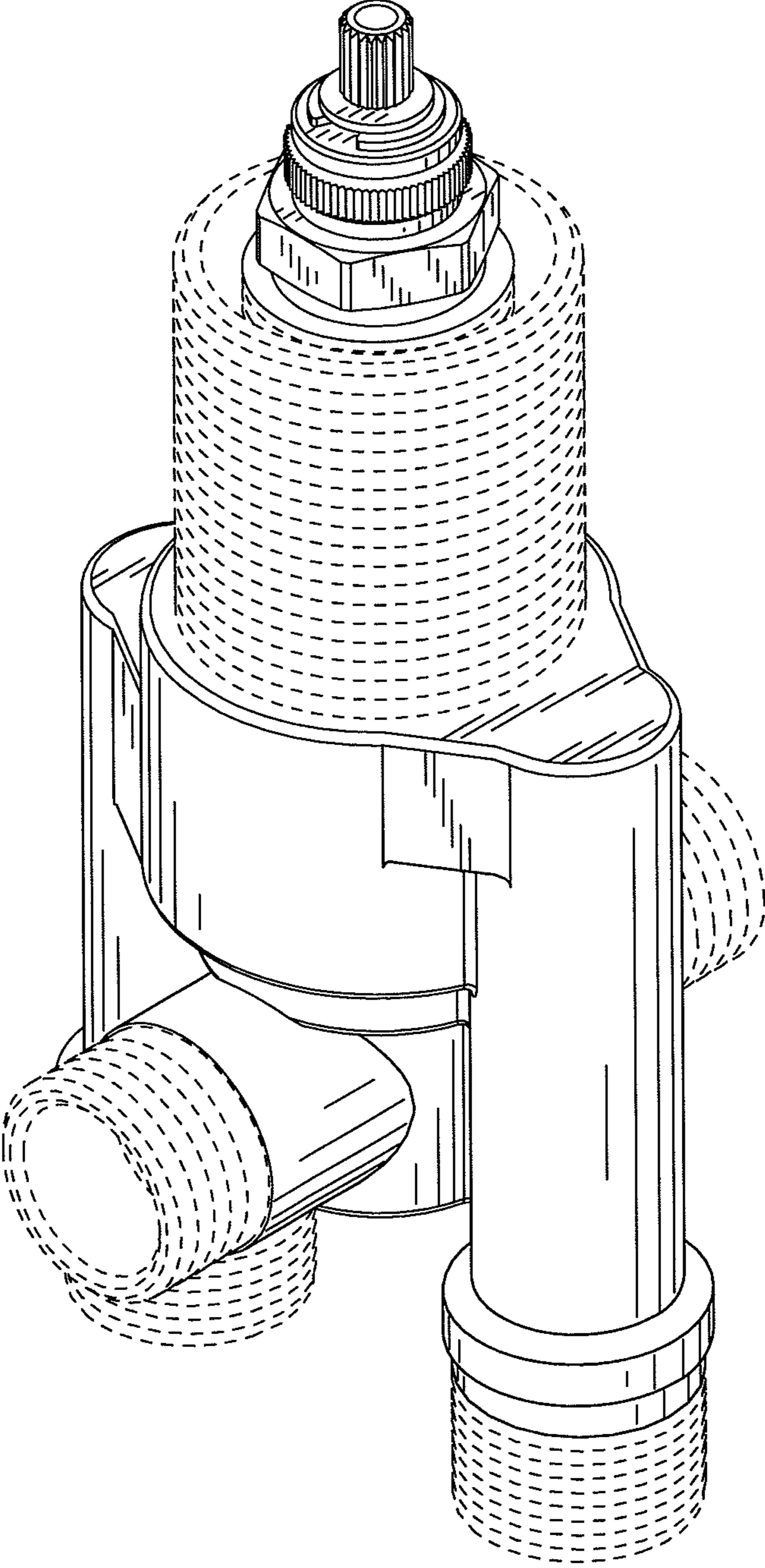


FIG. 1

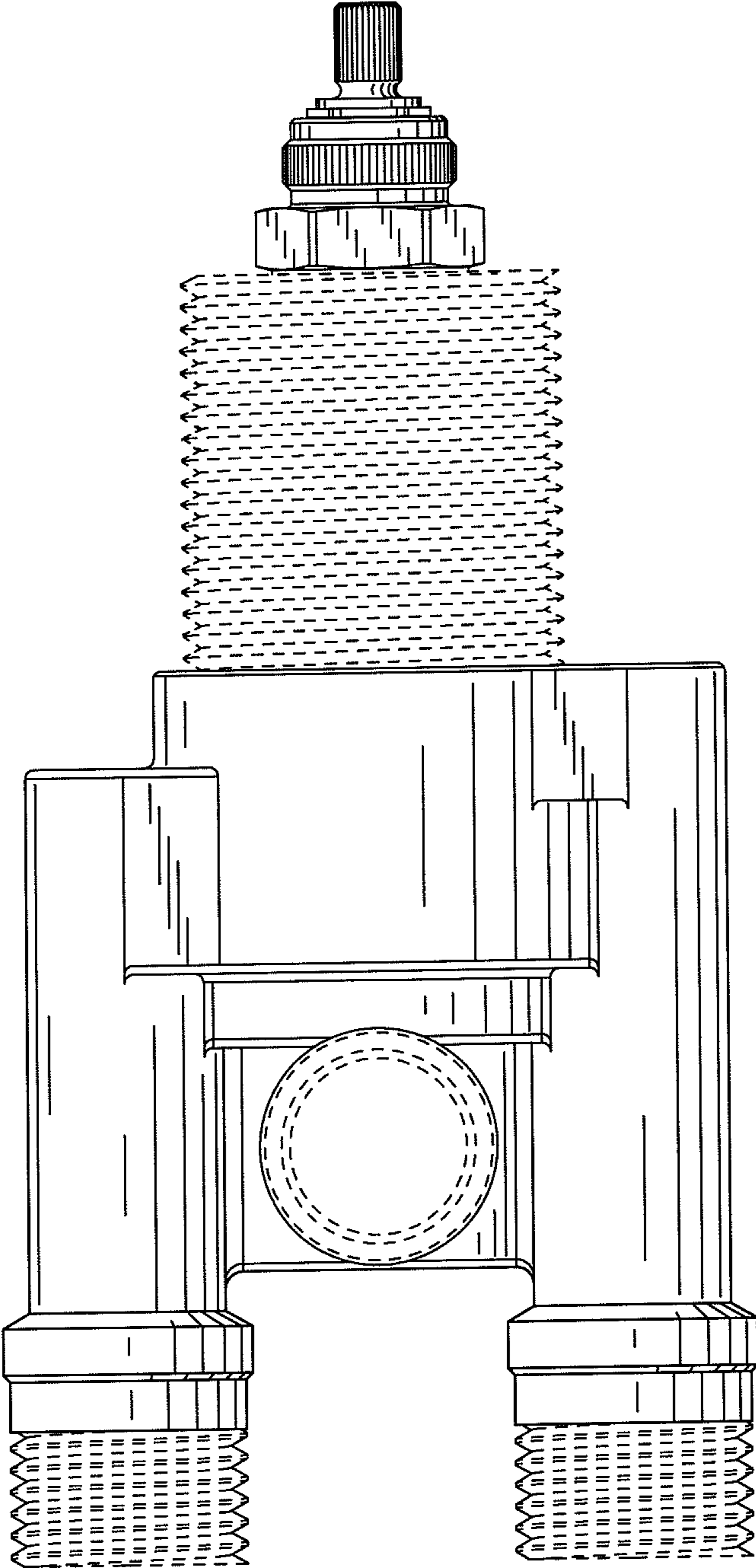


FIG. 2

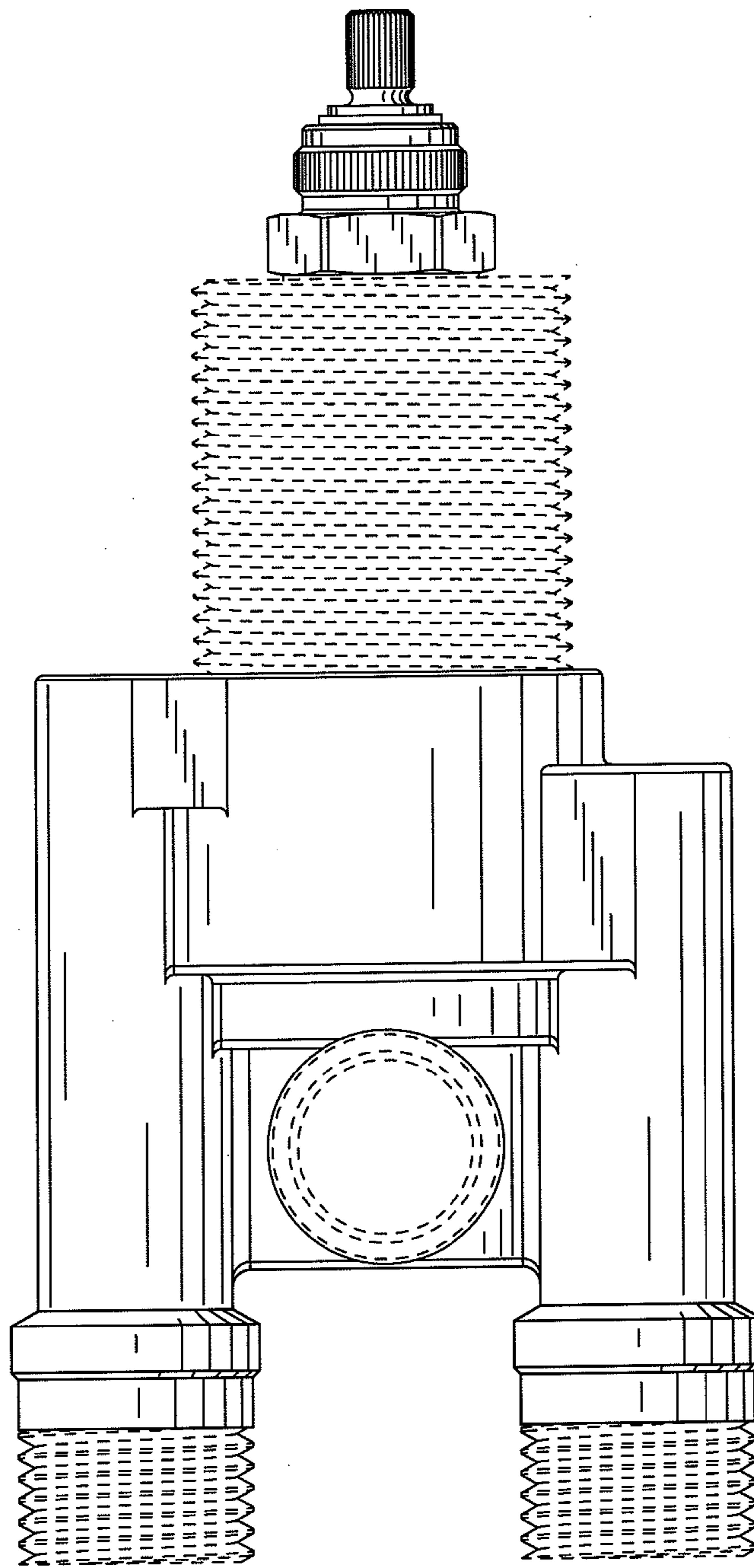


FIG. 3

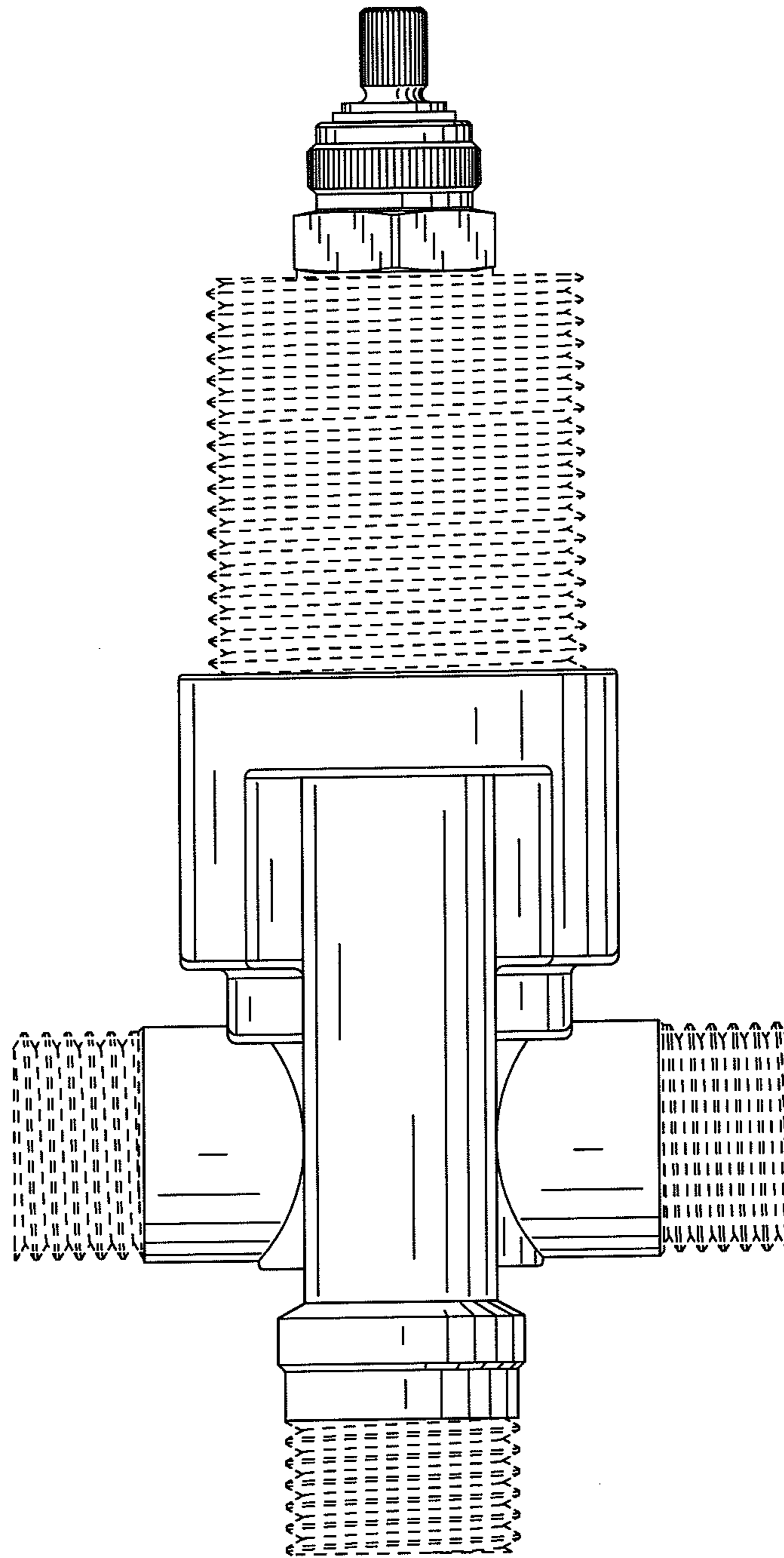


FIG. 4



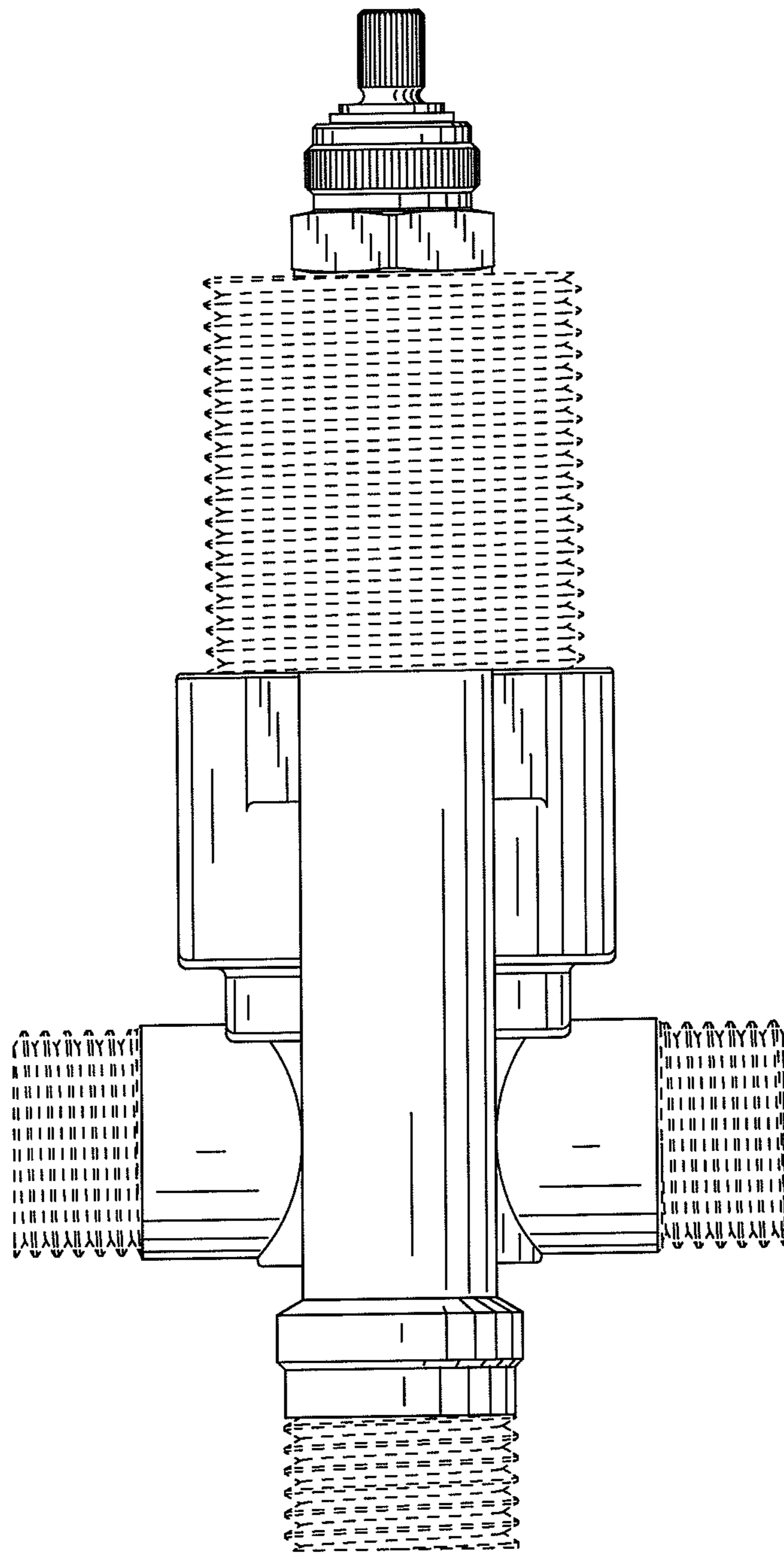


FIG. 5

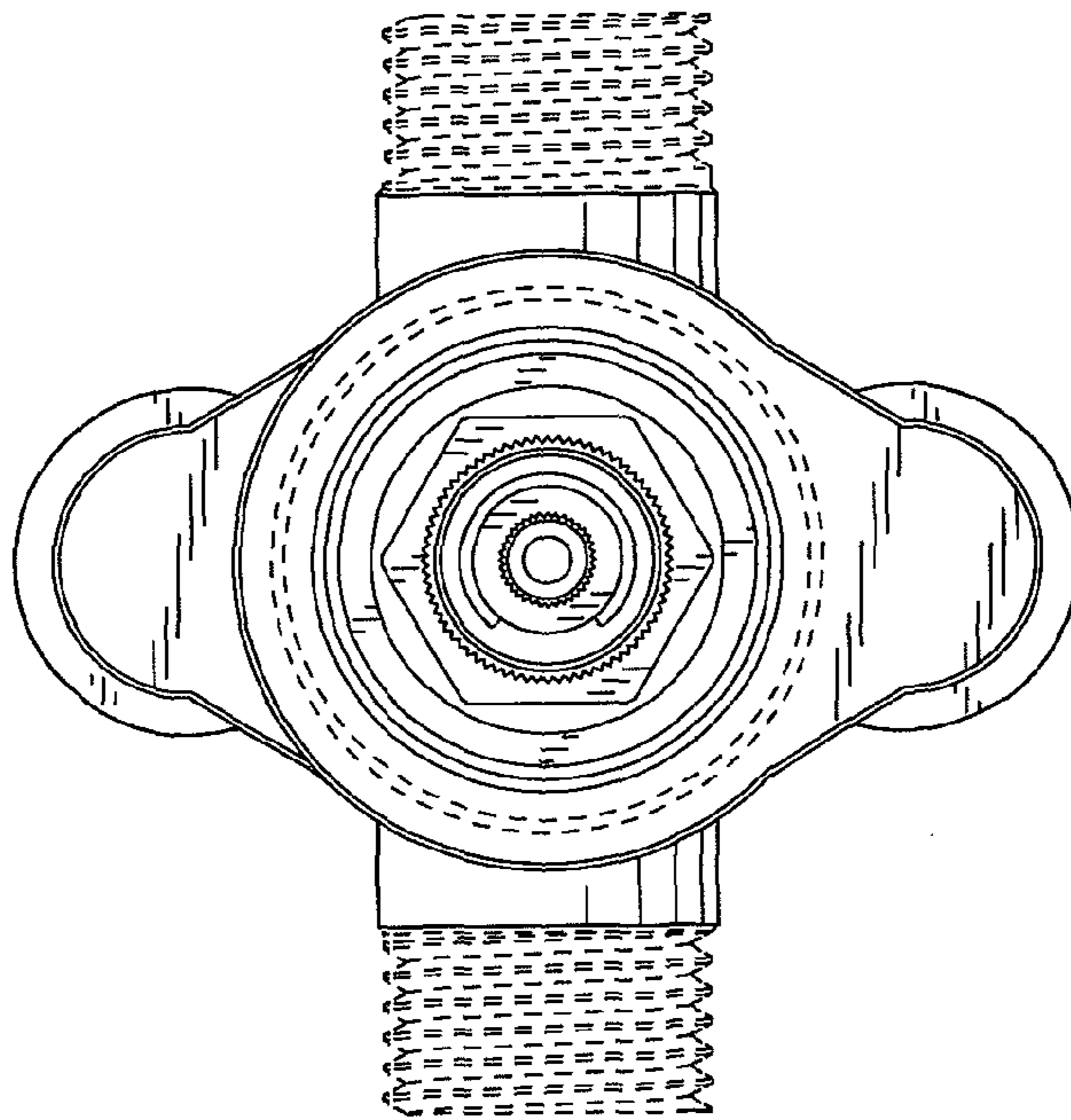


FIG. 6

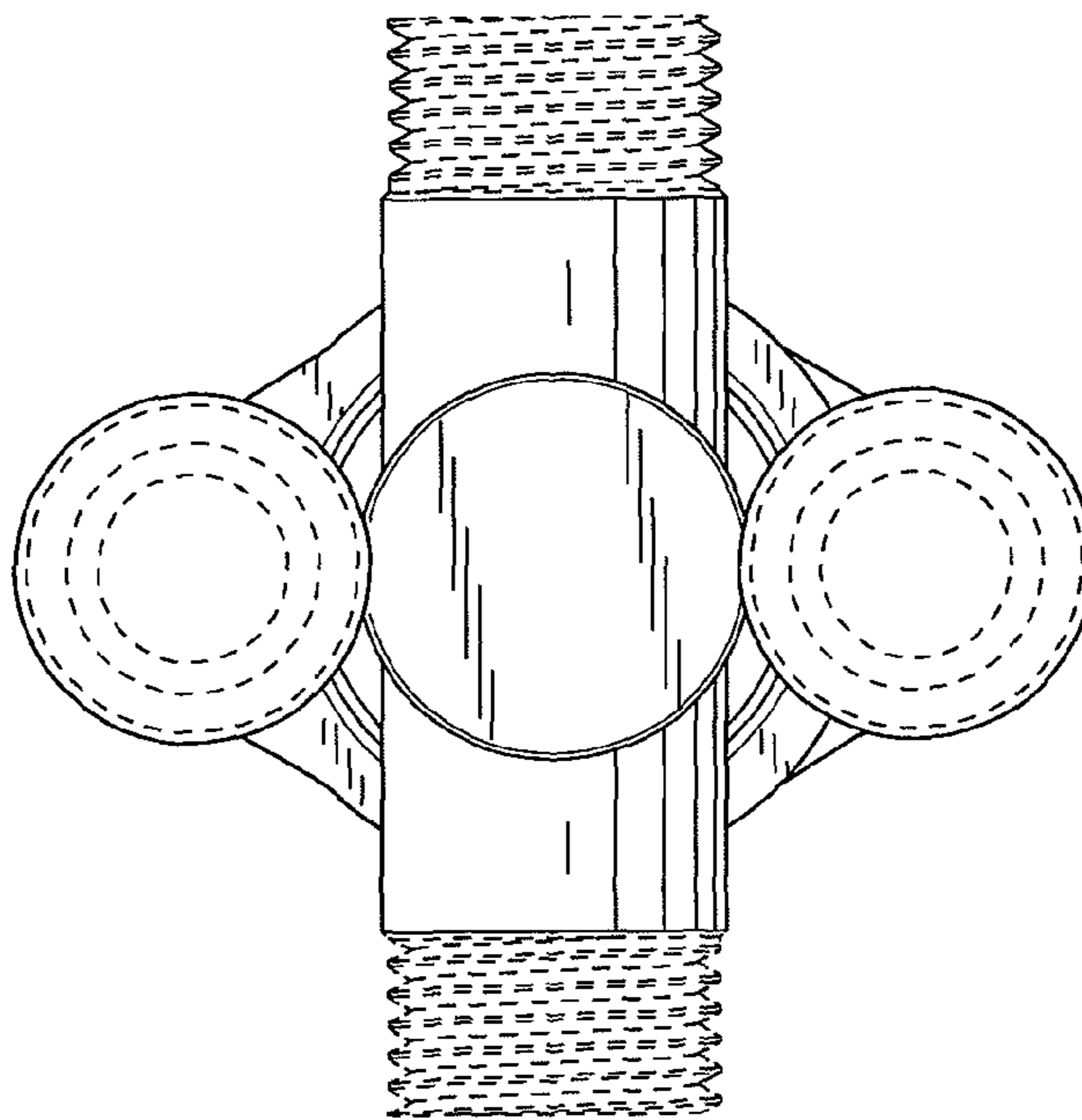


FIG. 7