



US00D700284S

(12) **United States Design Patent**
Hansen

(10) **Patent No.:** **US D700,284 S**

(45) **Date of Patent:** **** Feb. 25, 2014**

(54) **SOLENOID VALVE**

(75) Inventor: **Rune Niemann Hansen**, Odense C (DK)

(73) Assignee: **Danfoss A/S**, Nordborg (DK)

(**) Term: **14 Years**

(21) Appl. No.: **29/420,104**

(22) Filed: **May 4, 2012**

(30) **Foreign Application Priority Data**

Nov. 15, 2011 (EM) 001947573

(51) **LOC (10) Cl.** **23-01**

(52) **U.S. Cl.**
USPC **D23/233**

(58) **Field of Classification Search**
USPC D23/233-237, 244-249; 55/501, 509;
210/447; 251/213; 137/460, 505.37,
137/505.42, 505.46, 505.47, 607
See application file for complete search history.

(56) **References Cited**

U.S. PATENT DOCUMENTS

4,344,456	A *	8/1982	Hostetler	137/403
D267,743	S *	1/1983	Cunningham et al.	D24/129
D362,712	S *	9/1995	Lee	D23/235
D379,845	S *	6/1997	Lee	D23/235
D403,050	S *	12/1998	Schlick	D23/235
D453,206	S *	1/2002	Hsiao	D23/235
D526,046	S *	8/2006	Lin	D23/235
D616,067	S *	5/2010	Cavagna	D23/233
D622,351	S *	8/2010	Foster	D23/233
D623,272	S *	9/2010	Cavagna	D23/233
D655,393	S *	3/2012	Whitaker	D23/233

* cited by examiner

Primary Examiner — Cynthia Ramirez

(74) *Attorney, Agent, or Firm* — McCormick, Paulding & Huber LLP

(57) **CLAIM**

The ornamental design for a solenoid valve, as shown and described.

DESCRIPTION

FIG. 1 is a front, top, left-hand side perspective view of a solenoid valve comprising a first embodiment of a new, original and ornamental design;

FIG. 2 is a front view of a solenoid valve comprising the first embodiment of the new, original and ornamental design;

FIG. 3 is a rear view of a solenoid valve comprising the first embodiment of the new, original and ornamental design;

FIG. 4 is a left-hand side view of a solenoid valve comprising the first embodiment of the new, original and ornamental design;

FIG. 5 is a right-hand side view of a solenoid valve comprising the first embodiment of the new, original and ornamental design;

FIG. 6 is a top view of a solenoid valve comprising the first embodiment of the new, original and ornamental design;

FIG. 7 is a bottom view of a solenoid valve comprising the first embodiment of the new, original and ornamental design;

FIG. 8 is a front, top, left-hand side perspective view of a solenoid valve comprising a second embodiment of a new, original and ornamental design;

FIG. 9 is a front view of a solenoid valve comprising the second embodiment of the new, original and ornamental design;

FIG. 10 is a rear view of a solenoid valve comprising the second embodiment of the new, original and ornamental design;

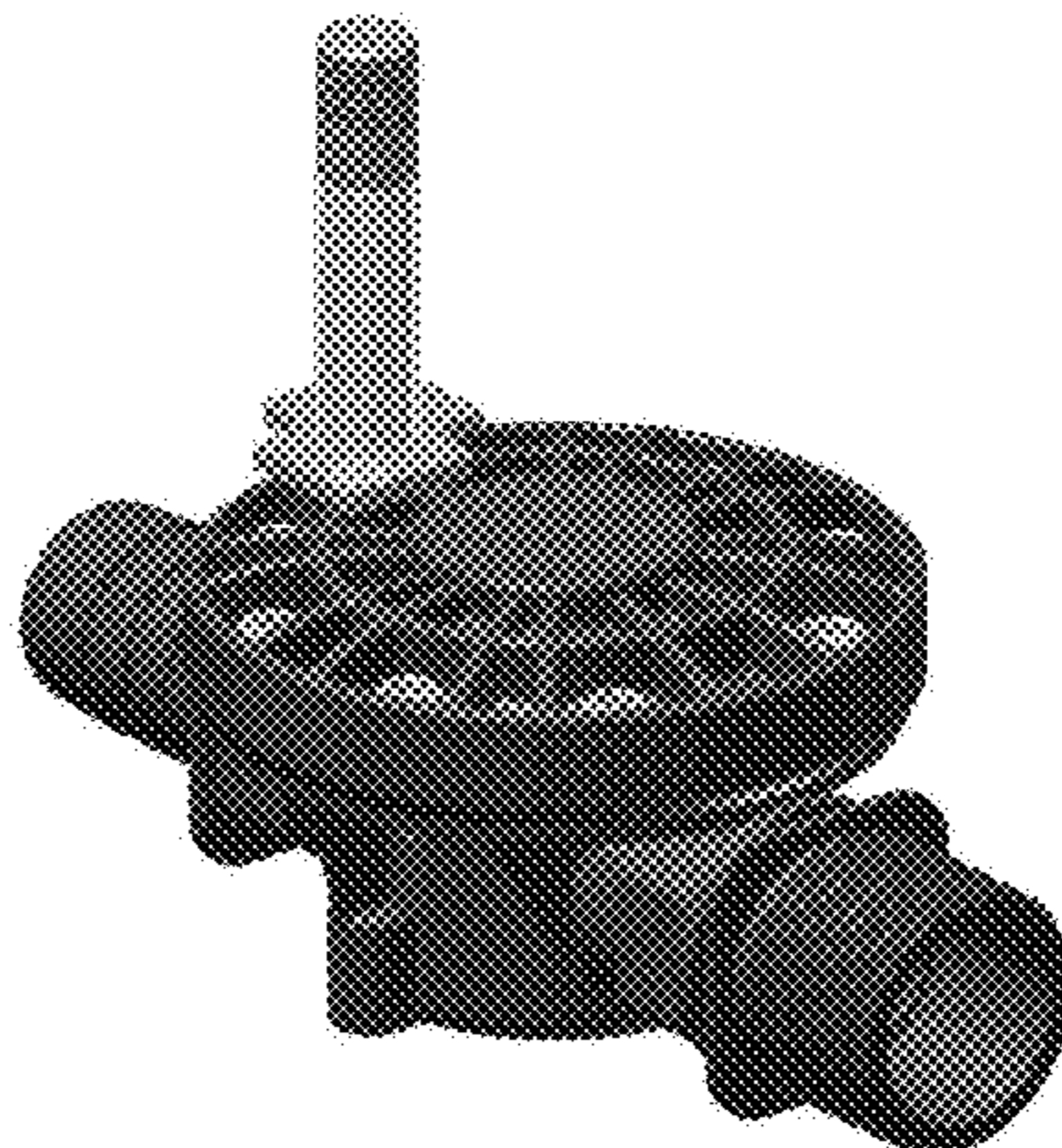
FIG. 11 is a left-hand side view of a solenoid valve comprising the second embodiment of the new, original and ornamental design;

FIG. 12 is a right-hand side view of a solenoid valve comprising the second embodiment of the new, original and ornamental design;

FIG. 13 is a top view of a solenoid valve comprising the second embodiment of the new, original and ornamental design; and,

FIG. 14 is a bottom view of a solenoid valve comprising the second embodiment of the new, original and ornamental design.

1 Claim, 6 Drawing Sheets



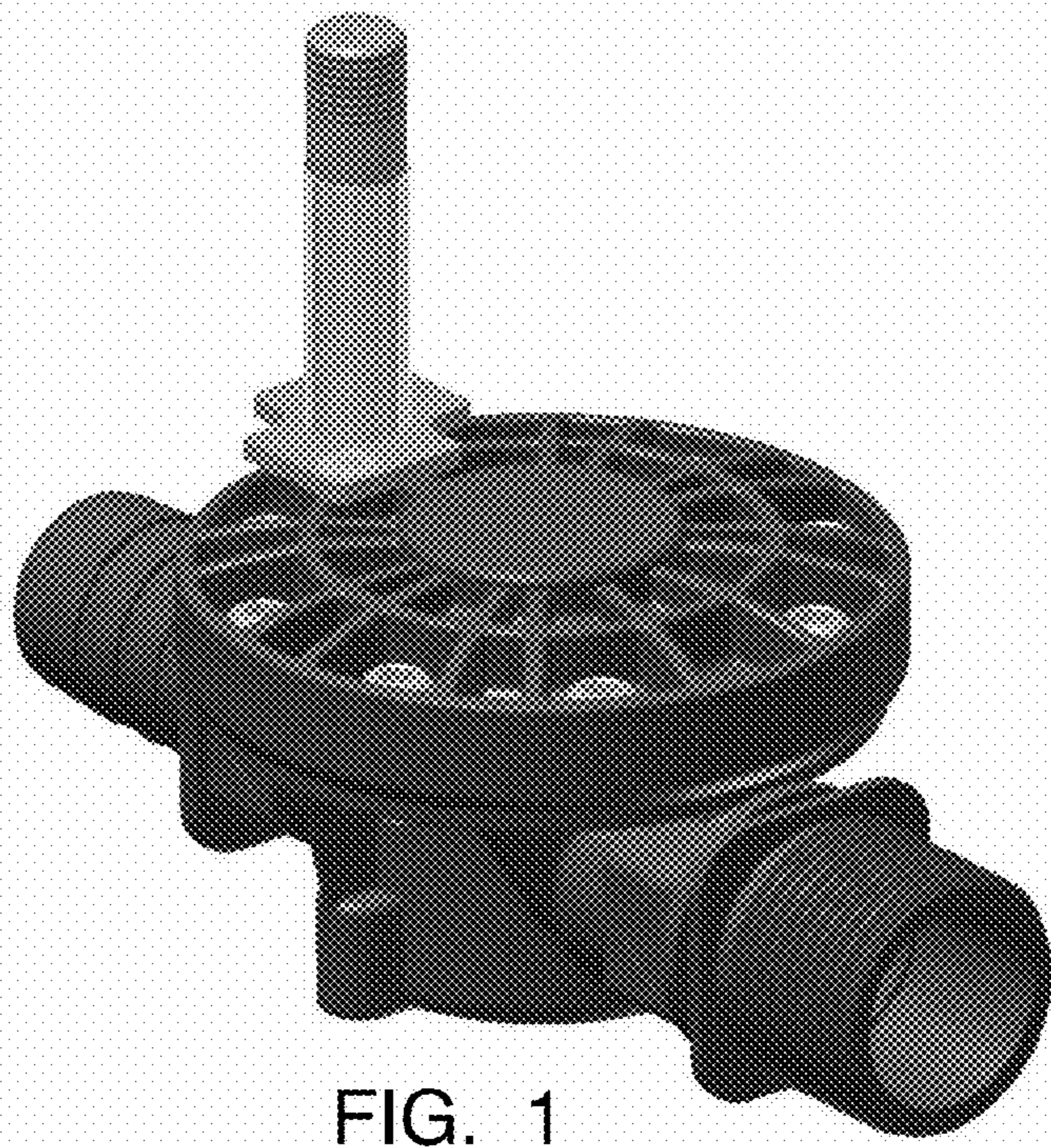


FIG. 1

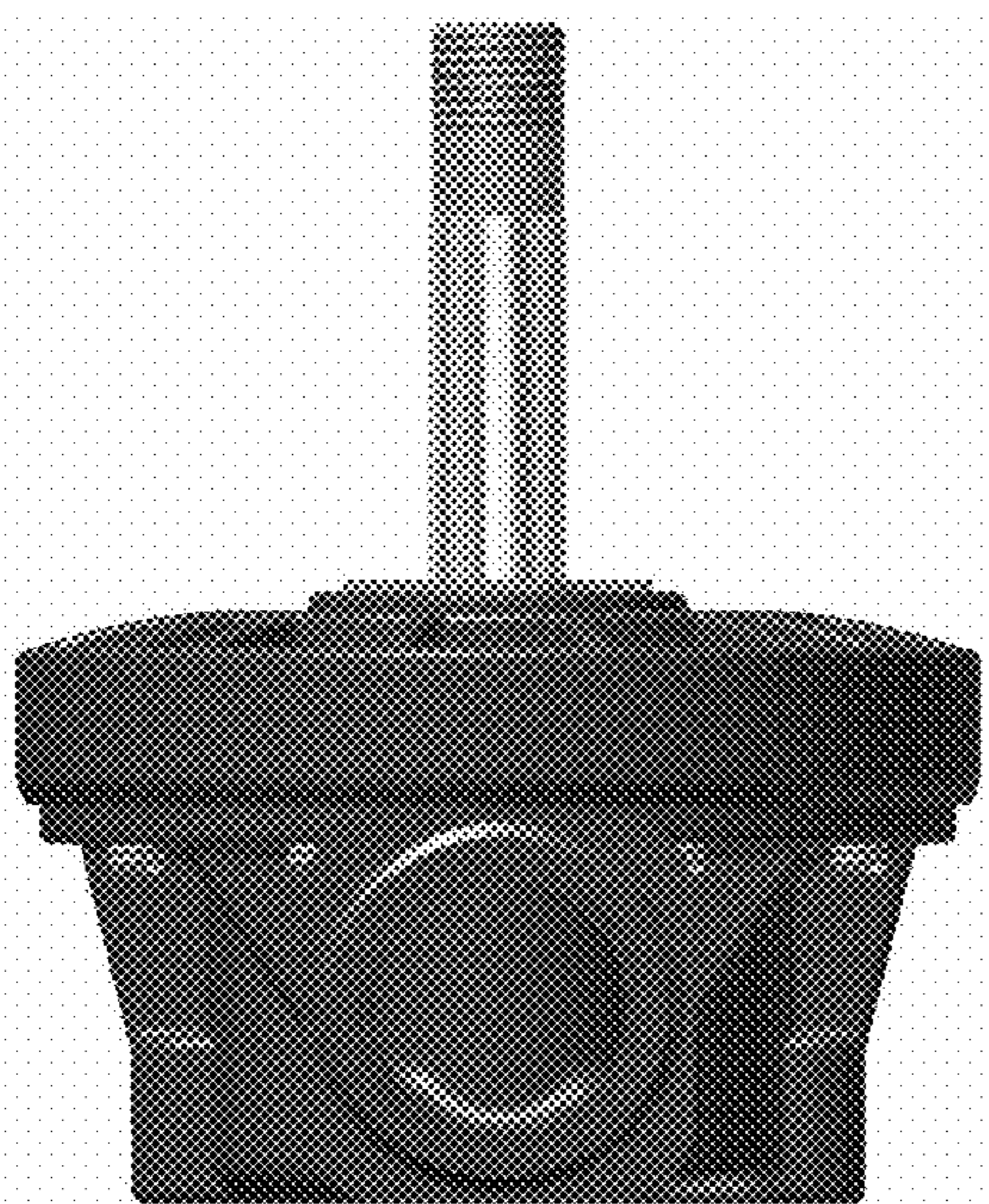


FIG. 2

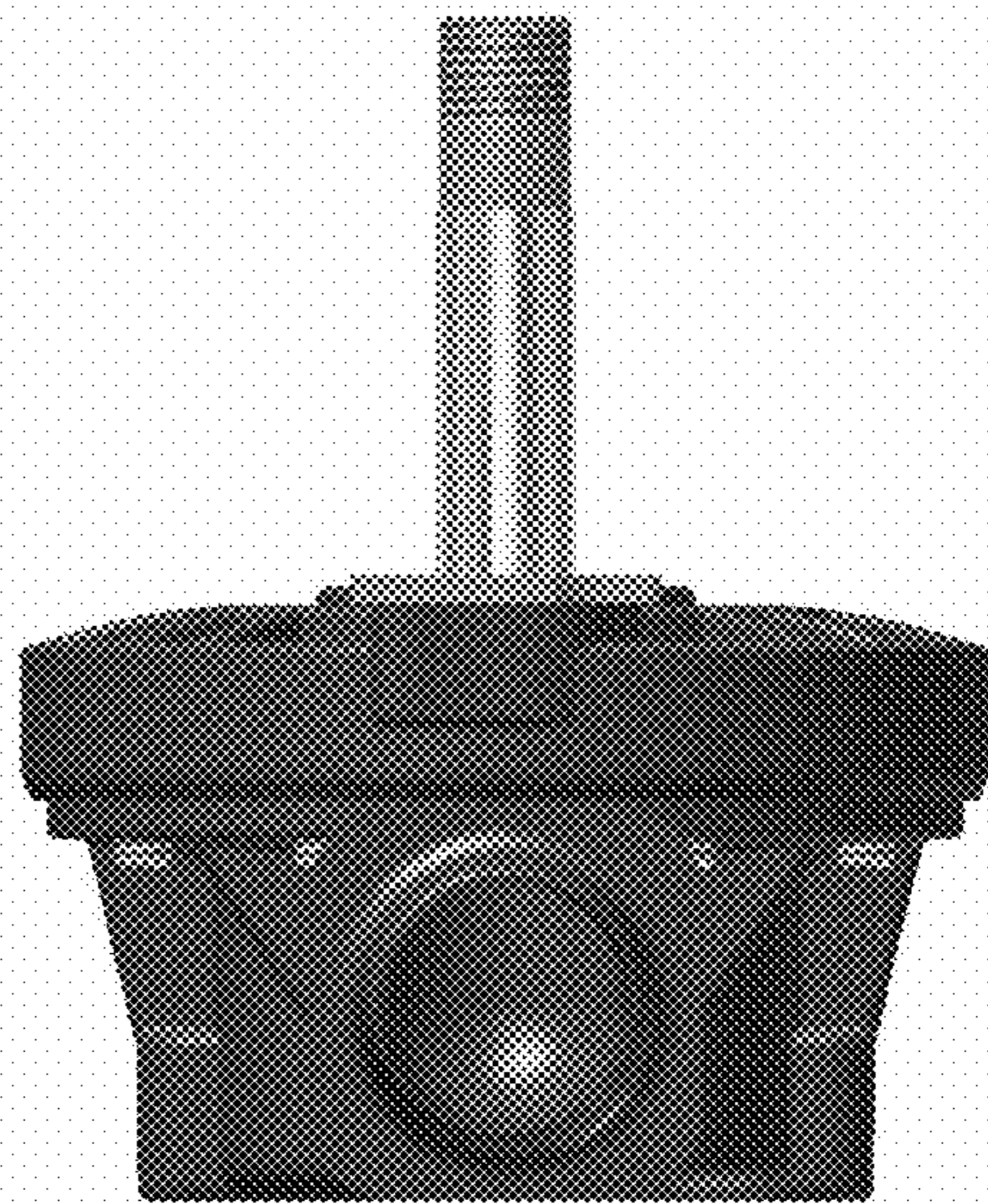


FIG. 3

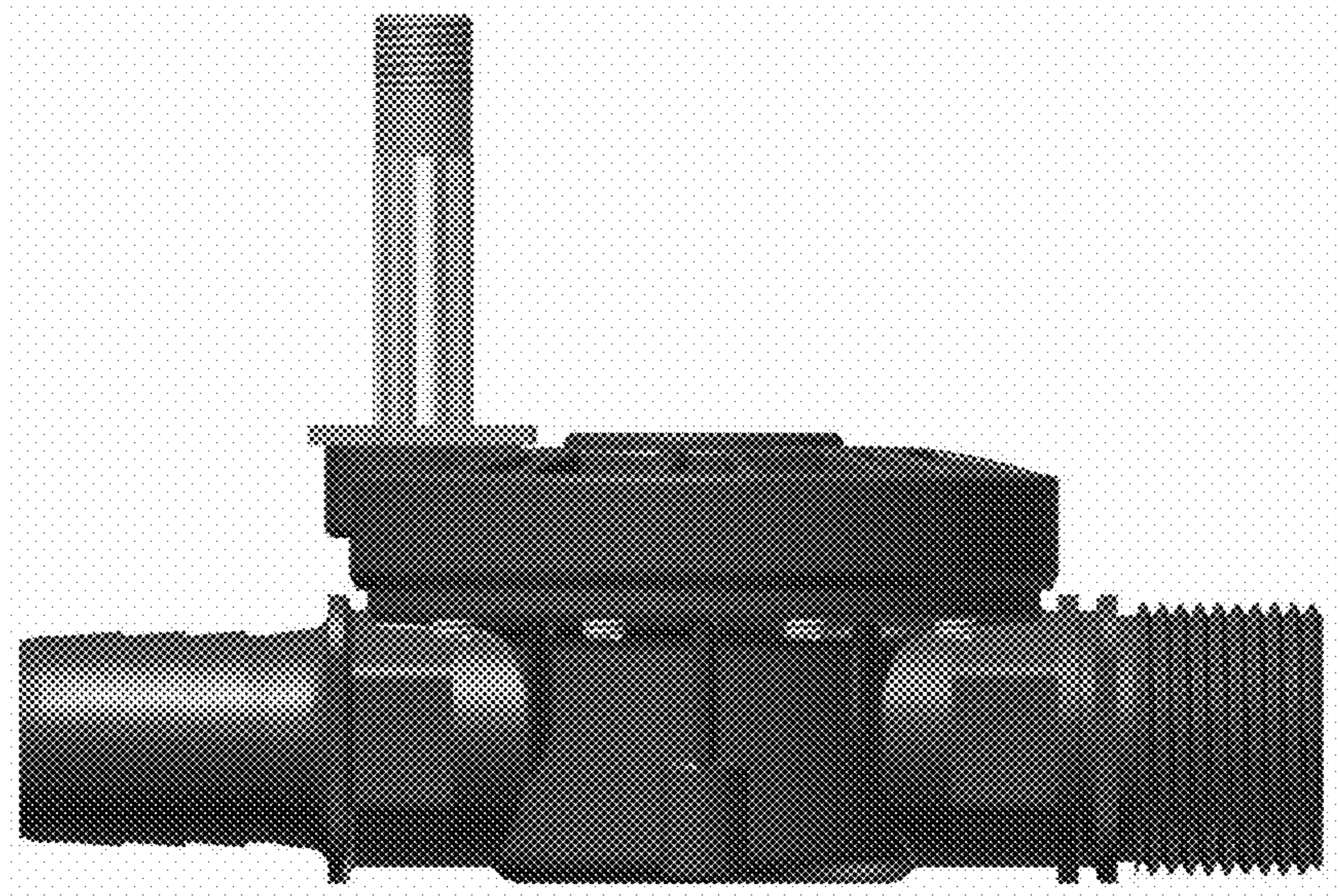


FIG. 4

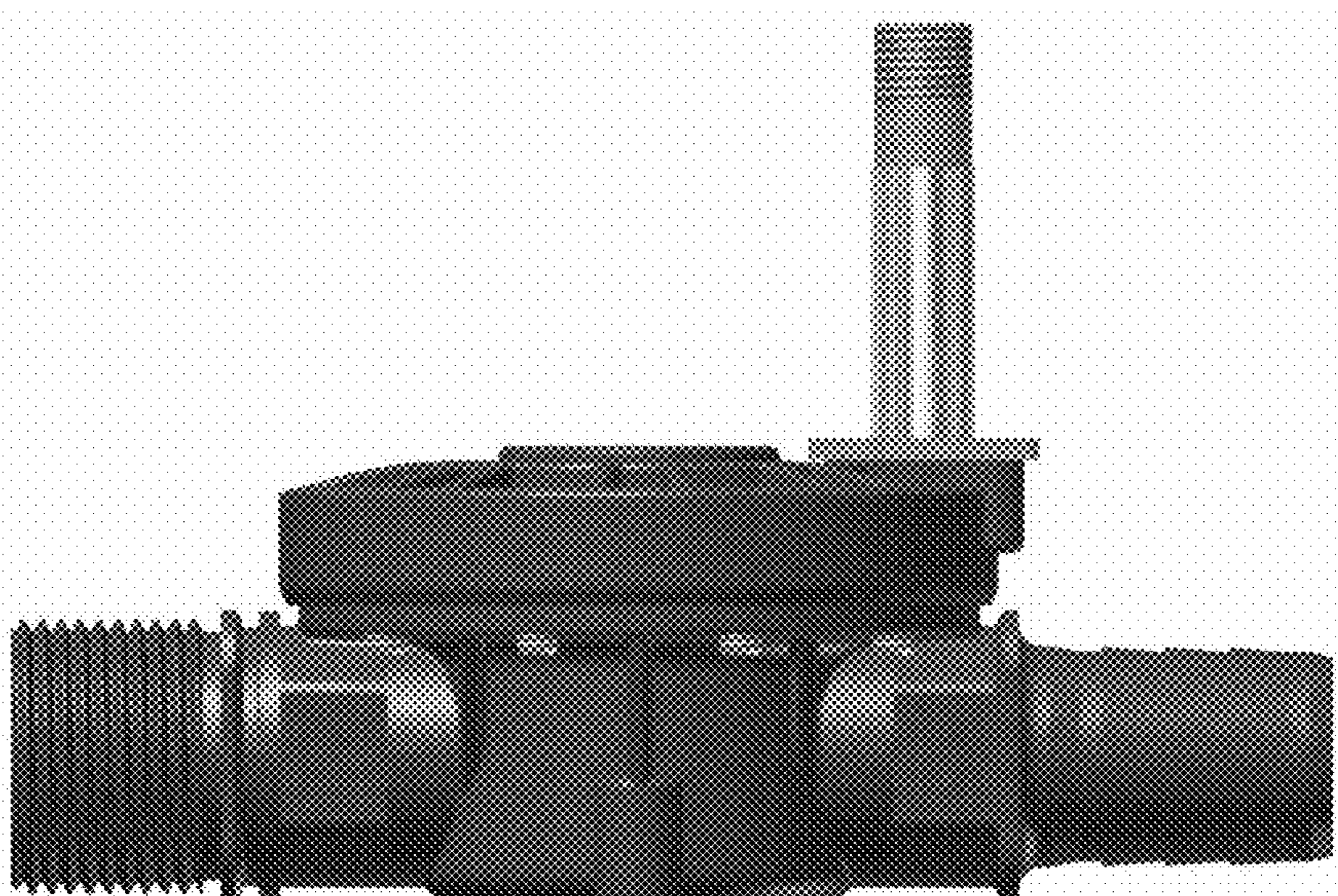


FIG. 5



FIG. 6

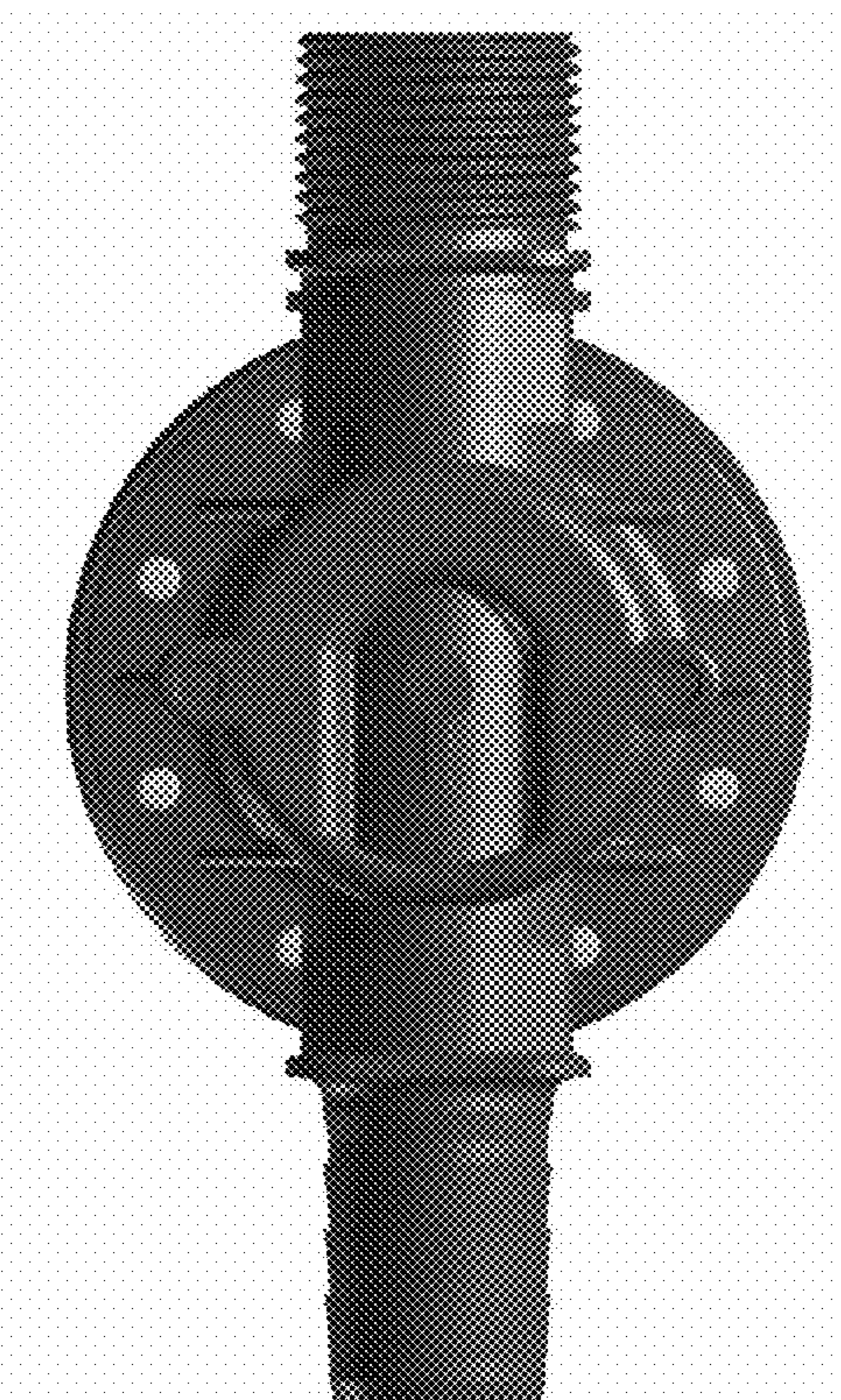


FIG. 7

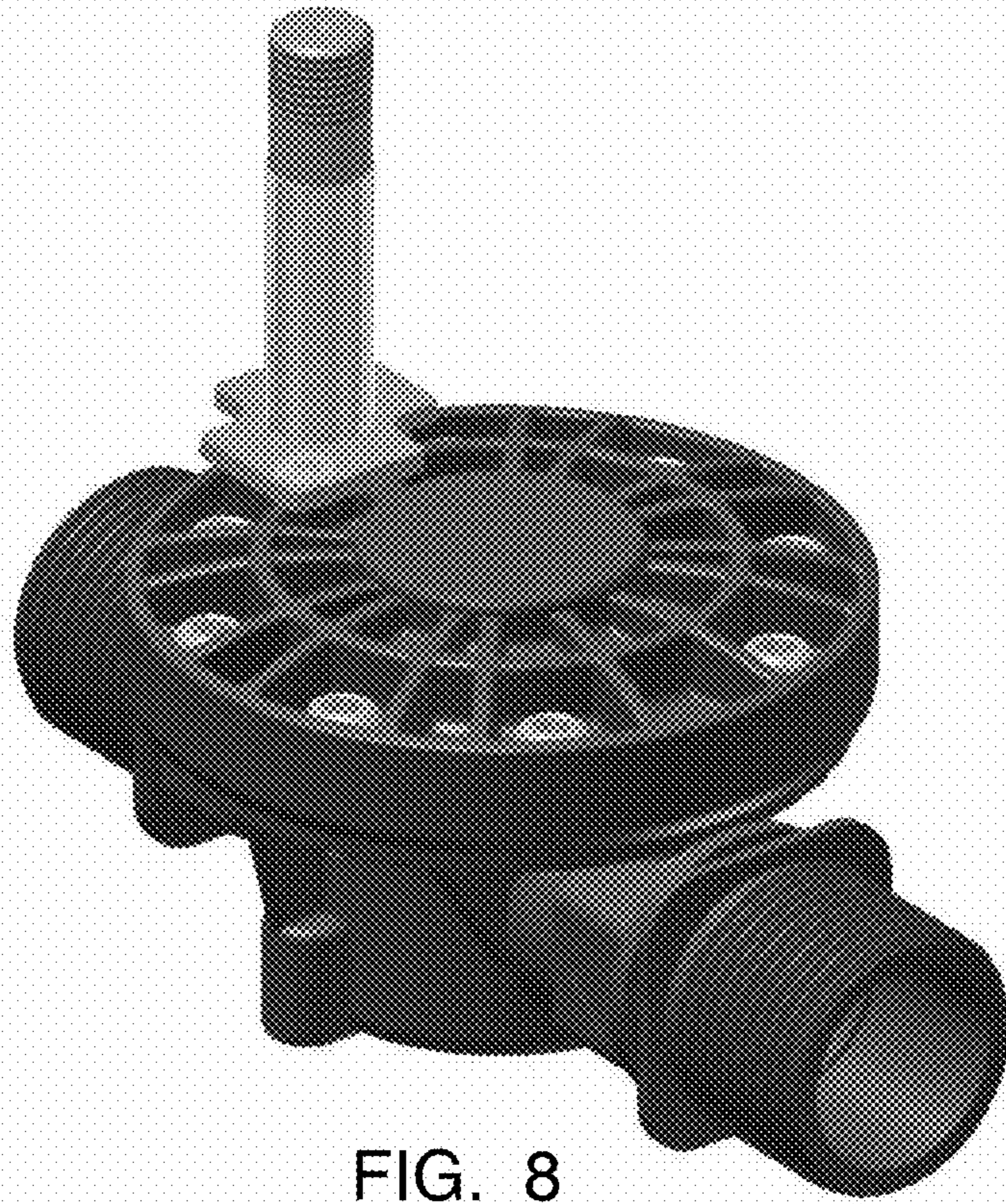


FIG. 8

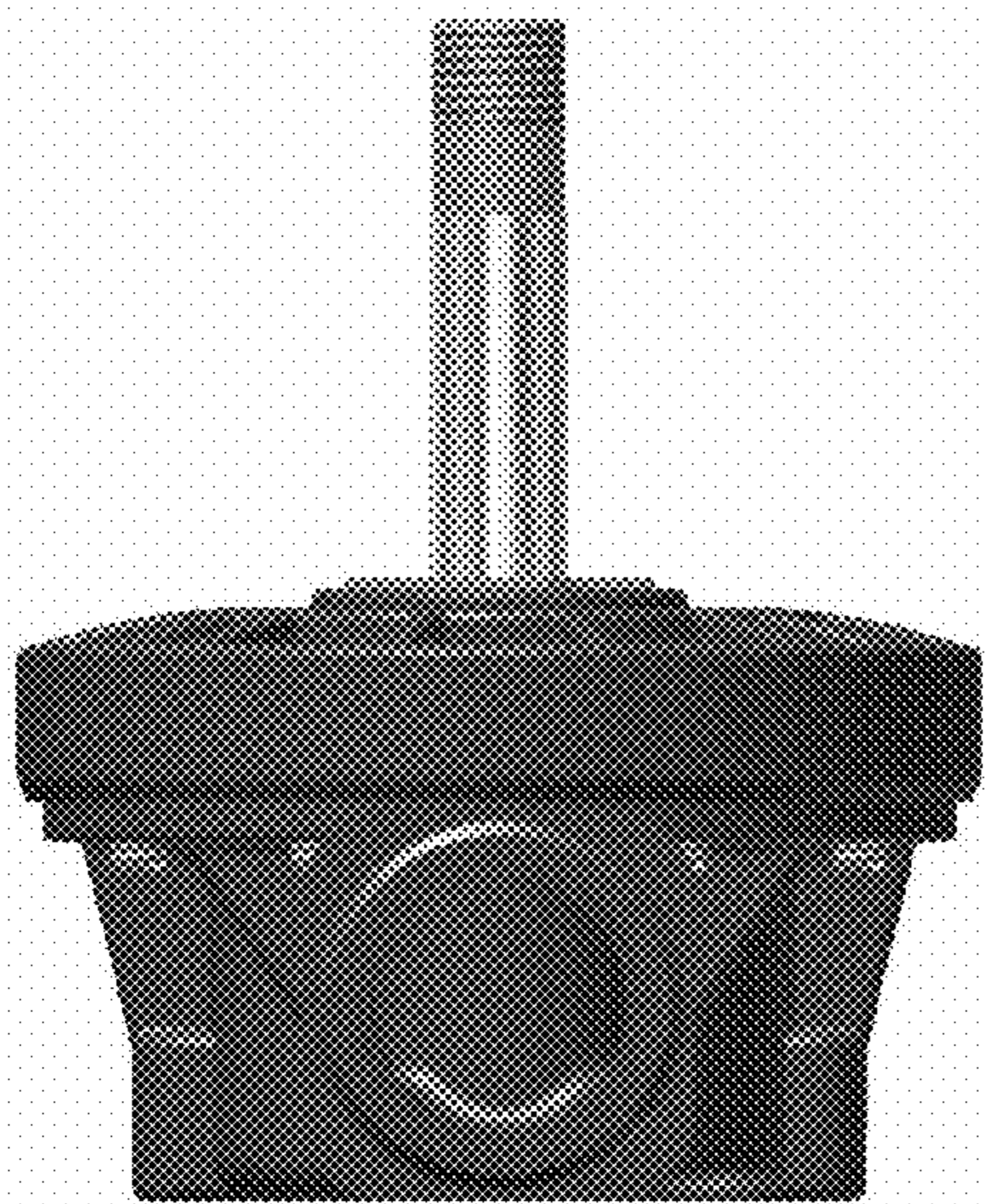


FIG. 9

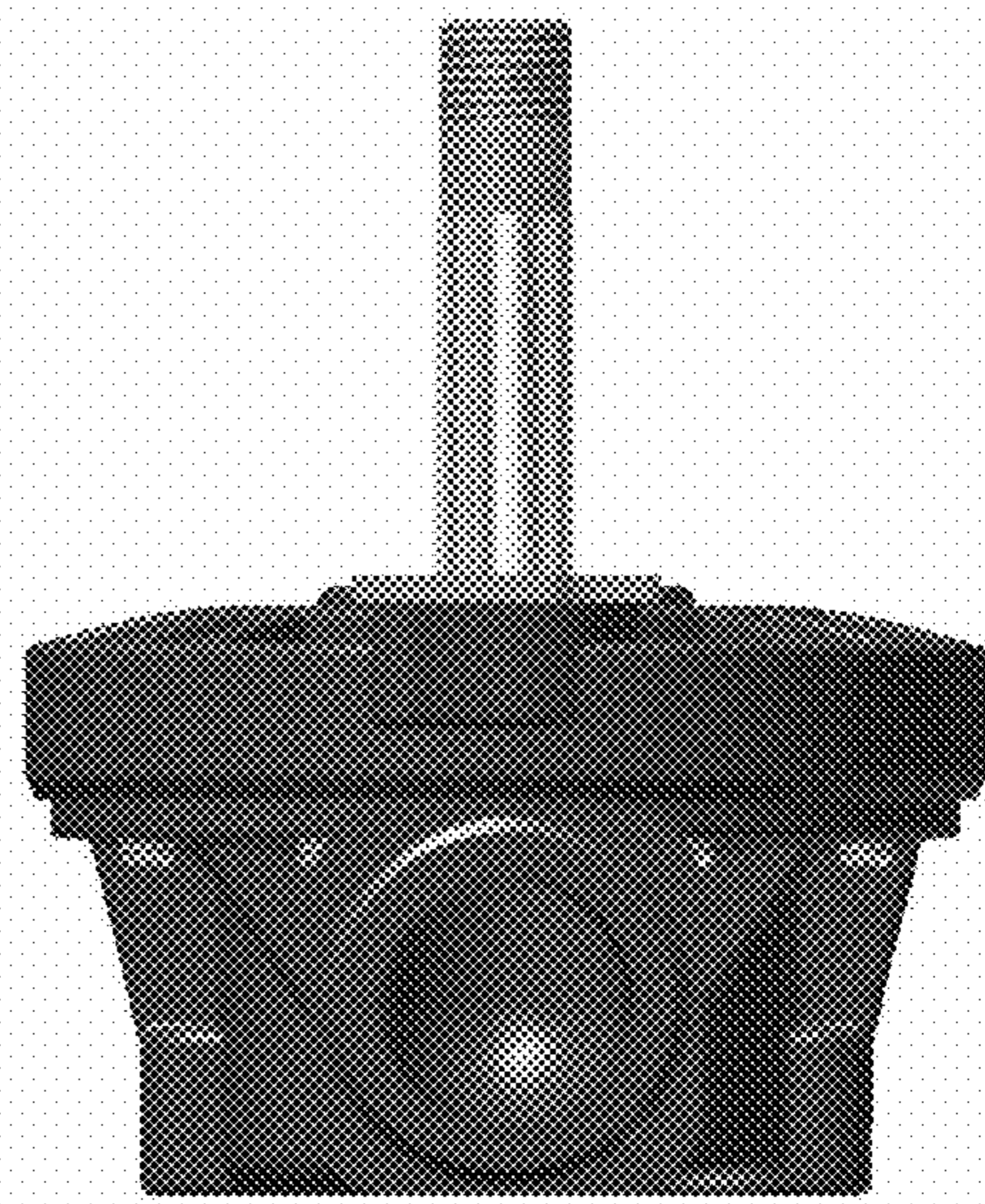


FIG. 10

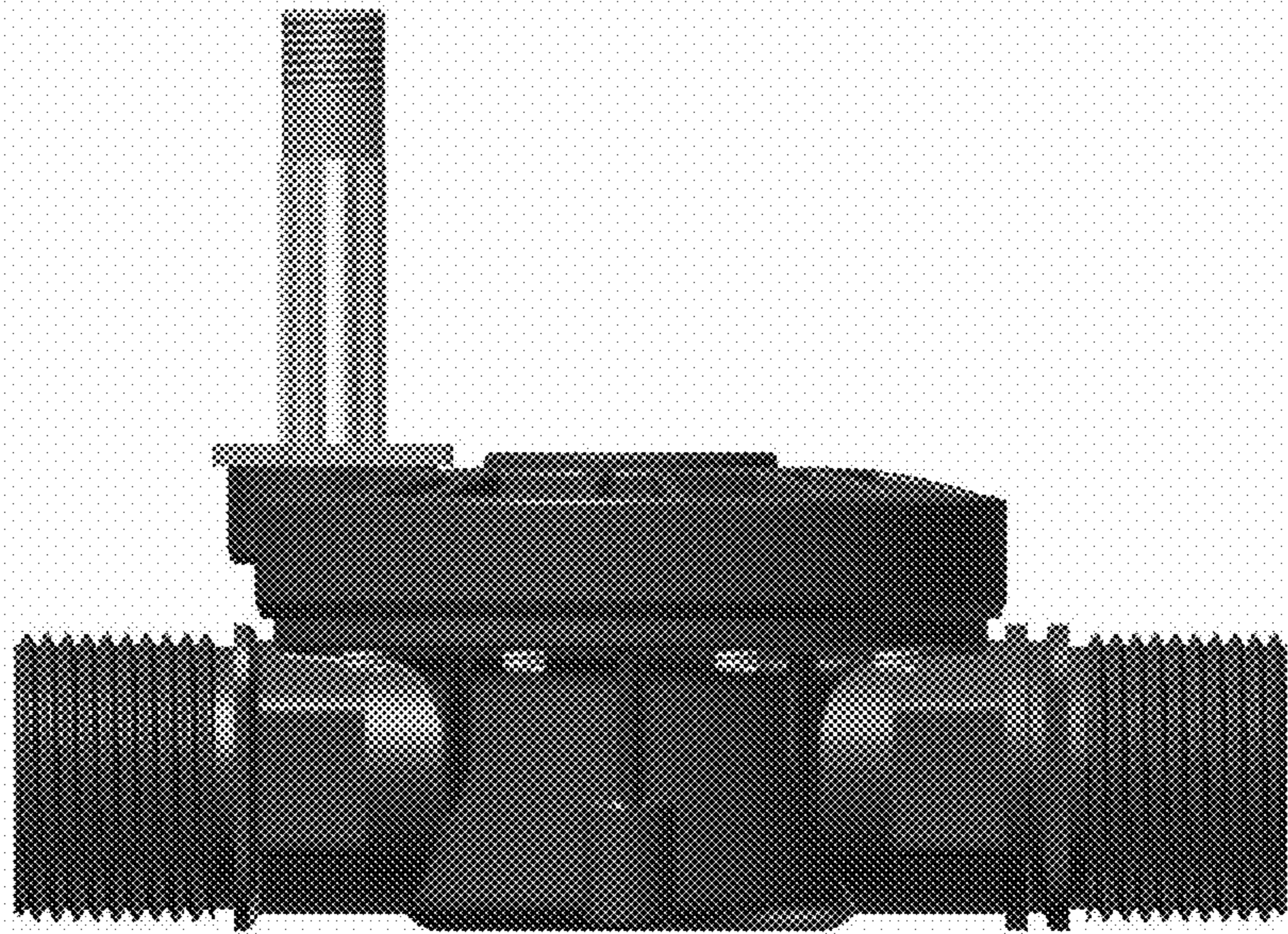


FIG. 11

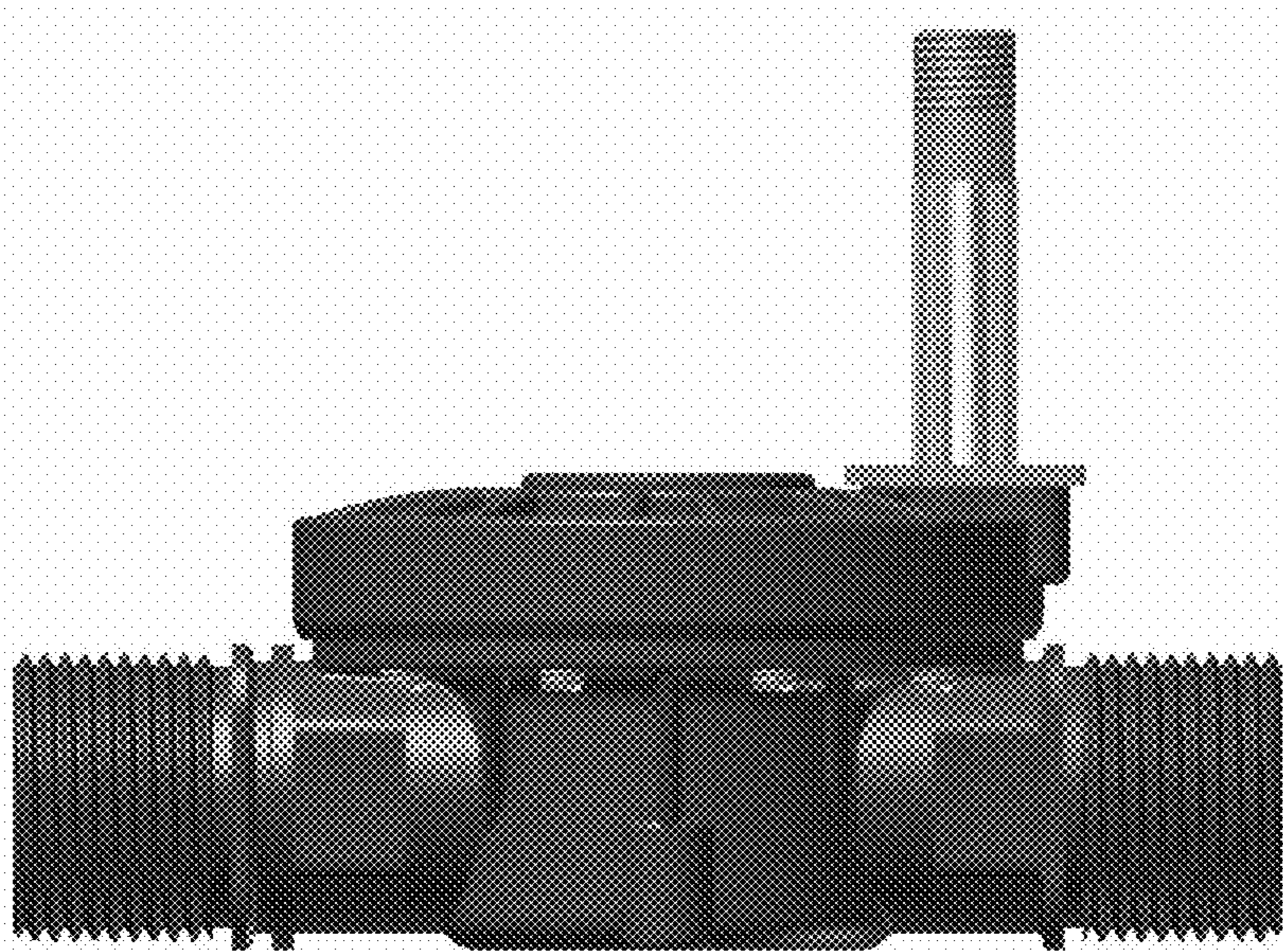


FIG. 12

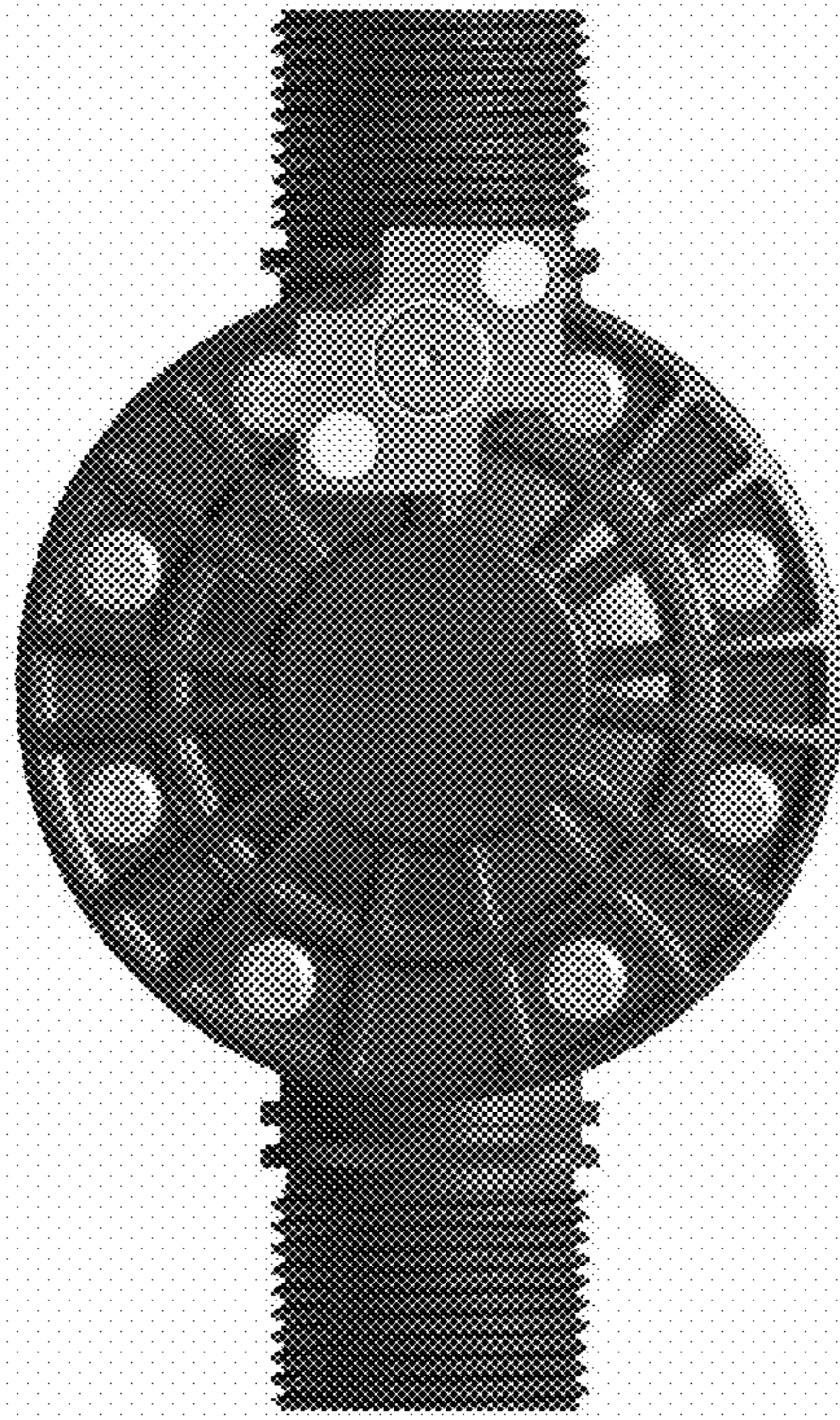


FIG. 13

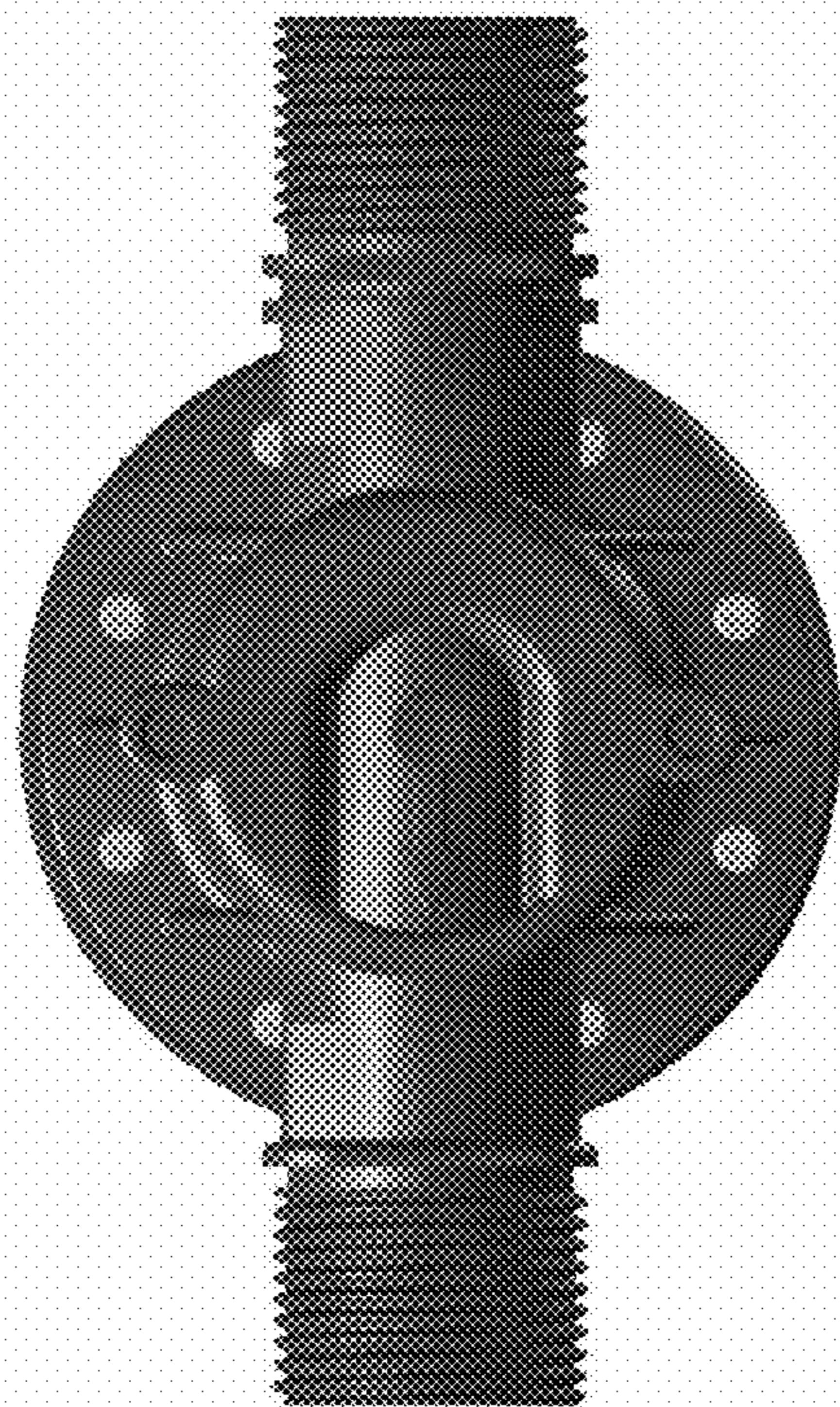


FIG. 14