



US00D700283S

(12) **United States Design Patent**
Park et al.

(10) **Patent No.:** **US D700,283 S**

(45) **Date of Patent:** **** Feb. 25, 2014**

(54) **HOUSING FOR A WATER TREATMENT SYSTEM CONTROL VALVE**

(75) Inventors: **Stuart L. Park**, Chardon, OH (US);
Francis A. Red, Parma, OH (US)

(73) Assignee: **Kinetico Incorporated**, Newbury, OH (US)

(**) Term: **14 Years**

(21) Appl. No.: **29/405,219**

(22) Filed: **Oct. 31, 2011**

(51) **LOC (10) Cl.** **23-01**

(52) **U.S. Cl.**
USPC **D23/233**

(58) **Field of Classification Search**
USPC D23/233–233, 244–249; 137/624.14,
137/624.18, 332, 625.46, 557; 251/59,
251/30.05; 210/87, 88, 89, 190–192, 288,
210/662

See application file for complete search history.

(56) **References Cited**

U.S. PATENT DOCUMENTS

3,208,476	A *	9/1965	Clack	137/599.15
3,269,410	A	8/1966	Alvarado et al.	
D215,438	S *	10/1969	Livermore	D23/233
3,687,269	A *	8/1972	Fritz et al.	144/250.16
3,891,552	A *	6/1975	Prior et al.	210/88
4,298,025	A	11/1981	Prior et al.	
4,337,153	A	6/1982	Prior	
D271,421	S *	11/1983	Fetterman	D24/129
4,427,549	A	1/1984	Brown et al.	
4,492,247	A	1/1985	Lockwood	
4,693,814	A	9/1987	Brown	
5,022,994	A	6/1991	Avery et al.	
5,135,168	A	8/1992	Wang	

5,490,932	A	2/1996	Hansen et al.	
5,628,899	A	5/1997	Vaughan	
5,910,244	A *	6/1999	Stamos et al.	210/138
6,189,556	B1	2/2001	Blake et al.	
6,214,214	B1	4/2001	Hansen et al.	
D495,030	S	8/2004	Lillback	
D499,107	S	11/2004	Park	
D499,170	S *	11/2004	Park	D23/233
D511,599	S	11/2005	Lillback	
D518,876	S	4/2006	Park	
D538,890	S *	3/2007	Park	D23/233
D674,467	S *	1/2013	Weingarten	D23/233
D674,468	S *	1/2013	Weingarten	D23/233
D687,124	S *	7/2013	Weingarten	D23/233

* cited by examiner

Primary Examiner — Cynthia Ramirez

(74) *Attorney, Agent, or Firm* — Tarolli, Sundheim, Covell & Tummino L.L.P.

(57) **CLAIM**

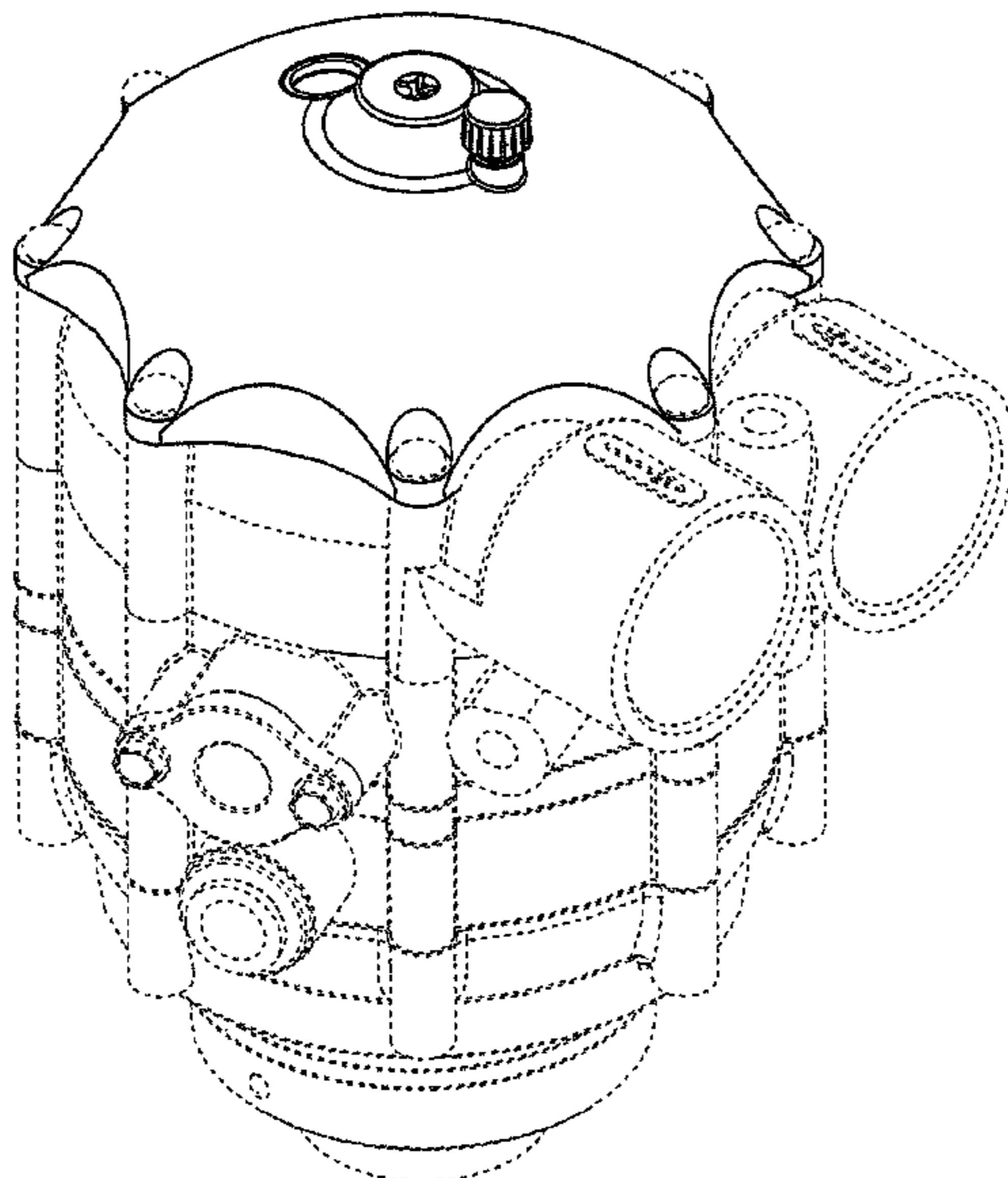
We claim the ornamental design for a housing for a water treatment system control valve, as shown and described.

DESCRIPTION

FIG. 1 is a perspective view of housing for a water treatment system control valve showing our new design; FIG. 2 is a rear elevational view thereof; FIG. 3 is a left side elevational view thereof; FIG. 4 is a front elevational view thereof; FIG. 5 is a right side elevational view thereof; FIG. 6 is a top plan view thereof; and, FIG. 7 is a bottom plan view thereof.

The broken line showing in the figures is included for the purpose of illustrating portions of the housing for a water treatment system control valve and forms no part of the claimed design.

1 Claim, 4 Drawing Sheets



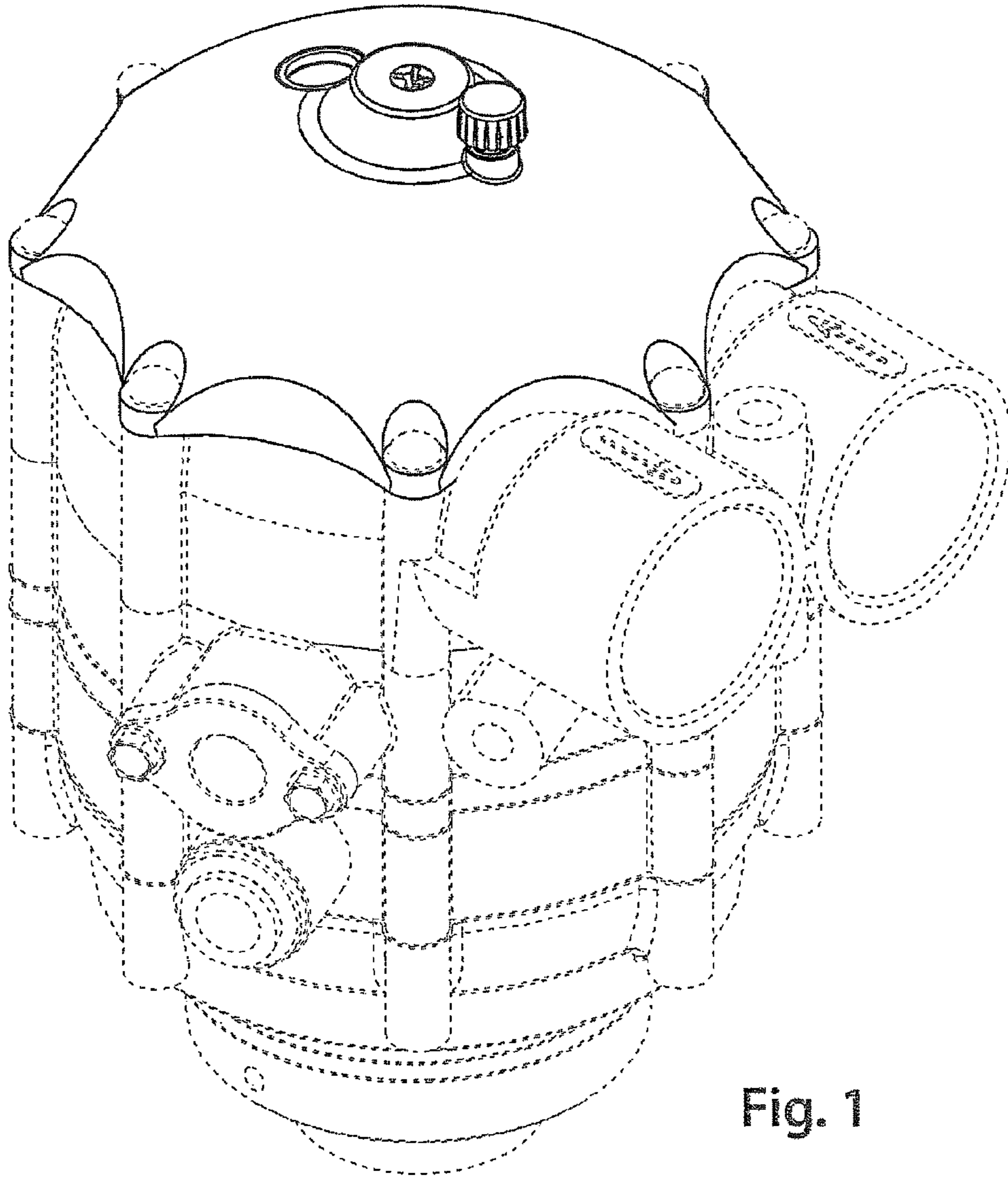


Fig. 1

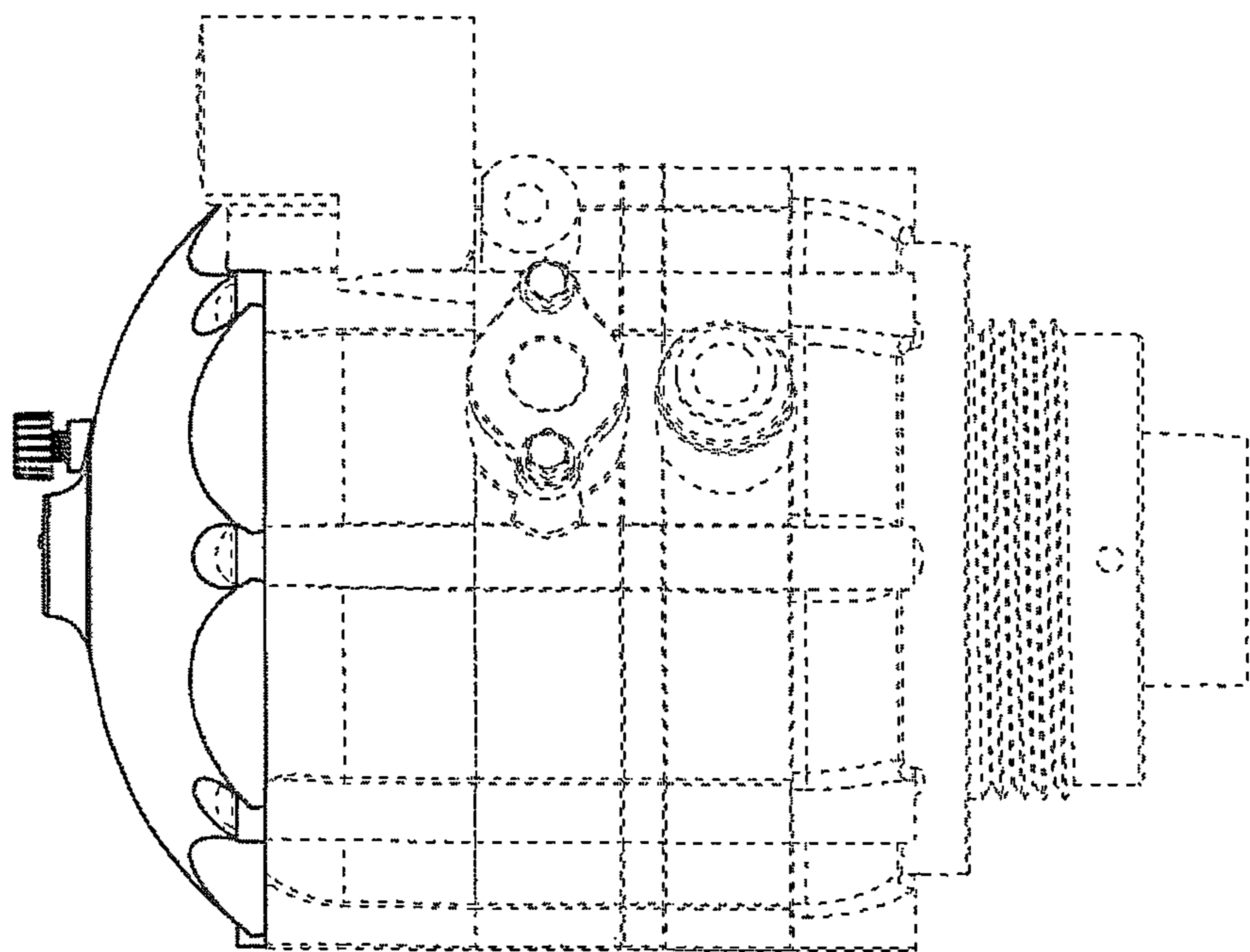


Fig. 2

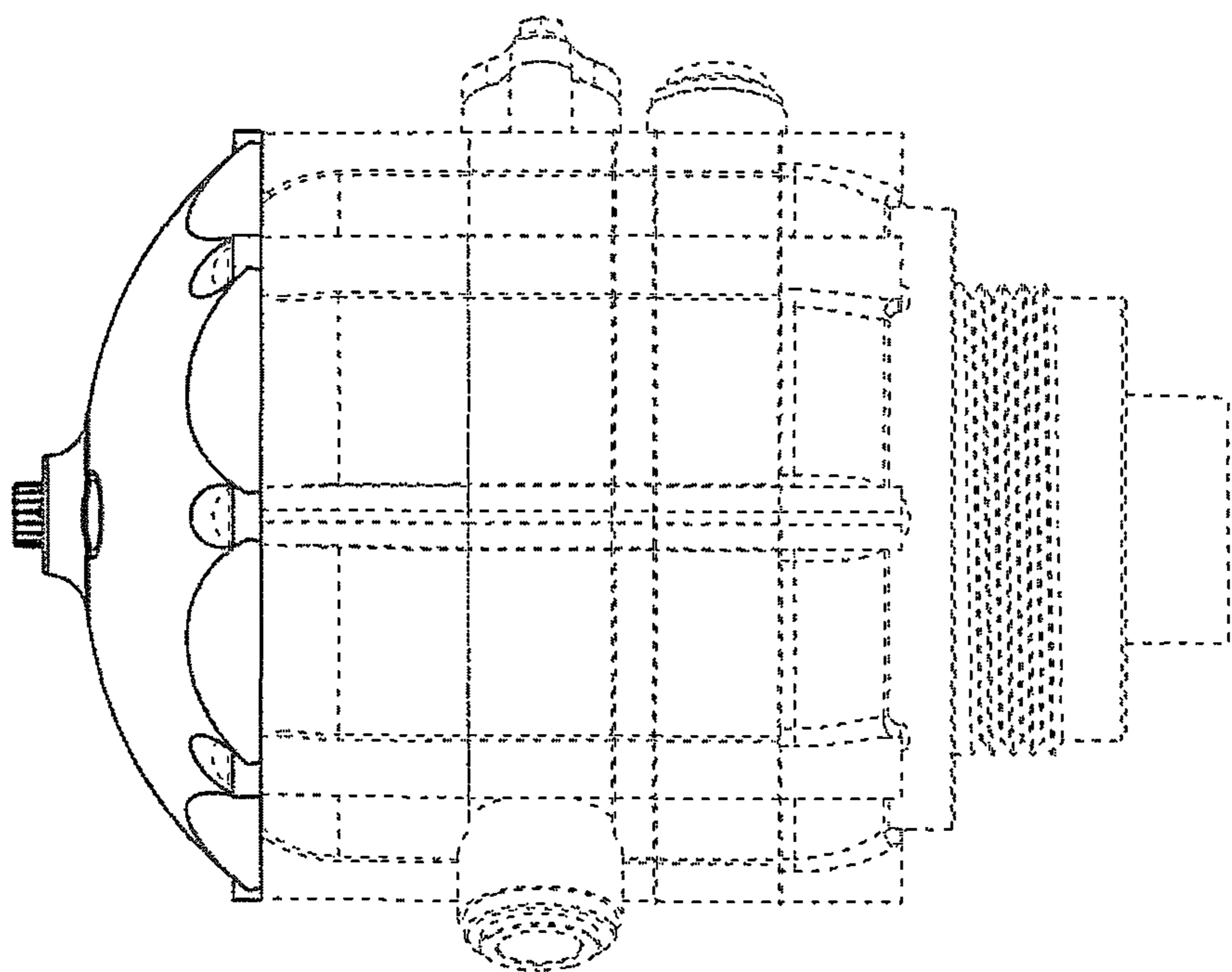


Fig. 3

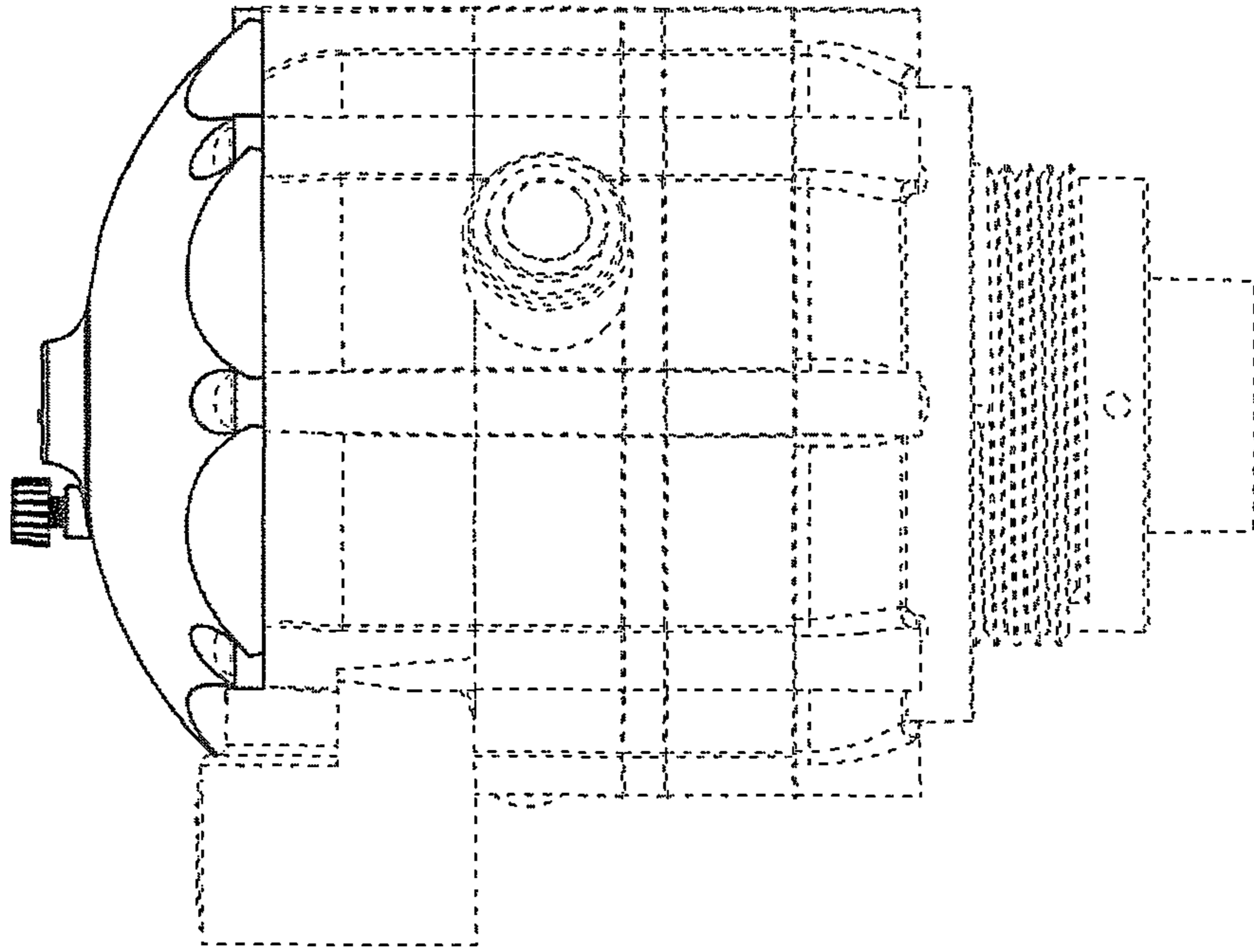


Fig. 5

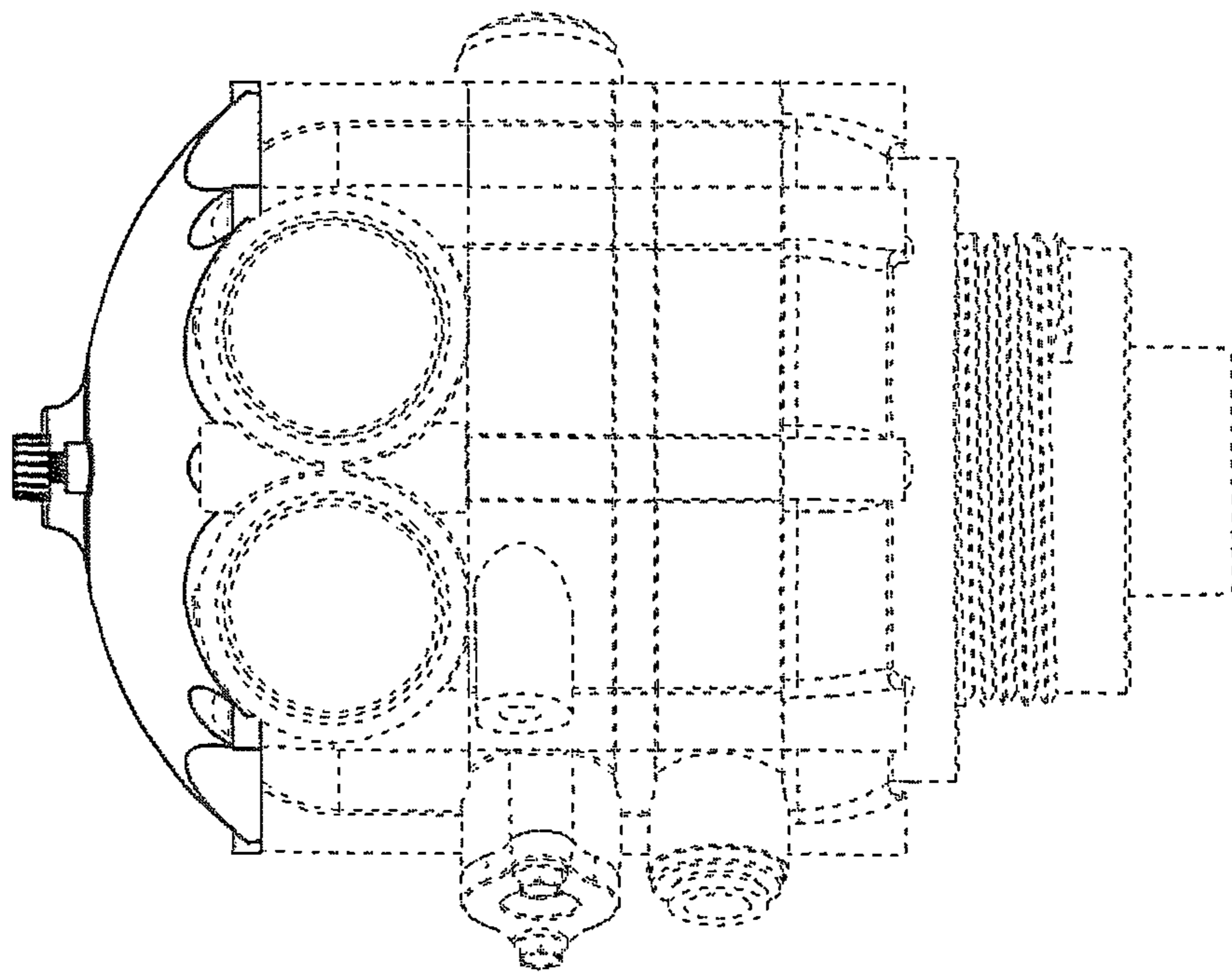


Fig. 4

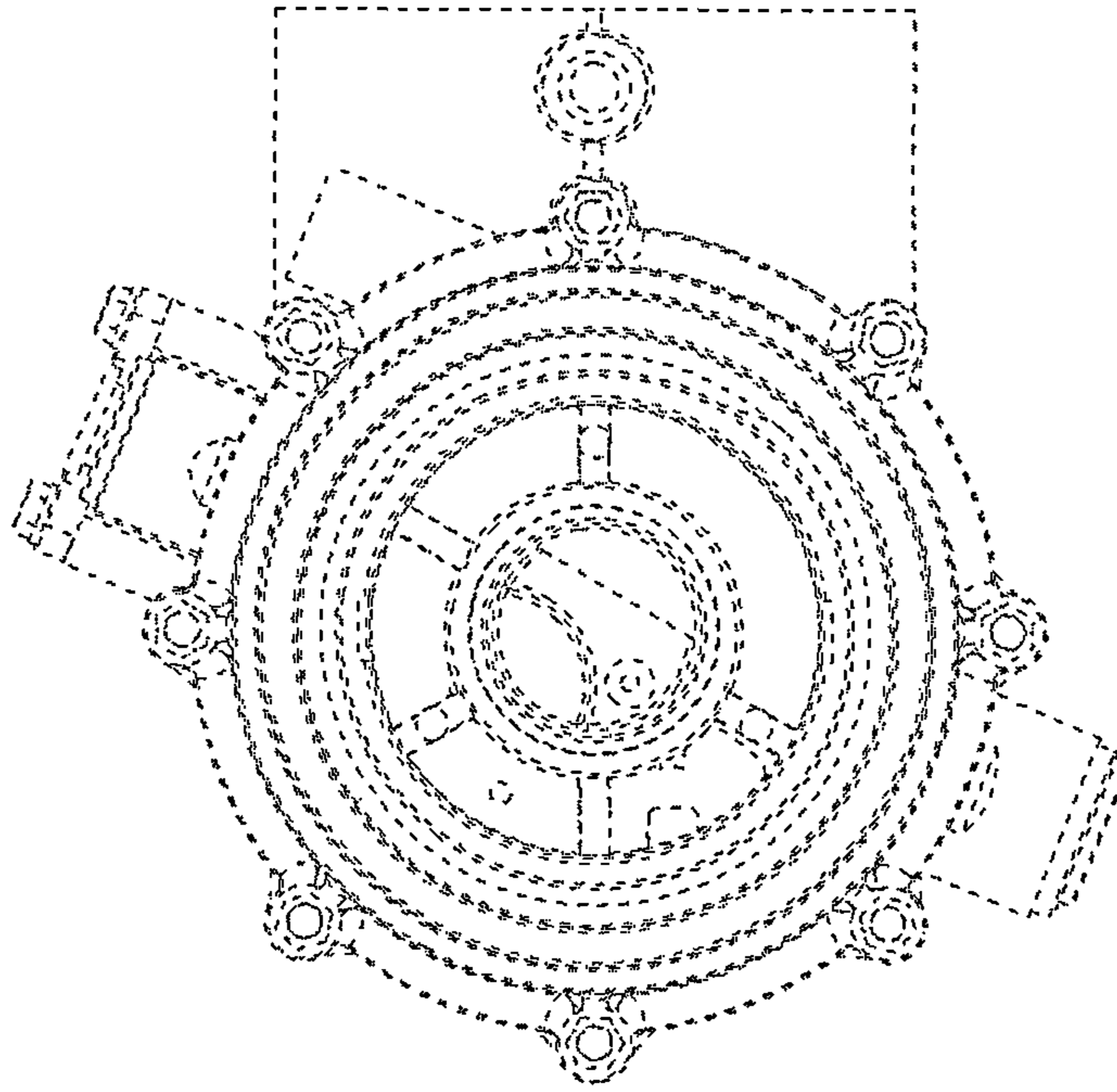


Fig. 7

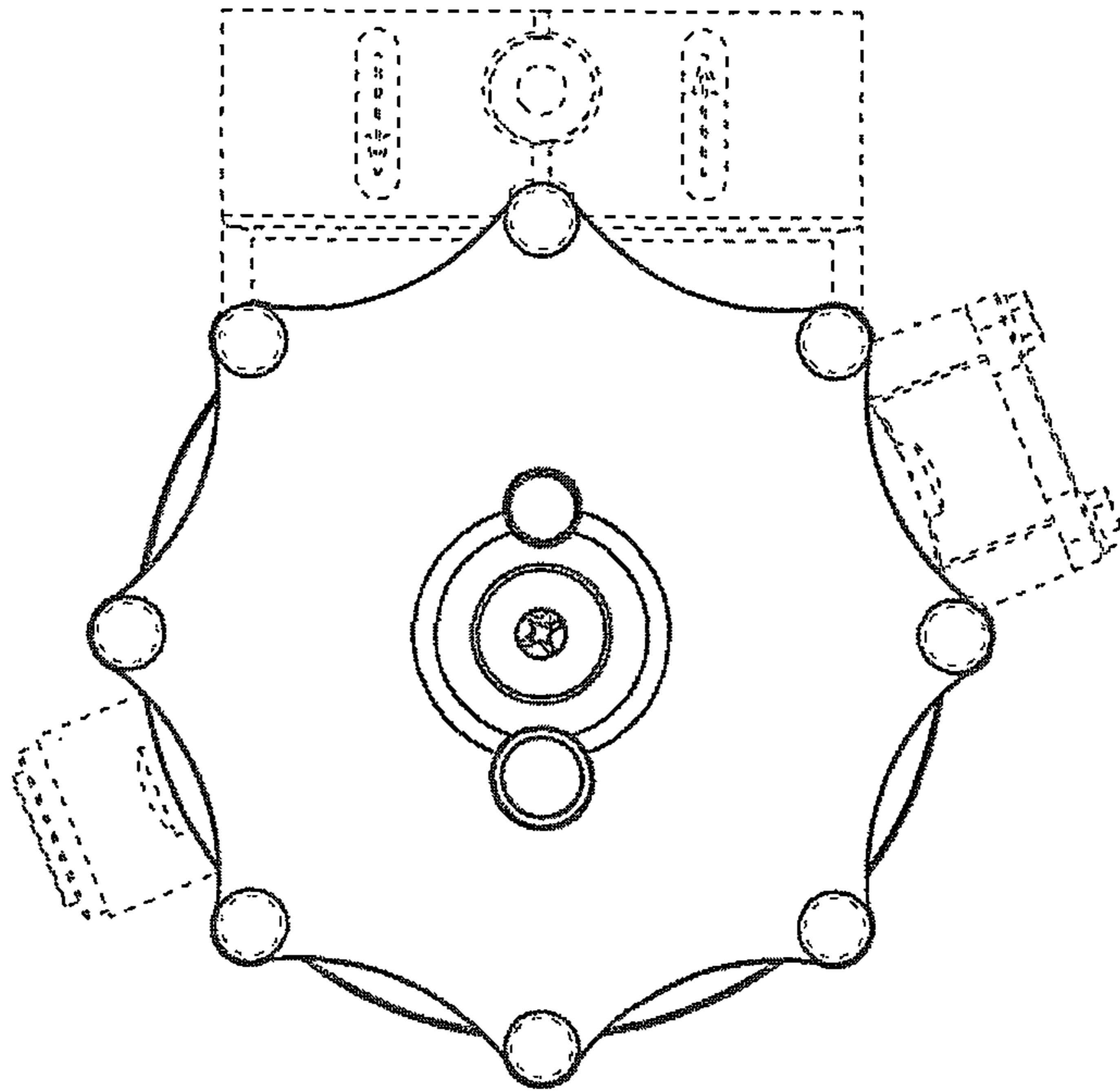


Fig. 6