



US00D700282S

(12) **United States Design Patent**
Blum

(10) **Patent No.:** **US D700,282 S**

(45) **Date of Patent:** **** Feb. 25, 2014**

(54) **FLOW REGULATOR**

(71) Applicant: **Neoperl GmbH**, Mullheim (DE)

(72) Inventor: **Gerhard Blum**, Gutach (DE)

(73) Assignee: **Neoperl GmbH**, Müllheim (DE)

(**) Term: **14 Years**

(21) Appl. No.: **29/465,709**

(22) Filed: **Aug. 30, 2013**

Related U.S. Application Data

(62) Division of application No. 29/397,839, filed on Jul. 21, 2011.

(30) **Foreign Application Priority Data**

Feb. 23, 2011 (EP) 001261960

(51) **LOC (10) Cl.** **23-01**

(52) **U.S. Cl.**
USPC **D23/213; D23/249**

(58) **Field of Classification Search**

USPC D23/213, 249; 239/428.5, 437;
261/DIG. 22

See application file for complete search history.

(56) **References Cited**

U.S. PATENT DOCUMENTS

D536,417 S 2/2007 Buttgen
D537,916 S 3/2007 Buttgen
D577,416 S 9/2008 Buttgen

Primary Examiner — Robin V Webster

(74) *Attorney, Agent, or Firm* — Volpe and Koenig, P.C.

(57) **CLAIM**

The design for a flow regulator, as shown and described.

DESCRIPTION

FIG. 1 is a top plan view of a flow regulator in accordance with my design;

FIG. 2 is a top, front, right perspective view thereof;

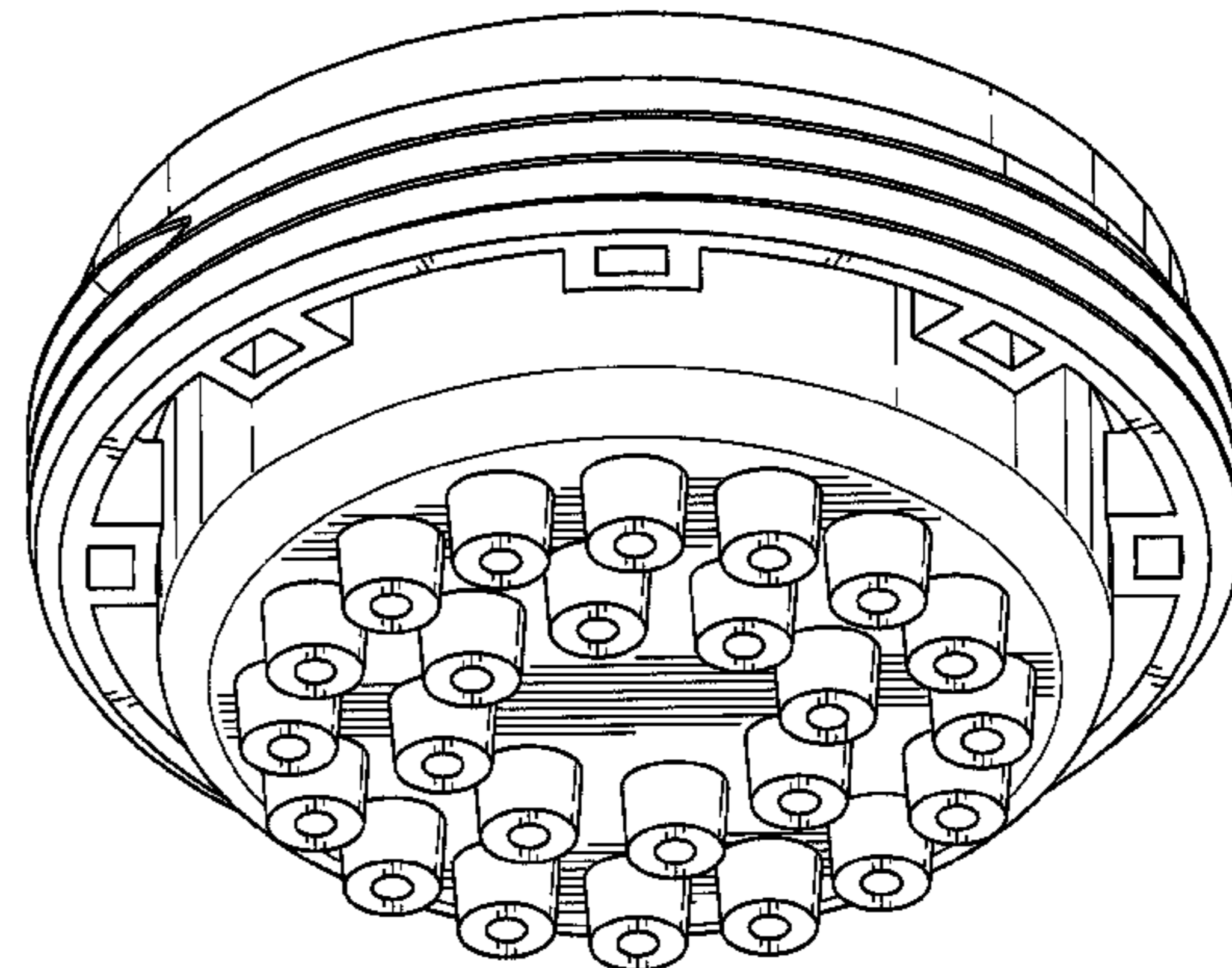
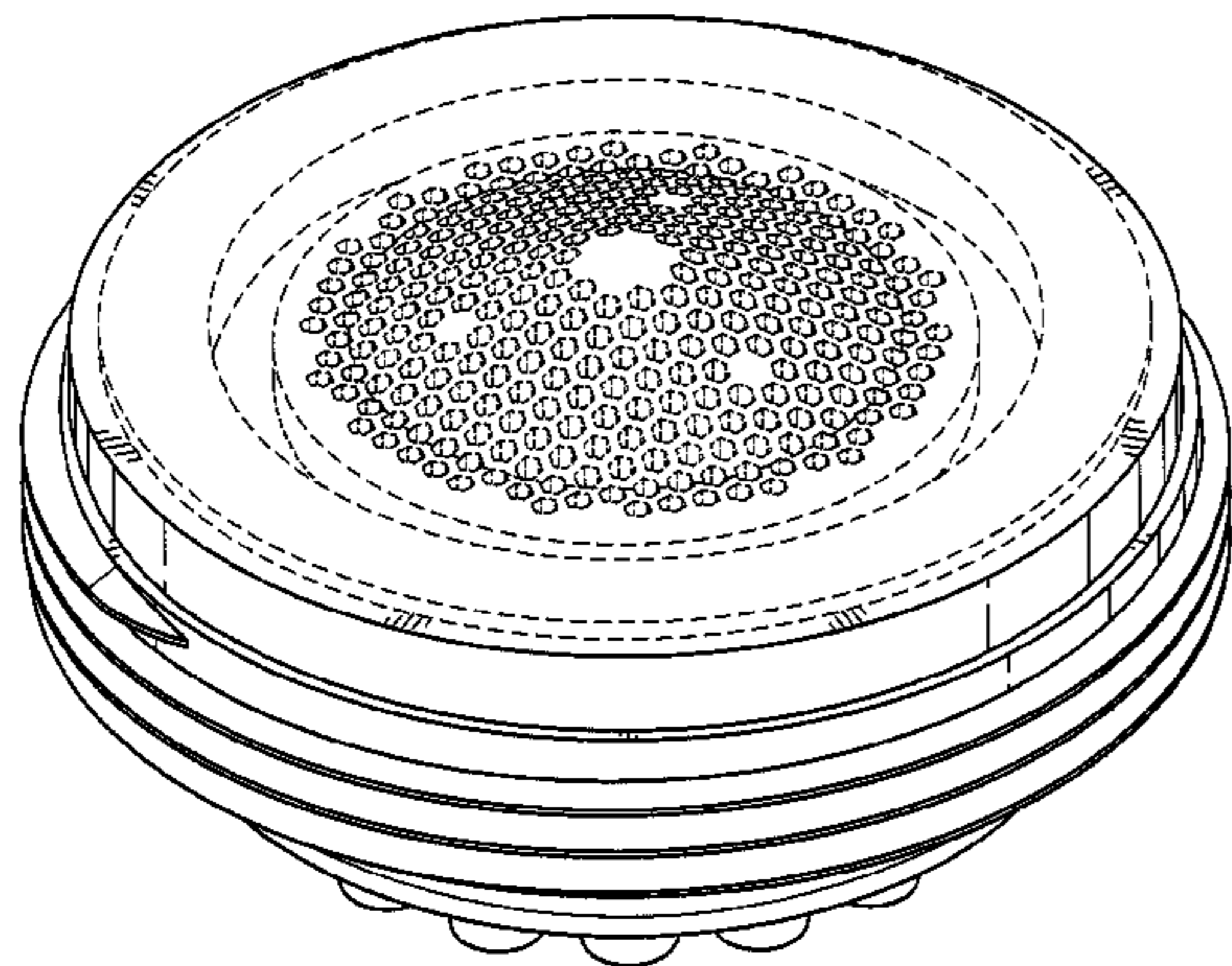
FIG. 3 is a bottom view thereof;

FIG. 4 is a bottom, front, right perspective view thereof; and,

FIG. 5 is an elevational view thereof.

The broken lines shown illustrate features that do not form part of the claimed design.

1 Claim, 5 Drawing Sheets



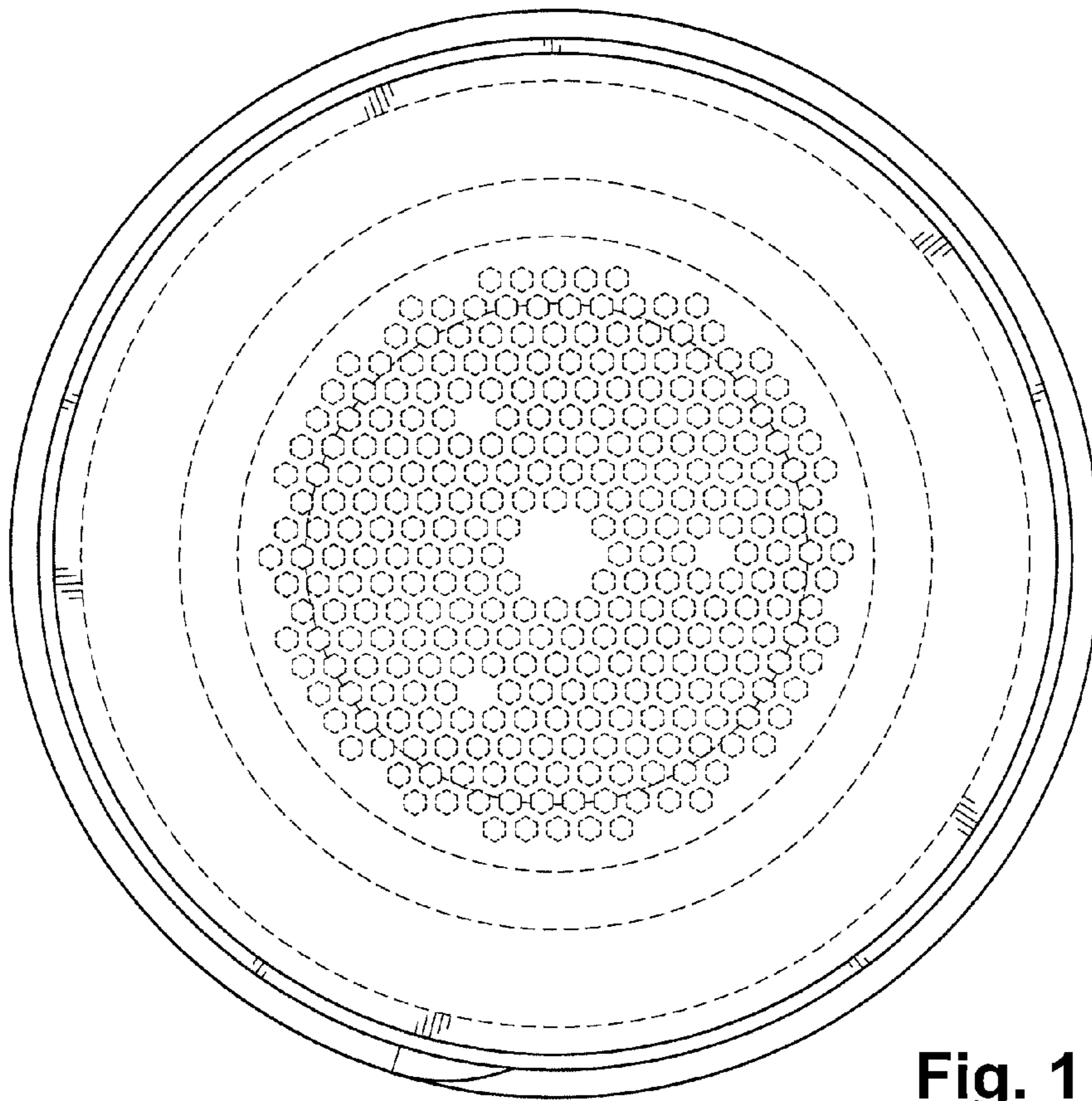


Fig. 1

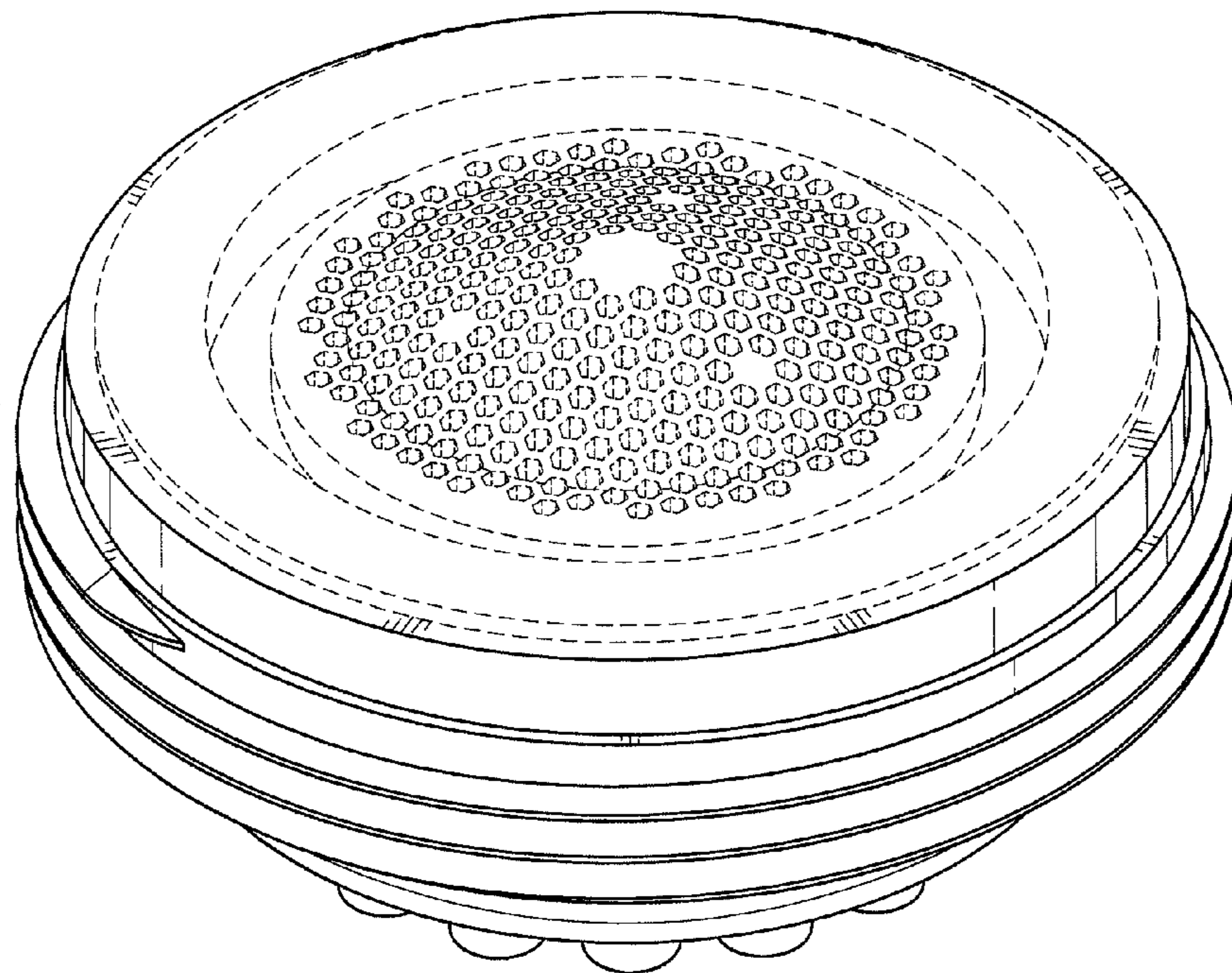


Fig. 2

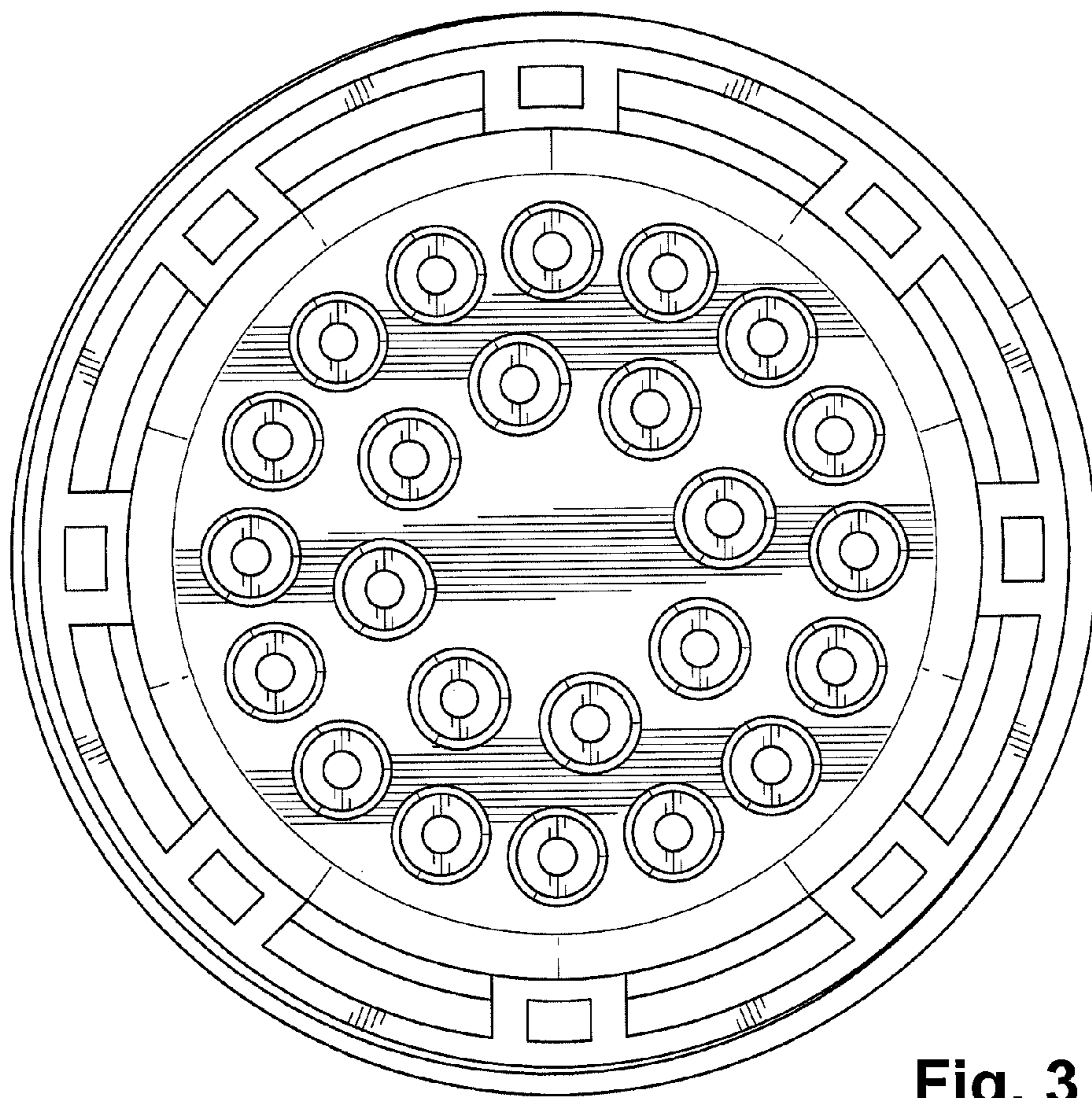


Fig. 3

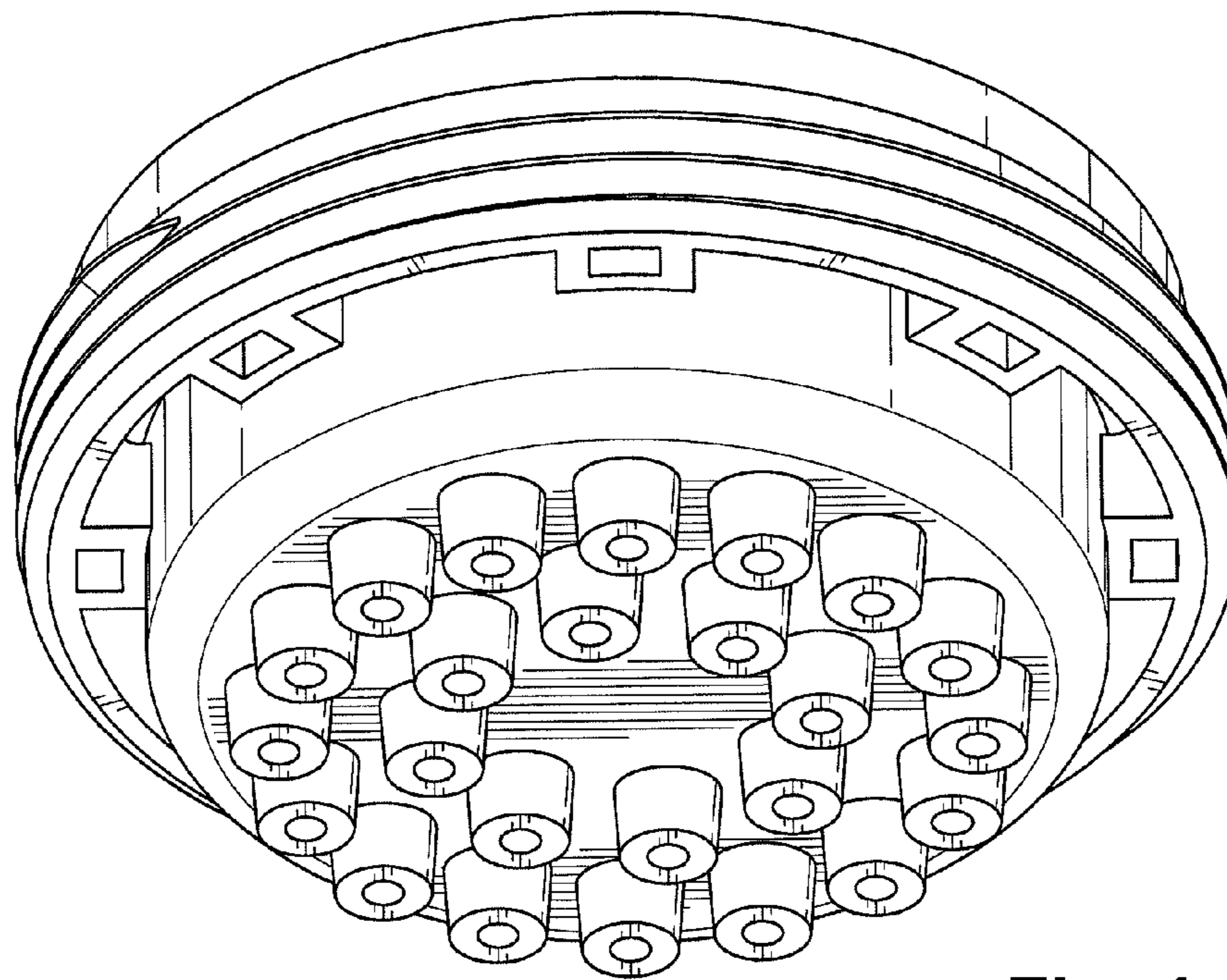


Fig. 4

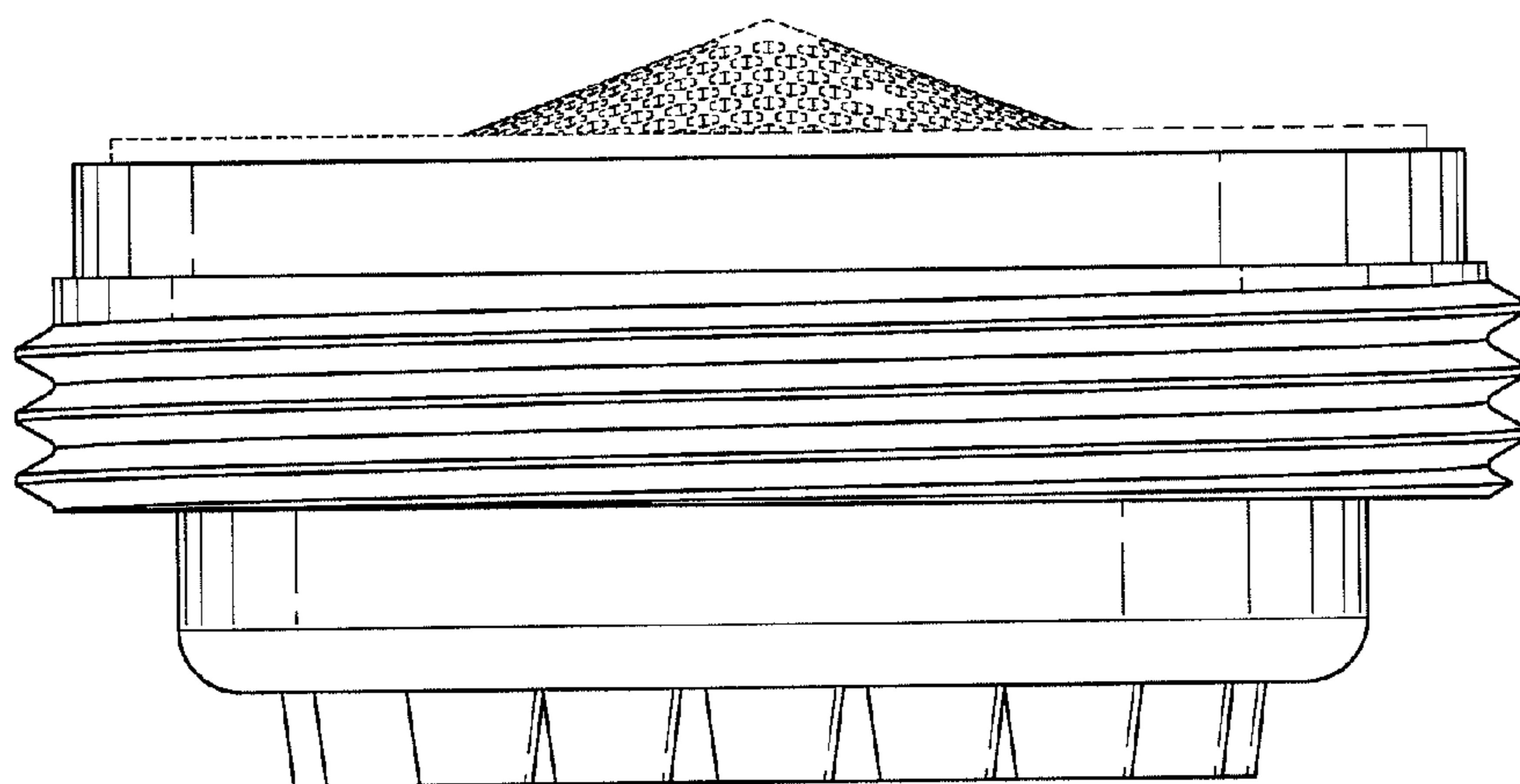


Fig. 5