



US00D700279S

(12) **United States Design Patent**  
**Bollerod**

(10) **Patent No.:** **US D700,279 S**

(45) **Date of Patent:** **\*\* Feb. 25, 2014**

(54) **SHOWER HEAD**

(71) Applicant: **Jens Bollerod**, Eccles (GB)

(72) Inventor: **Jens Bollerod**, Eccles (GB)

(\*\*) Term: **14 Years**

(21) Appl. No.: **29/438,207**

(22) Filed: **Nov. 27, 2012**

(51) **LOC (10) Cl.** ..... **23-01**

(52) **U.S. Cl.**  
USPC ..... **D23/213**

(58) **Field of Classification Search**  
USPC ..... D23/213, 223, 229, 230, 215; D2/882,  
D2/886; D29/102-106; 239/211;  
D21/707-714  
See application file for complete search history.

(56) **References Cited**

**U.S. PATENT DOCUMENTS**

D216,883 S *	3/1970	Katzman .....	D23/215
D330,246 S *	10/1992	Yanniell et al. ....	D23/215
D357,524 S *	4/1995	Langmar et al. ....	D23/215
D358,232 S *	5/1995	Hoshizaki et al. ....	D29/106
D382,329 S *	8/1997	Jun .....	D23/215
D424,165 S	5/2000	Guo et al.	
D462,732 S *	9/2002	Morrison et al. ....	D21/713
D498,802 S *	11/2004	Chang .....	D21/712
D510,966 S *	10/2005	Michishita .....	D21/709
D516,145 S *	2/2006	Oblack et al. ....	D21/713
D569,927 S *	5/2008	Kuehne et al. ....	D21/713
D570,432 S *	6/2008	Krysiak .....	D21/712
D575,434 S	8/2008	Nunes	

D609,987 S *	2/2010	Moman .....	D8/38
D616,066 S	5/2010	Cummings et al.	
D627,020 S *	11/2010	Martin .....	D21/713
D629,182 S *	12/2010	Castiel .....	D2/882
D633,174 S	2/2011	Lee	
D634,380 S *	3/2011	Walling et al. ....	D21/713
D639,383 S *	6/2011	Holbrook .....	D23/213
D645,529 S *	9/2011	Felker et al. ....	D21/709
D646,736 S *	10/2011	Felker et al. ....	D21/709
D654,251 S *	2/2012	Alkas-Shamoun .....	D2/882
D655,048 S *	2/2012	Moeller et al. ....	D29/102
D655,358 S *	3/2012	Barrett .....	D21/708
D670,892 S *	11/2012	Epstein .....	D2/882
D671,687 S *	11/2012	Winningham et al. ....	D29/106
D671,716 S *	12/2012	Lam et al. ....	D2/882
D690,057 S *	9/2013	Wehr .....	D30/102
2008/0196159 A1	8/2008	Lee	
2011/0244009 A1	10/2011	Gelin	

\* cited by examiner

*Primary Examiner* — Robin V Webster

(74) *Attorney, Agent, or Firm* — Amy Allen Hinson; Nexsen Pruet, LLC

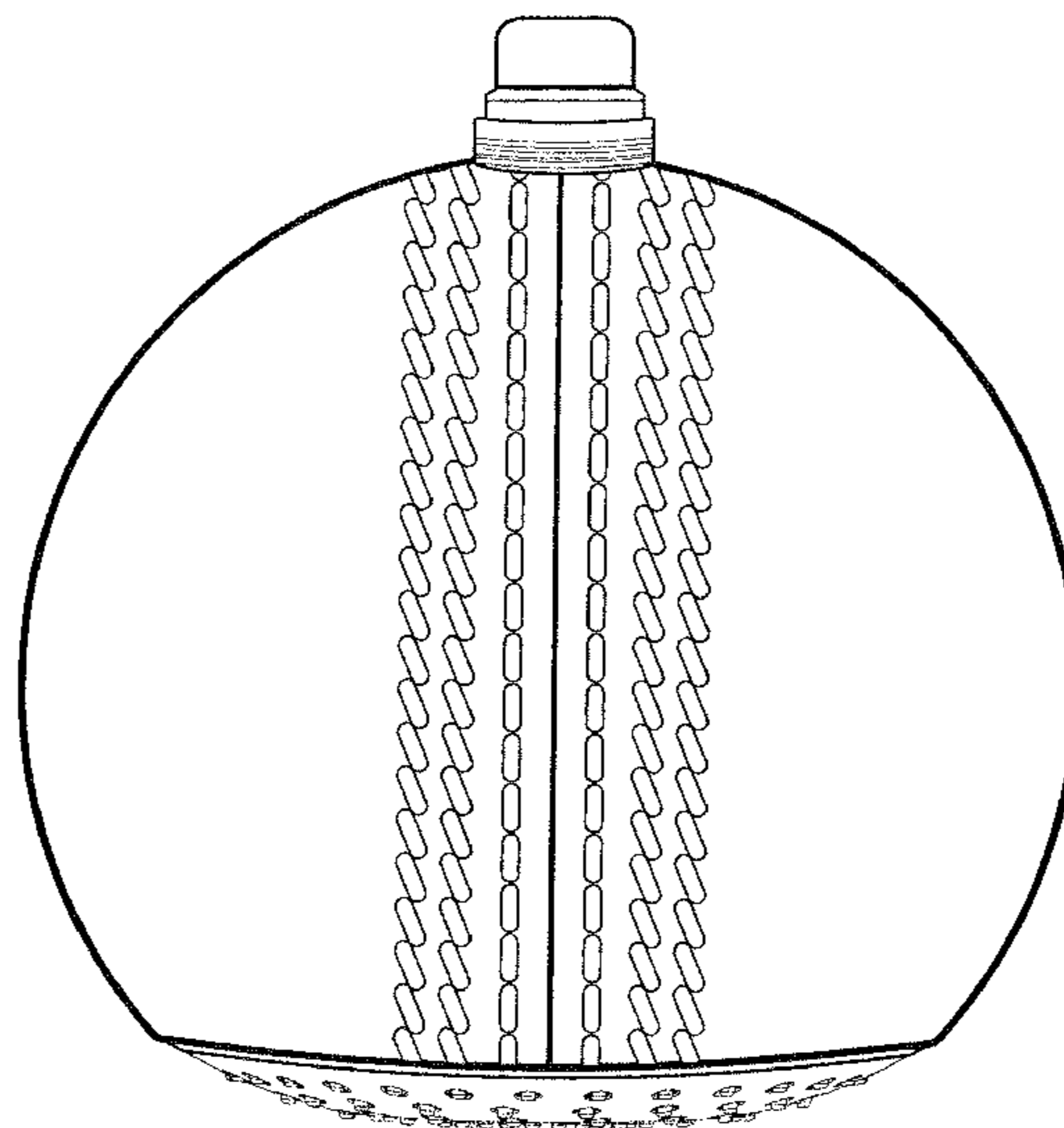
(57) **CLAIM**

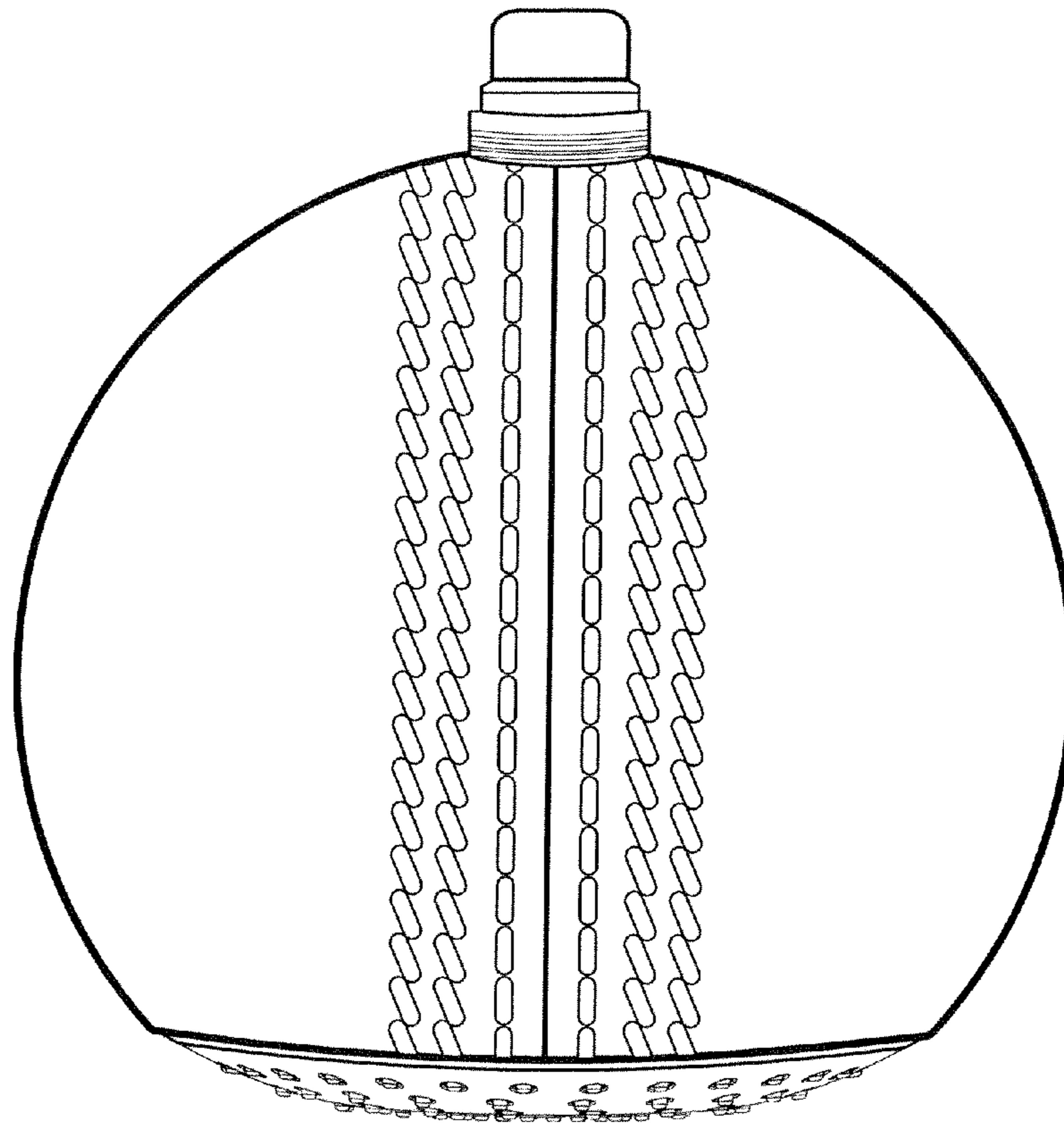
The ornamental design for a shower head, as shown and described.

**DESCRIPTION**

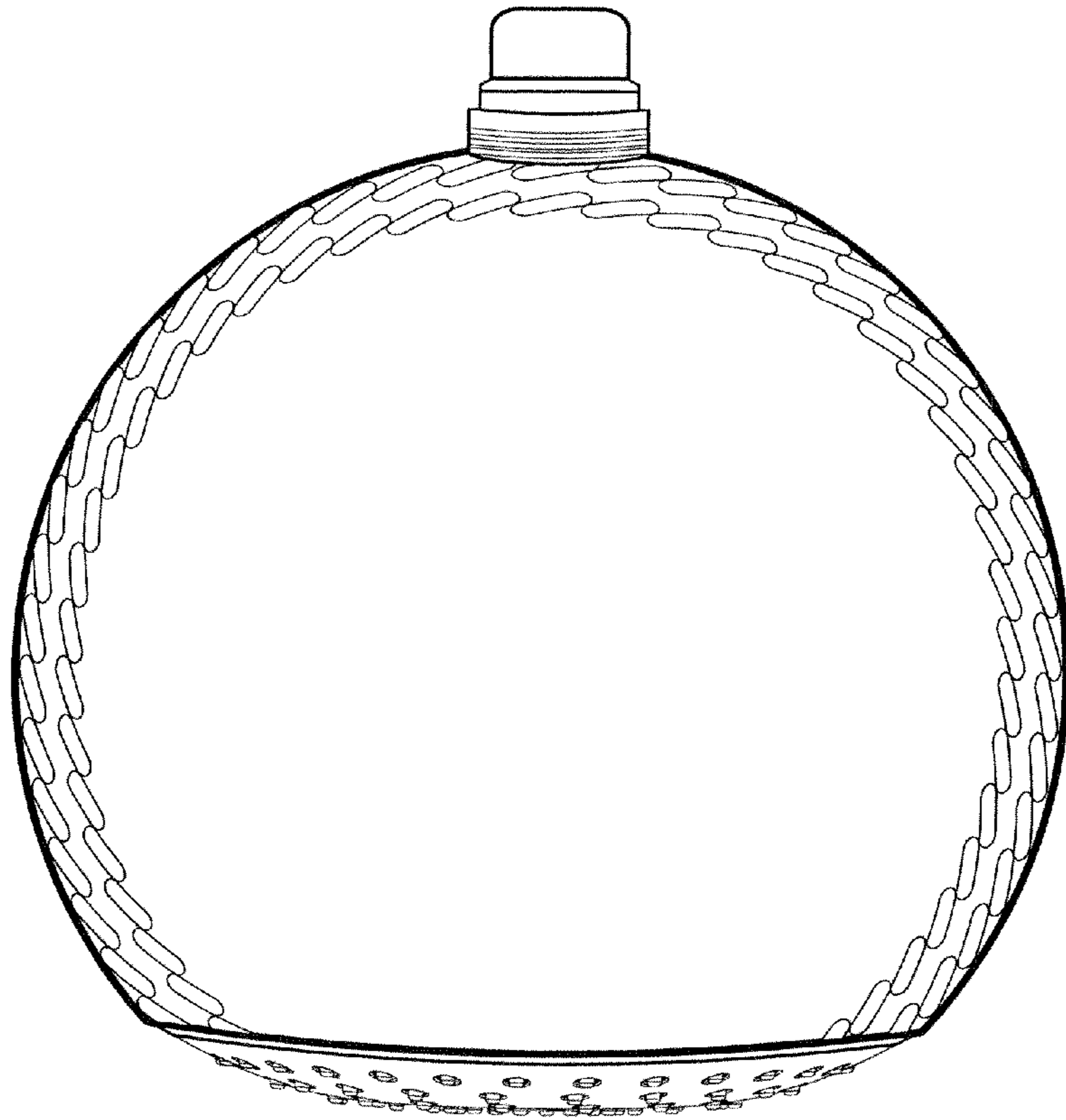
FIG. 1 is a front view of a shower head embodying the design of the present invention;  
FIG. 2 is a side view of the shower head illustrated in Figure; and,  
FIG. 3 is a bottom view of the shower head illustrated in FIG. 1.

**1 Claim, 3 Drawing Sheets**

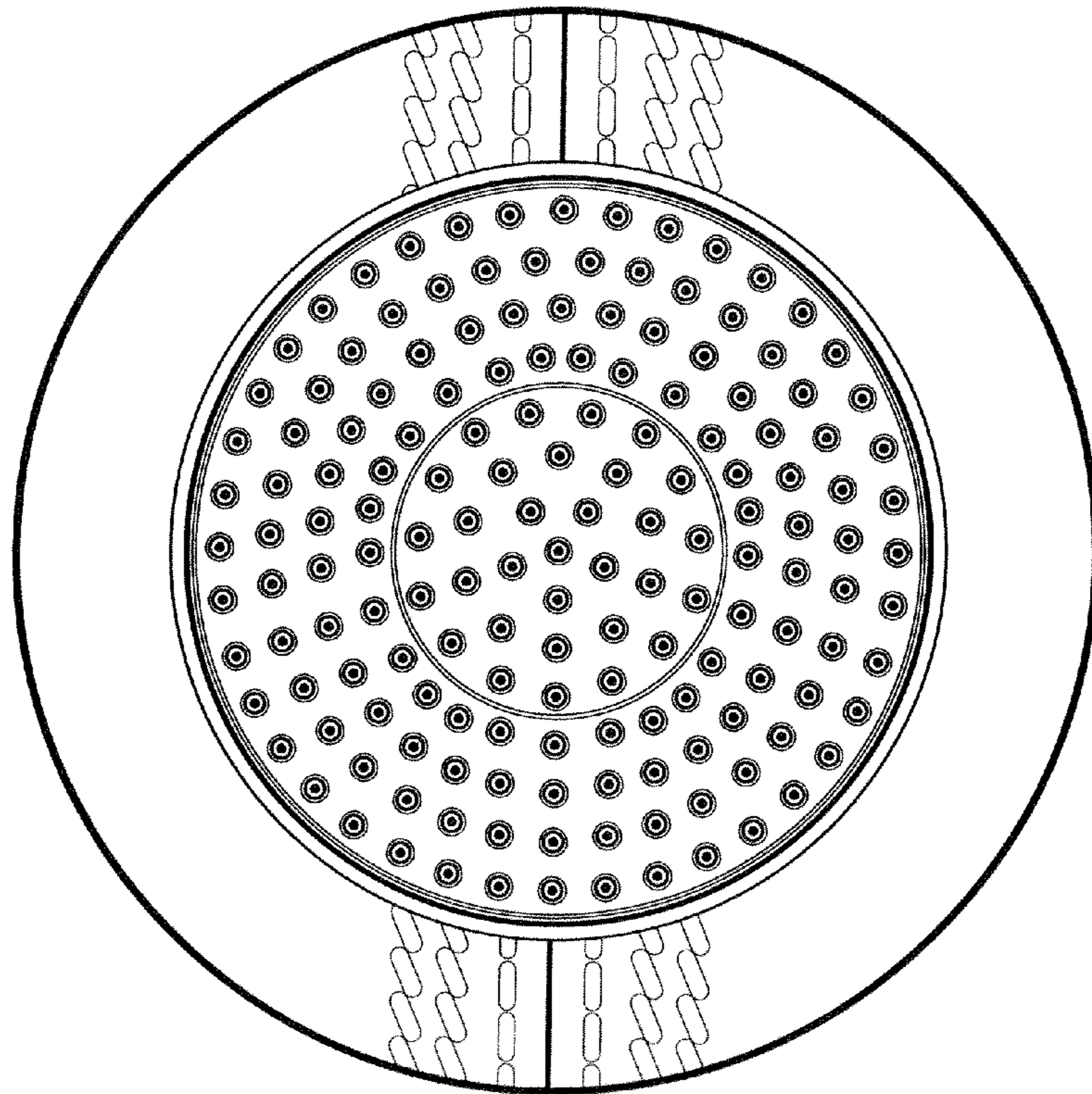




**FIG. 1**



**FIG. 2**



**FIG. 3**