



US00D700275S

(12) **United States Design Patent**
Ovans et al.

(10) **Patent No.:** **US D700,275 S**
(45) **Date of Patent:** **** Feb. 25, 2014**

(54) **ROTARY HEAD SPRINKLER**

(75) Inventors: **Craig Ovans**, Chandler, AZ (US); **Yani Deros**, Phoenix, AZ (US)

(73) Assignee: **Partners In Innovation Limited, LLC**, Cincinnati, OH (US)

(**) Term: **14 Years**

(21) Appl. No.: **29/432,449**

(22) Filed: **Sep. 14, 2012**

(51) **LOC (10) Cl.** **23-01**

(52) **U.S. Cl.**
USPC **D23/213; D23/223**

(58) **Field of Classification Search**
USPC D23/213, 223, 229, 230; 239/587.1,
239/587.2, 587.5, 525-527, 462
See application file for complete search history.

(56) **References Cited**

U.S. PATENT DOCUMENTS

934,519	A	6/1909	Wooding
941,109	A	11/1909	Sutherland
1,007,657	A	10/1911	Freund
1,026,742	A	5/1912	French
1,031,176	A	7/1912	Gilpin
1,058,189	A	4/1913	Moboyle
1,078,817	A	11/1913	Austin
1,168,219	A	1/1916	Miller
1,566,232	A	12/1925	Schreiter
1,612,326	A	12/1926	Taylor
2,053,931	A	9/1936	Work
2,620,232	A	12/1952	King
2,770,826	A	11/1956	Curfman
3,115,305	A	12/1963	Rinkewich
3,332,624	A	7/1967	Rinkewich

(Continued)

FOREIGN PATENT DOCUMENTS

EP 0826427 A2 3/1998
WO 2011075660 A1 6/2011

OTHER PUBLICATIONS

Eighteen-page International Search Report and Written Opinion mailed Feb. 14, 2011 for PCT/US2010/061063.

Primary Examiner — Robin V Webster

(74) *Attorney, Agent, or Firm* — Wood, Herron & Evans, LLP

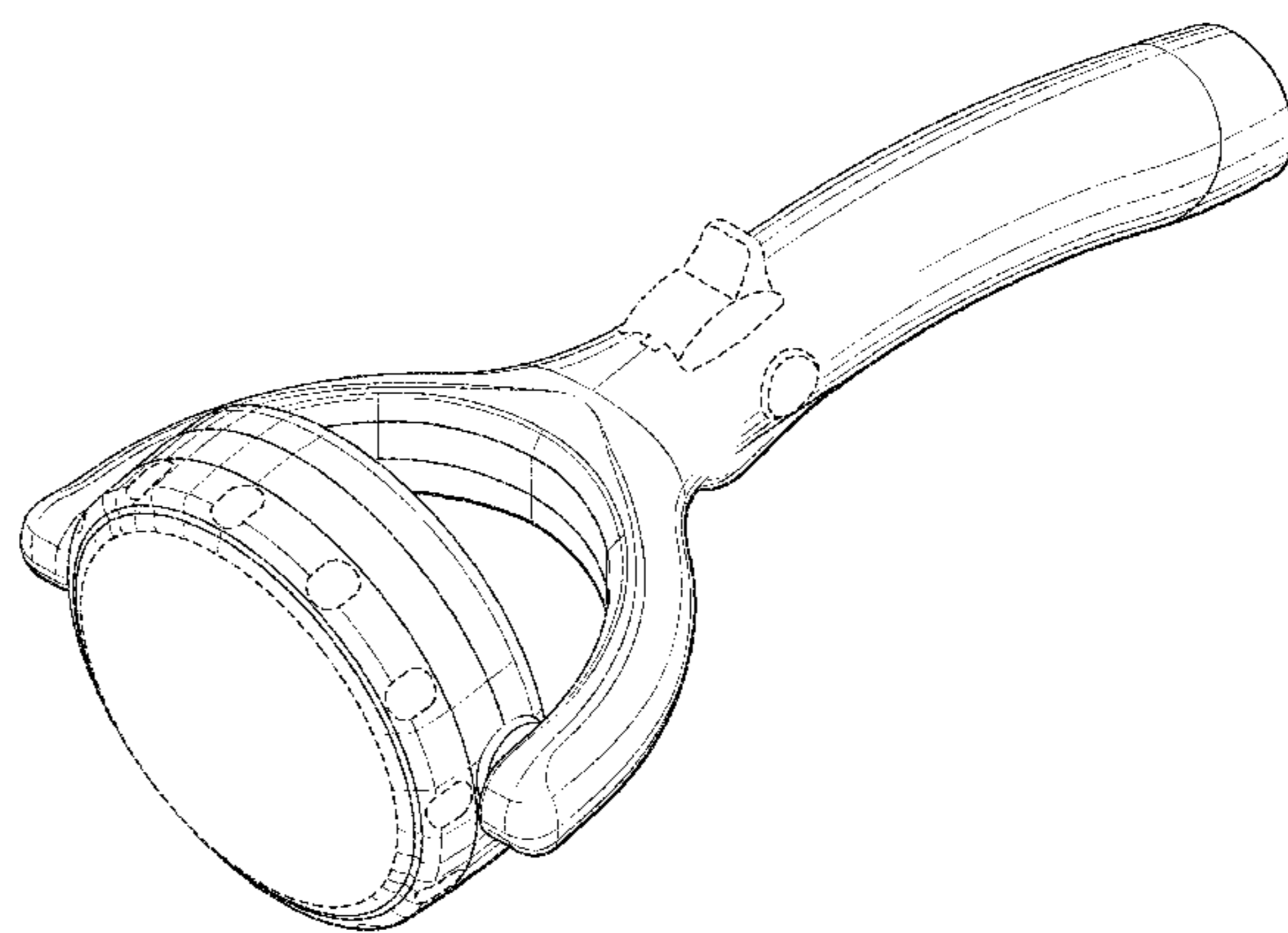
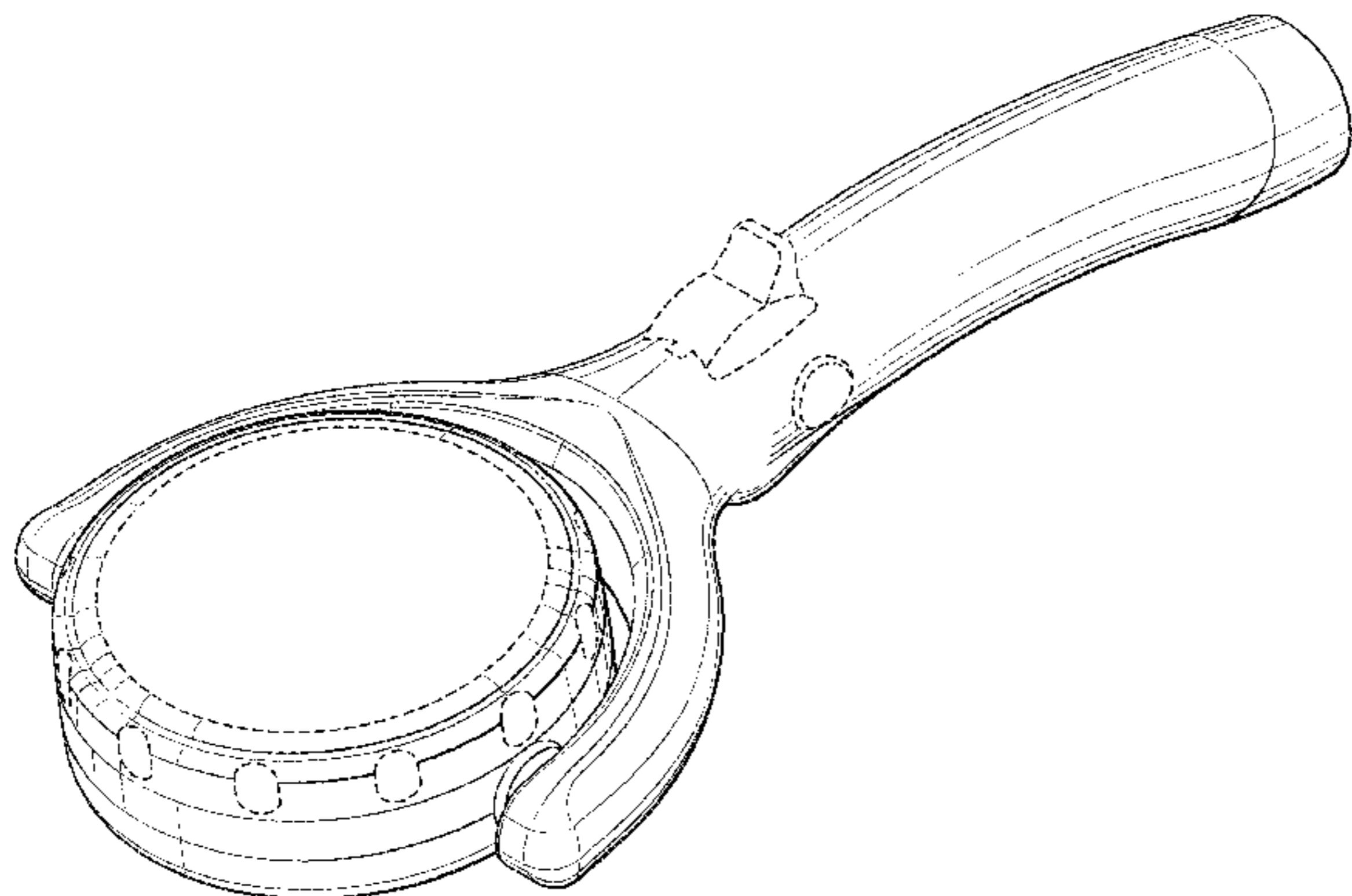
(57) **CLAIM**

The ornamental design for an rotary head sprinkler, as shown and described.

DESCRIPTION

FIG. 1 is an isometric view of a rotary head sprinkler showing our new design;
FIG. 2 is a front view thereof;
FIG. 3 is a rear view thereof;
FIG. 4 is a left view thereof;
FIG. 5 is a right view thereof;
FIG. 6 is a top view thereof;
FIG. 7 is a bottom view thereof;
FIG. 8 is an isometric view thereof, shown in an alternate position;
FIG. 9 is a front view of the embodiment of FIG. 8;
FIG. 10 is a rear view of the embodiment of FIG. 8;
FIG. 11 is a left view of the embodiment of FIG. 8;
FIG. 12 is a right view of the embodiment of FIG. 8;
FIG. 13 is a top view of the embodiment of FIG. 8; and,
FIG. 14 is a bottom view of the embodiment of FIG. 8.
The structure shown in dash lines is for illustrative purposes only and forms no part of the claimed design.

1 Claim, 10 Drawing Sheets



(56)

References Cited

U.S. PATENT DOCUMENTS

3,354,730	A	11/1967	Thompson	6,619,570	B1	9/2003	Ericksen et al.	
3,630,450	A	12/1971	Stephany et al.	6,663,022	B1	12/2003	Baker	
4,130,135	A	12/1978	Moore	6,712,294	B1	3/2004	Wang	
4,347,981	A	9/1982	Hayes	7,028,984	B2	4/2006	Wang	
4,421,276	A	12/1983	Rodgers	7,140,561	B2	11/2006	Heren et al.	
4,708,291	A	11/1987	Grundy	D536,062	S	1/2007	Hester	
4,903,897	A	2/1990	Hayes	7,252,246	B2	8/2007	Heren et al.	
5,160,093	A	11/1992	Battaglia	D607,971	S *	1/2010	Barnard et al.	D23/223
5,174,501	A	12/1992	Hadar	D608,412	S *	1/2010	Barnard et al.	D23/223
5,305,956	A	4/1994	Wang	D608,413	S *	1/2010	Barnard et al.	D23/223
5,947,388	A	9/1999	Woodruff	7,866,576	B1 *	1/2011	Farley	239/553
6,123,272	A	9/2000	Havican et al.	D668,320	S *	10/2012	Weihreter	D23/223
6,398,185	B1	6/2002	Wang	2004/0222320	A1	11/2004	Wu	
6,554,209	B2	4/2003	Djordjevic	2006/0214023	A1	9/2006	Collins et al.	
				2012/0126027	A1	5/2012	Helmsderfer et al.	
				2012/0223153	A1	9/2012	Helmsderfer et al.	
				2013/0037624	A1	2/2013	Helmsderfer et al.	

* cited by examiner

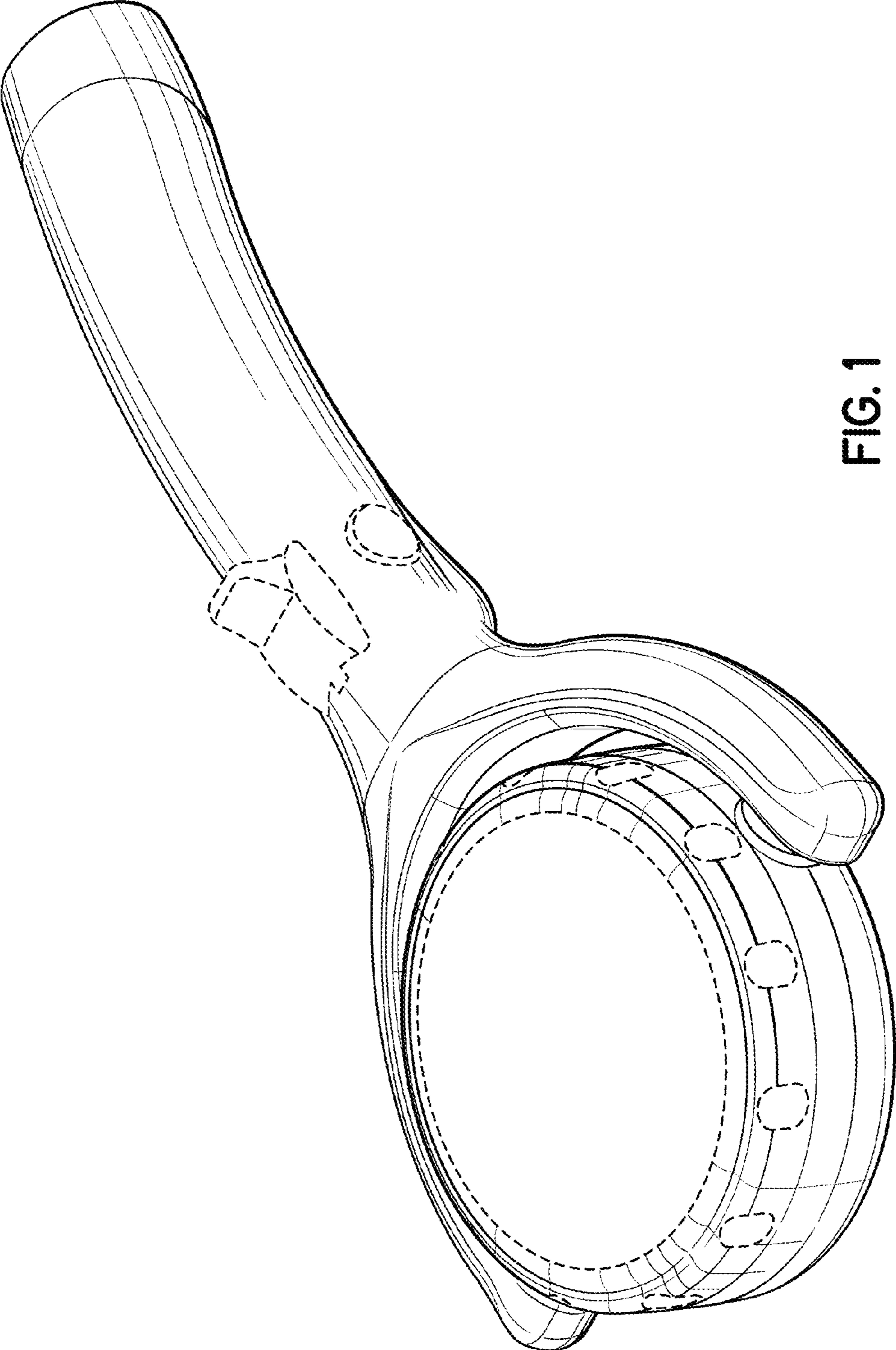


FIG. 1

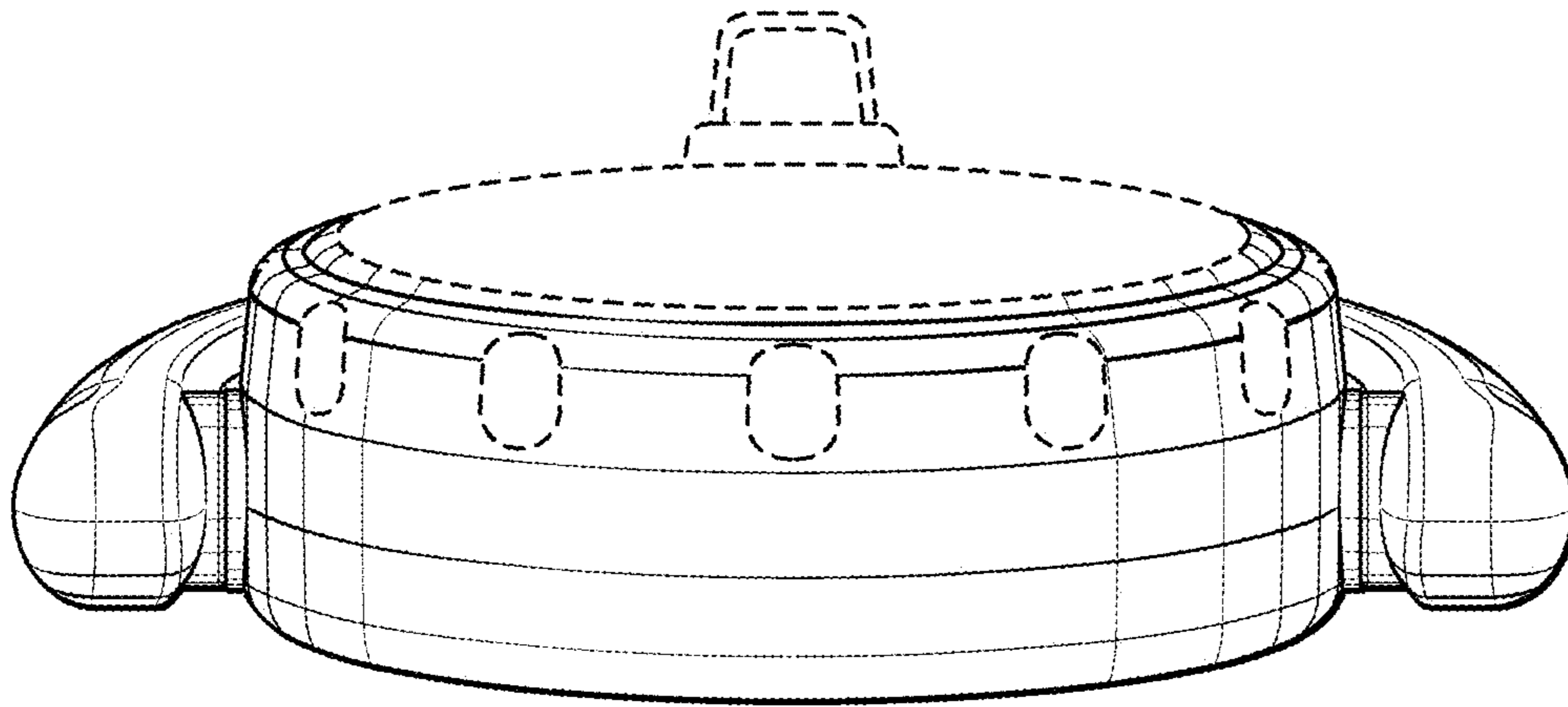


FIG. 2

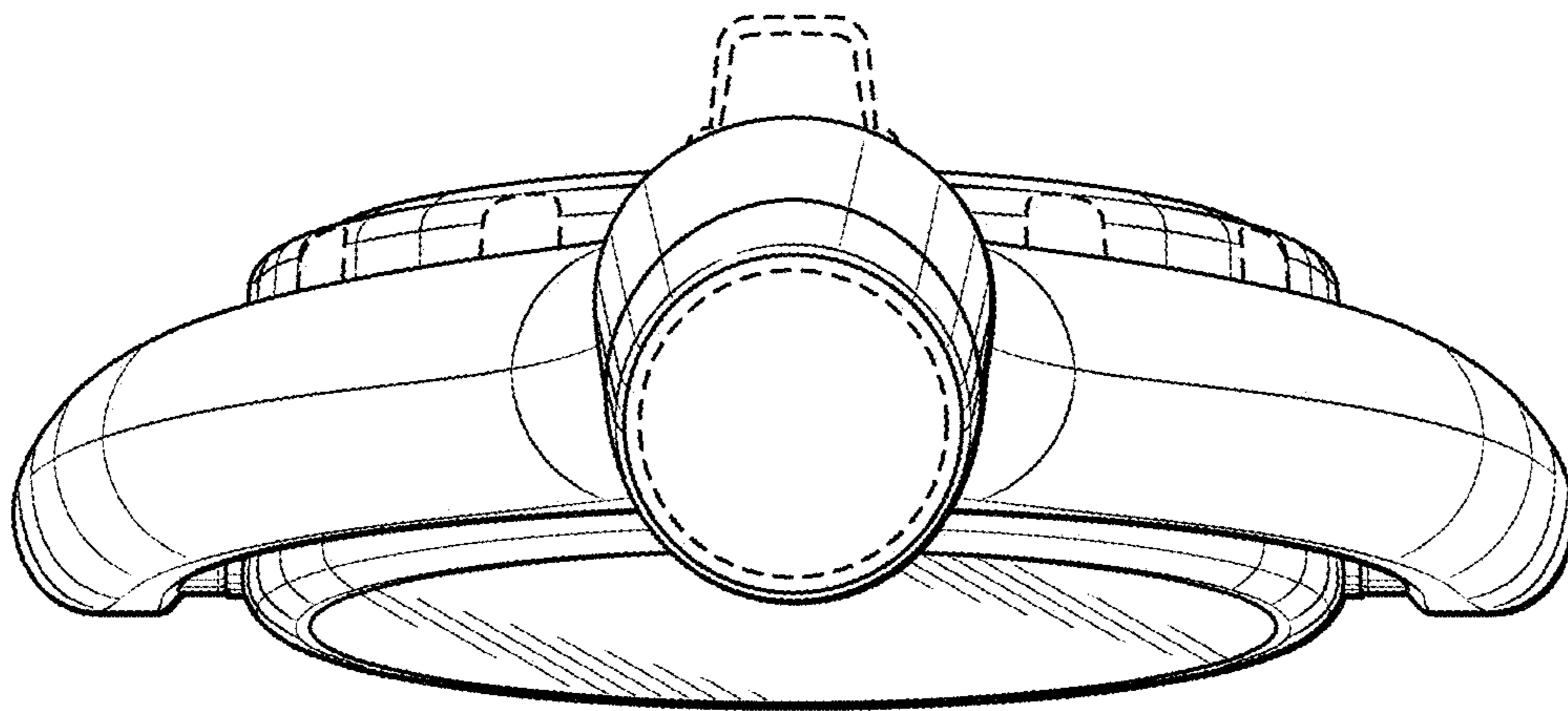


FIG. 3

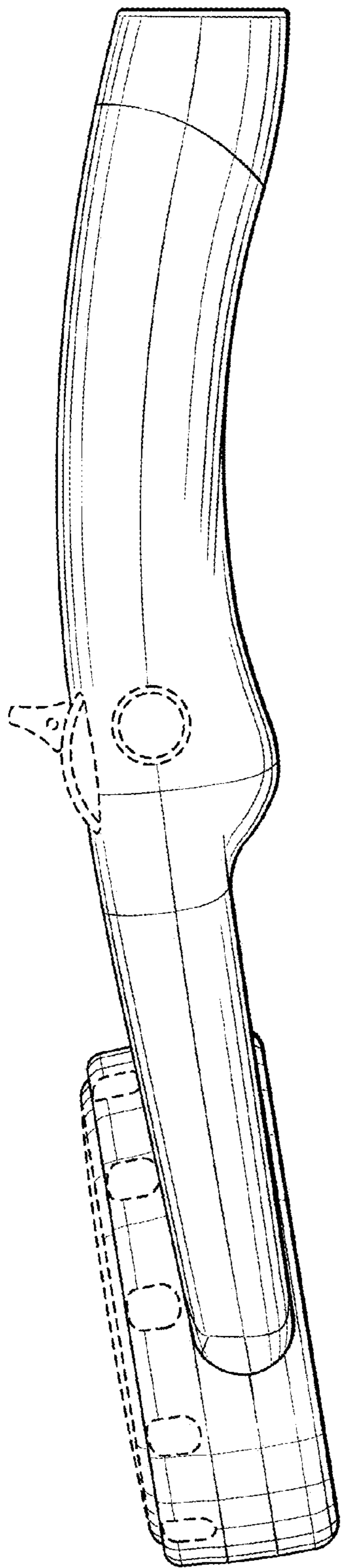


FIG. 4

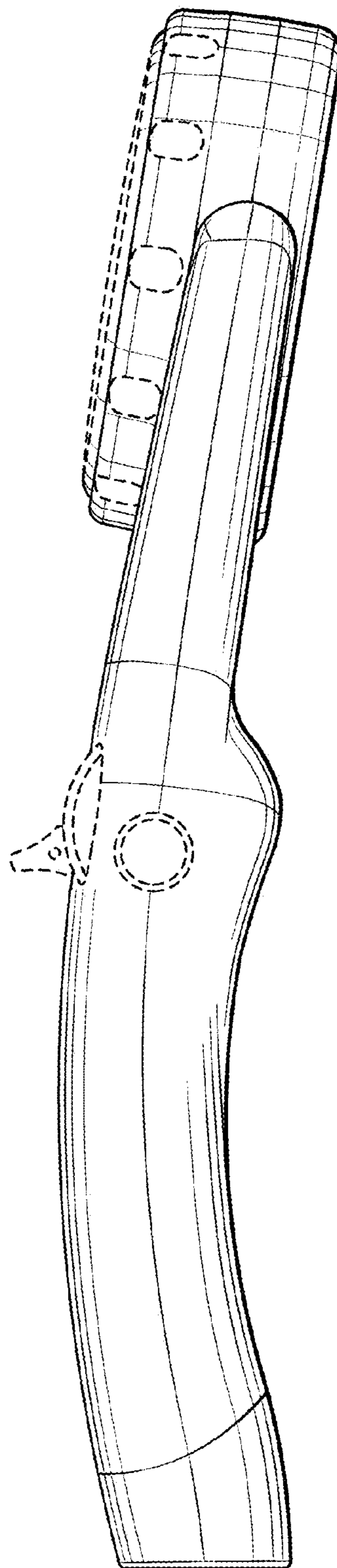


FIG. 5

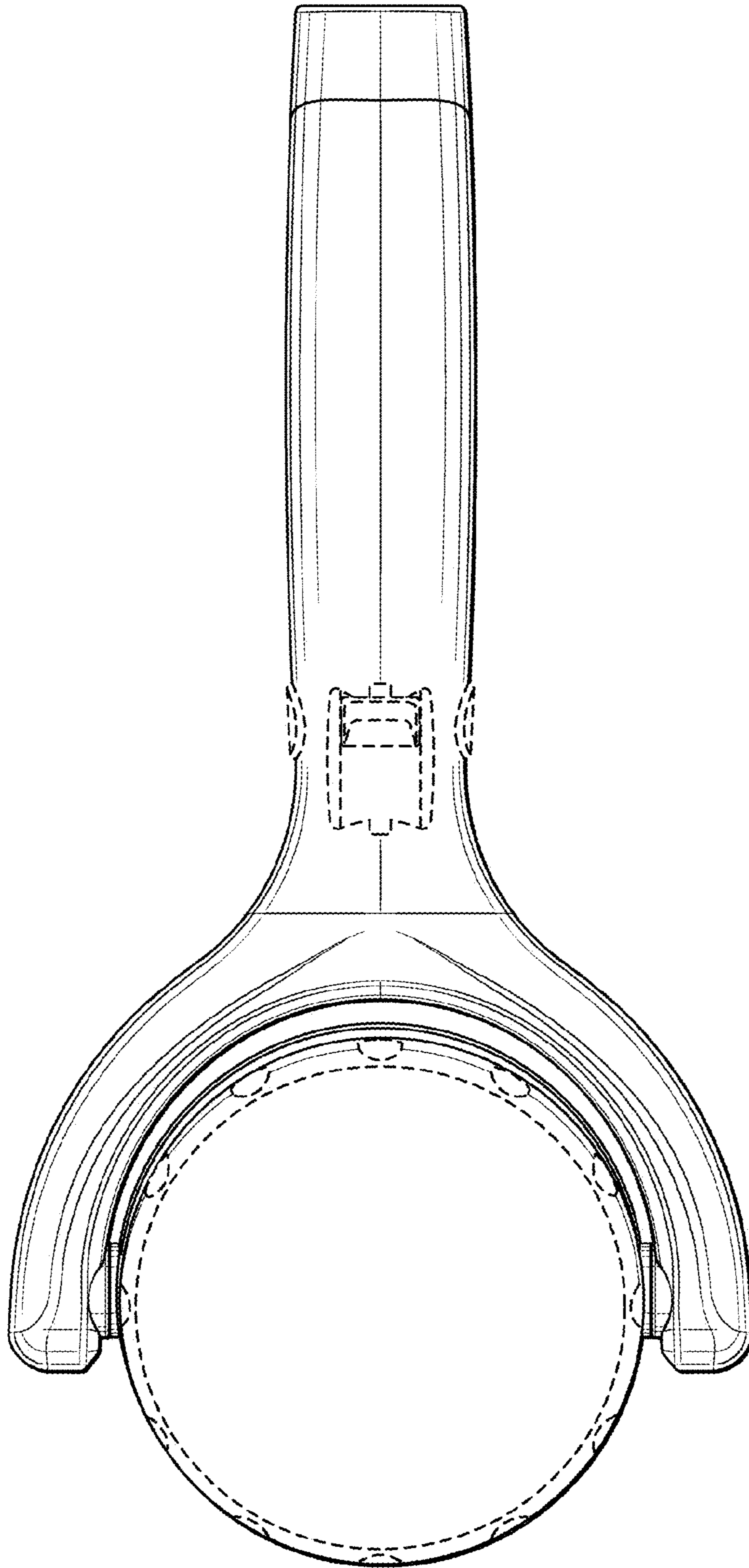


FIG. 6

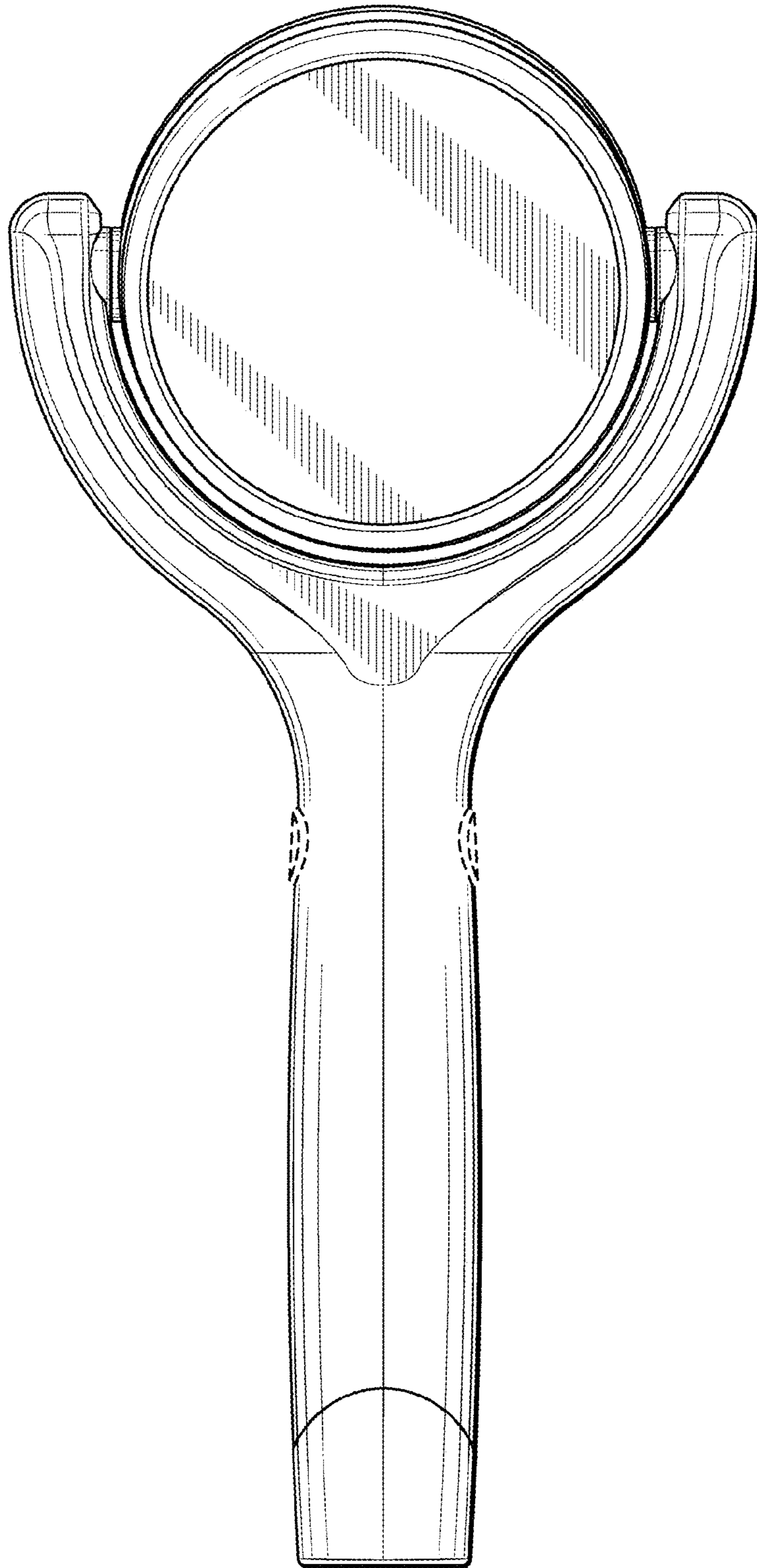


FIG. 7

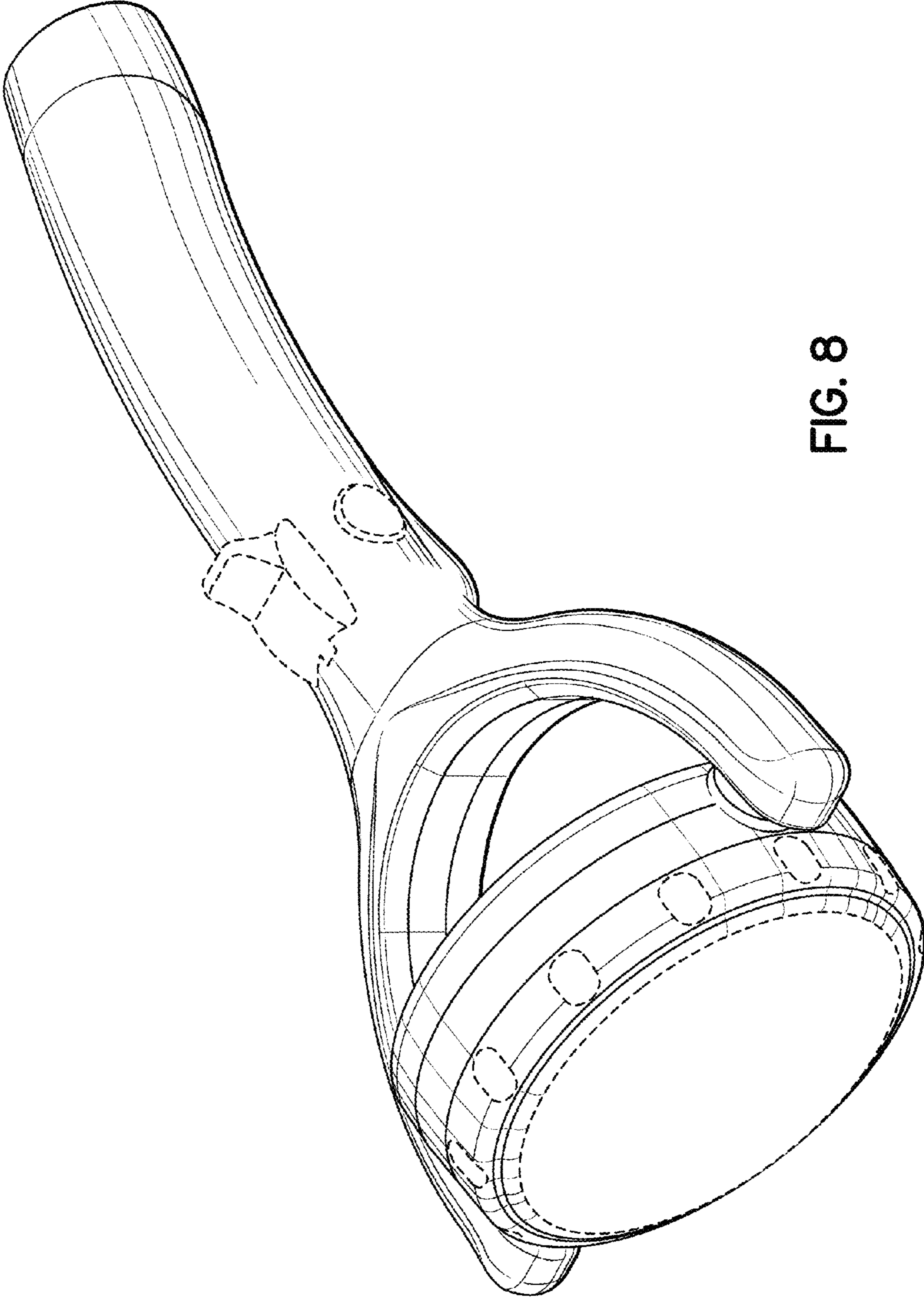


FIG. 8

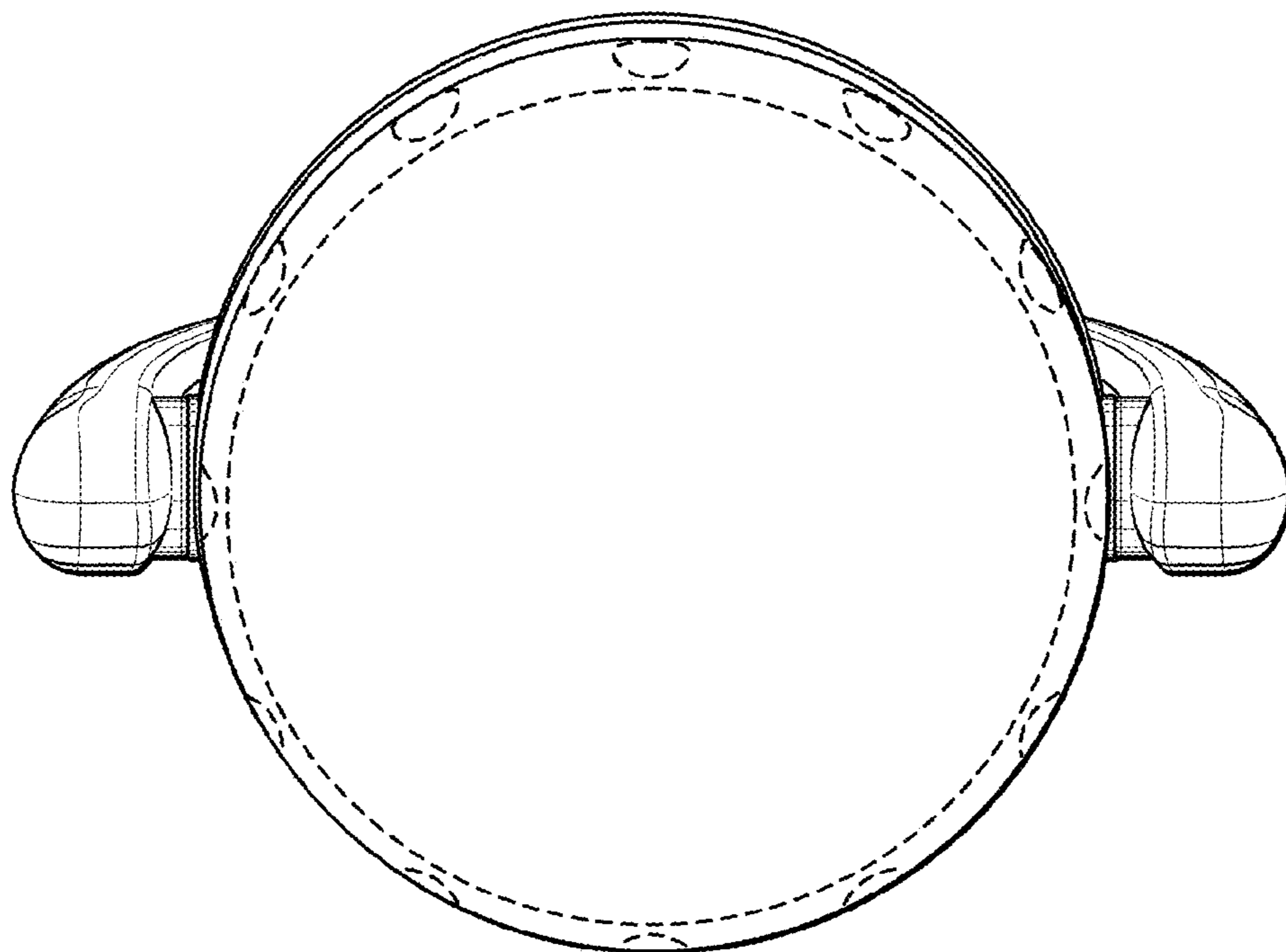


FIG. 9

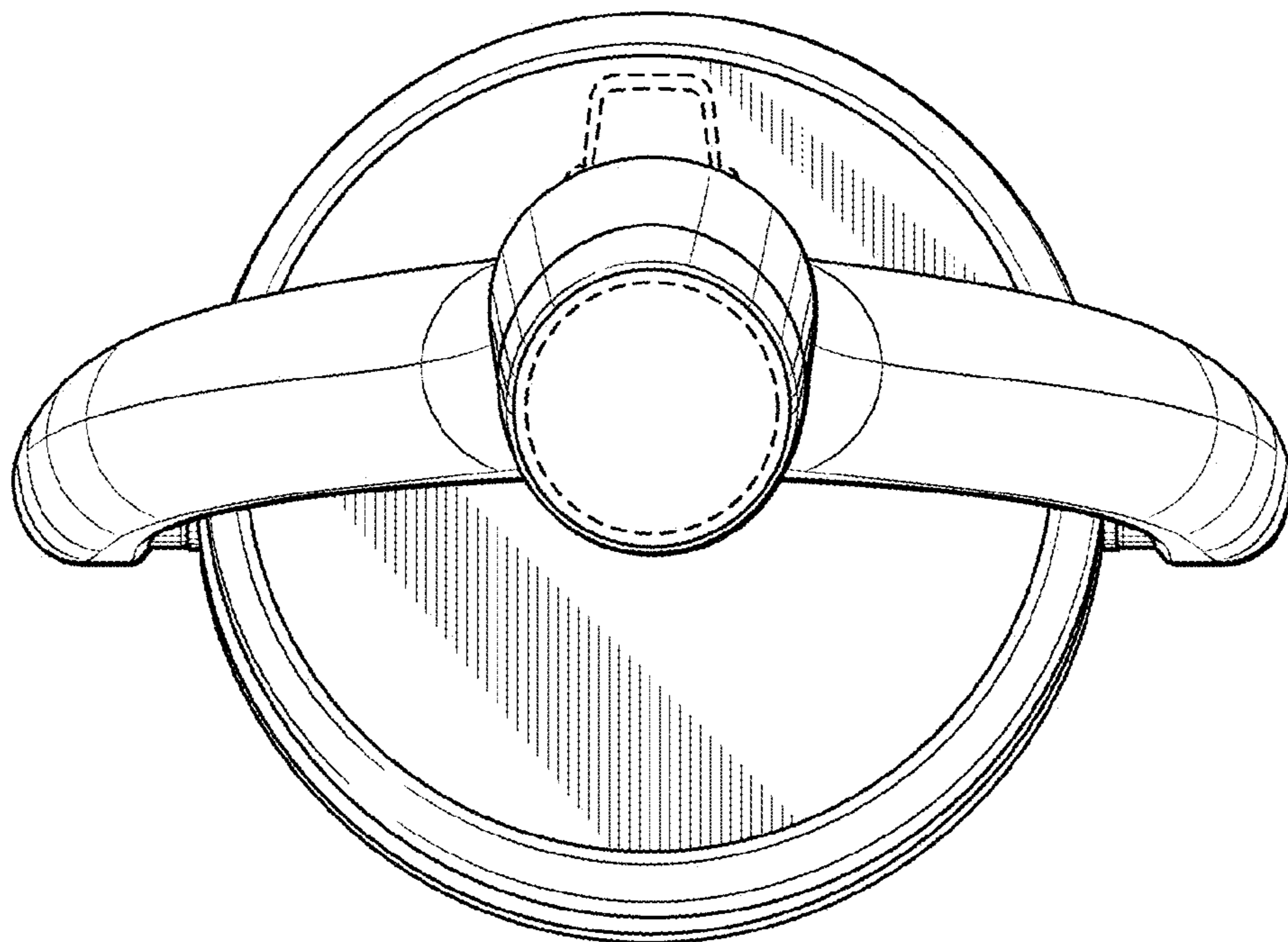


FIG. 10

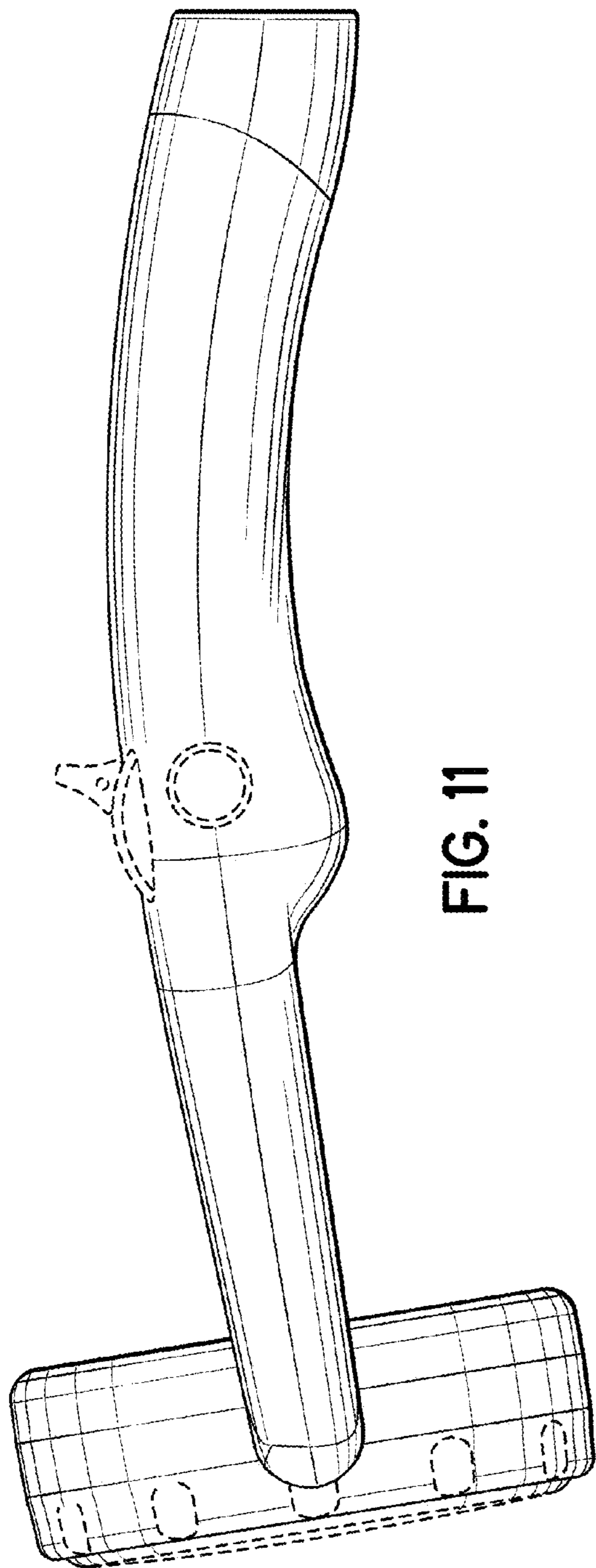


FIG. 11

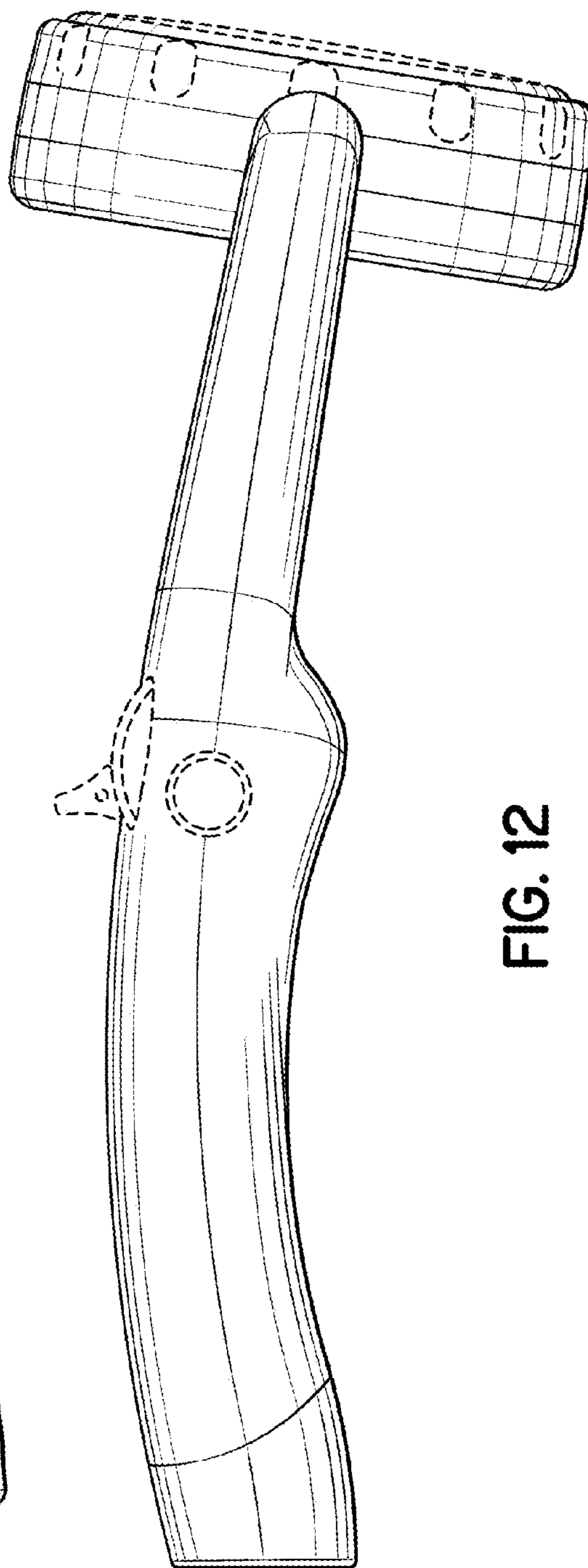


FIG. 12

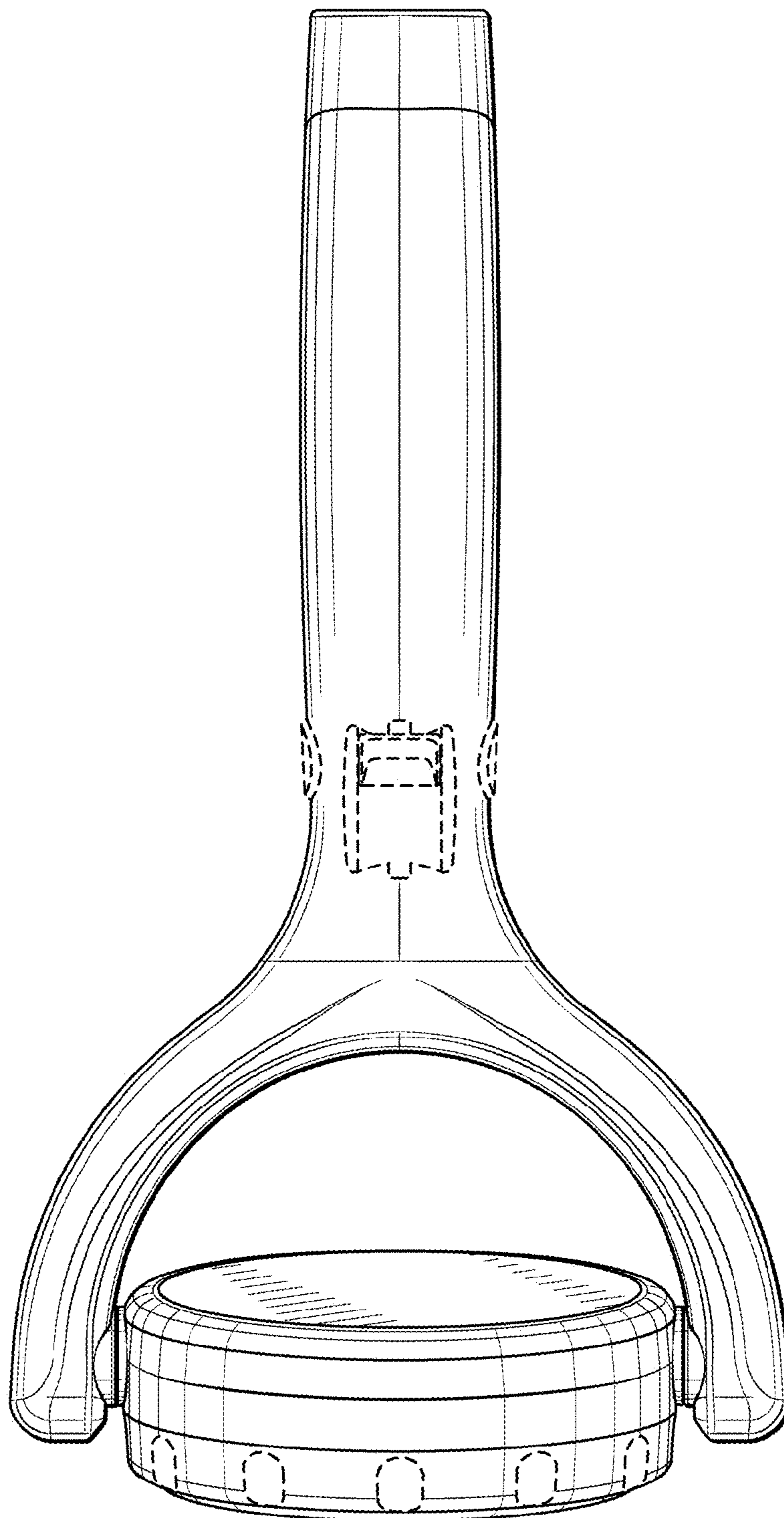


FIG. 13

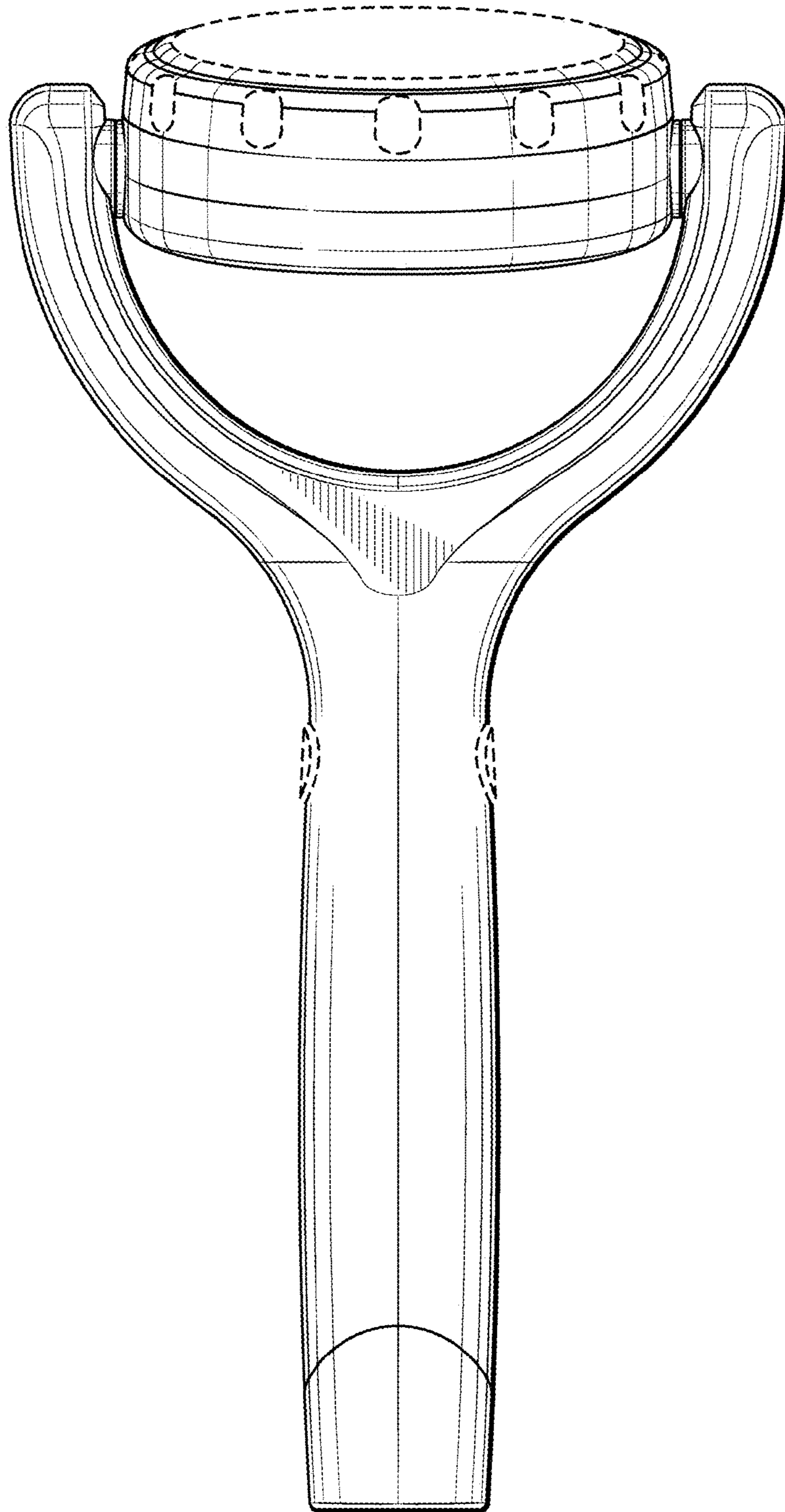


FIG. 14