



US00D700274S

(12) **United States Design Patent**
Knight et al.

(10) **Patent No.:** **US D700,274 S**

(45) **Date of Patent:** **** Feb. 25, 2014**

- (54) **HYPOCHLORITE INJECTOR**
- (71) Applicant: **Severn Trent De Nora, LLC**, Sugar Land, TX (US)
- (72) Inventors: **Larry Knight**, Sugar Land, TX (US);
Rudolf Matousek, Richmond, TX (US);
William Burroughs, Sealy, TX (US);
Lucette Falcon, Houston, TX (US)
- (73) Assignee: **Severn Trent De Nora, LLC**, Sugar Land, TX (US)
- (**) Term: **14 Years**
- (21) Appl. No.: **29/453,774**
- (22) Filed: **May 2, 2013**

Related U.S. Application Data

- (63) Continuation of application No. 13/206,192, filed on Aug. 9, 2011.
- (51) **LOC (10) Cl.** **23-01**
- (52) **U.S. Cl.**
USPC **D23/207**
- (58) **Field of Classification Search**
USPC D23/207-209; 210/756, 749
See application file for complete search history.

(56) **References Cited**

U.S. PATENT DOCUMENTS

2,272,818	A	2/1942	Peirce	
5,008,075	A	4/1991	Rufolo	
D342,987	S *	1/1994	Newhard	D32/25
5,447,641	A *	9/1995	Wittig	210/756
5,518,700	A	5/1996	Ayoub et al.	
5,914,034	A	6/1999	Ding et al.	
6,165,372	A *	12/2000	Ziemer et al.	210/749
6,752,930	B2 *	6/2004	Alexander	210/739

6,767,008	B2 *	7/2004	Shane	261/77
6,840,983	B2	1/2005	McNulty	
6,923,901	B2	8/2005	Leffler et al.	
7,172,704	B1 *	2/2007	Kroesser et al.	210/744
D612,007	S *	3/2010	Brockdorff	D23/207
D619,201	S *	7/2010	Westrum	D23/207
7,776,224	B2	8/2010	Okamoto et al.	
D645,116	S *	9/2011	McKean et al.	D23/207
D648,821	S *	11/2011	McKean et al.	D23/207
8,293,118	B2 *	10/2012	Miller et al.	210/747.5
2002/0185552	A1	12/2002	Adamson et al.	
2004/0099608	A1	5/2004	Leffler et al.	
2009/0297410	A1	12/2009	Lobet et al.	

FOREIGN PATENT DOCUMENTS

GB	602666	A	9/1946
GB	1453469	A	10/1976
WO	2005044432	A2	5/2005

OTHER PUBLICATIONS

International Search Report and Written Opinion for co-pending PCT patent application No. PCT/US2011/055188 dated Mar. 2, 2012.

* cited by examiner

Primary Examiner — Robin V Webster

(74) *Attorney, Agent, or Firm* — D'Ambrosio & Menon, PLLC; Usha Menon

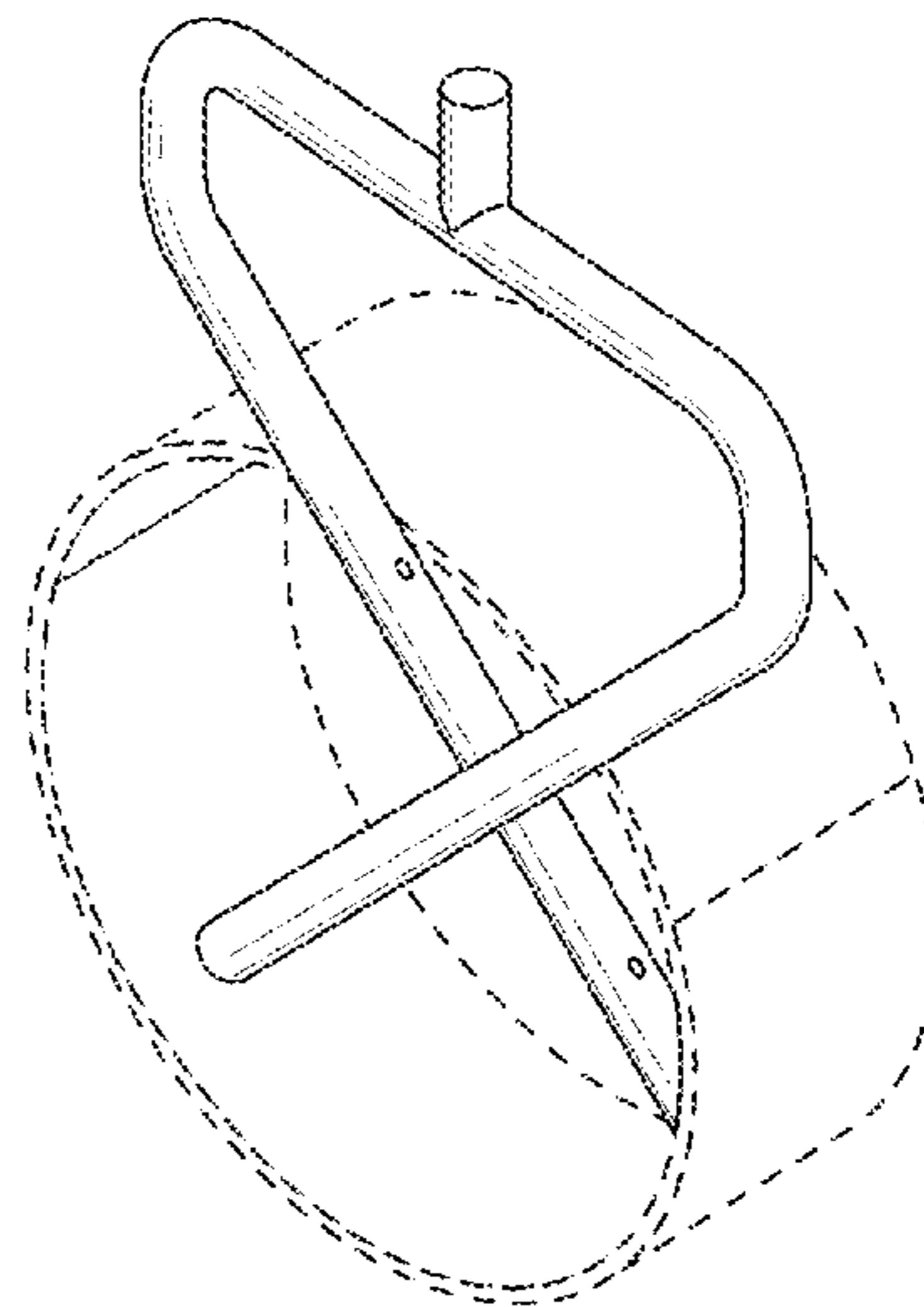
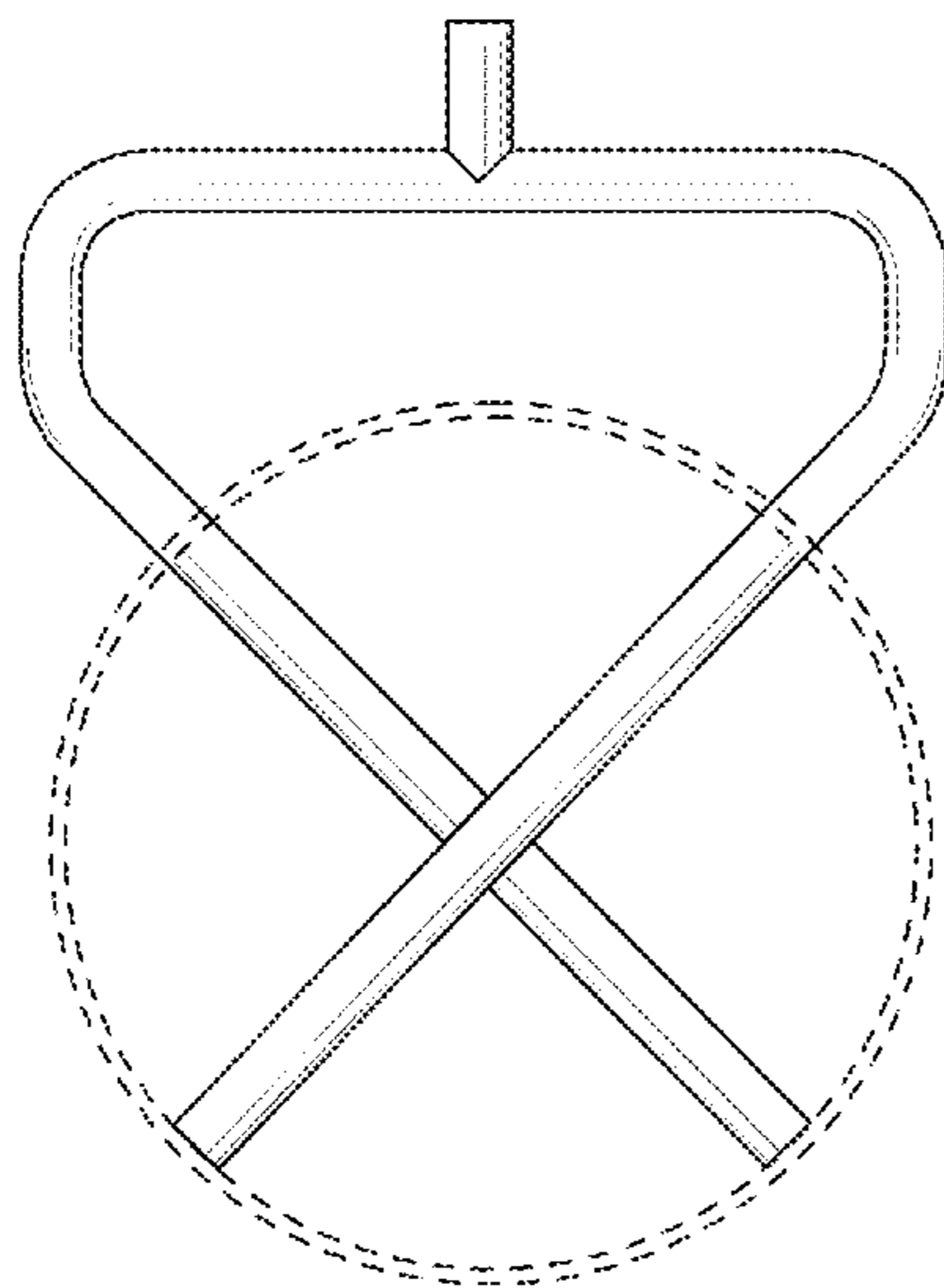
(57) **CLAIM**

The ornamental design for a hypochlorite injector, as shown and described.

DESCRIPTION

FIG. 1 is a perspective view of our novel and non-obvious design of a hypochlorite injector in a main ballast line. FIG. 2 is a perspective view of a hypochlorite injector. FIG. 3 is a front view of a hypochlorite injector; and, FIG. 4 is a perspective view of a hypochlorite injector.

1 Claim, 2 Drawing Sheets



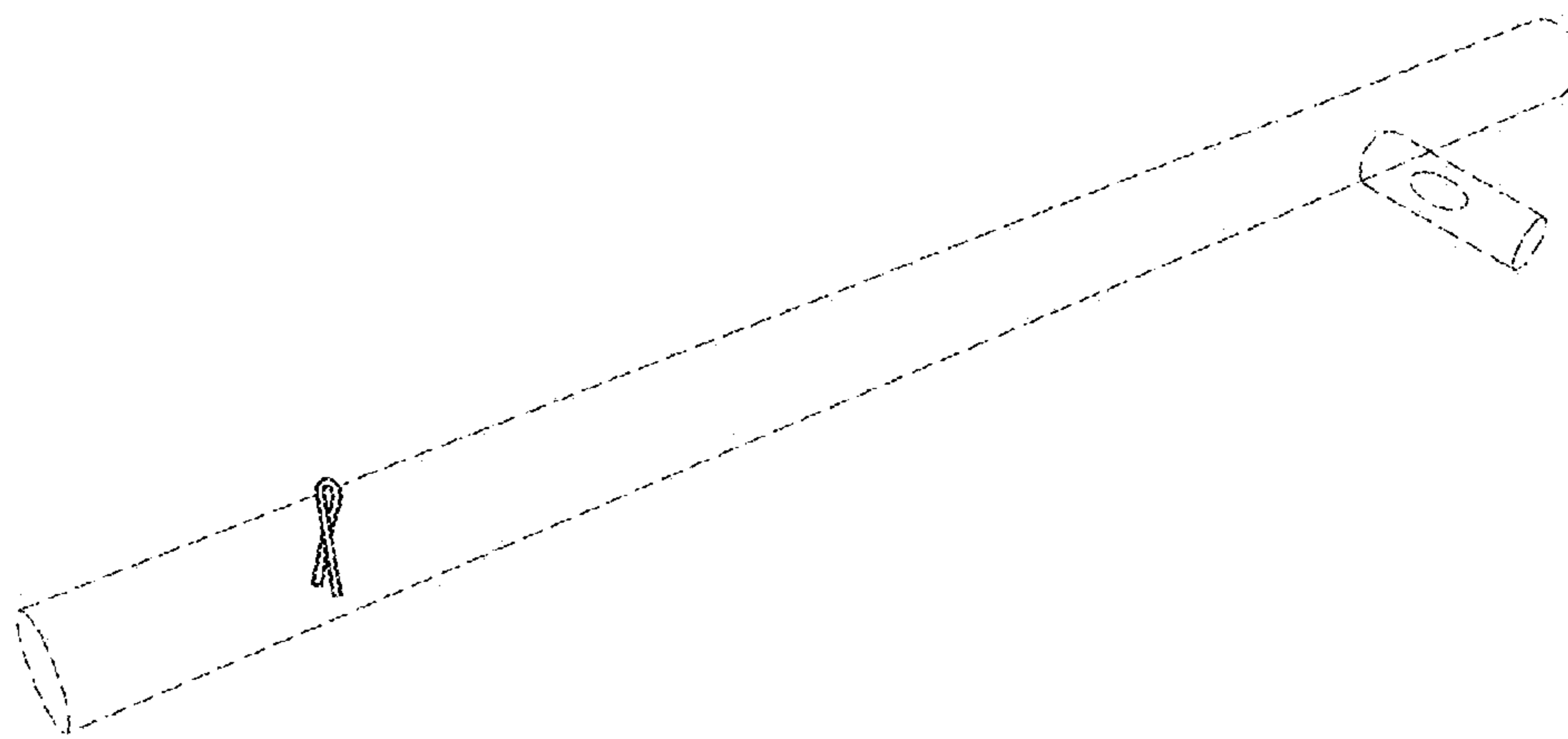


FIG. 1

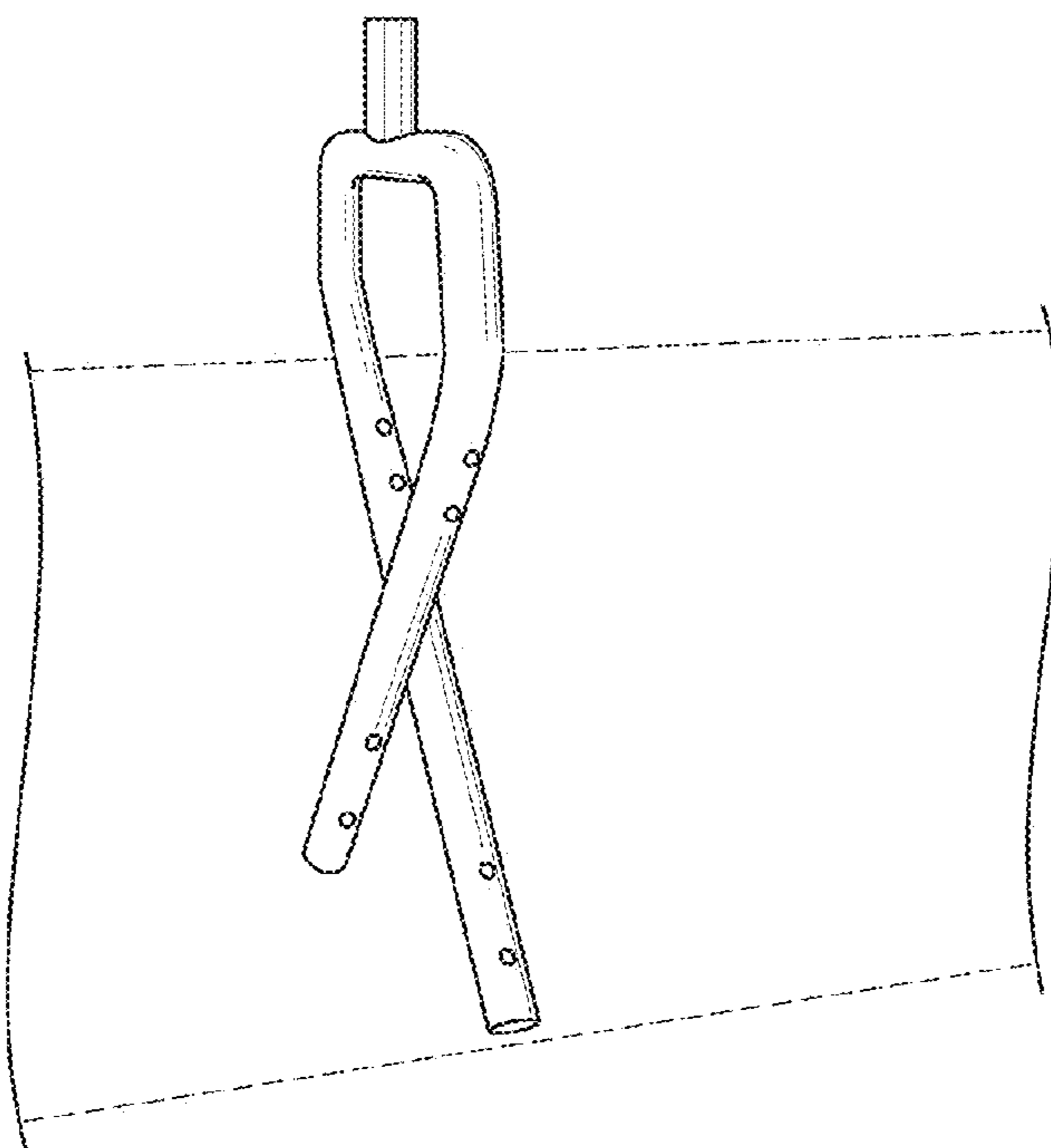


FIG. 2

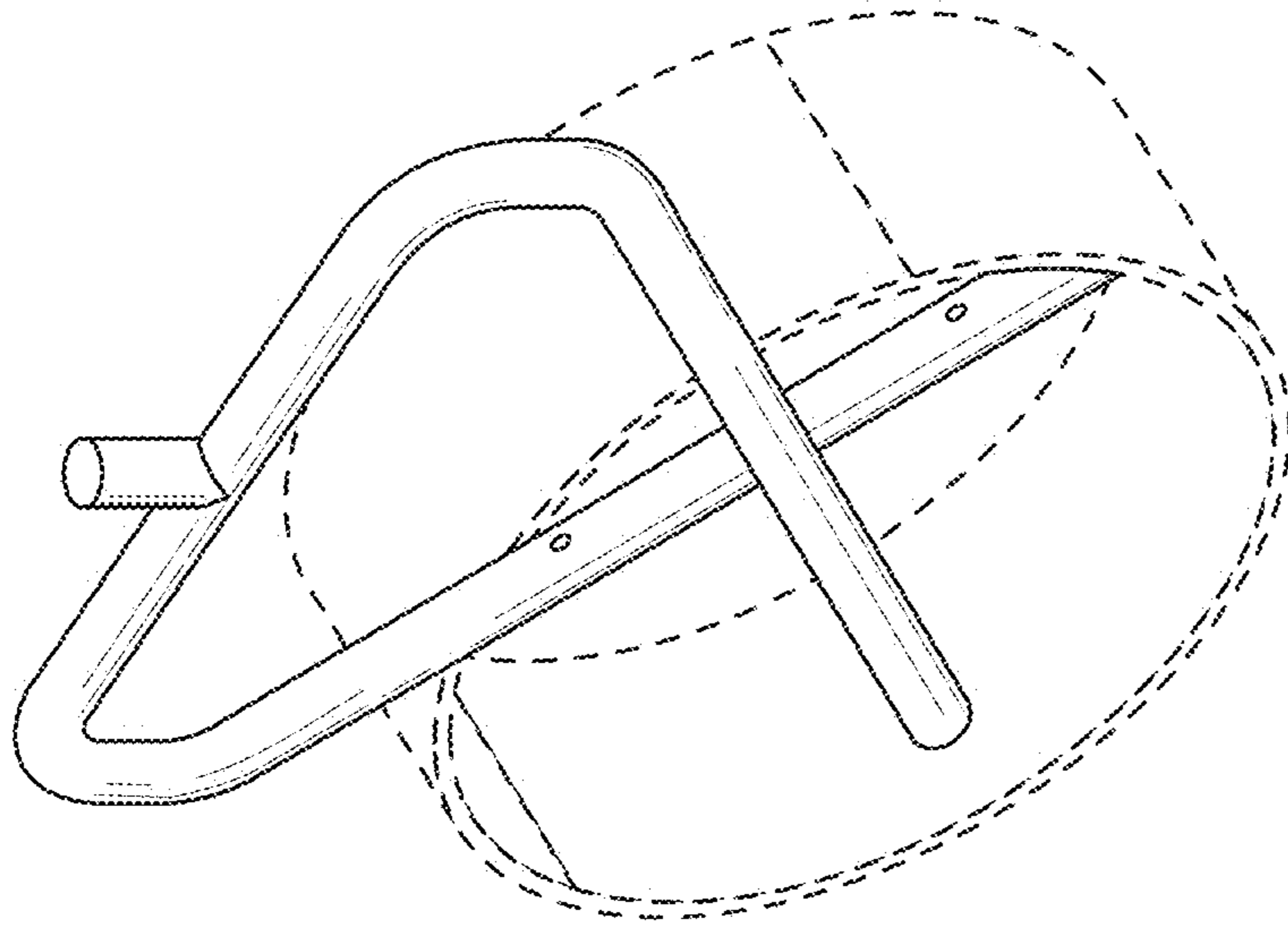


FIG. 4

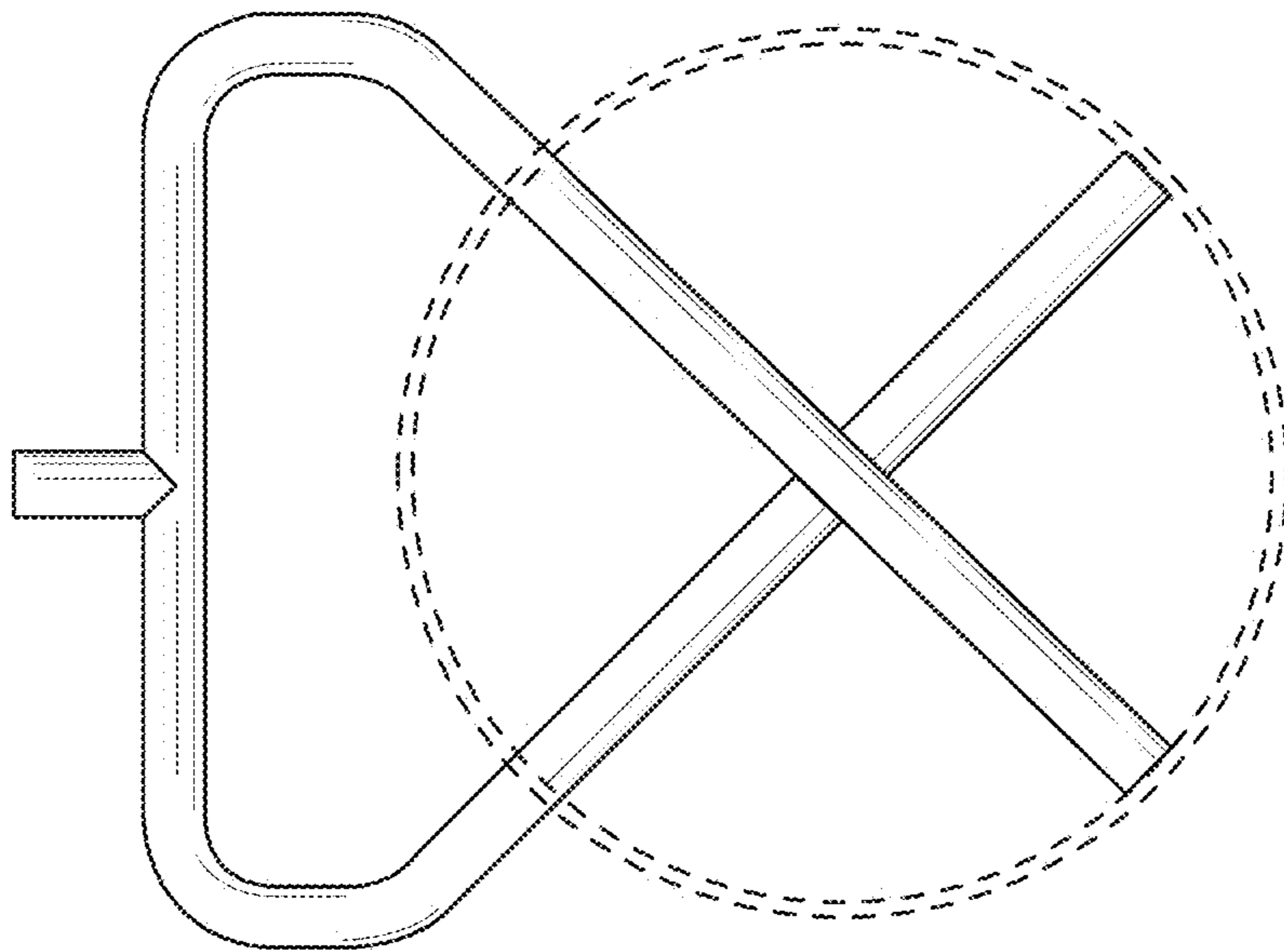


FIG. 3