



US00D700273S

(12) **United States Design Patent**
Hoefken

(10) **Patent No.:** **US D700,273 S**

(45) **Date of Patent:** **** Feb. 25, 2014**

(54) **DECANTER**

(75) Inventor: **Marcus Hoefken**, Erlangen (DE)

(73) Assignee: **Invent Umwelt-und Verfahrenstechnik AG**, Erlangen (DE)

(**) Term: **14 Years**

(21) Appl. No.: **29/421,134**

(22) Filed: **May 29, 2012**

(30) **Foreign Application Priority Data**

Dec. 8, 2011 (EM) 001959552

(51) **LOC (10) Cl.** **23-01**

(52) **U.S. Cl.**
USPC **D23/207**

(58) **Field of Classification Search**

USPC D23/207, 209; D32/40, 41; 210/219,
210/528

See application file for complete search history.

(56) **References Cited**

U.S. PATENT DOCUMENTS

D28,990 S * 7/1898 Cumming D32/41
3,879,296 A * 4/1975 Schneider 210/512.1
4,390,429 A * 6/1983 Lejeune et al. 210/519
7,871,516 B2 * 1/2011 Hoefken 210/242.1

* cited by examiner

Primary Examiner — Robin V Webster

(74) *Attorney, Agent, or Firm* — Manabu Kanesaka

(57) **CLAIM**

The ornamental design for a decanter, as shown and described.

DESCRIPTION

FIG. 1 is a perspective view of a decanter showing my new design;

FIG. 2 is another perspective view thereof;

FIG. 3 is a plan view thereof;

FIG. 4 is a bottom view thereof;

FIG. 5 is a front view thereof;

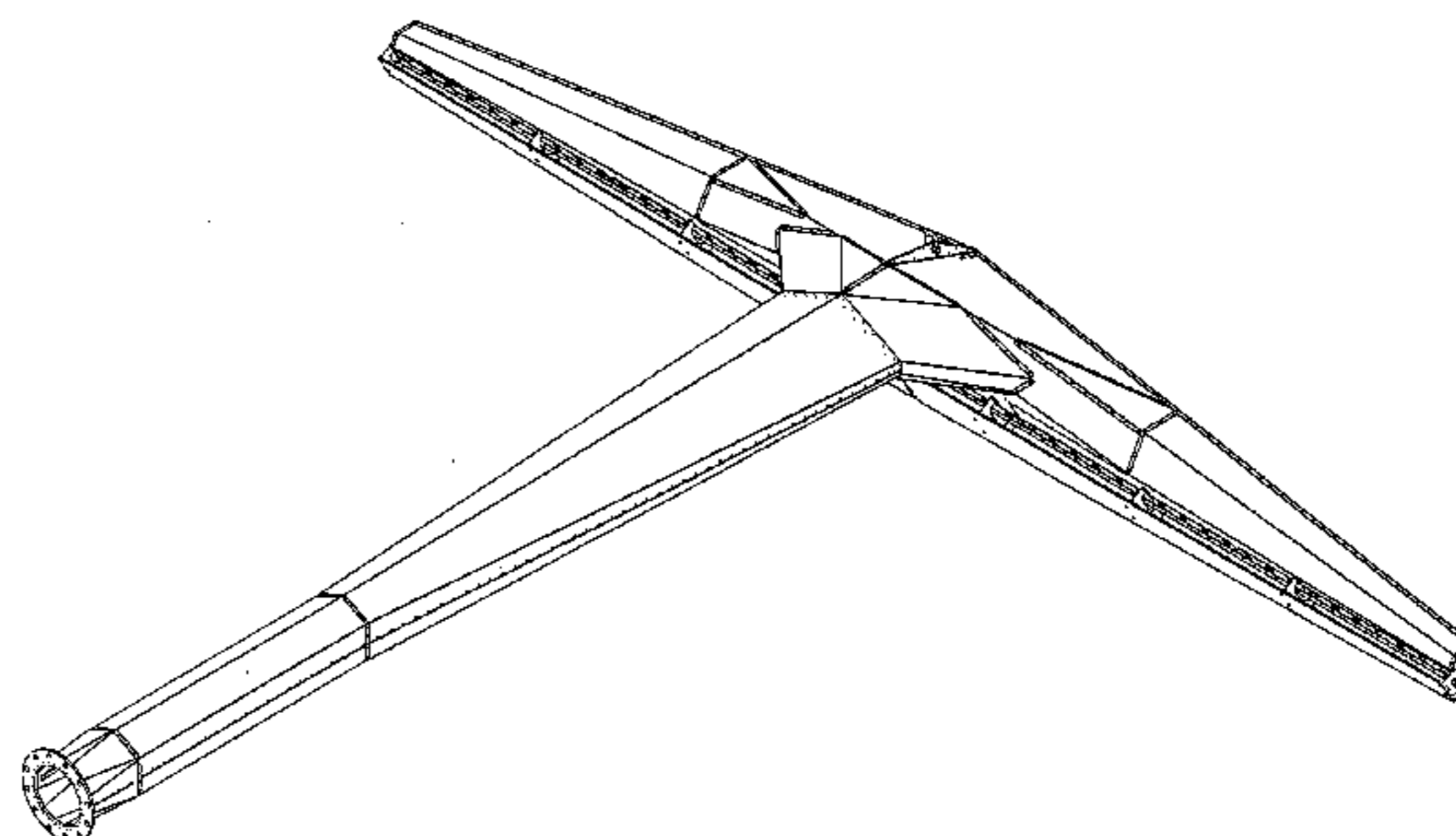
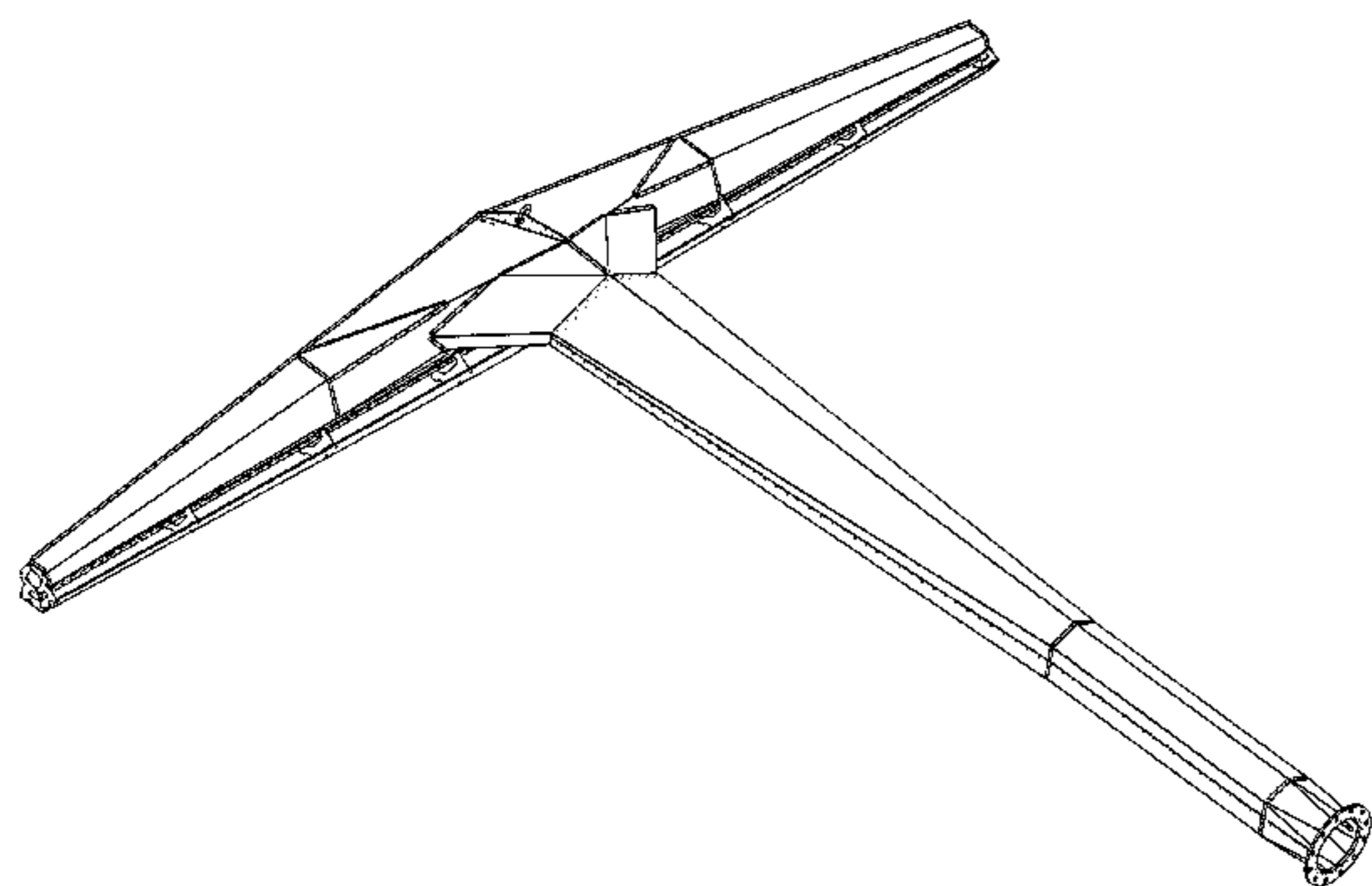
FIG. 6 is a rear view thereof;

FIG. 7 is a right side view thereof; and,

FIG. 8 is a left side view thereof.

Outer thick lines indicate outer shapes of the decanter and the head of the decanter, and inner thin lines indicate inner contour of the the decanter and the head of the decanter for illustration purpose.

1 Claim, 6 Drawing Sheets



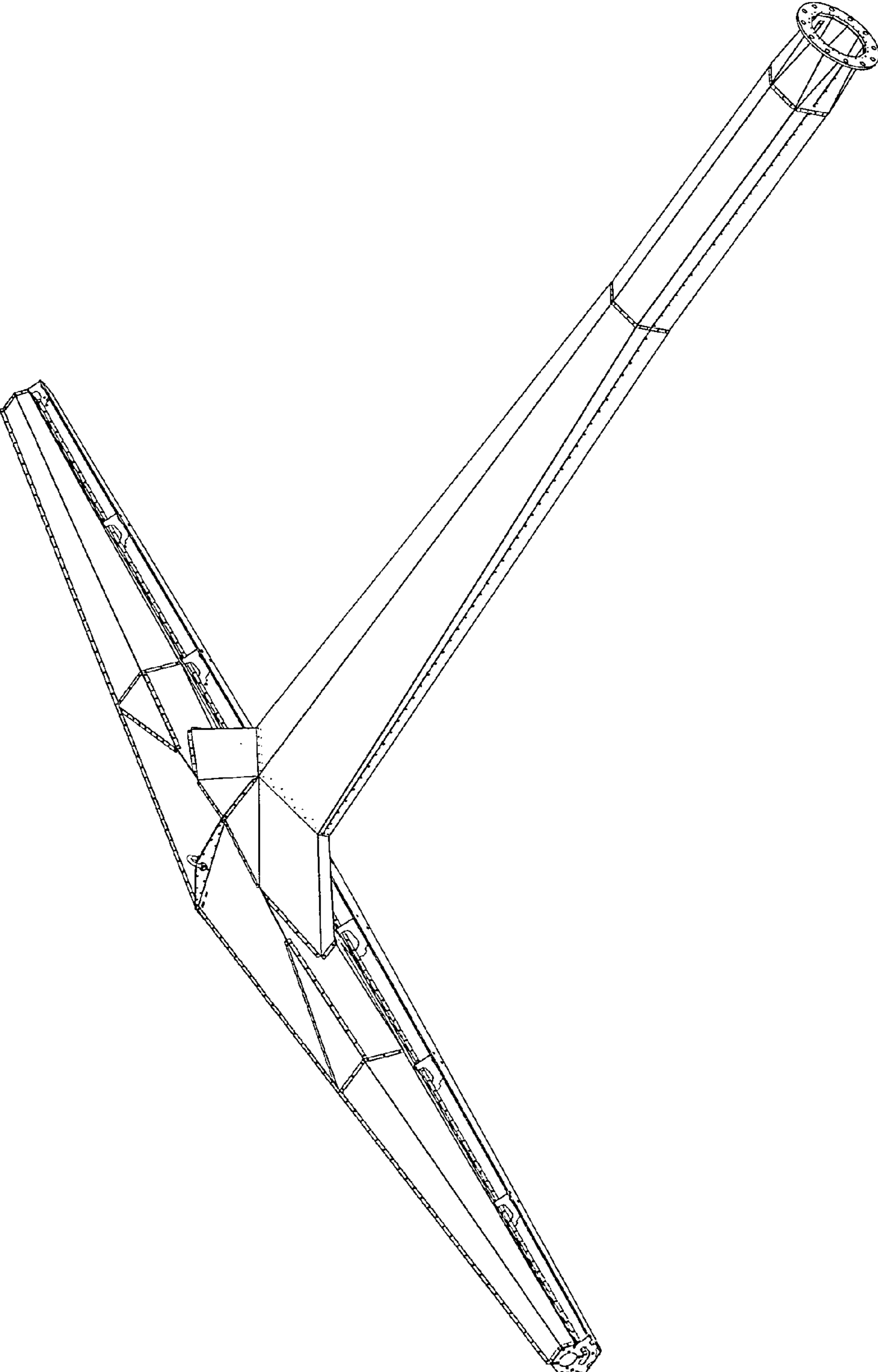


FIG. 1

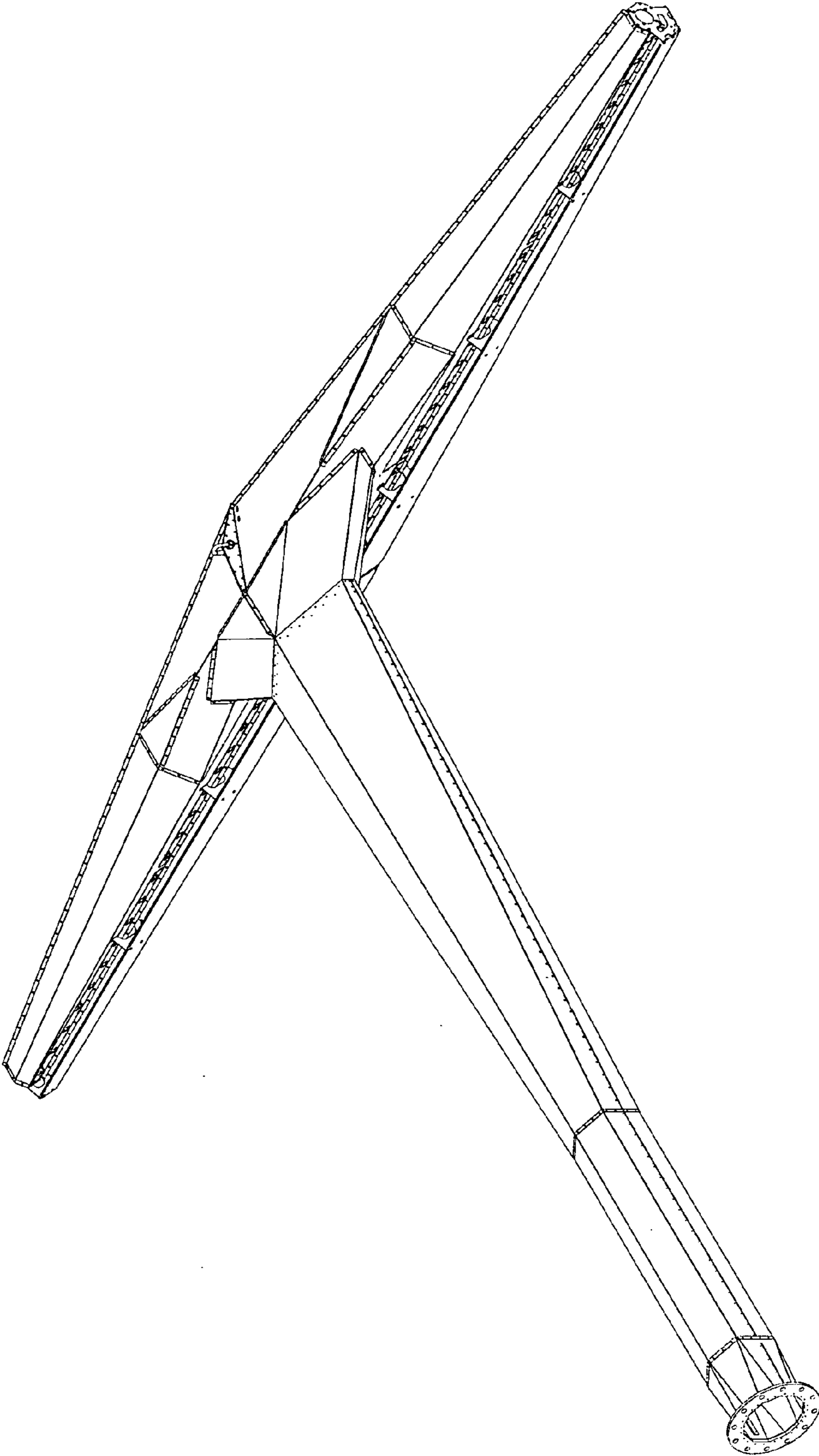


FIG. 2

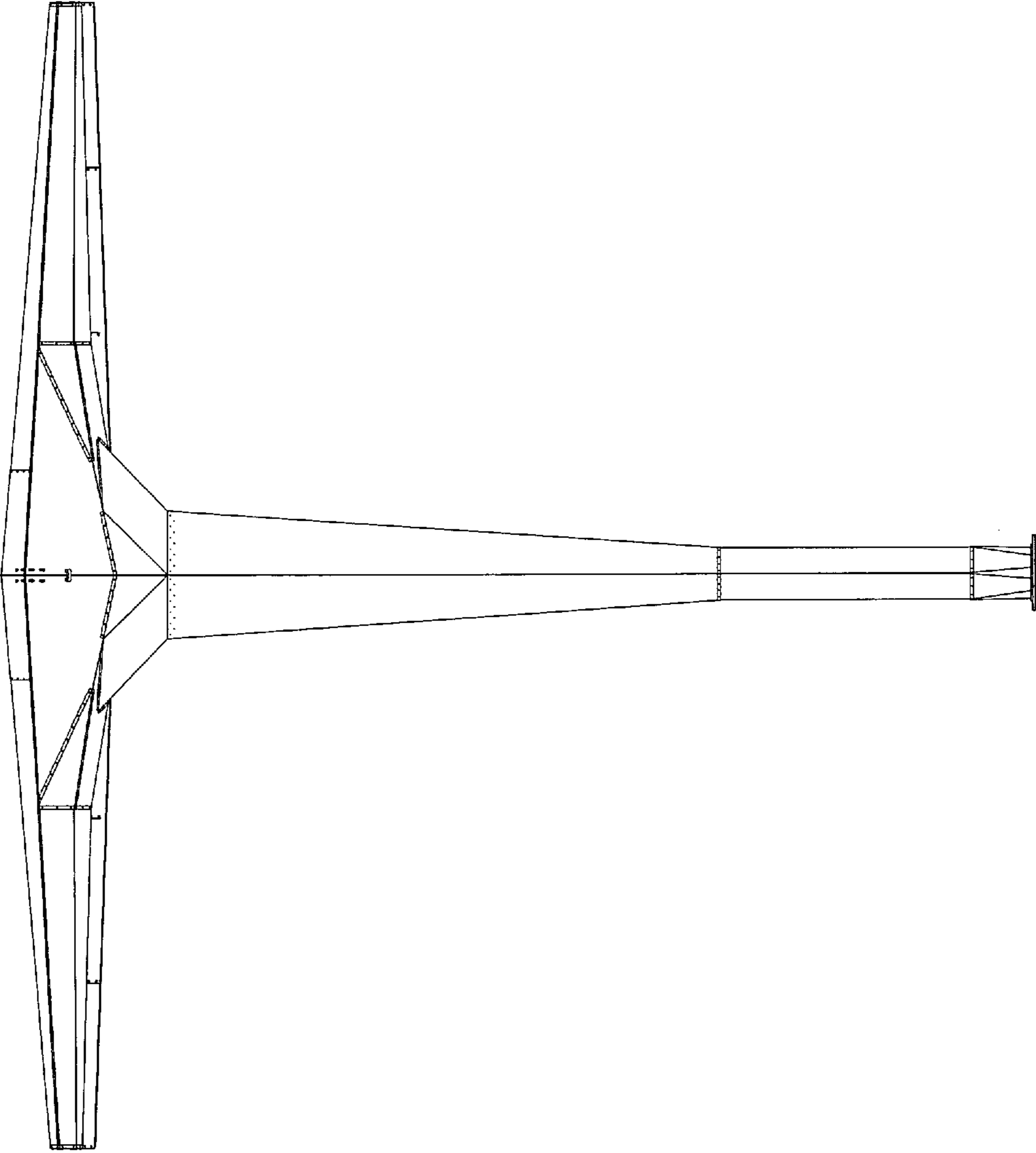


FIG. 3

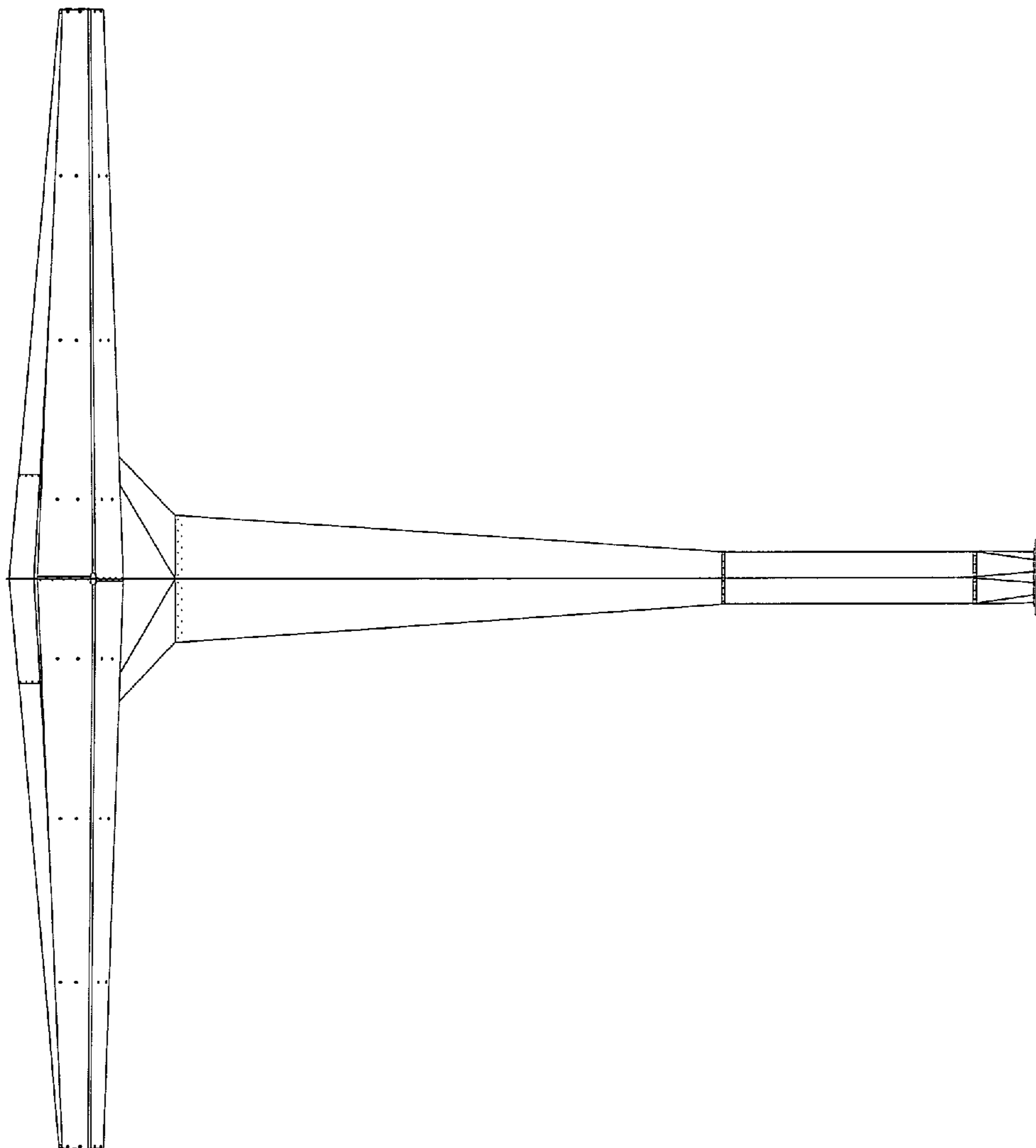


FIG. 4

FIG. 5

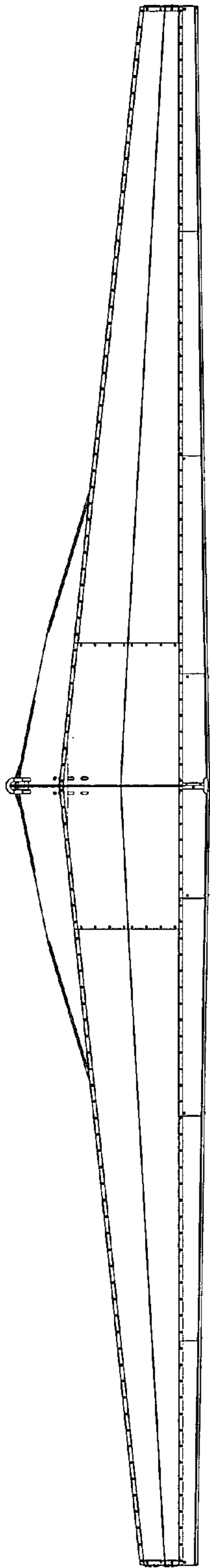


FIG. 6

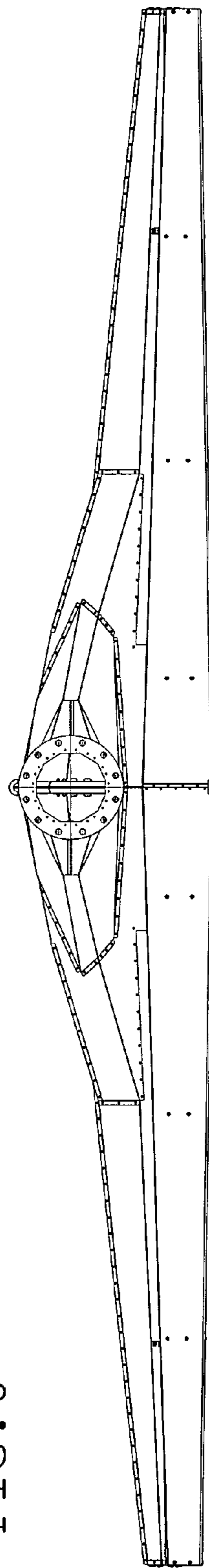


FIG. 7

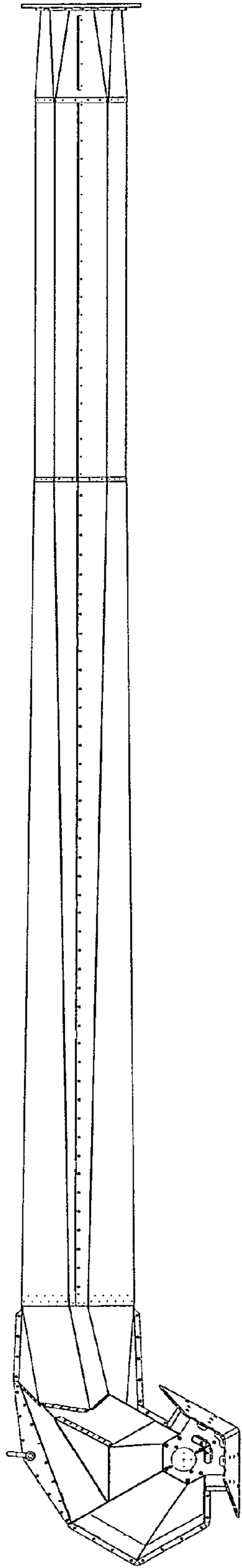


FIG. 8

