



US00D700271S

(12) **United States Design Patent**  
**McCune**

(10) **Patent No.:** **US D700,271 S**

(45) **Date of Patent:** **\*\* Feb. 25, 2014**

- (54) **SPINCAST FISHING REEL BODY**
- (71) Applicant: **W.C. Bradley/Zebco Holdings, Inc.**,  
Tulsa, OK (US)
- (72) Inventor: **Clark Patrick McCune**, Jenks, OH  
(US)
- (73) Assignee: **W.C. Bradley/Zebco Holdings, Inc.**,  
Tulsa, OK (US)
- (\*\*) Term: **14 Years**
- (21) Appl. No.: **29/459,887**
- (22) Filed: **Jul. 3, 2013**
- (51) **LOC (10) Cl.** ..... **22-05**
- (52) **U.S. Cl.**  
USPC ..... **D22/141**
- (58) **Field of Classification Search**  
USPC ..... D22/141, 140, 137-139; 242/223-224,  
242/230, 283, 322, 241-243, 227;  
43/19-22  
See application file for complete search history.

6,000,652 A	12/1999	Zwayer et al.	
6,070,822 A	6/2000	Zwayer et al.	
6,138,935 A	10/2000	Zwayer et al.	
D459,430 S	6/2002	Burke	
D460,994 S	7/2002	Burke	
D482,753 S	11/2003	Burke	
D491,998 S *	6/2004	Burke	..... D22/140
D530,778 S *	10/2006	Young	..... D22/141

\* cited by examiner

*Primary Examiner* — Catheri Oliver-Garcia

(74) *Attorney, Agent, or Firm* — Fellers, Snider,  
Blankenship, Bailey & Tippens, P.C.

(57) **CLAIM**

The ornamental design for a spincast fishing reel body, as shown and described.

**DESCRIPTION**

FIG. 1 is a right front perspective view of the reel of the invention.  
 FIG. 2 is a front view of the reel of the invention.  
 FIG. 3 is a rear view of the reel of the invention.  
 FIG. 4 is a left side view of the reel of the invention  
 FIG. 5 is a right side view of the reel of the invention.  
 FIG. 6 is a top view of the reel of the invention.  
 FIG. 7 is a bottom view of the reel of the invention; and,  
 FIG. 8 is a left rear perspective view of the reel of the invention.

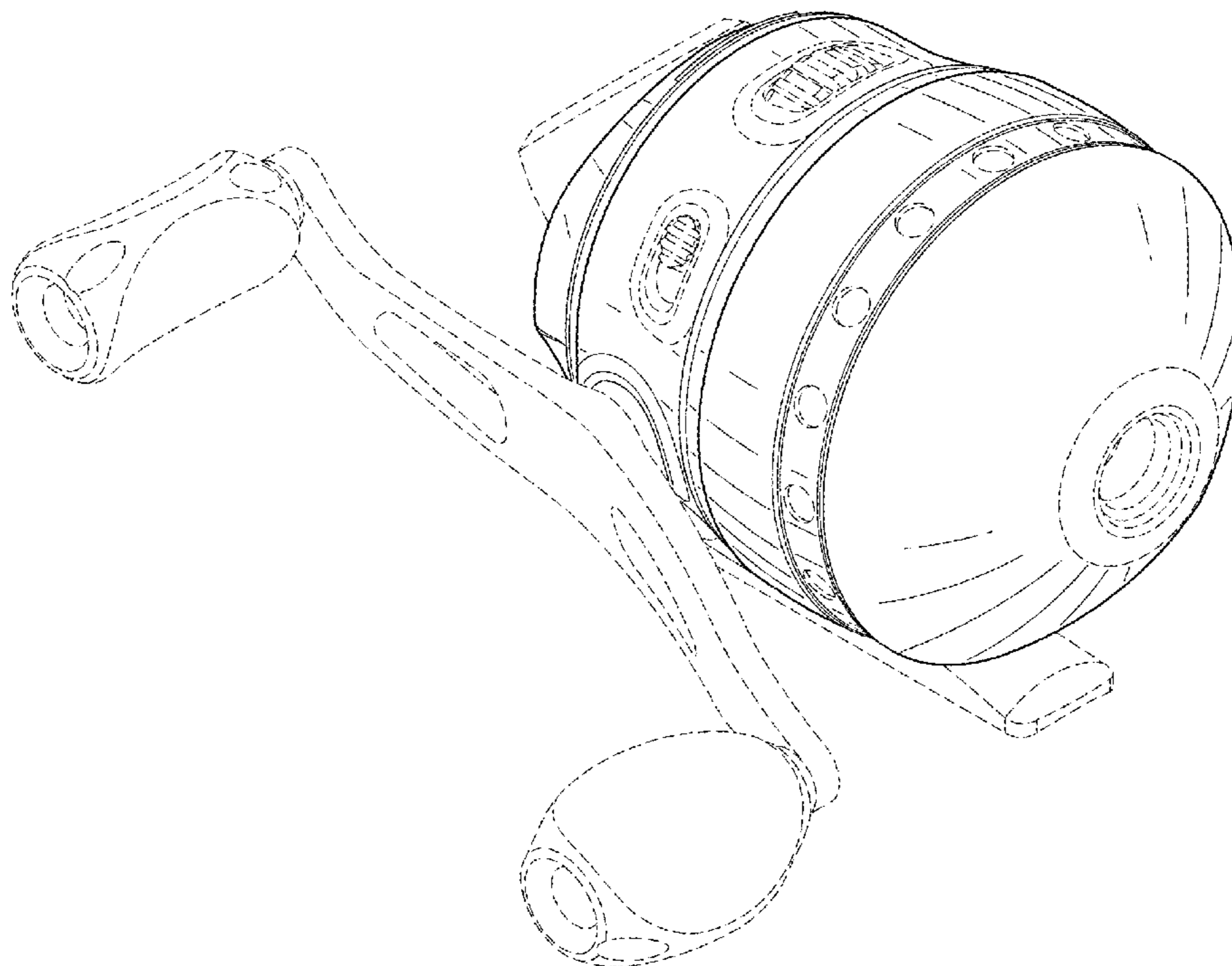
The broken lines in the Figures are for the purpose of illustrating the environment in which the design is associated and form no part of the claimed design.

**1 Claim, 6 Drawing Sheets**

(56) **References Cited**

**U.S. PATENT DOCUMENTS**

D290,987 S *	7/1987	Robbins et al.	.....	D22/141
D291,108 S *	7/1987	Robbins	.....	D22/141
D404,109 S	1/1999	Zwayer et al.		



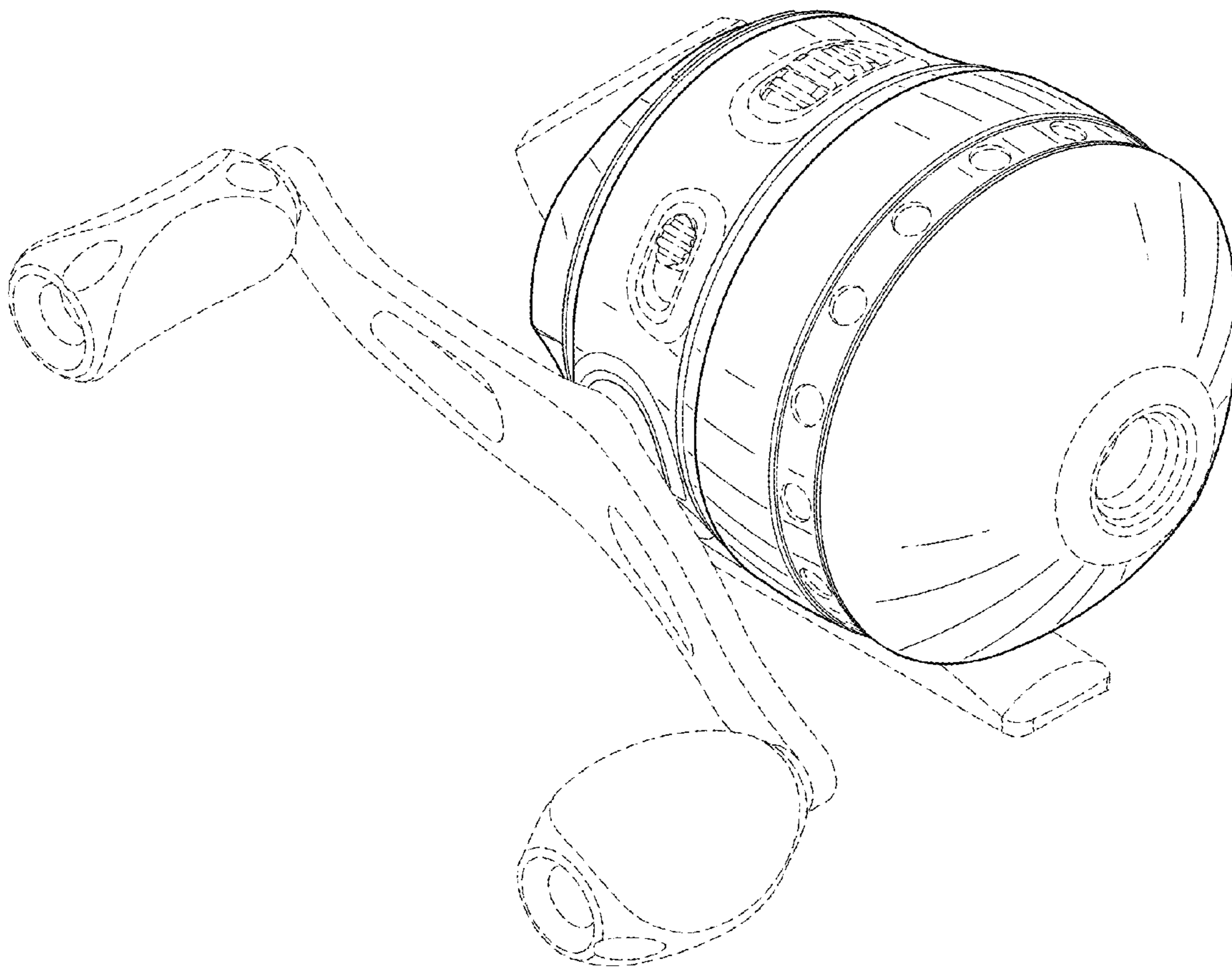


FIG. 1

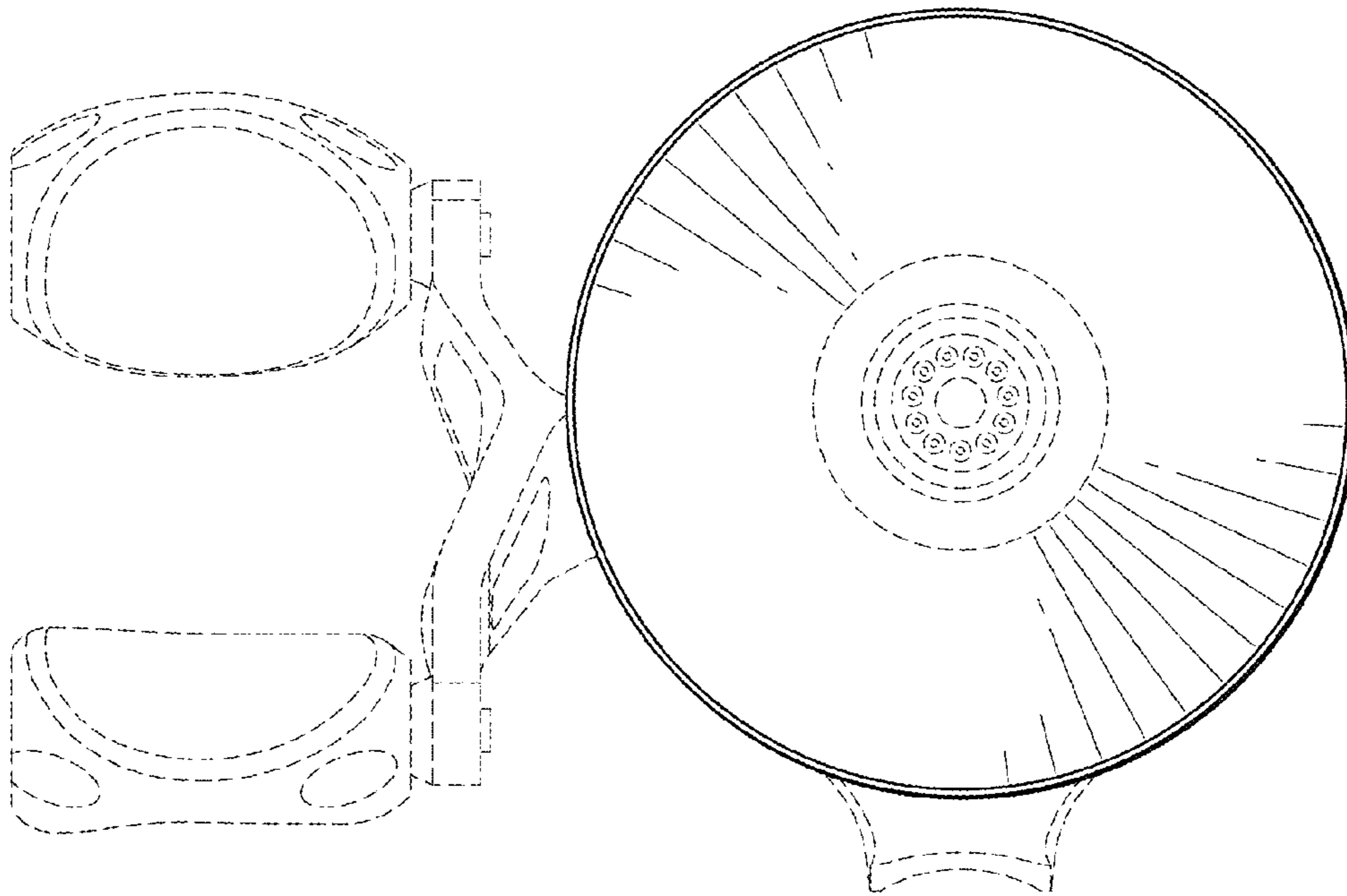


FIG. 2

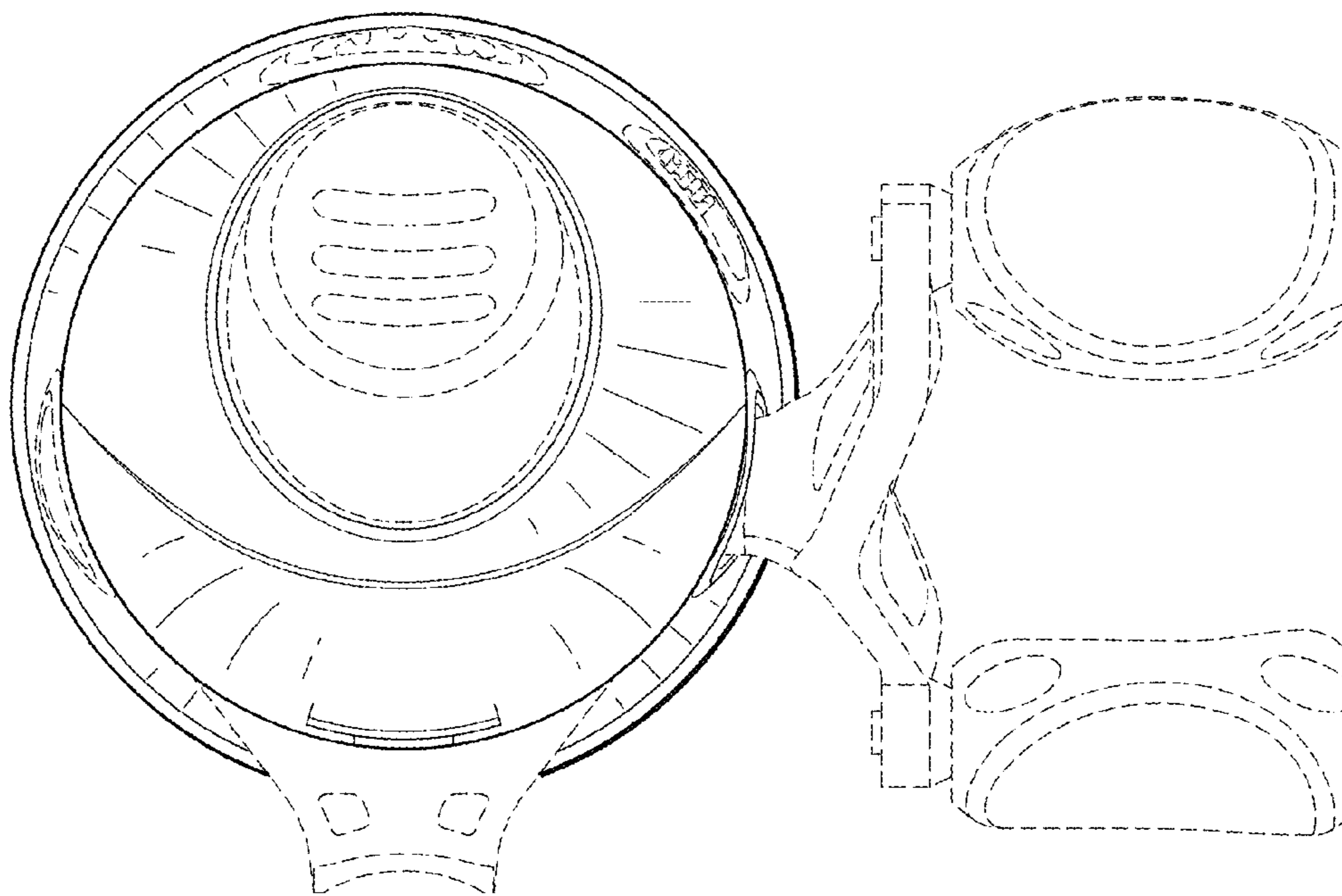


FIG. 3



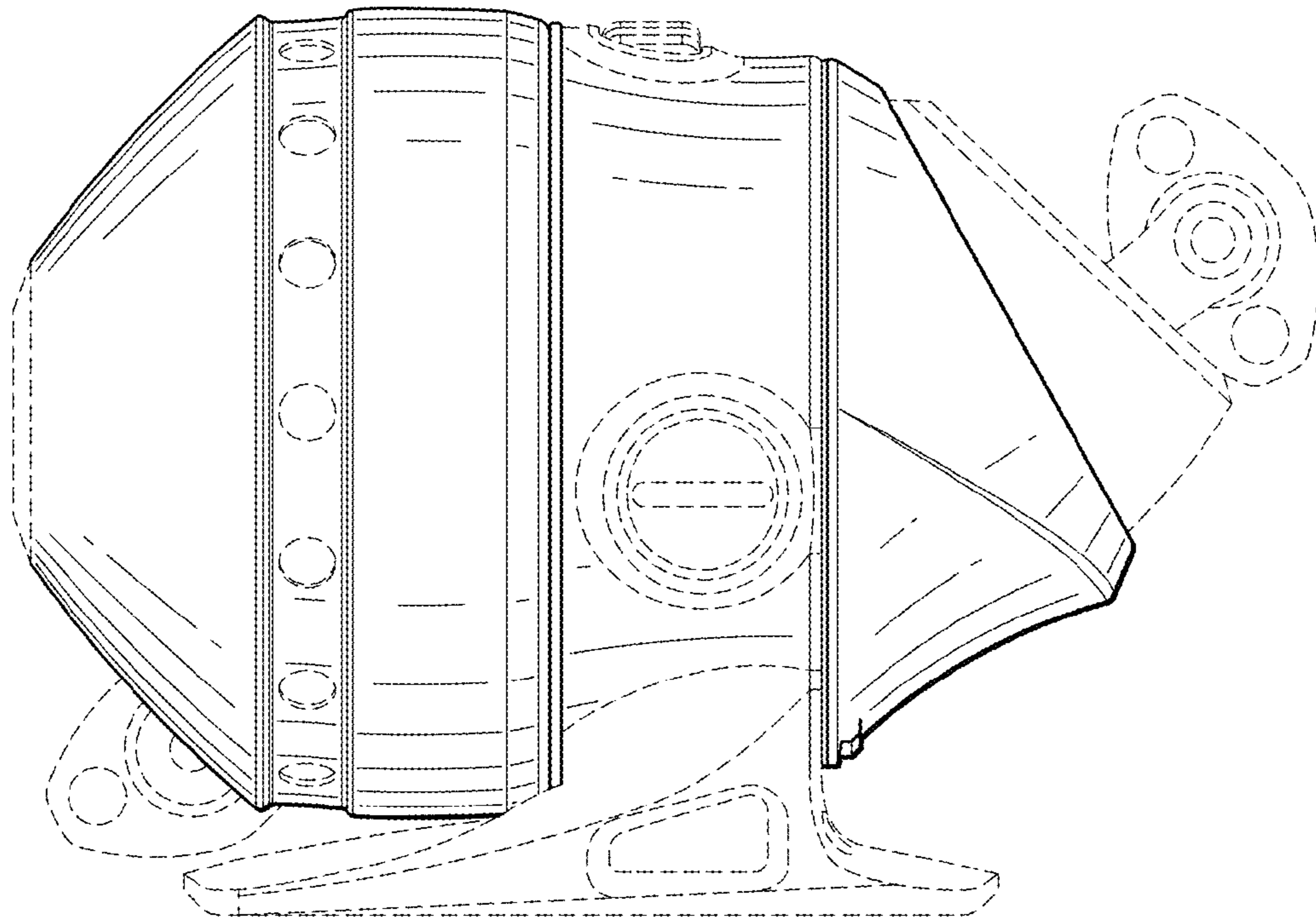


FIG. 4

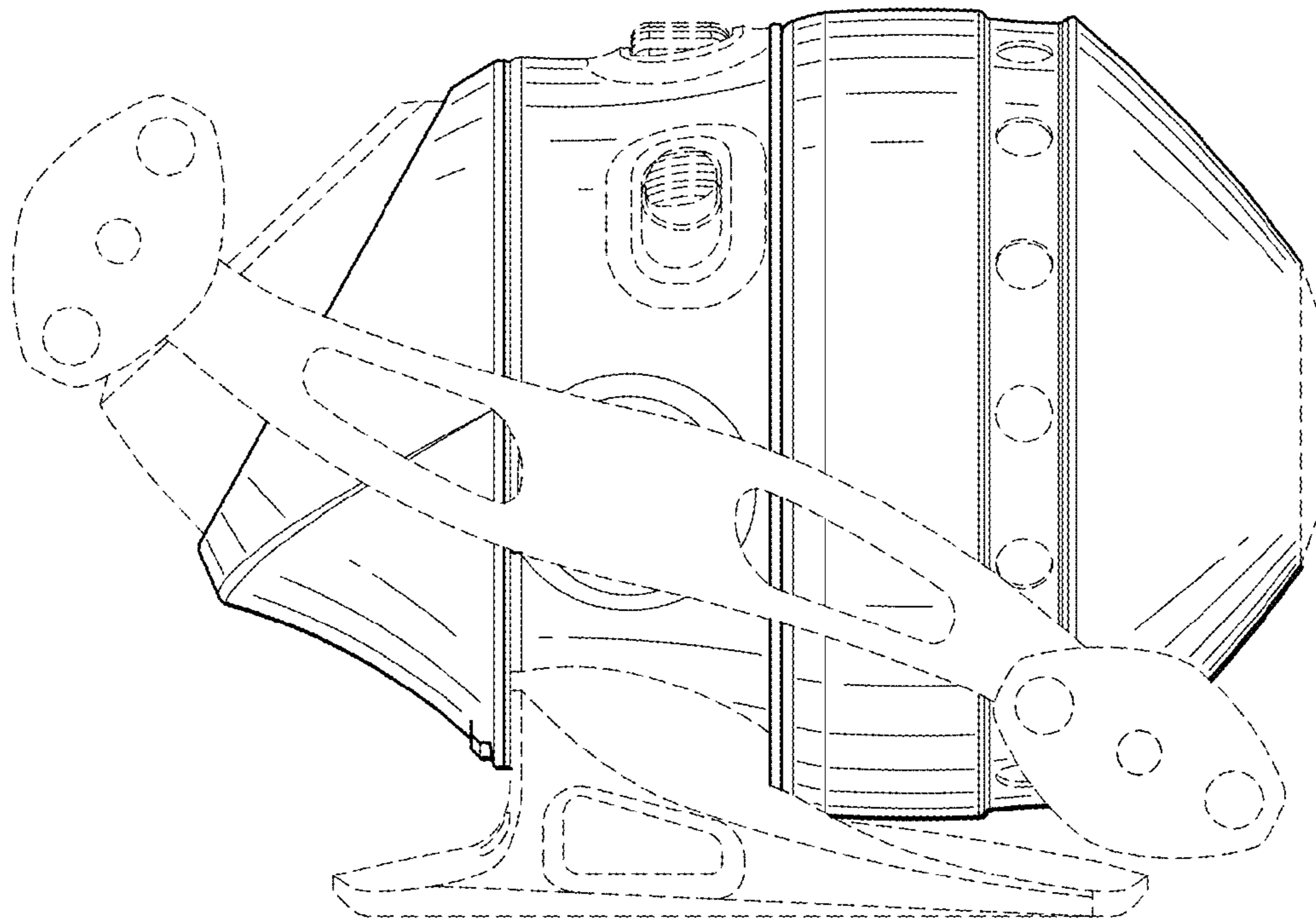


FIG. 5

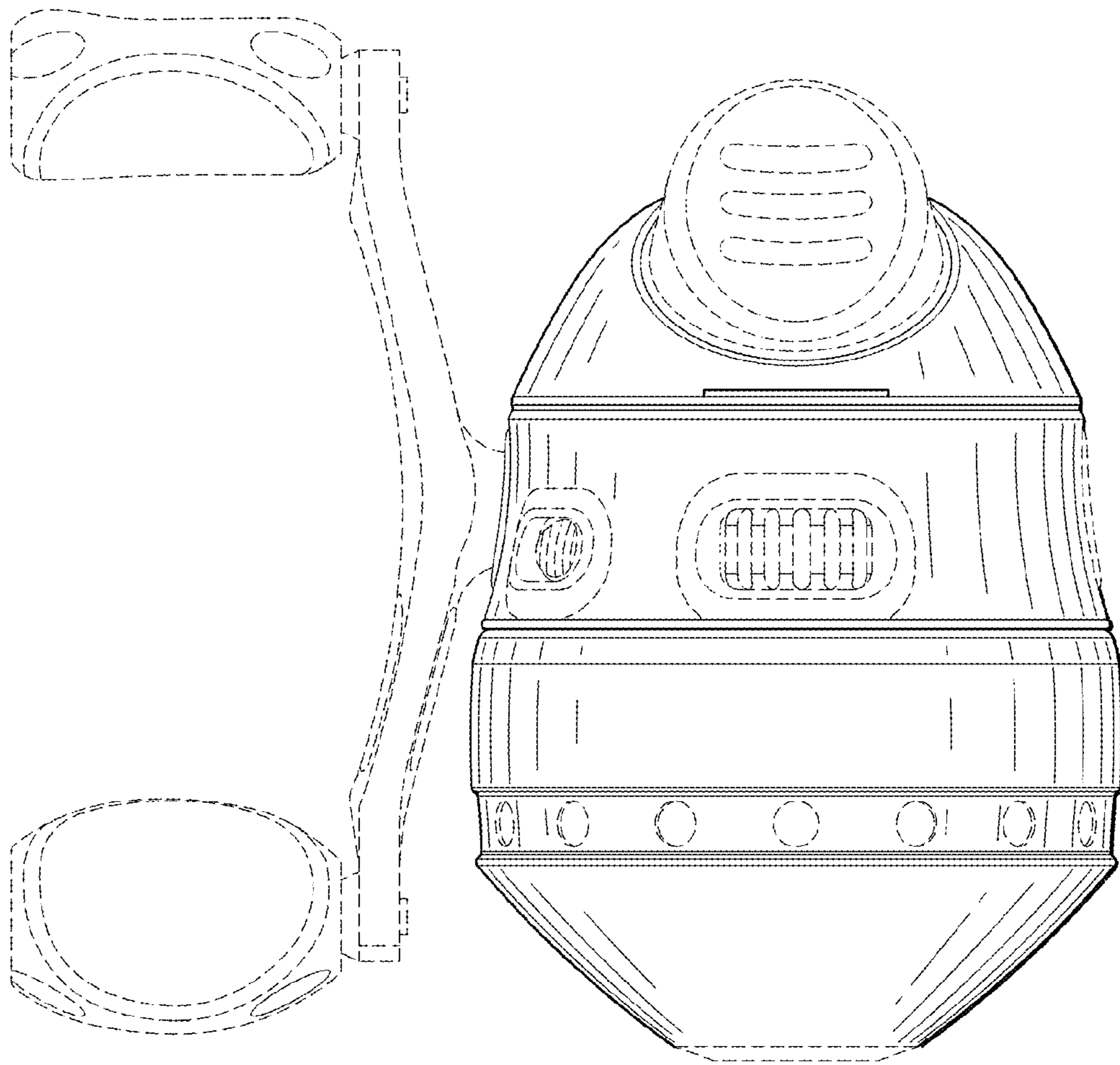
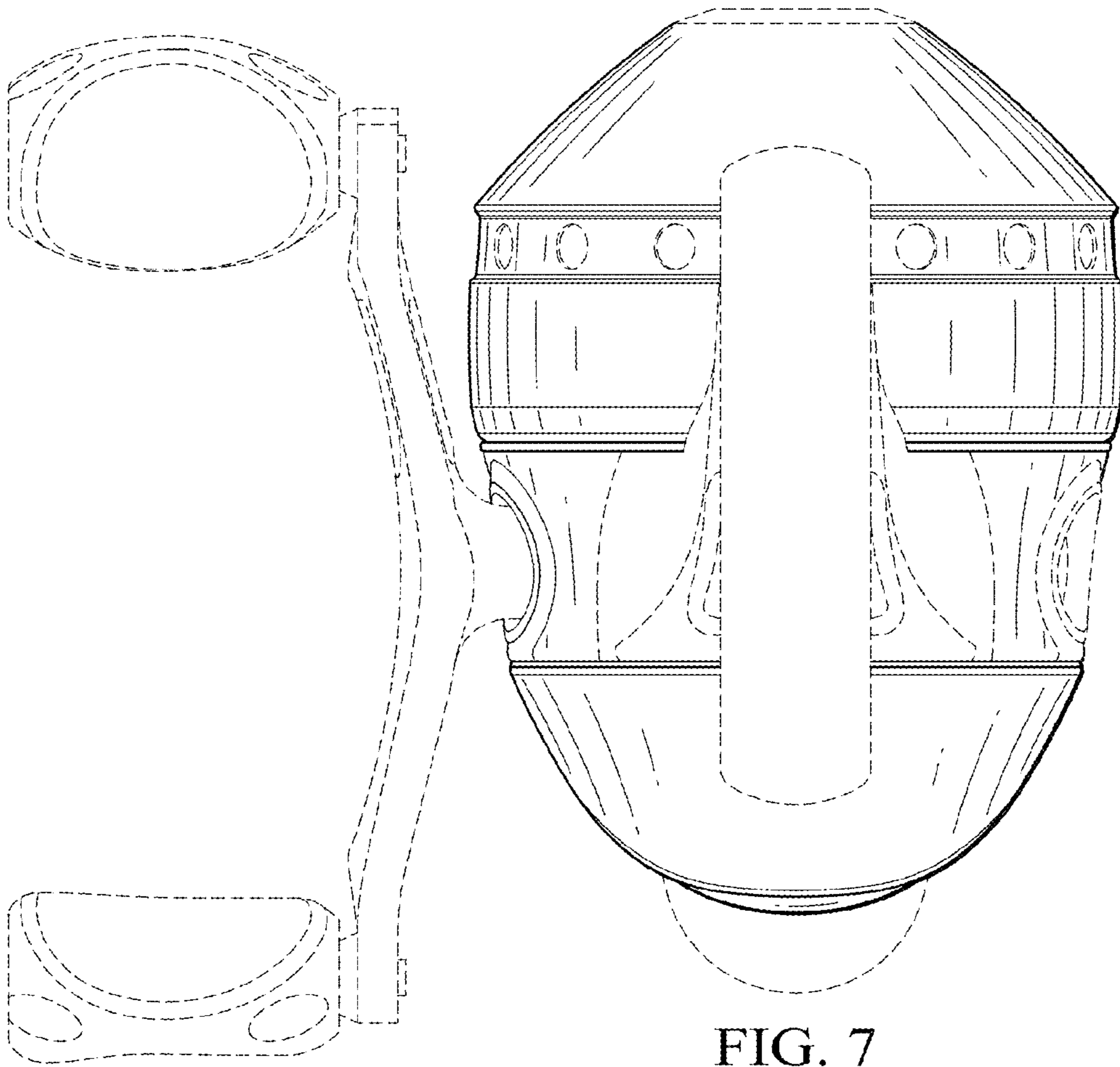


FIG. 6



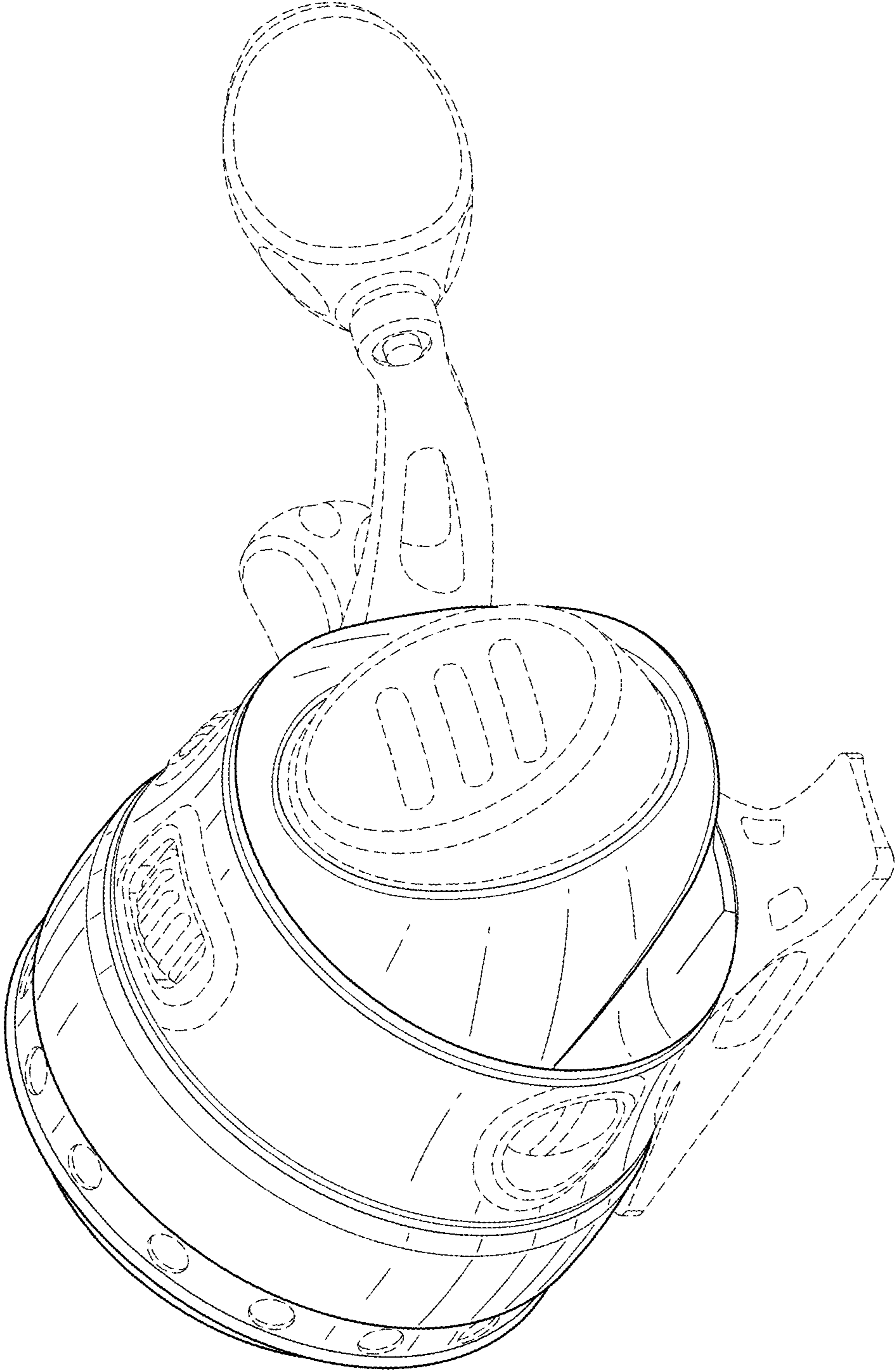


FIG. 8