



US00D700268S

(12) **United States Design Patent**
Hormberg

(10) **Patent No.:** **US D700,268 S**

(45) **Date of Patent:** **** Feb. 25, 2014**

(54) **FRONT SIGHT FOR A FIREARM**

7,946,074 B2 * 5/2011 Nemec 42/137
8,375,619 B2 * 2/2013 Hewes 42/136
2012/0180370 A1 * 7/2012 McKinley 42/146

(75) Inventor: **Brian Christopher Hormberg,**
Niceville, FL (US)

* cited by examiner

(73) Assignee: **Brian C. Hormberg,** Niceville, FL (US)

Primary Examiner — Michael A Pratt

(**) Term: **14 Years**

(57) **CLAIM**

The ornamental design for a front sight for a firearm, as shown and described.

(21) Appl. No.: **29/421,222**

DESCRIPTION

(22) Filed: **Jun. 13, 2012**

(51) **LOC (10) Cl.** **22-01**

(52) **U.S. Cl.**
USPC **D22/109**

(58) **Field of Classification Search**
USPC D22/108–109; 42/111–128; 89/1.61,
89/200–204; 356/247–256

See application file for complete search history.

FIG. 1 is a perspective view of my design for a front sight for a firearm;

FIG. 2 is a front view thereof;

FIG. 3 is a right side view thereof;

FIG. 4 is a left side view thereof;

FIG. 5 is a rear view thereof;

FIG. 6 is a top view thereof;

FIG. 7 is a bottom view thereof;

FIG. 8 is a sectional view thereof from the perspective indicated in FIG. 2;

FIG. 9 is a perspective view of a second embodiment of the design with no internal cutout;

FIG. 10 is a front view thereof;

FIG. 11 is a perspective view of a third embodiment of the design with a larger internal cutout and no groove on the front or rear; and,

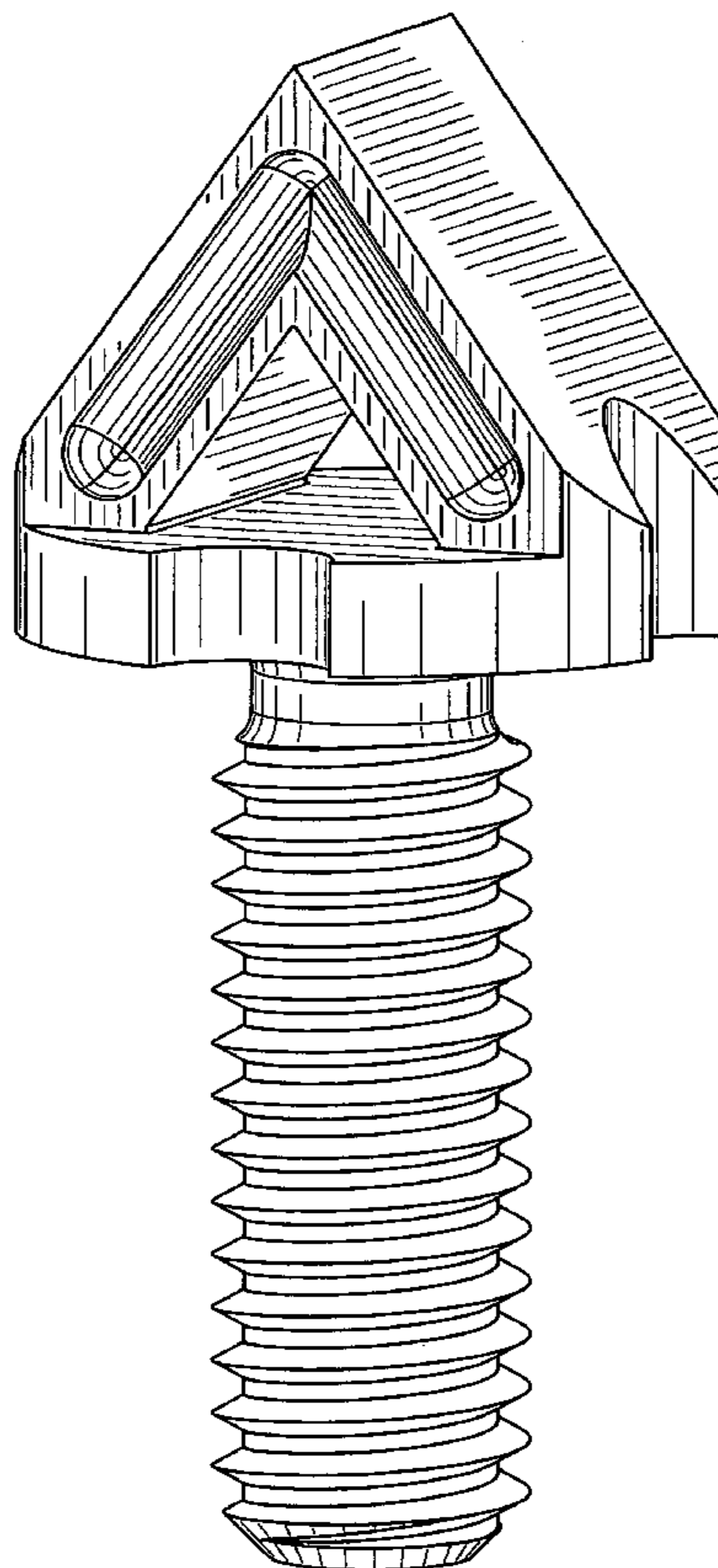
FIG. 12 is a front view thereof.

(56) **References Cited**

U.S. PATENT DOCUMENTS

2,531,421 A * 11/1950 Garand 42/137
4,021,926 A * 5/1977 Hrebar 42/137
6,068,483 A * 5/2000 Minor 434/19
6,886,289 B1 * 5/2005 Rigler 42/136
7,814,699 B2 * 10/2010 Storch et al. 42/137

1 Claim, 12 Drawing Sheets



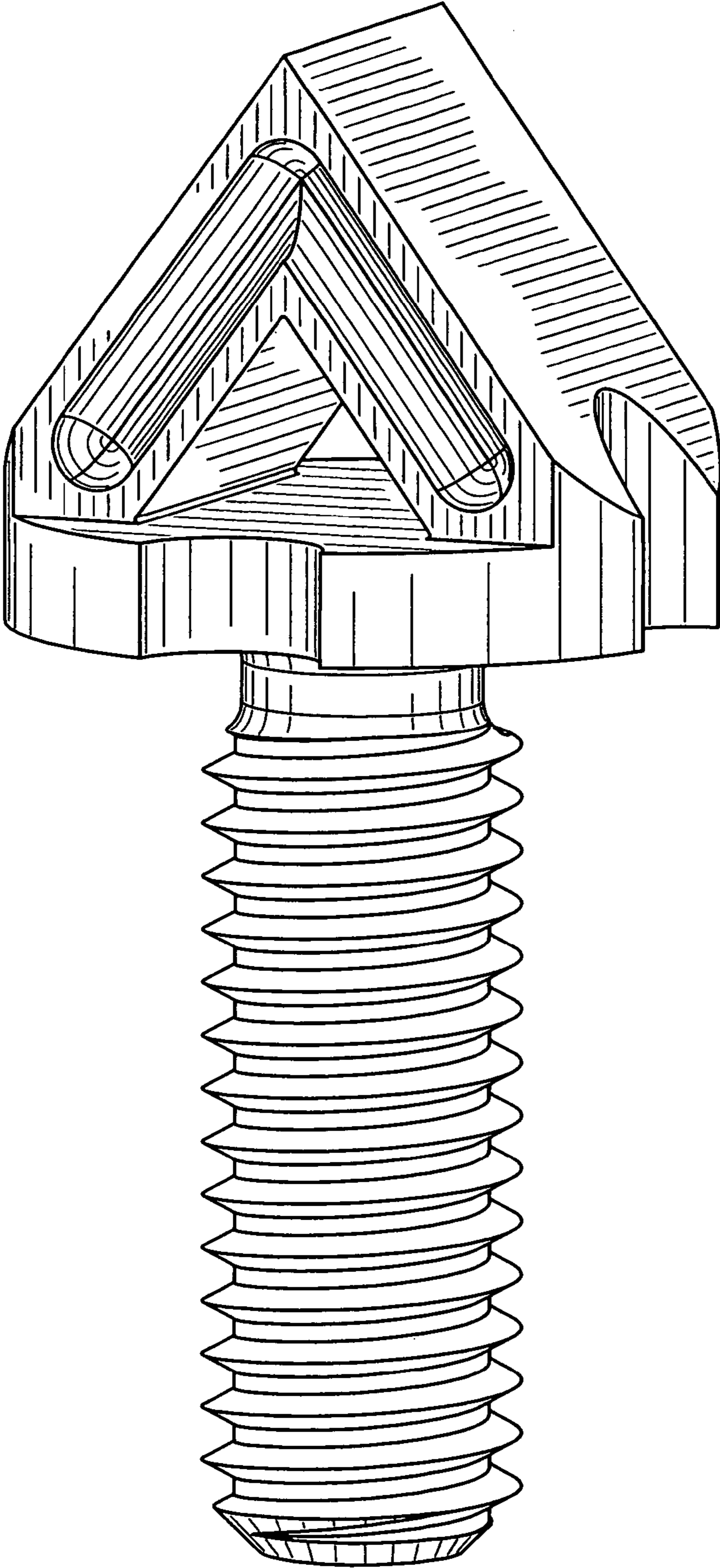


FIG. 1

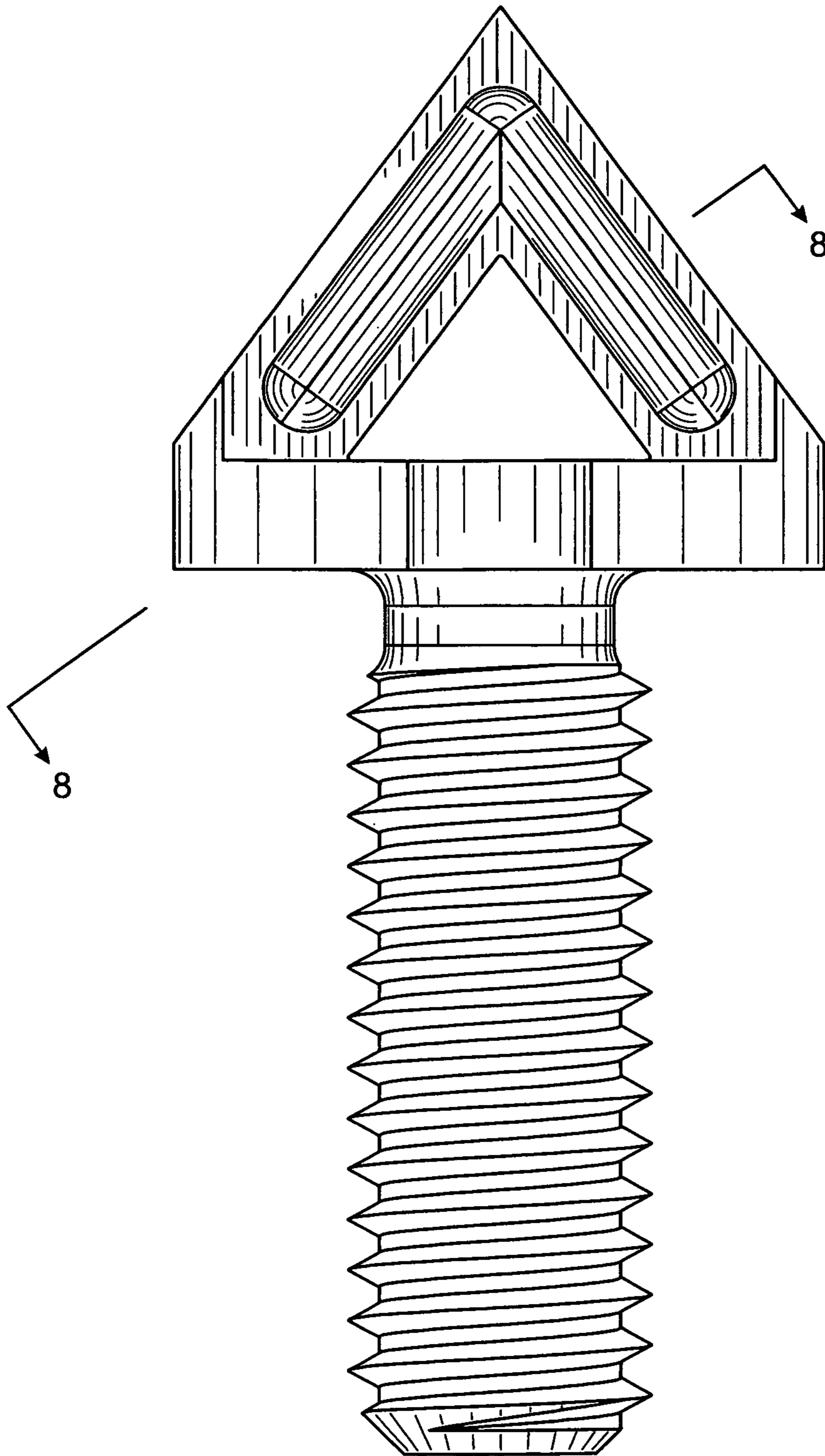


FIG. 2

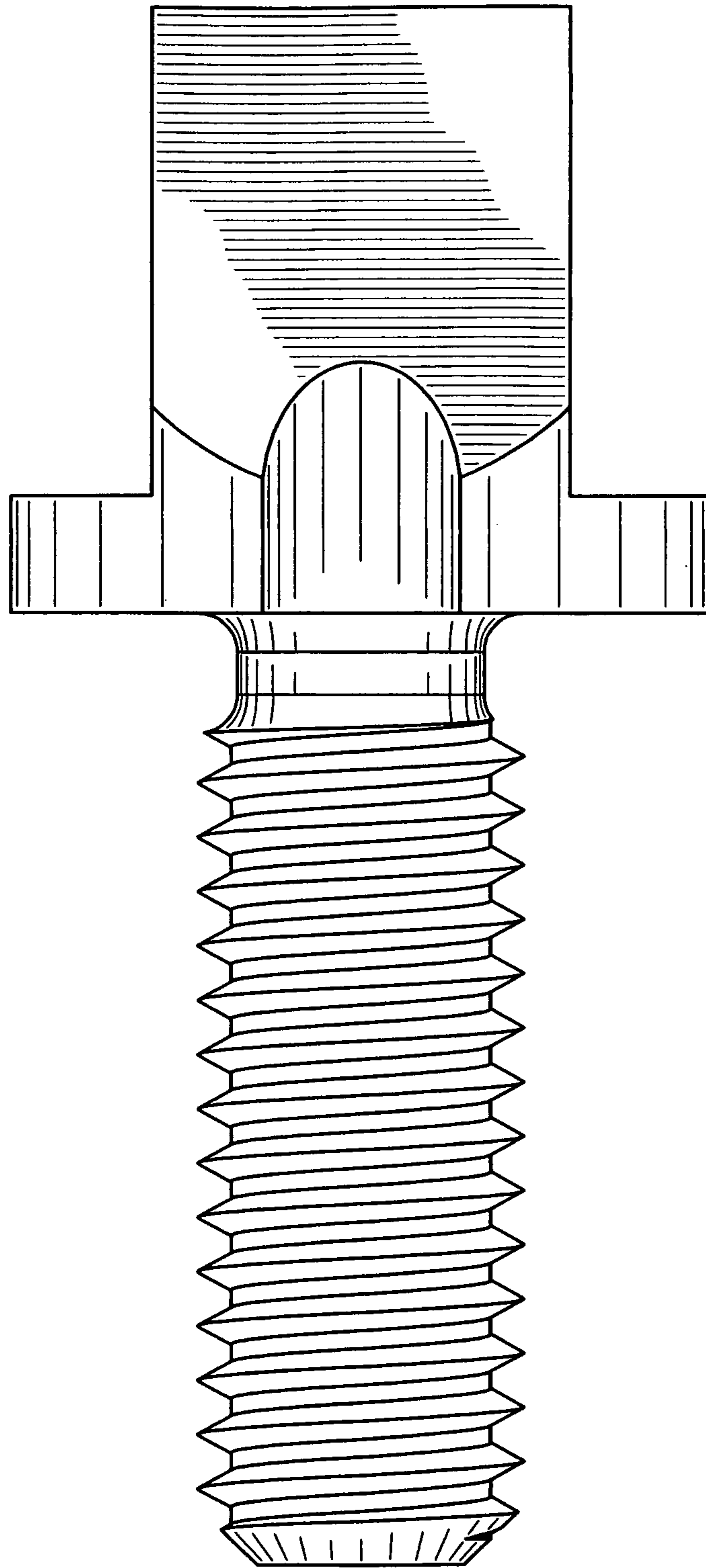


FIG. 3

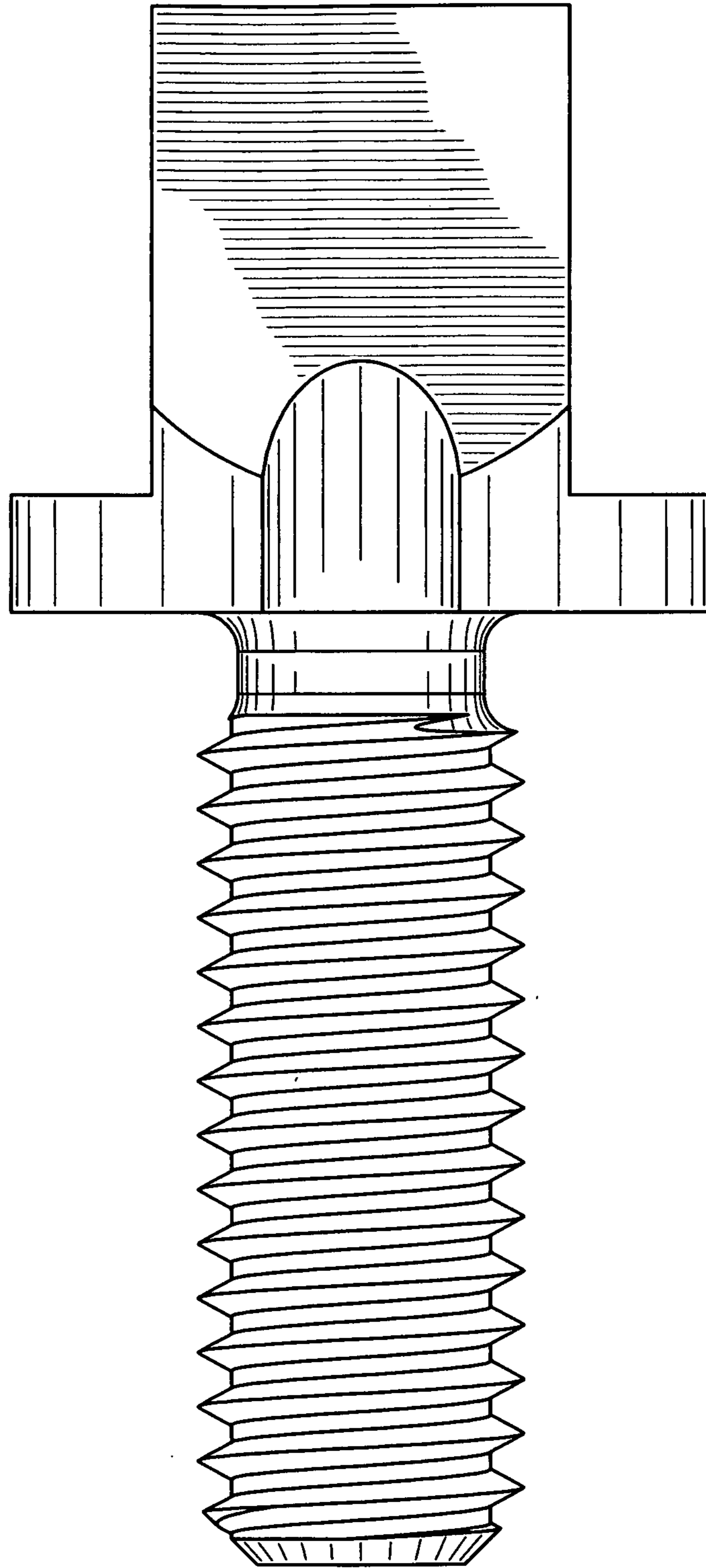


FIG. 4

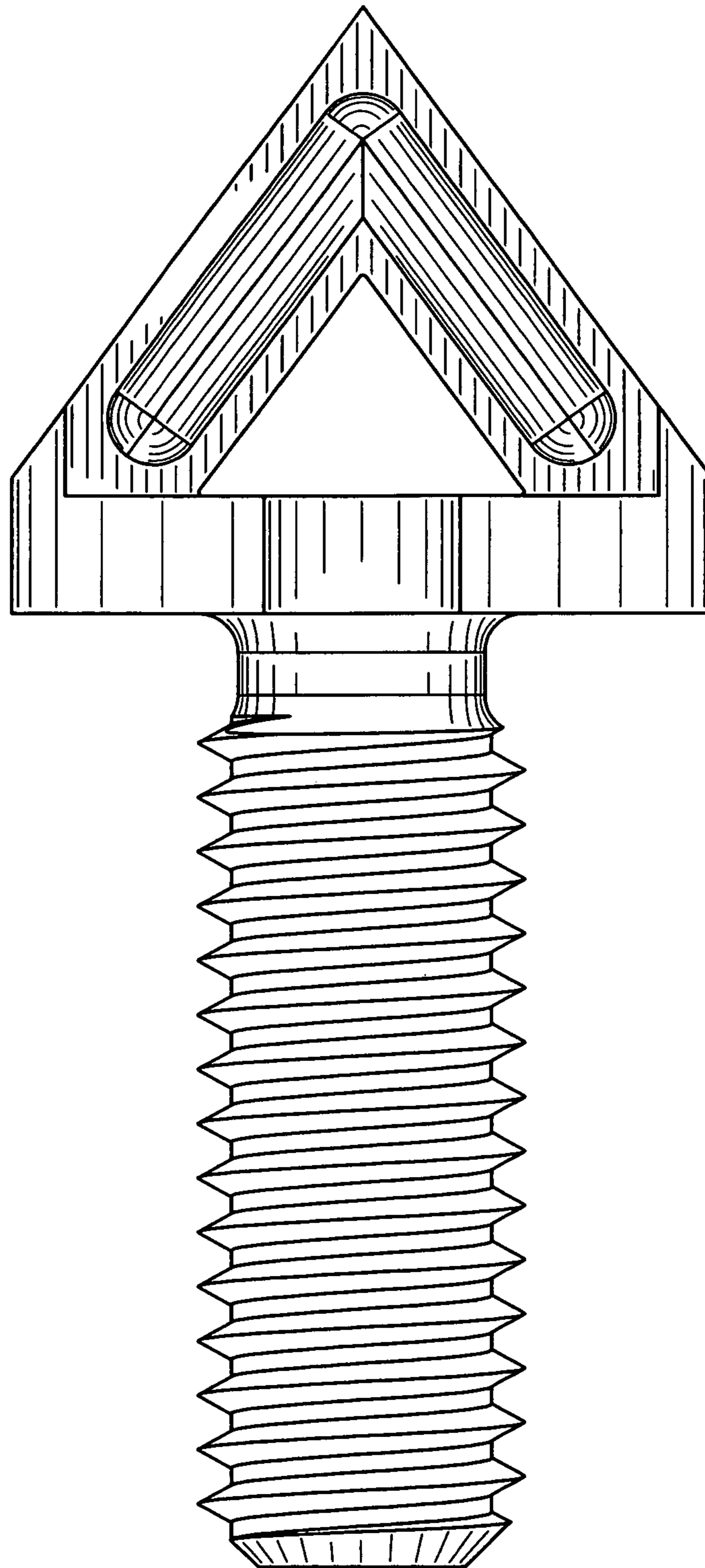


FIG. 5

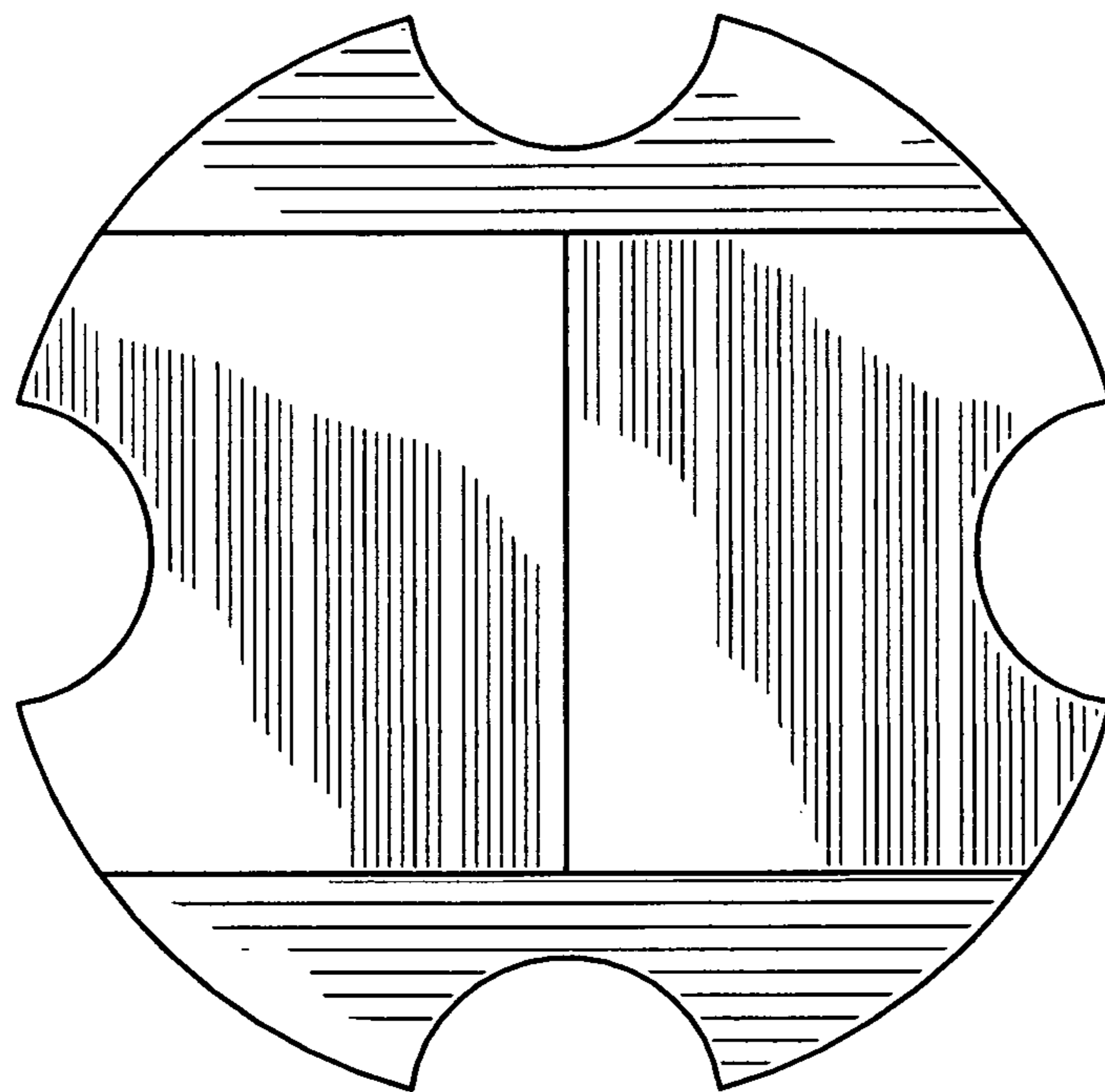


FIG. 6

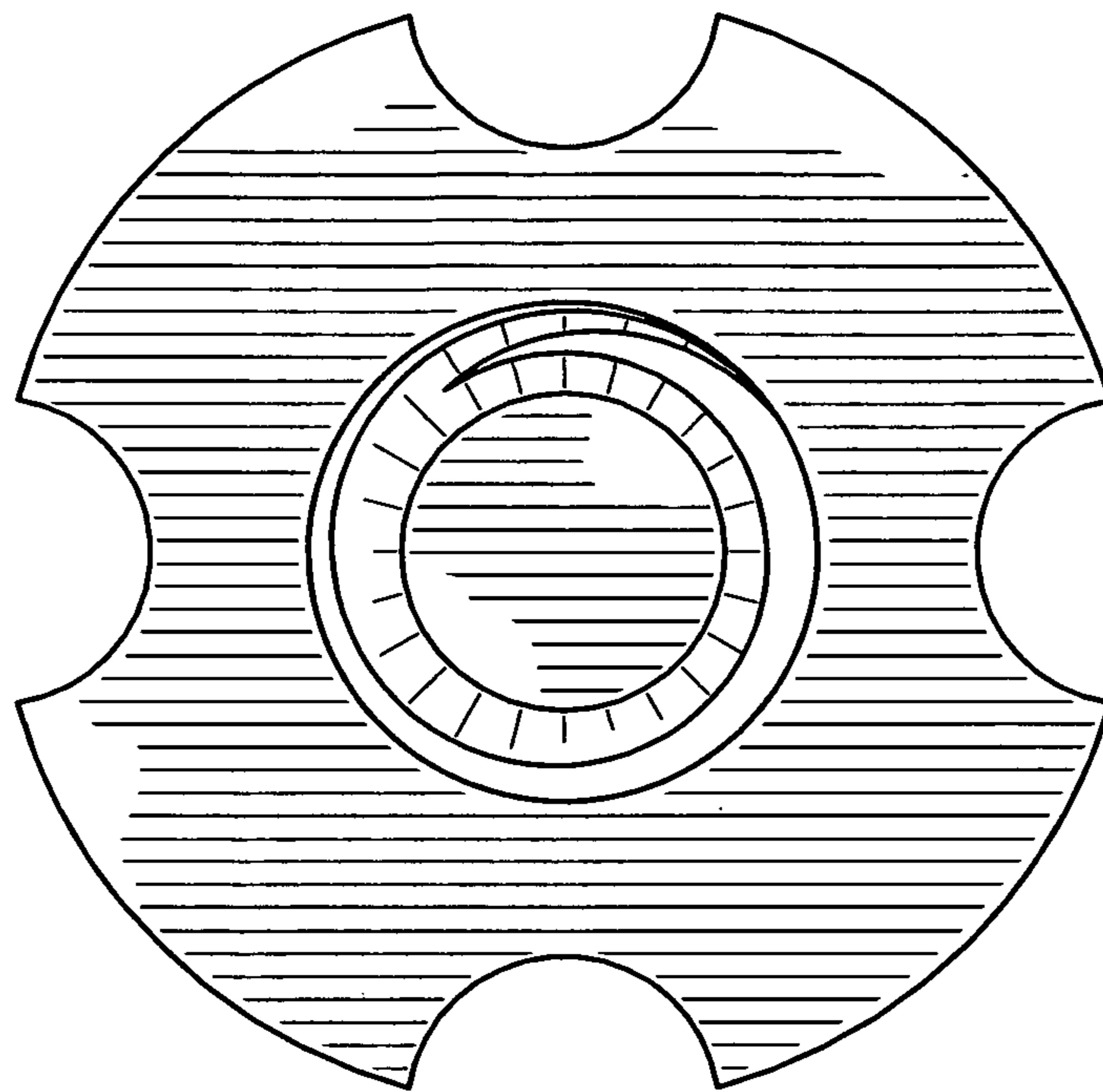


FIG. 7

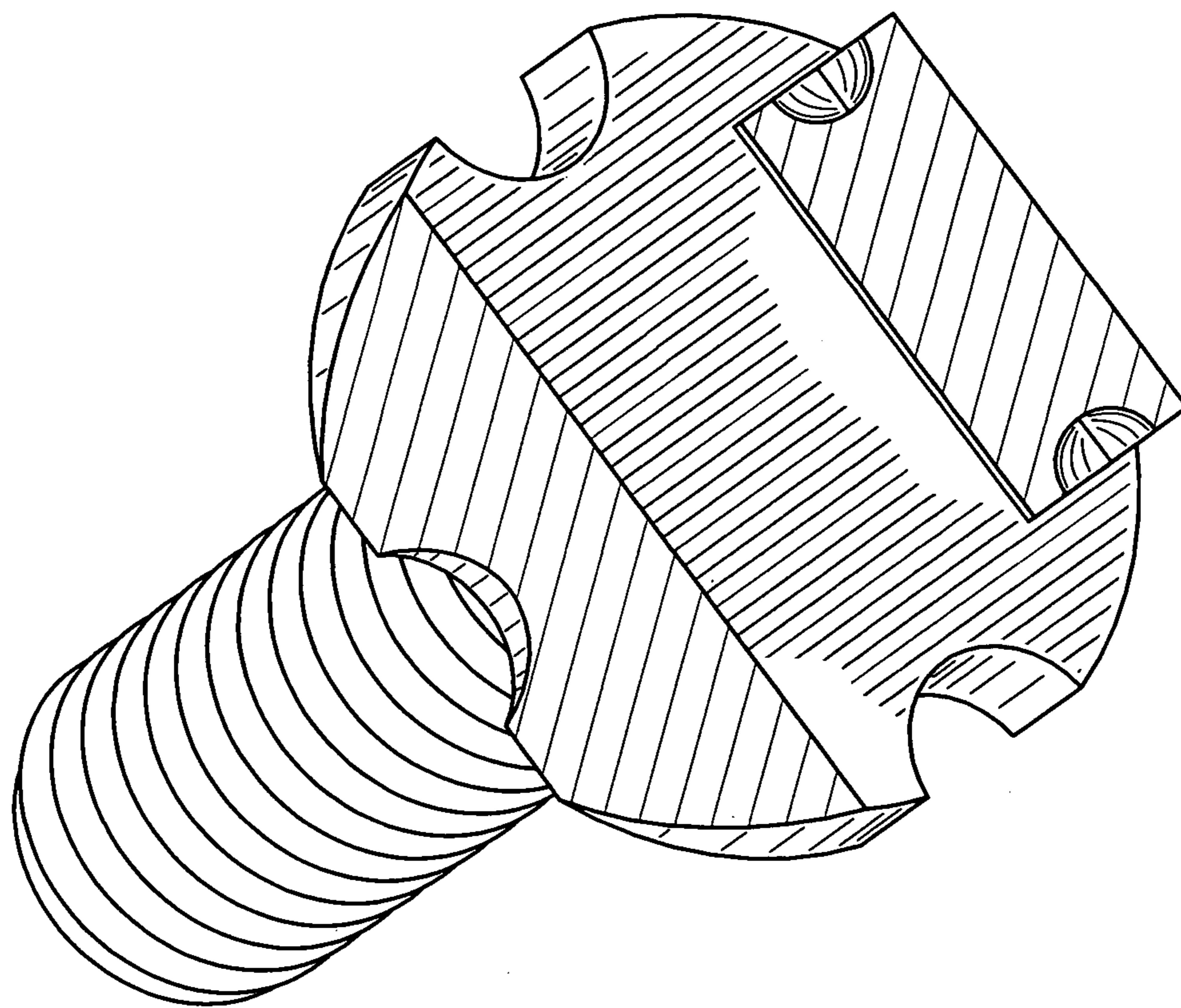


FIG. 8

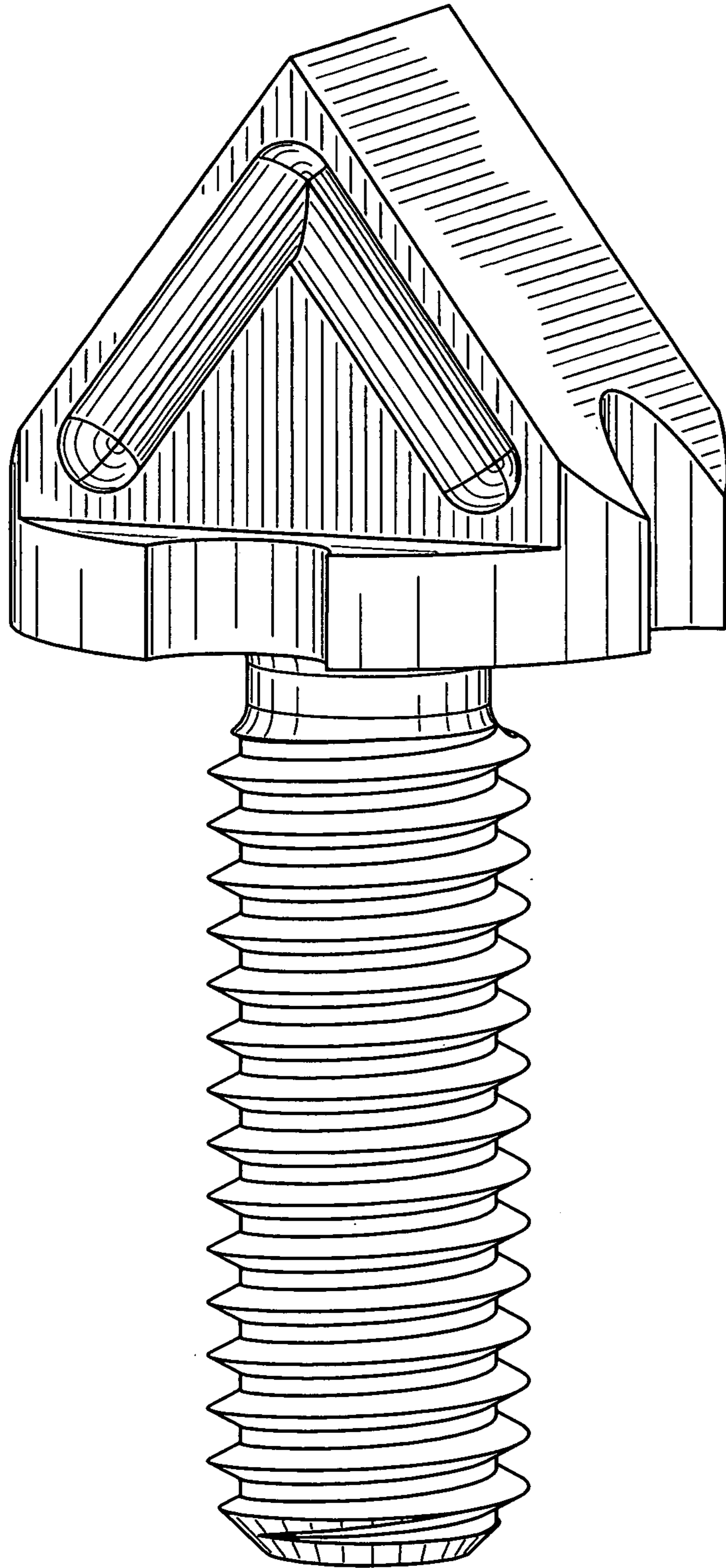


FIG. 9

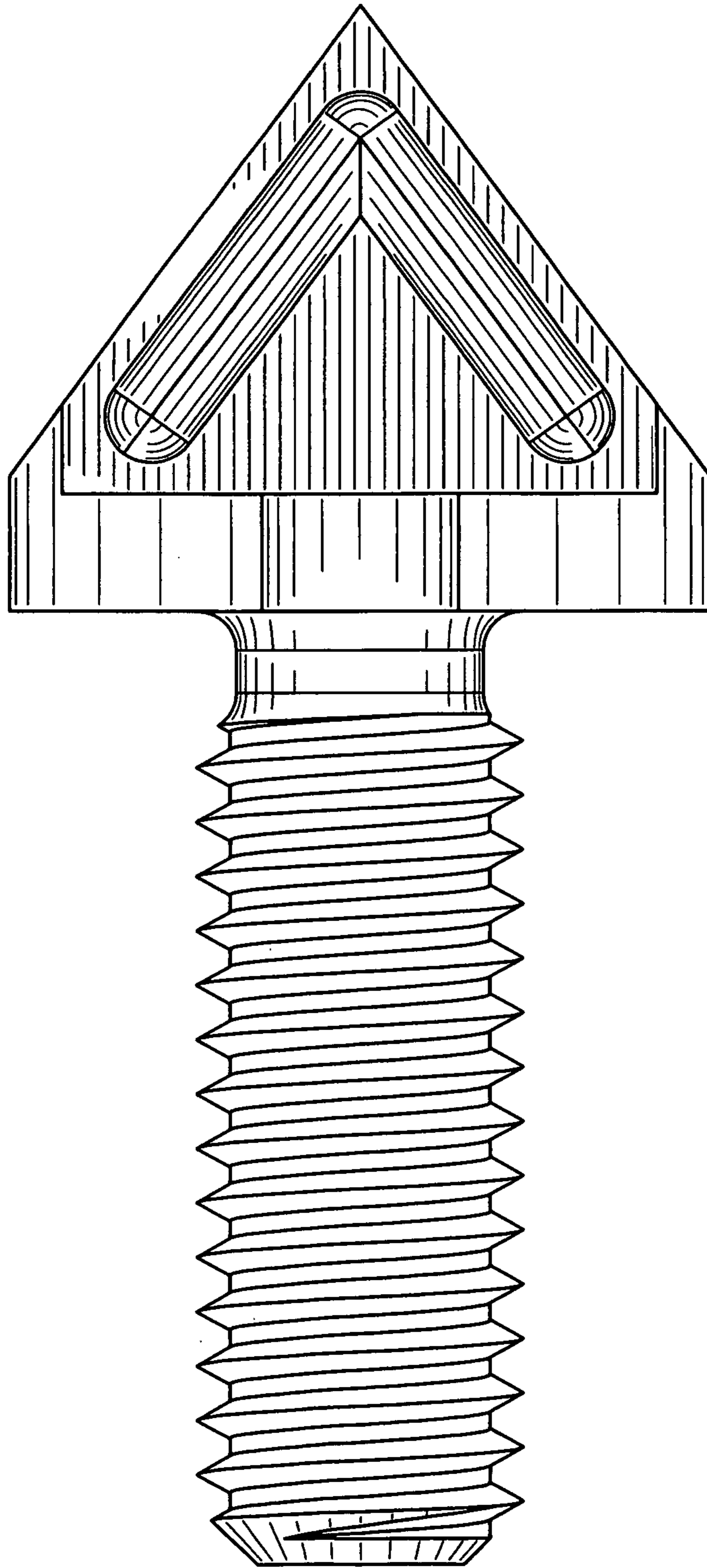


FIG. 10

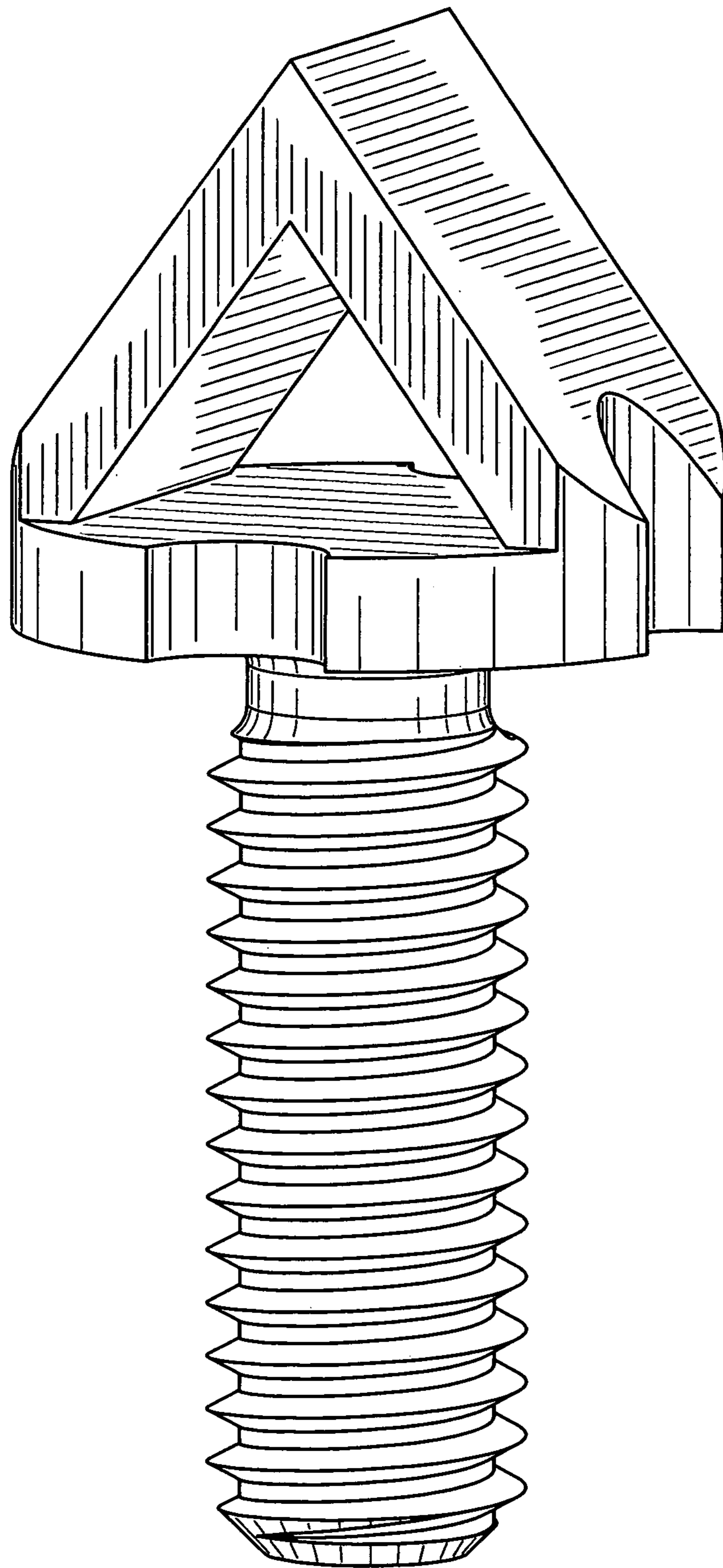


FIG. 11

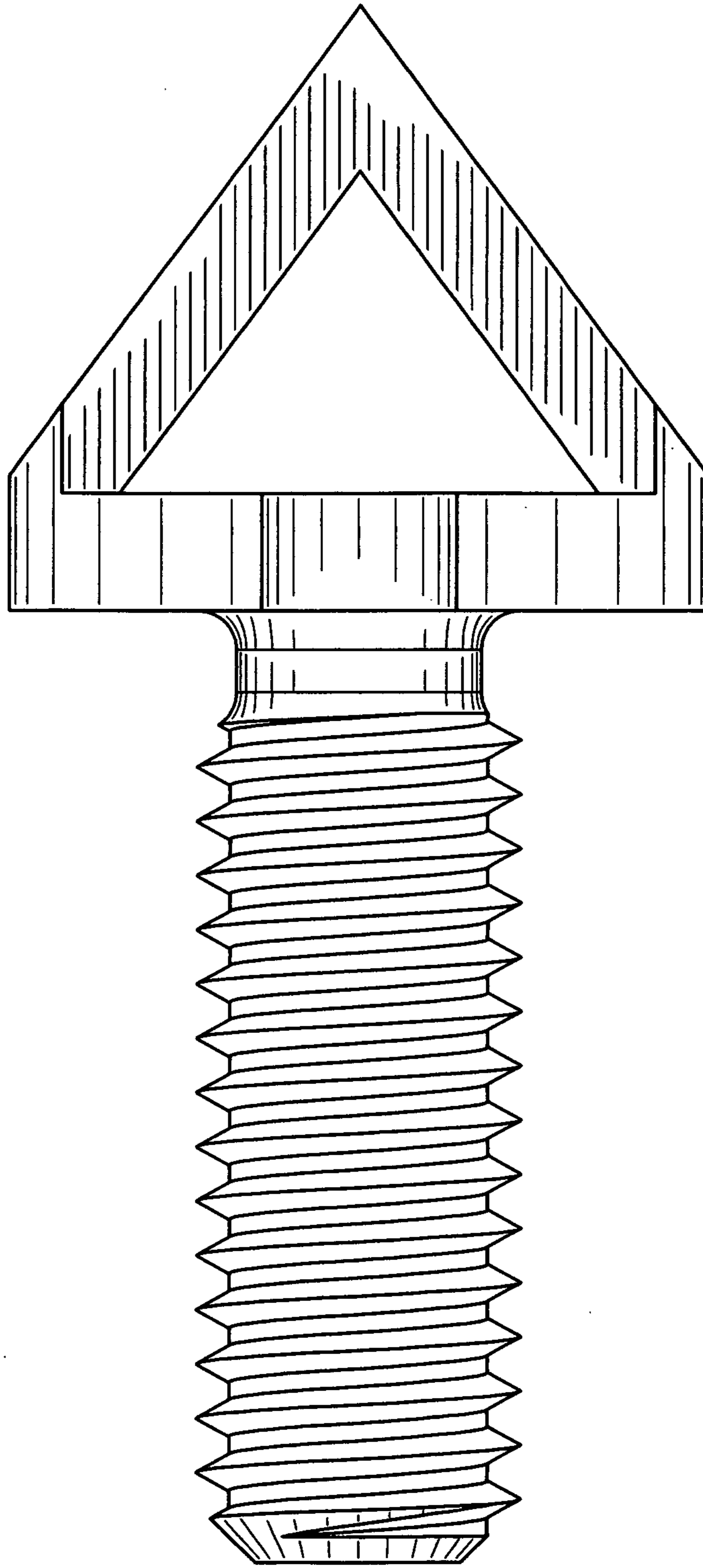


FIG. 12