



US00D700266S

(12) **United States Design Patent**
Tal et al.

(10) **Patent No.:** **US D700,266 S**
(45) **Date of Patent:** **** Feb. 25, 2014**

(54) **LOADER FOR FIREARM MAGAZINES WITH PROJECTING SIDE BUTTON**

(71) Applicants: **Ran Tal**, Rosh Ha'ayin (IL); **Guy Tal**, Rosh Ha'ayin (IL)

(72) Inventors: **Ran Tal**, Rosh Ha'ayin (IL); **Guy Tal**, Rosh Ha'ayin (IL)

(**) Term: **14 Years**

(21) Appl. No.: **29/437,971**

(22) Filed: **Nov. 22, 2012**

(51) **LOC (10) Cl.** **22-01**

(52) **U.S. Cl.**
USPC **D22/108**

(58) **Field of Classification Search**
USPC D22/108, 199; 42/87, 88, 90; 86/38; 89/45

See application file for complete search history.

(56) **References Cited**

U.S. PATENT DOCUMENTS

6,810,616 B2 * 11/2004 Tal et al. 42/87
7,503,138 B2 * 3/2009 Tal et al. 42/87

* cited by examiner

Primary Examiner — Michael A Pratt

(74) *Attorney, Agent, or Firm* — David Pressman

(57) **CLAIM**

The ornamental design for a loader for firearm magazines with projecting side button, as shown.

DESCRIPTION

FIG. 1 is a perspective view of our loader for firearm magazines with projecting side button taken from the above at an angle toward one side and one end.

FIG. 2 is a perspective view taken from above at an angle toward one end and one side.

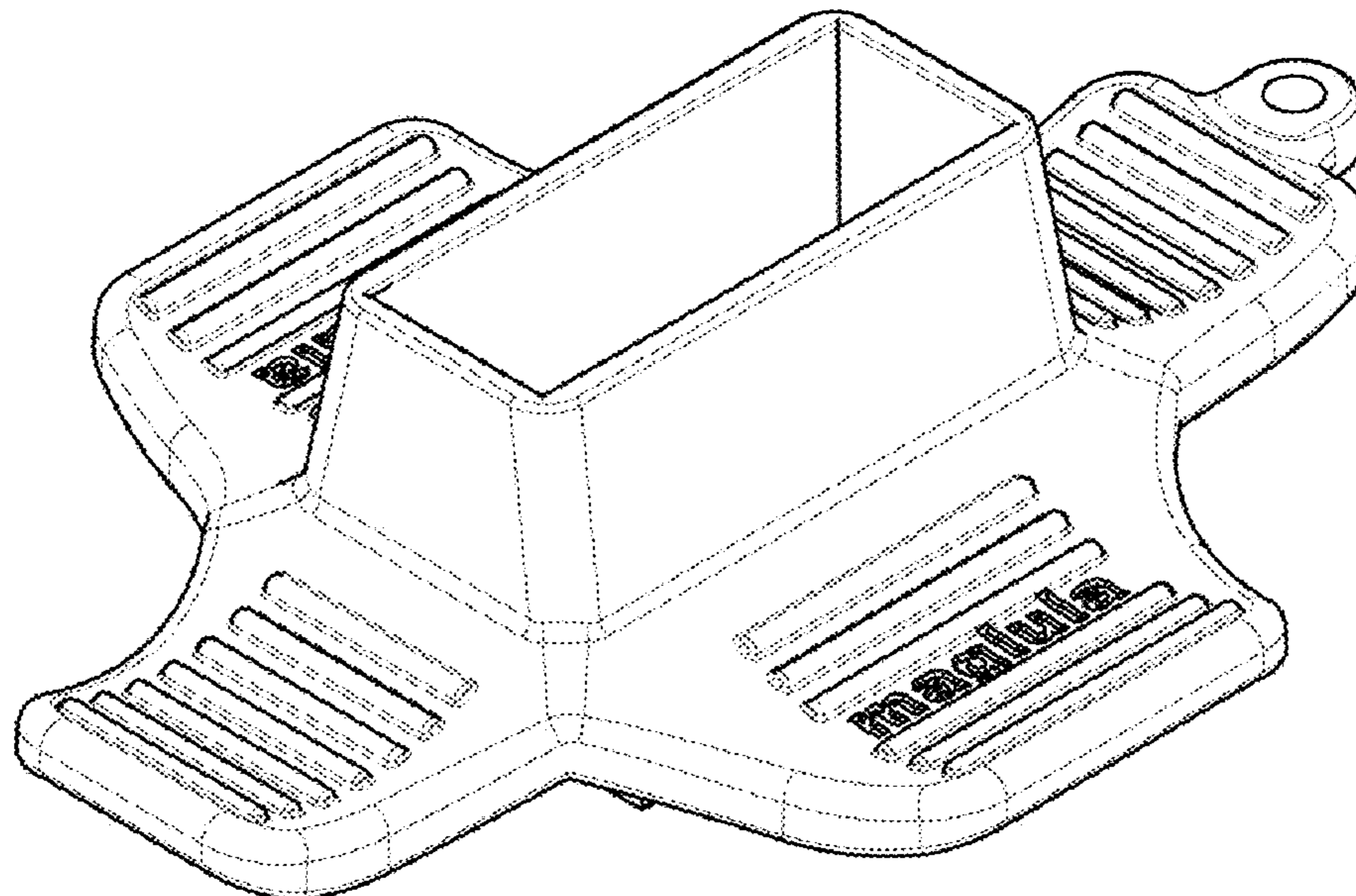
FIG. 3 is an elevational view taken from one end.

FIG. 4 is a elevational view taken from one side.

FIG. 5 is a top or plan view; and,

FIG. 6 is a bottom view.

1 Claim, 3 Drawing Sheets



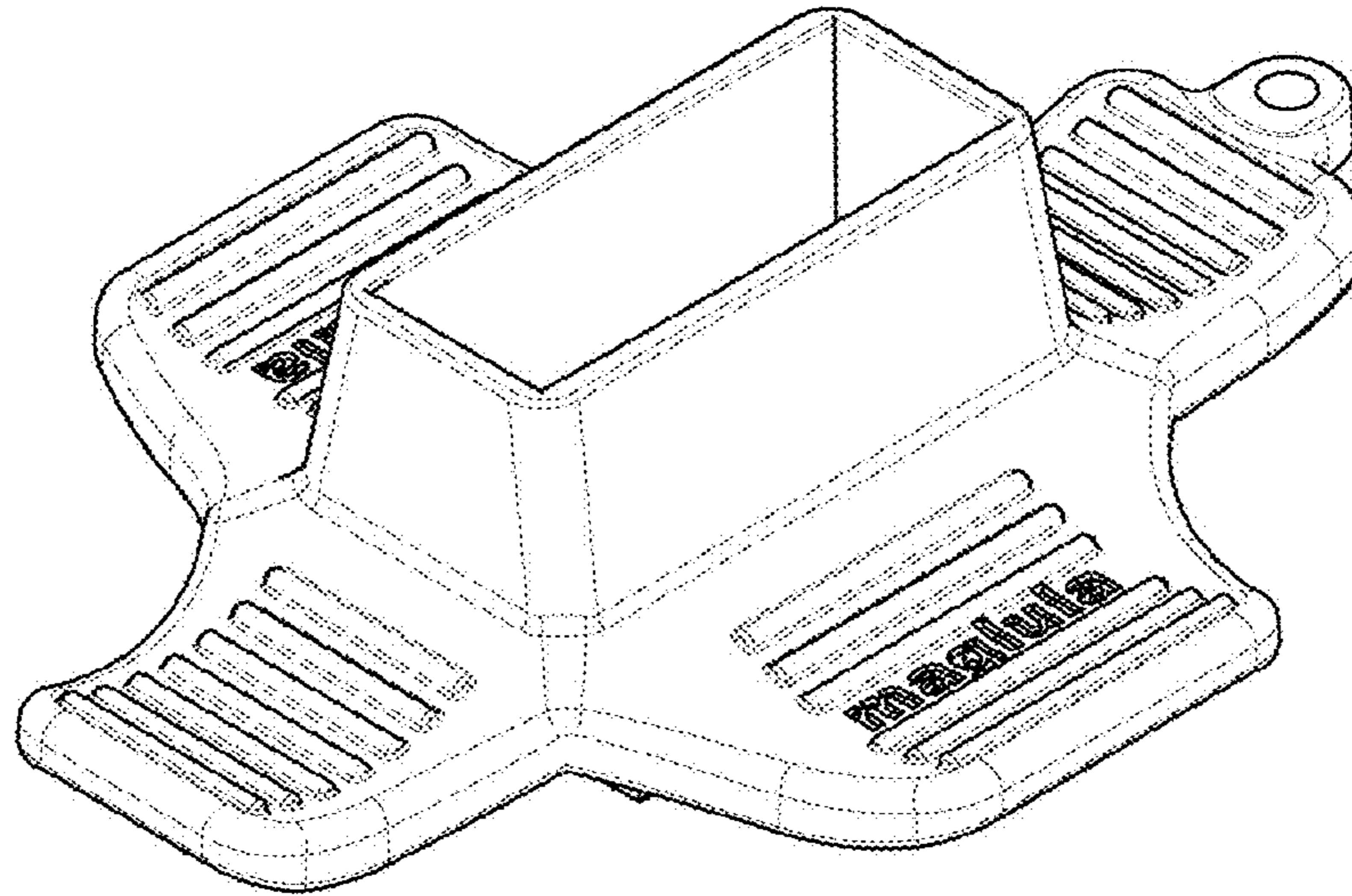


Fig 1

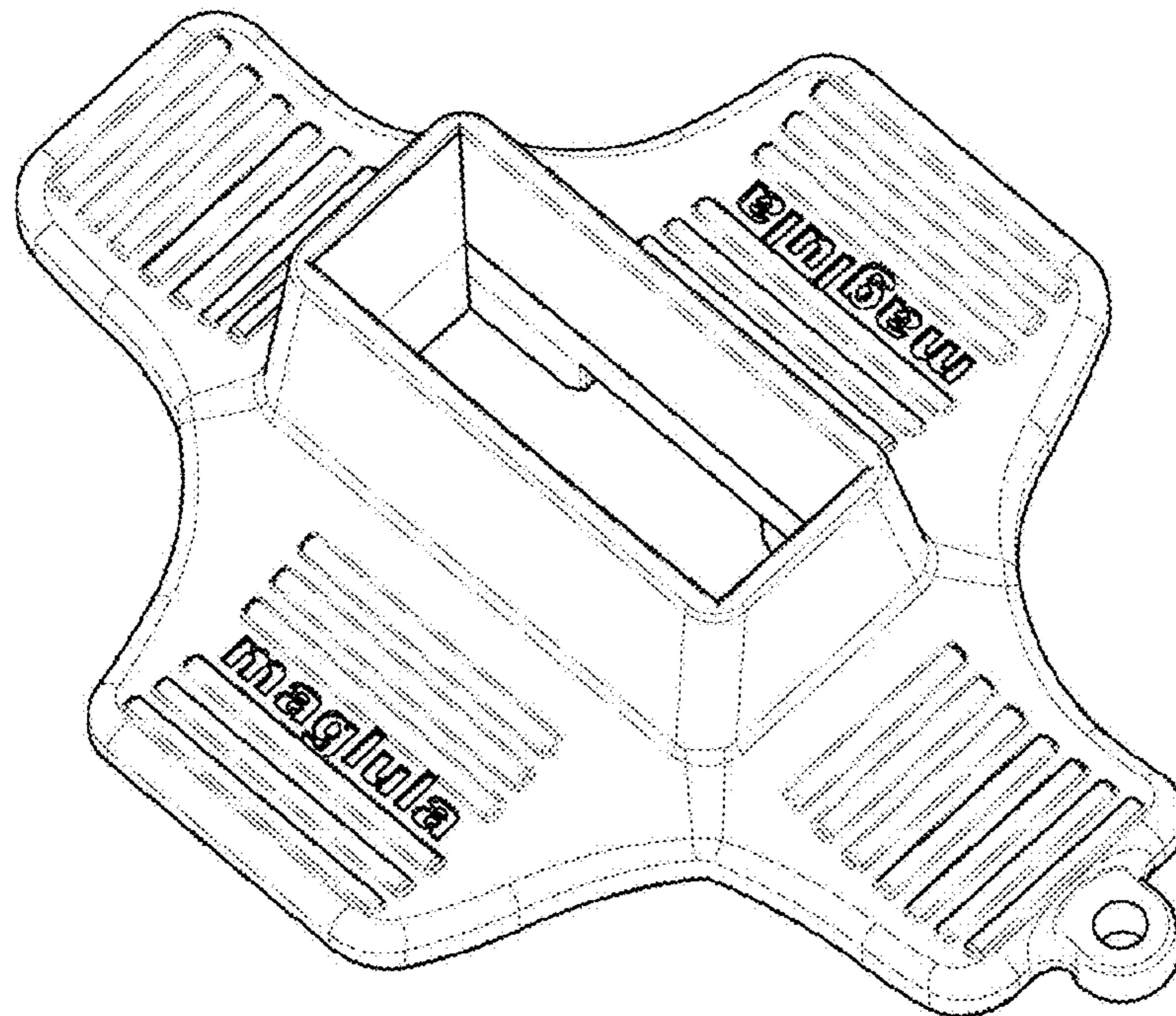


Fig 2

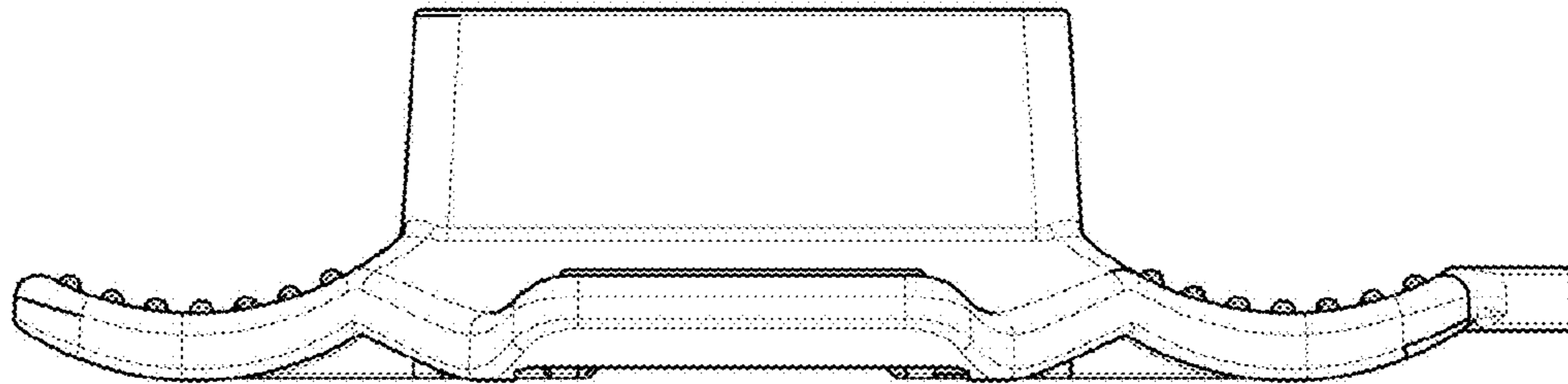


Fig 3

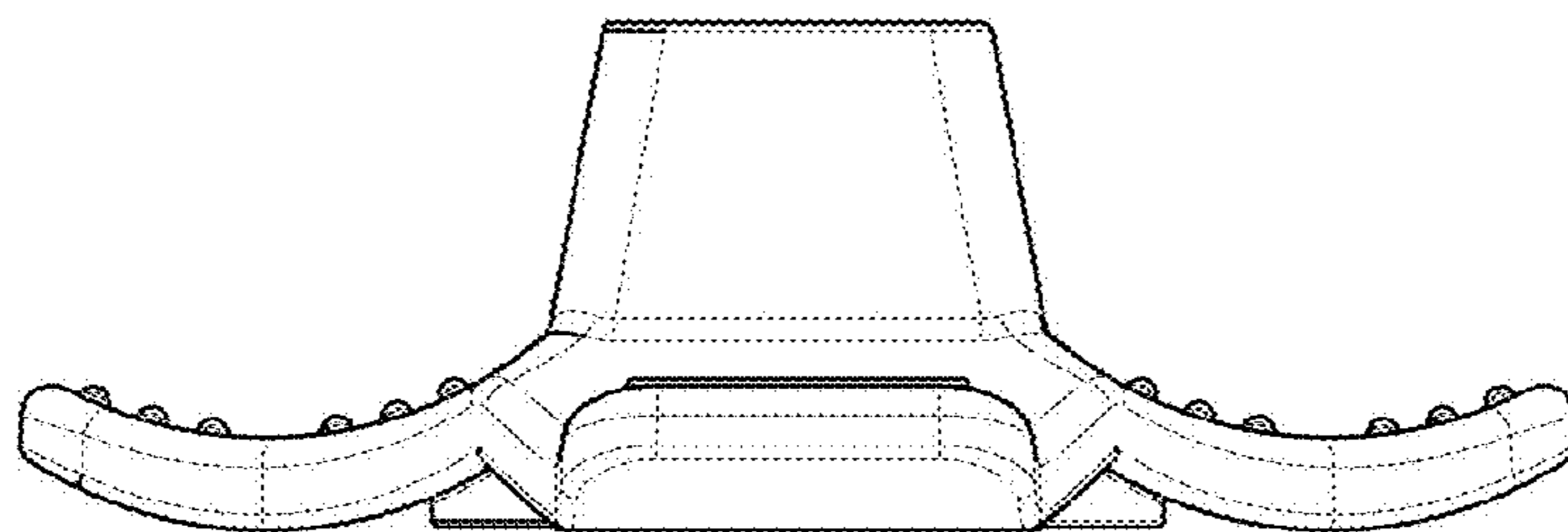


Fig 4

