



US00D700265S

(12) **United States Design Patent**
Mayberry et al.

(10) **Patent No.:** **US D700,265 S**

(45) **Date of Patent:** **** Feb. 25, 2014**

(54) **STOCK**

(71) Applicant: **Magpul Industries Corporation**, Erie, CO (US)

(72) Inventors: **Michael T. Mayberry**, Denver, CO (US); **Richard Fitzpatrick**, Longmont, CO (US); **Grady Barfoot**, Denver, CO (US); **Nick Kielsmeier**, Thornton, CO (US); **Brian Nakayama**, Arvada, CO (US); **Brad Bennett**, Lafayette, CO (US); **Sean William Flickinger**, Lakewood, CO (US)

(73) Assignee: **Magpul Industries Corporation**, Erie, CO (US)

(**) Term: **14 Years**

(21) Appl. No.: **29/437,612**

(22) Filed: **Nov. 19, 2012**

Related U.S. Application Data

(63) Continuation of application No. 29/403,627, filed on Oct. 7, 2011, now Pat. No. Des. 695,377.

(51) **LOC (10) Cl.** **22-01**

(52) **U.S. Cl.**
USPC **D22/108**

(58) **Field of Classification Search**
USPC D22/100, 101, 103, 104, 108; 42/51, 42/90, 71.01, 71.02, 73, 75.01, 75.02; 89/40.06, 37.04, 33.04; D21/572-573

See application file for complete search history.

(56) **References Cited**

U.S. PATENT DOCUMENTS

1,032,628	A	7/1912	Sherman	
1,651,299	A	11/1927	Stansel	
D196,304	S	9/1963	Hoge	
3,618,249	A	11/1971	Grandy	
3,710,496	A	1/1973	Packmayr	
D241,836	S *	10/1976	Ruger	D22/103
4,120,108	A *	10/1978	Vickers et al.	42/74
4,122,623	A	10/1978	Stice	
4,203,243	A *	5/1980	Hickman	42/73
4,589,219	A	5/1986	Milliman	

(Continued)

OTHER PUBLICATIONS

Command Arms Accessories Online Catalog (2008) SRS Product Information.

(Continued)

Primary Examiner — Michael A Pratt

(74) *Attorney, Agent, or Firm* — Swanson & Bratschun, L.L.C.

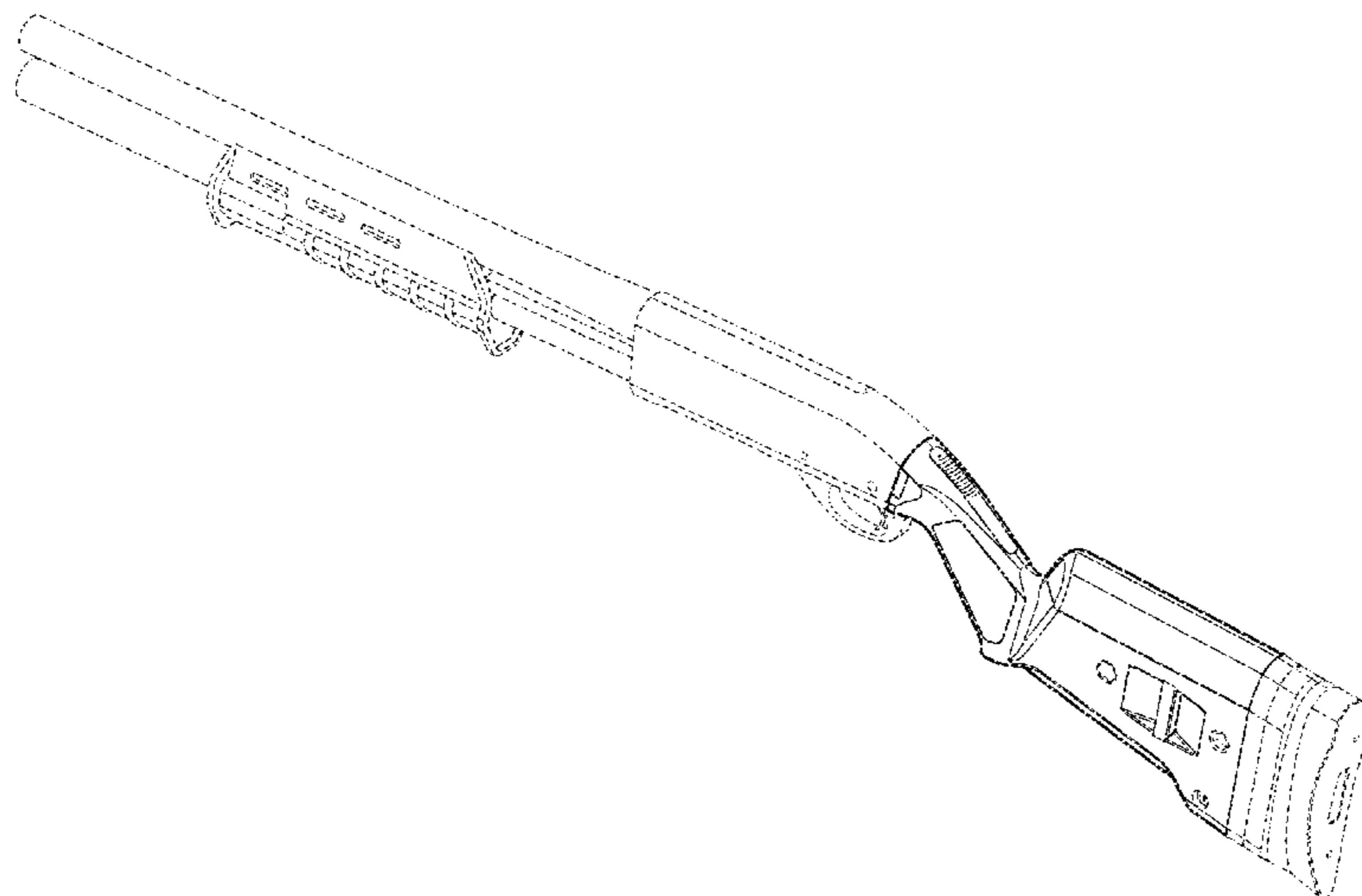
(57) **CLAIM**

The ornamental design for a stock, as shown and described.

DESCRIPTION

FIG. 1 is a left, rear, top perspective view of a stock attached to a firearm showing our new design; FIG. 2 is a left, front, top perspective view of the stock of FIG. 1 with the firearm barrel omitted; FIG. 3 is a right side elevation view of the stock of FIG. 1, the left side being a mirror image thereof; FIG. 4 is a top plan view of the stock of FIG. 1; FIG. 5 is a bottom plan view of the stock of FIG. 1; FIG. 6 is a rear elevation view of the stock of FIG. 1; and, FIG. 7 is a front elevation view of the stock of FIG. 1. The broken lines showing portions of the design in all figures is included for the purpose of illustrating environment and unclaimed features and forms not part of the claimed design.

1 Claim, 5 Drawing Sheets



(56)

References Cited

U.S. PATENT DOCUMENTS

4,663,877 A 5/1987 Bragg
 D297,855 S * 9/1988 Ruger et al. D22/108
 4,788,785 A 12/1988 White
 D304,223 S 10/1989 Ruger
 4,896,446 A 1/1990 Gregory
 5,031,348 A 7/1991 Carey
 5,075,995 A 12/1991 Kennel
 D324,557 S 3/1992 Livingston
 5,933,997 A 8/1999 Barrett
 D462,104 S 8/2002 McCarthy
 6,598,330 B2 7/2003 Garrett
 6,637,141 B1 10/2003 Weatherby
 D514,123 S 1/2006 Naruki
 D516,660 S 3/2006 Murello
 D516,807 S 3/2006 Richardson
 D517,637 S 3/2006 Murello
 7,162,823 B2 1/2007 Schoppman
 D551,313 S 9/2007 Saur
 D589,578 S * 3/2009 Choma D22/107
 D603,013 S 10/2009 Fitzpatrick
 D606,614 S 12/2009 Fitzpatrick
 7,647,719 B2 1/2010 Fitzpatrick
 D636,833 S 4/2011 Mayberry
 D636,834 S 4/2011 Mayberry
 D639,891 S 6/2011 Chvala
 D640,342 S 6/2011 Fitzpatrick
 D645,110 S 9/2011 Cook

D645,533 S * 9/2011 Peterson et al. D22/108
 D648,412 S 11/2011 Cook
 D661,366 S 6/2012 Zusman
 D661,768 S * 6/2012 Keng D22/108
 D680,611 S * 4/2013 Emde et al. D22/103
 D683,808 S * 6/2013 Elkaim D22/108
 2007/0130817 A1 6/2007 Ballard
 2008/0028662 A1 2/2008 Abraham
 2008/0052979 A1 3/2008 Lee
 2008/0168695 A1 7/2008 Nakayama
 2008/0236016 A1 10/2008 Fitzpatrick
 2008/0236017 A1 10/2008 Fitzpatrick
 2009/0241397 A1 10/2009 Fitzpatrick
 2010/0205846 A1 8/2010 Fitzpatrick et al.
 2010/0251590 A1 10/2010 Fitzpatrick
 2012/0073177 A1 3/2012 Laney

OTHER PUBLICATIONS

Heckler & Koch Online Catalog (2008) PSG1A1 Product Information.
 Magpul Online Catalog (2007) FAL Preproduction Product Information.
 Magpul Online Catalog (2007) PRS Ar15/M16 Product Information.
 Design U.S. Appl. No. 29/399,326, filed Aug. 12, 2011, "ACS Rifle Stock" by Fitzpatrick.
 Design U.S. Appl. No. 29/405,857, filed Nov. 7, 2011, "STR Stock" by Fitzpatrick.

* cited by examiner

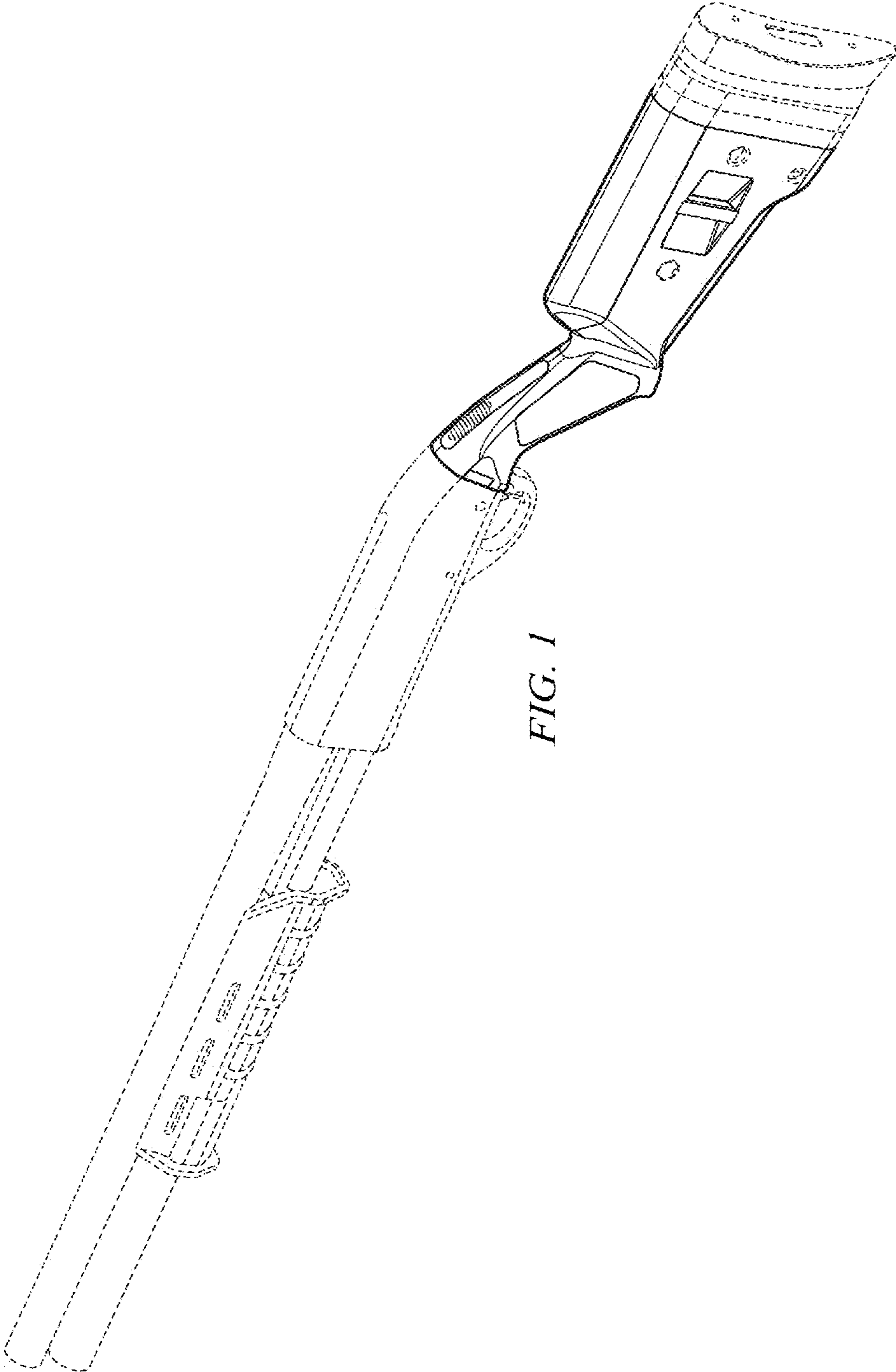
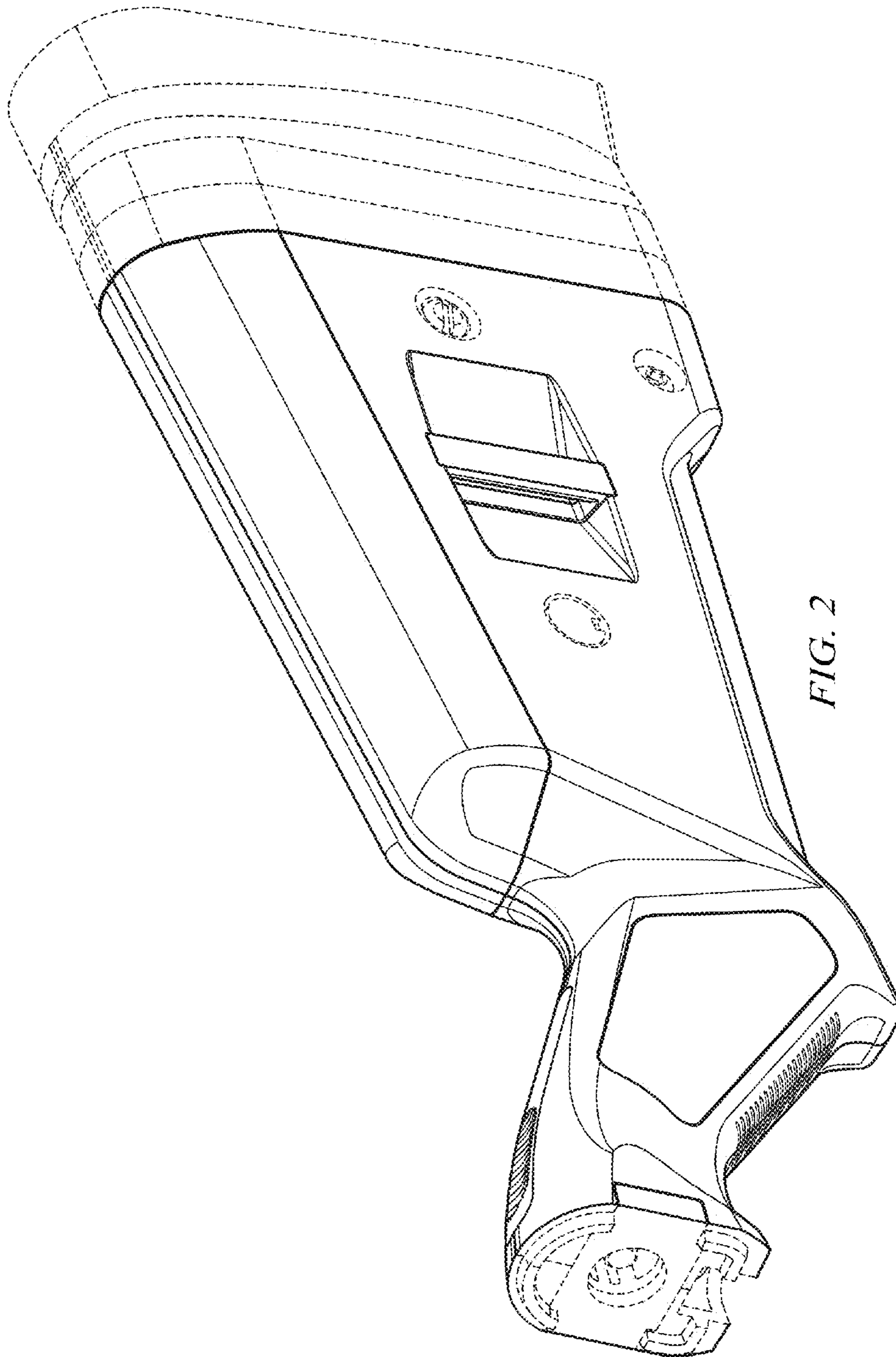


FIG. 1



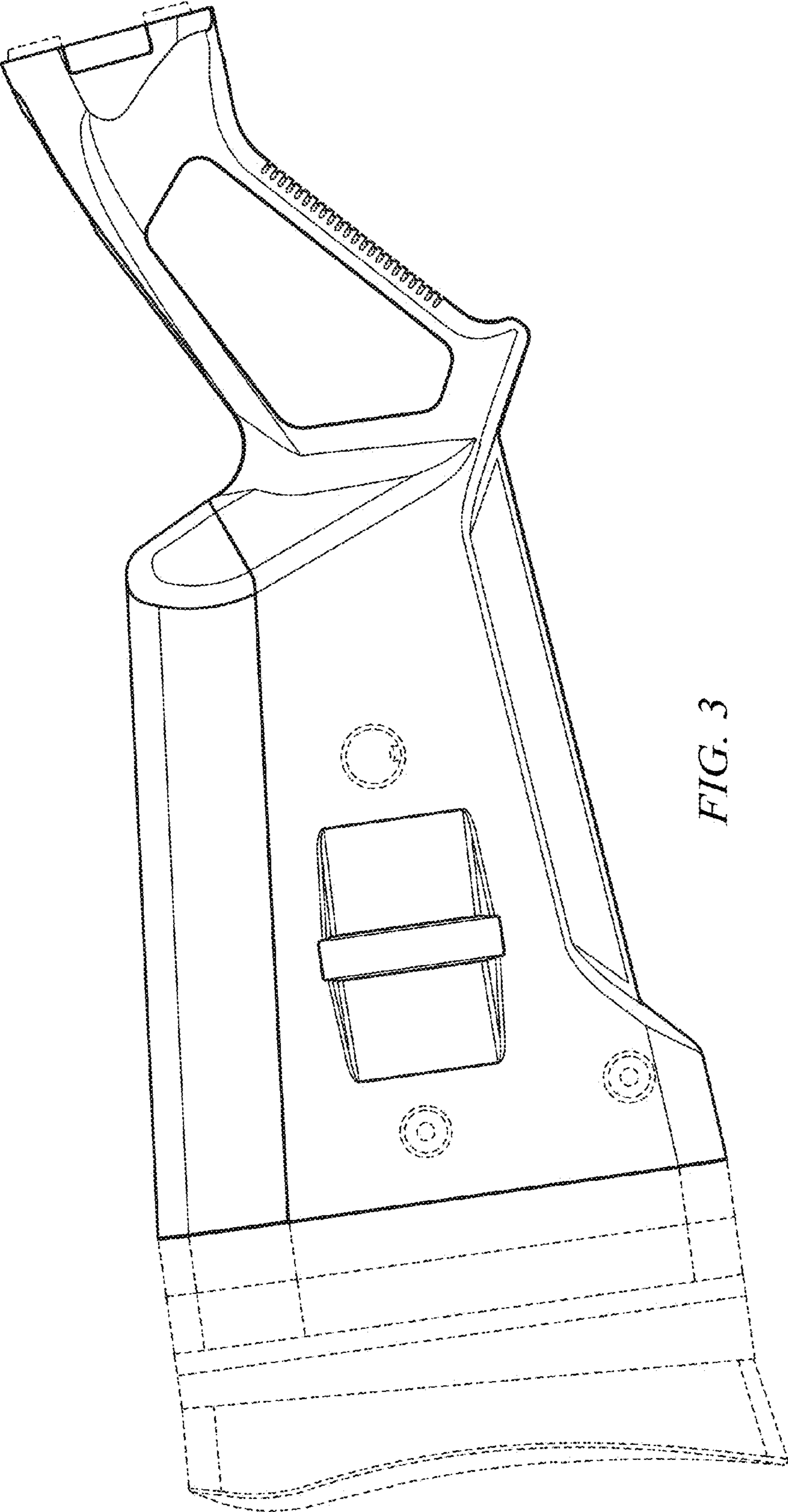


FIG. 3

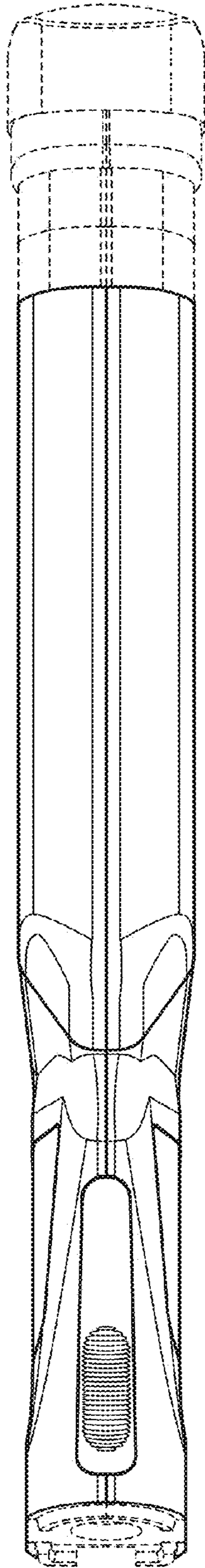


FIG. 4

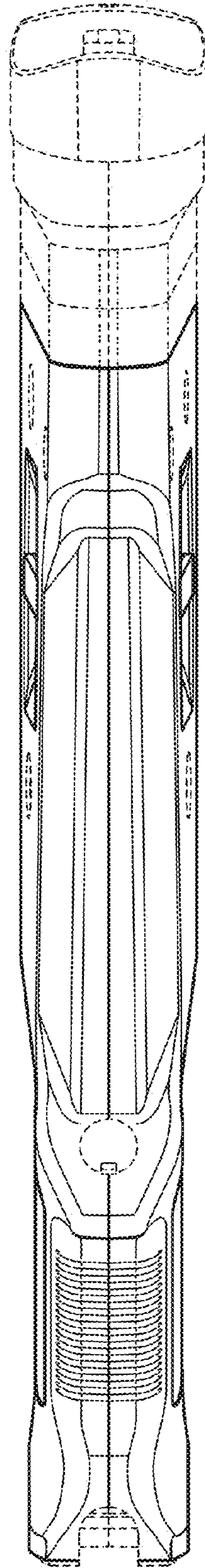


FIG. 5

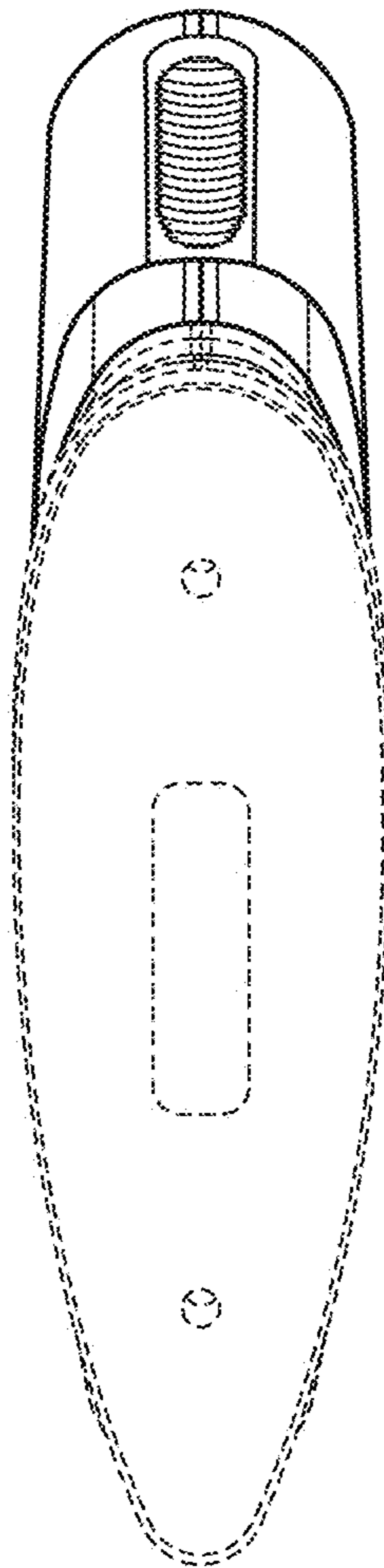


FIG. 6

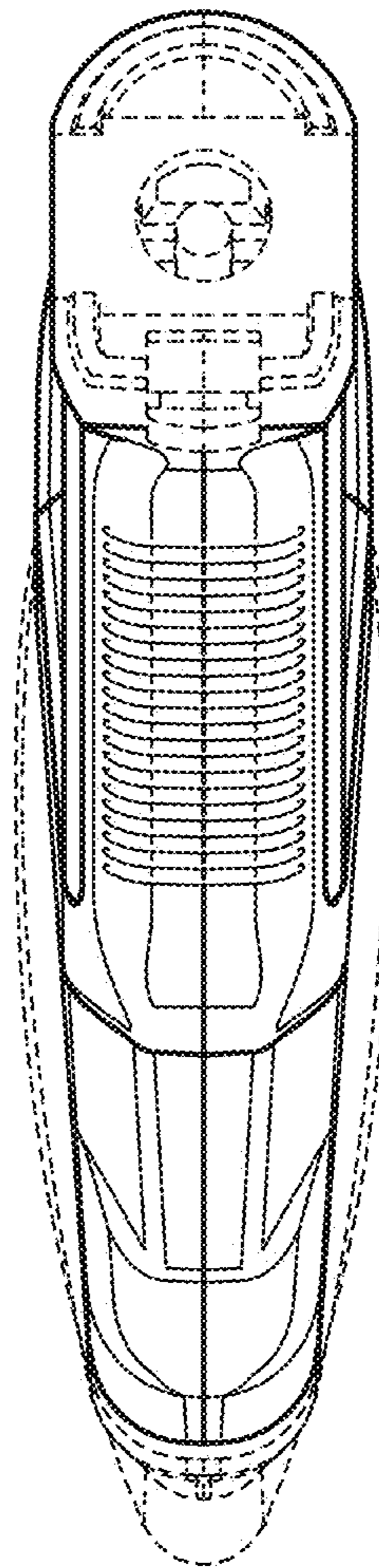


FIG. 7