



US00D700263S

(12) **United States Design Patent**
Zwart

(10) **Patent No.:** **US D700,263 S**

(45) **Date of Patent:** **** *Feb. 25, 2014**

- (54) **GOLF DIVOT REPAIR TOOL**
- (71) Applicant: **Michel Zwart**, Hong Kong (CN)
- (72) Inventor: **Michel Zwart**, Hong Kong (CN)
- (*) Notice: This patent is subject to a terminal disclaimer.
- (**) Term: **14 Years**
- (21) Appl. No.: **29/433,877**
- (22) Filed: **Oct. 5, 2012**
- (51) **LOC (10) Cl.** **21-02**
- (52) **U.S. Cl.**
USPC **D21/793**
- (58) **Field of Classification Search**
USPC D21/789, 793; 473/286, 408; 30/161,
30/155; 7/118; D8/105-106
See application file for complete search history.

6,800,042	B2 *	10/2004	Braithwaite	473/408
D500,828	S *	1/2005	Pace	D21/793
6,837,807	B1 *	1/2005	Kerr	473/408
D570,946	S *	6/2008	Oas	D21/793
D651,272	S *	12/2011	Corcoran et al.	D21/793
D669,148	S *	10/2012	Dalton	D21/793
D669,952	S *	10/2012	Zwart	D21/793
D684,645	S *	6/2013	Gerard	D21/793

* cited by examiner

Primary Examiner — Mitchell Siegel
(74) *Attorney, Agent, or Firm* — Daniel Law Offices, P.A.;
Jason T. Daniel, Esq

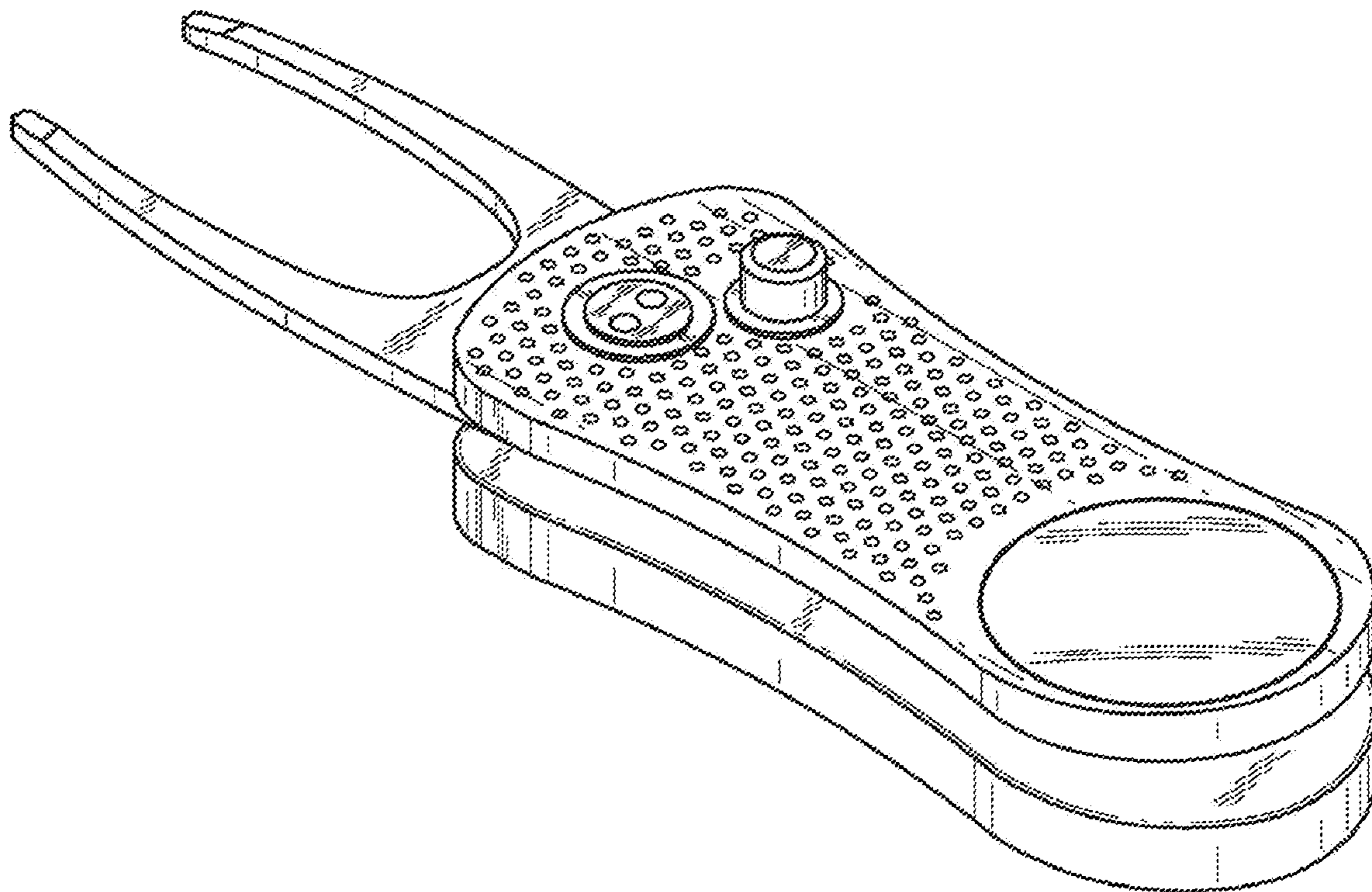
(57) **CLAIM**
The ornamental design for a golf divot repair tool, as shown.

DESCRIPTION

FIG. 1 is a front perspective view thereof in a closed position, FIG. 2 is a back perspective view thereof in a closed position, FIG. 3 is a front side elevational view thereof, FIG. 4 is a back side elevational view thereof, FIG. 5 is a left side elevational view thereof, FIG. 6 is a right side elevational view thereof, FIG. 7 is a top side elevational view thereof, FIG. 8 is a bottom side elevational view thereof, FIG. 9 is a perspective view thereof in an open position; and, FIG. 10 is an exploded front perspective view in a closed position.

1 Claim, 4 Drawing Sheets

- (56) **References Cited**
U.S. PATENT DOCUMENTS
5,405,133 A * 4/1995 Upton 473/408
6,162,137 A * 12/2000 Jones et al. 473/408
D471,944 S * 3/2003 Freitas et al. D21/793



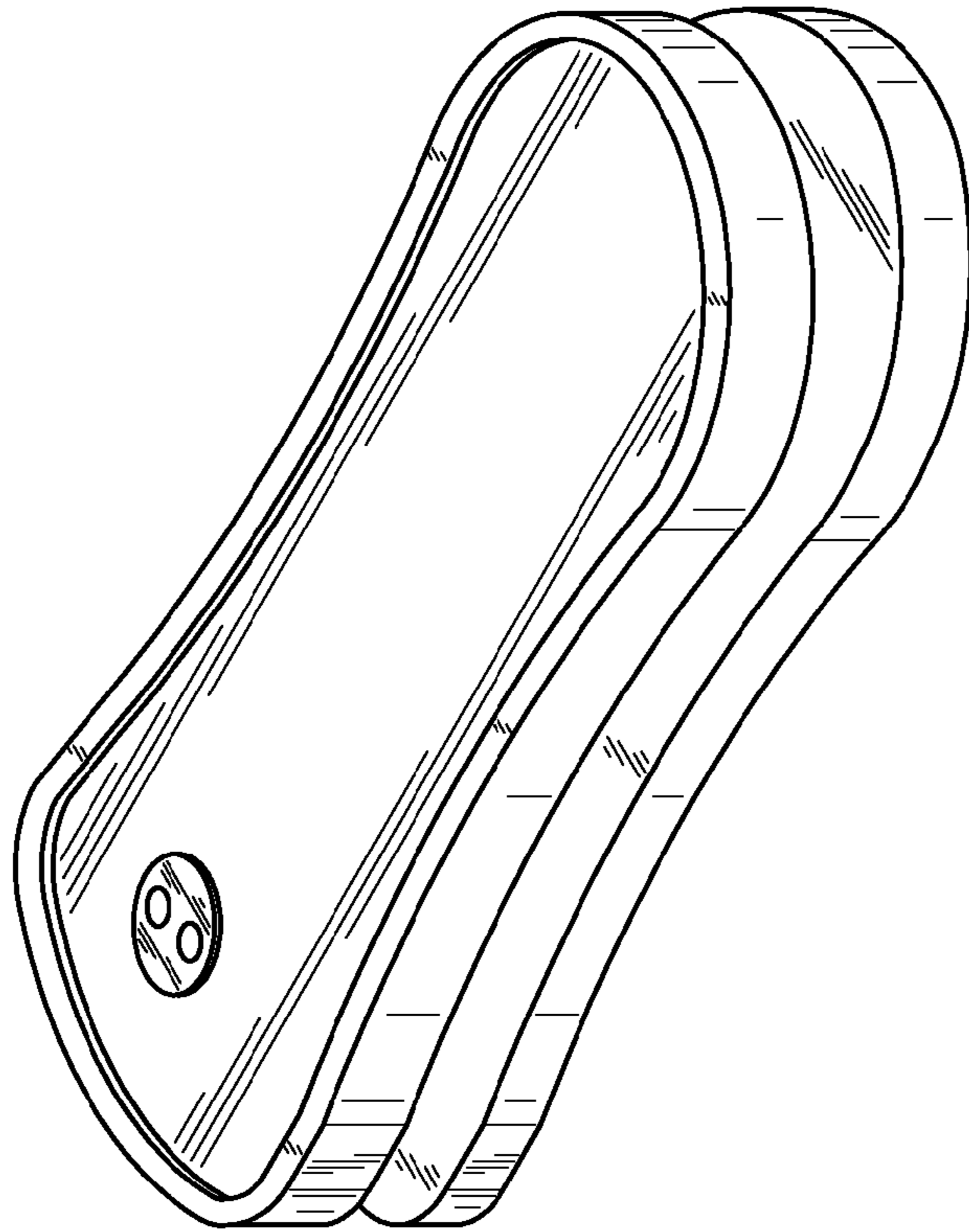


FIG. 2

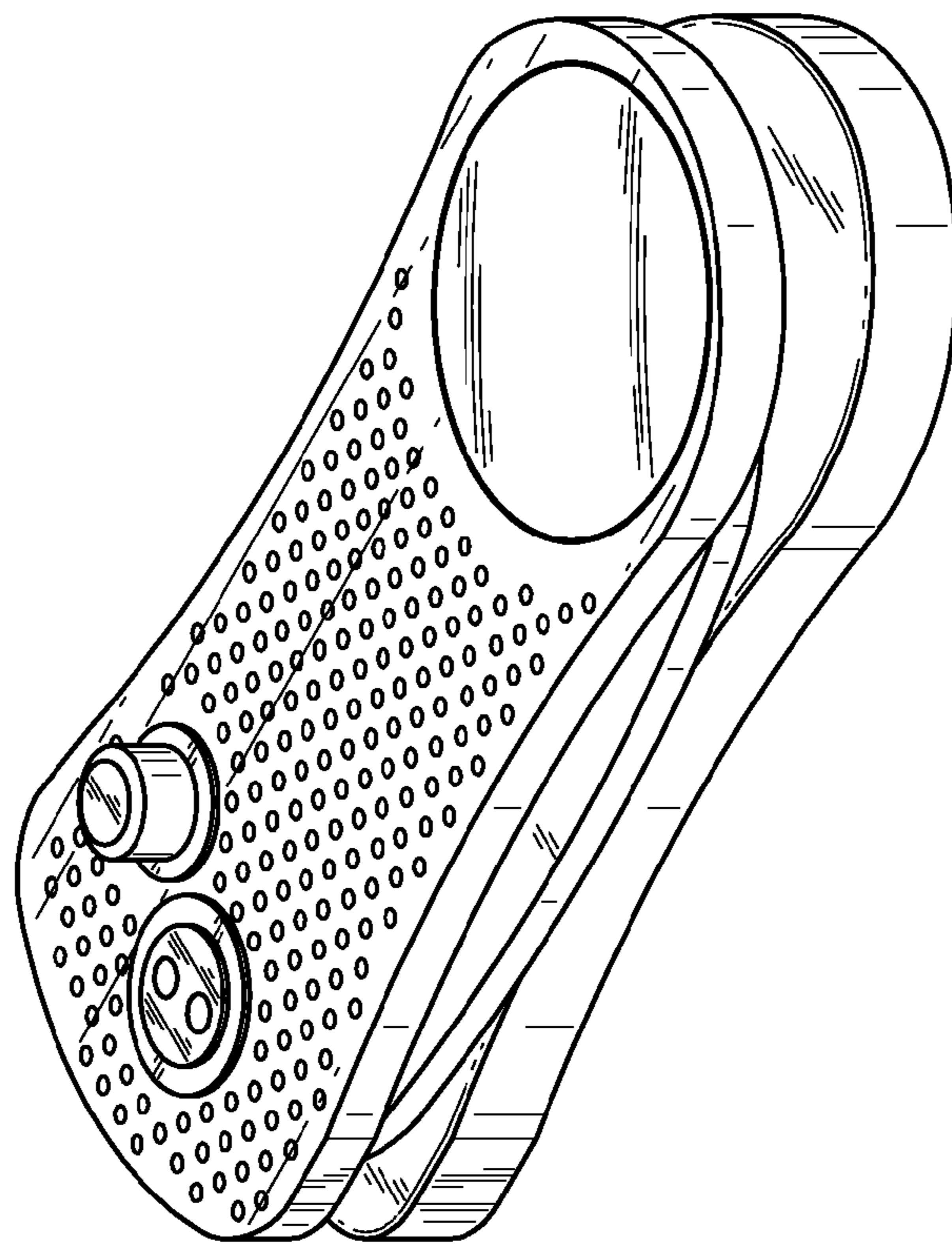


FIG. 1

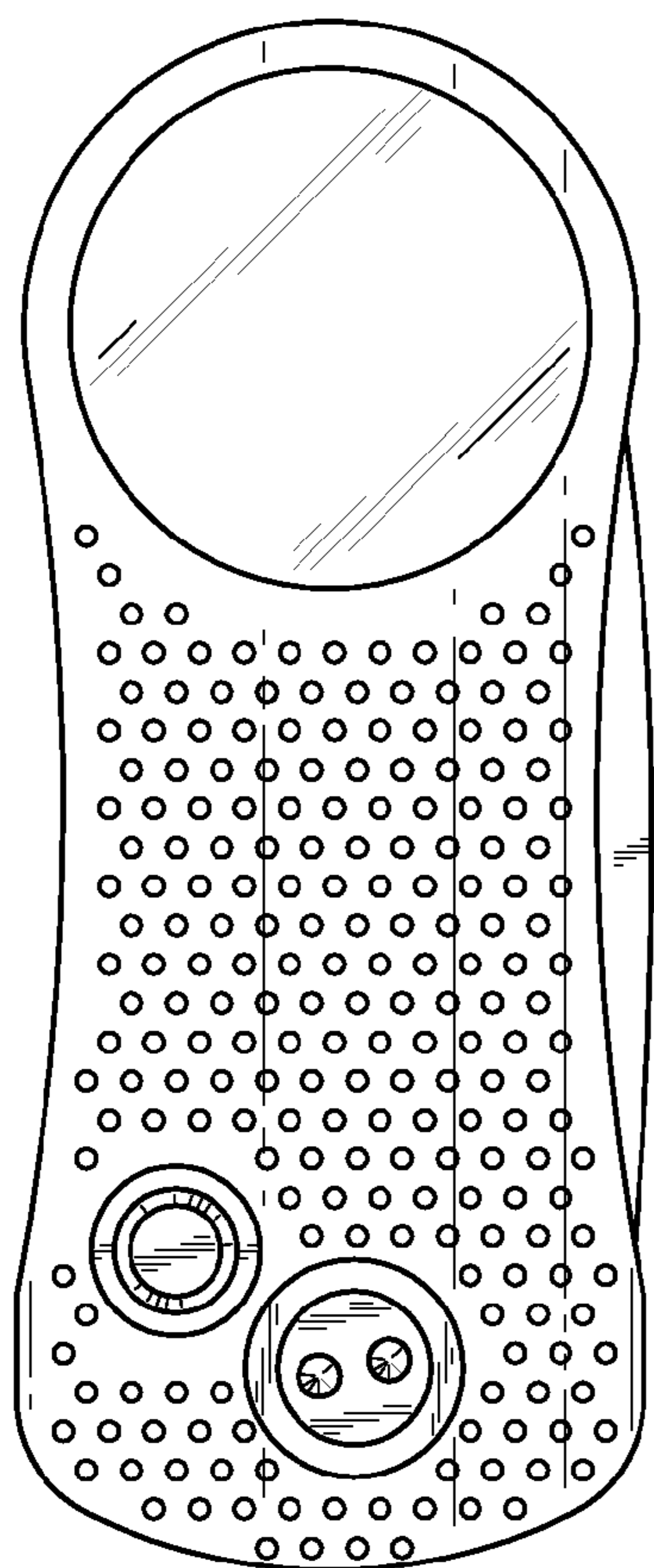


FIG. 3

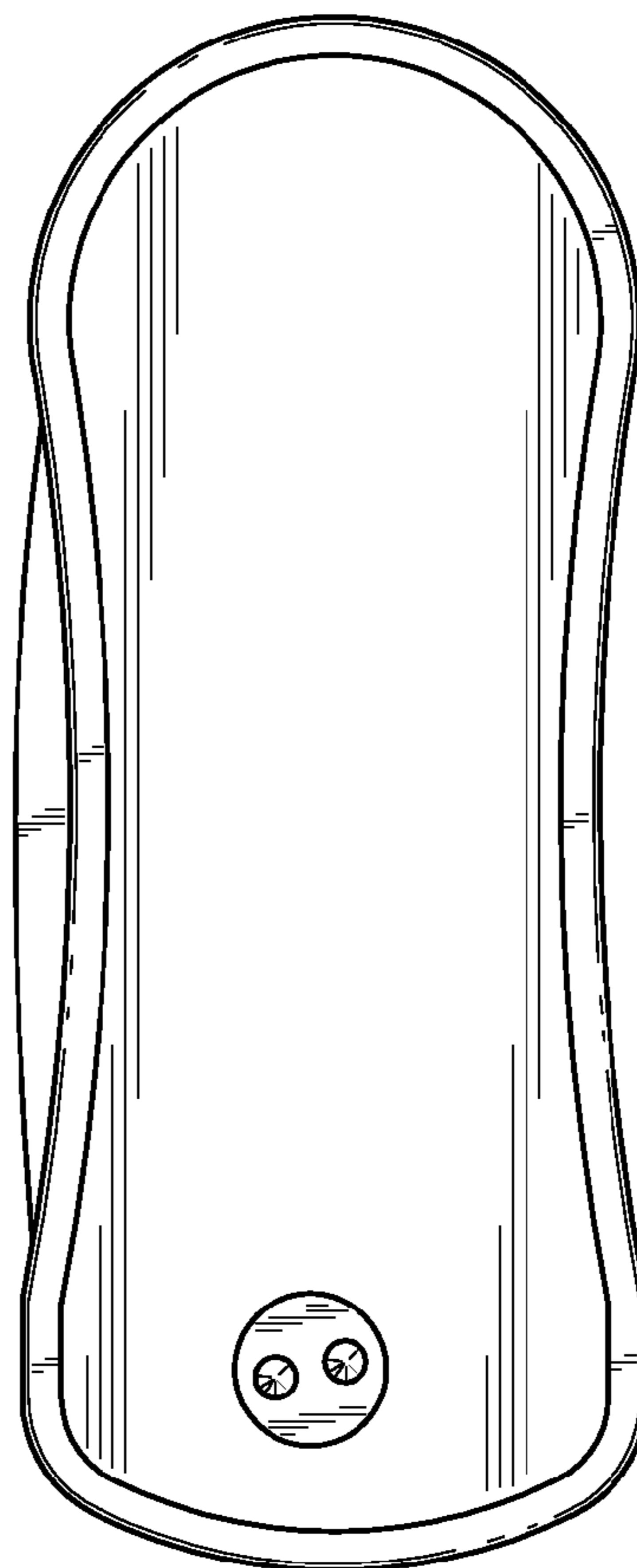


FIG. 4

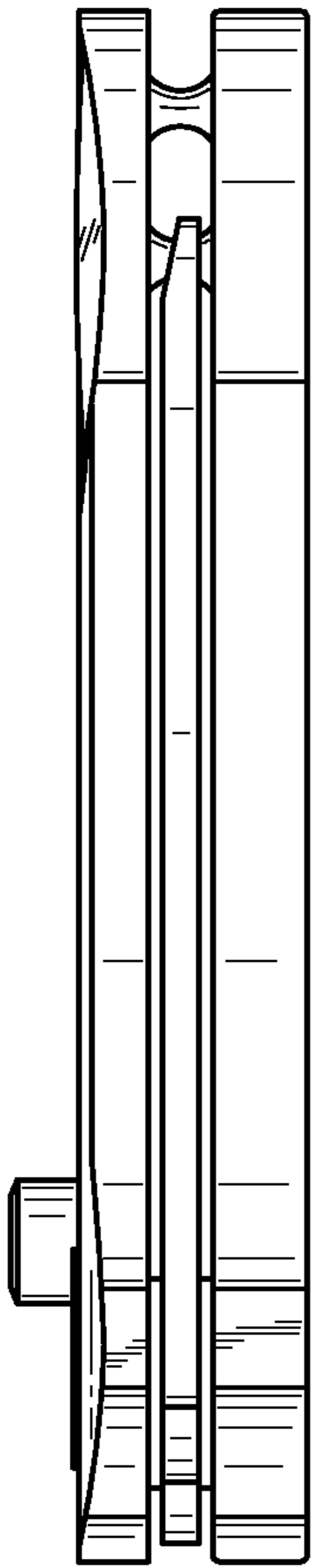


FIG. 5

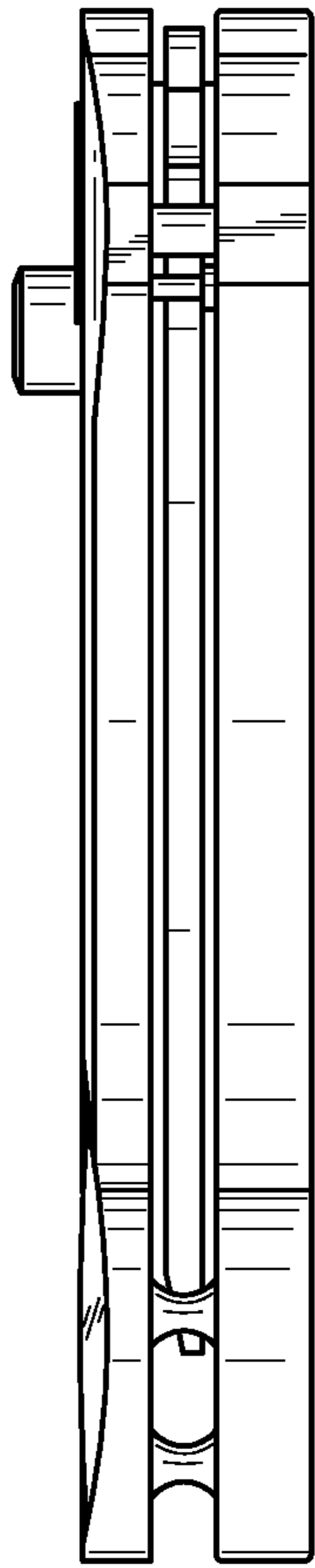


FIG. 6

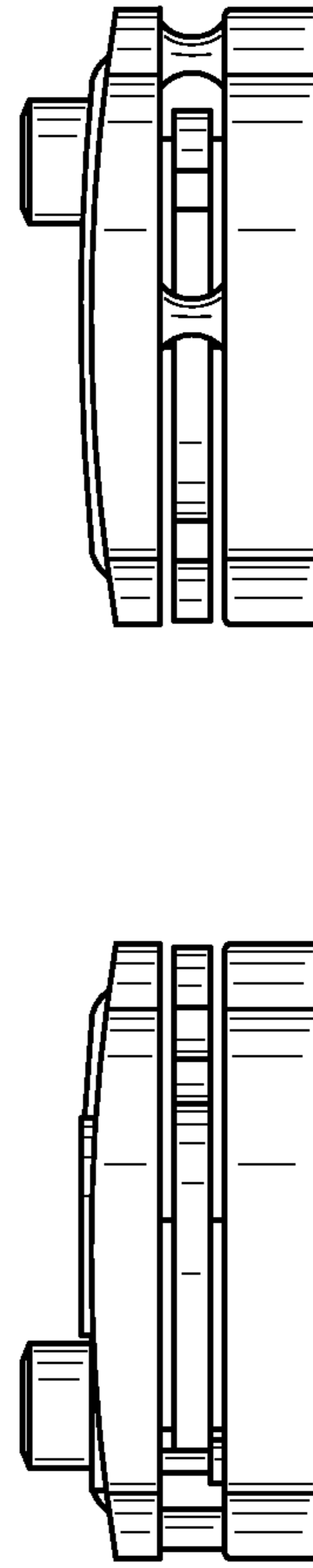


FIG. 7

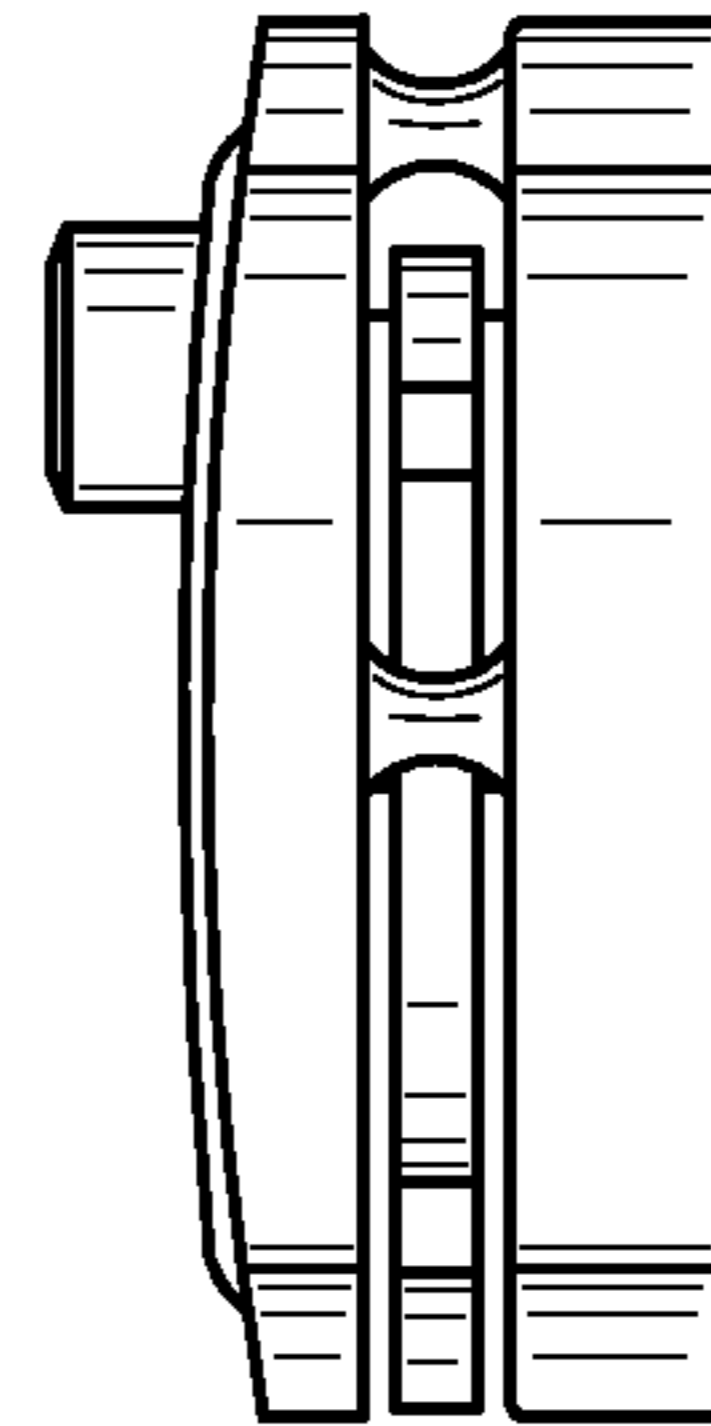


FIG. 8

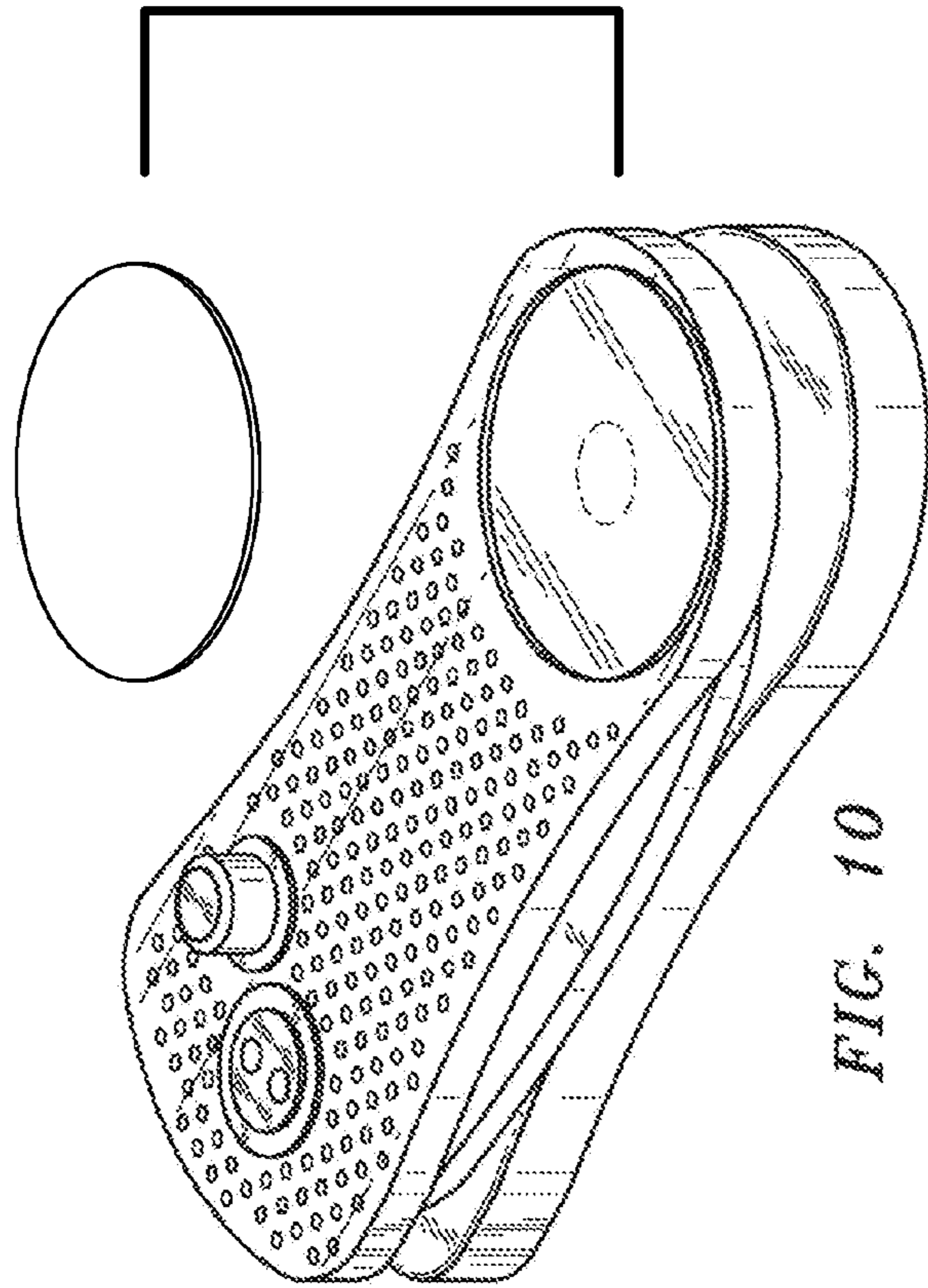


FIG. 10

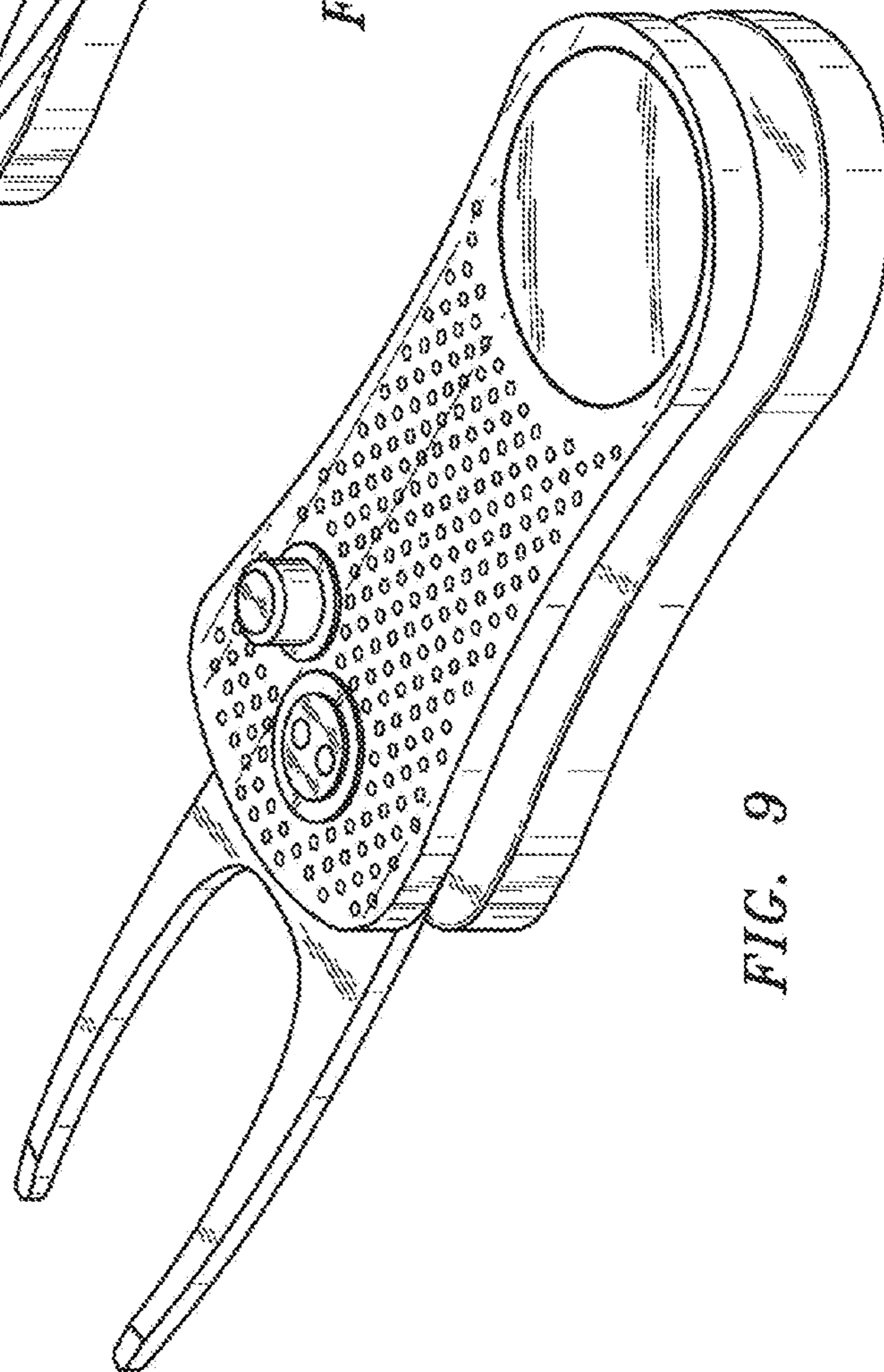


FIG. 9