



US00D700262S

(12) **United States Design Patent**
Zwart

(10) **Patent No.:** **US D700,262 S**

(45) **Date of Patent:** **** *Feb. 25, 2014**

(54) **GOLF DIVOT REPAIR TOOL**

(71) Applicant: **Michel Zwart**, Hong Kong (CN)

(72) Inventor: **Michel Zwart**, Hong Kong (CN)

(*) Notice: This patent is subject to a terminal disclaimer.

(**) Term: **14 Years**

(21) Appl. No.: **29/433,869**

(22) Filed: **Oct. 5, 2012**

(51) **LOC (10) Cl.** **21-02**

(52) **U.S. Cl.**
USPC **D21/793**

(58) **Field of Classification Search**
USPC D21/789, 793; 473/286, 408; 30/161,
30/155; 7/118; D8/105-106
See application file for complete search history.

(56) **References Cited**

U.S. PATENT DOCUMENTS

5,405,133 A * 4/1995 Upton 473/408
6,162,137 A * 12/2000 Jones et al. 473/408

D471,944 S * 3/2003 Freitas et al. D21/793
6,800,042 B2 * 10/2004 Braithwaite 473/408
D500,828 S * 1/2005 Pace D21/793
6,837,807 B1 * 1/2005 Kerr 473/408
D570,946 S * 6/2008 Oas D21/793
D651,272 S * 12/2011 Corcoran et al. D21/793
D669,148 S * 10/2012 Dalton D21/793
D669,952 S * 10/2012 Zwart D21/793
D684,645 S * 6/2013 Gerard D21/793

* cited by examiner

Primary Examiner — Mitchell Siegel

(74) *Attorney, Agent, or Firm* — Daniel Law Offices, P.A.;
Jason T. Daniel, Esq.

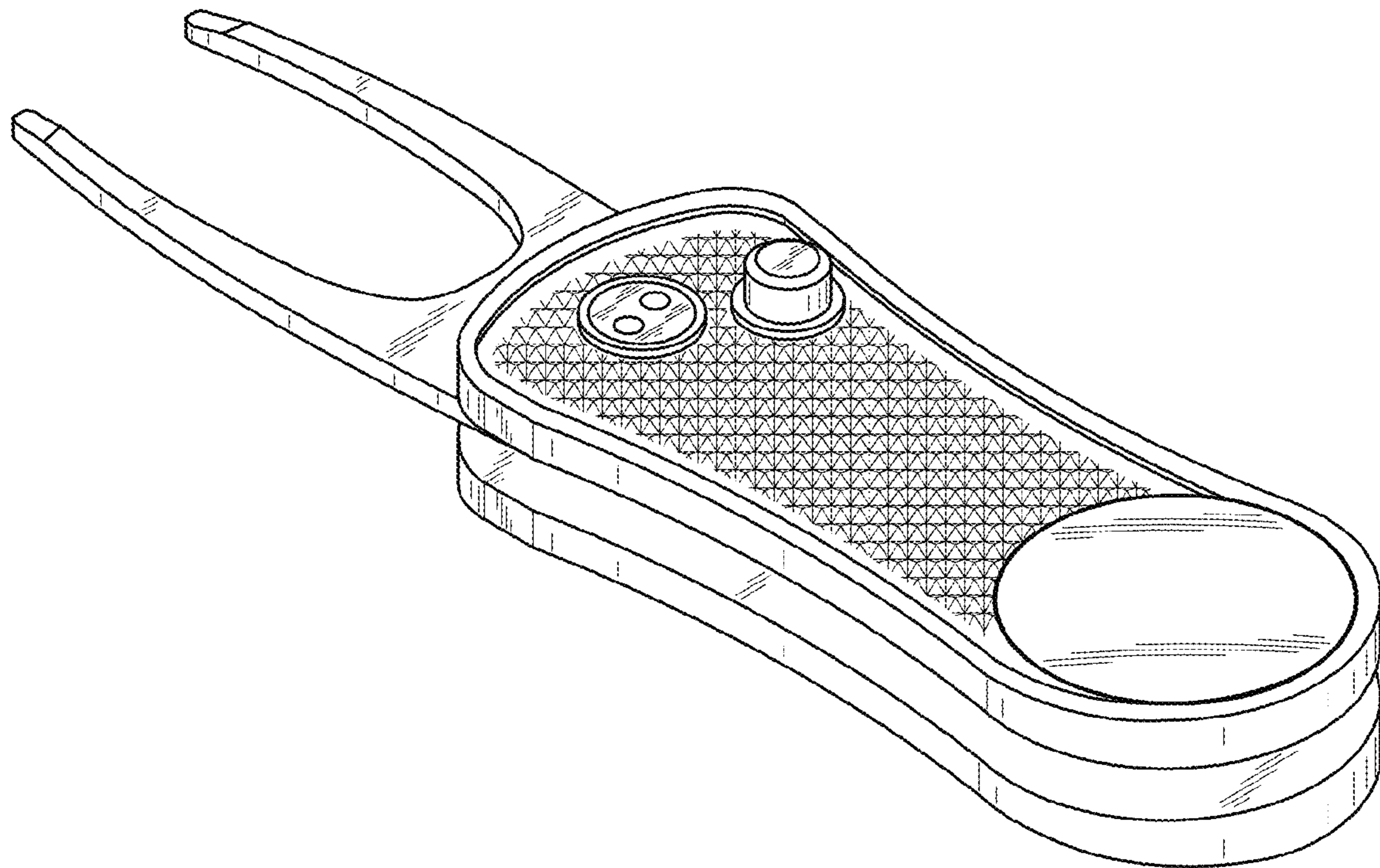
(57) **CLAIM**

The ornamental design for a golf divot repair tool, as shown.

DESCRIPTION

FIG. 1 is a perspective view thereof in a closed position,
FIG. 2 is a front side elevational view thereof,
FIG. 3 is a back side elevational view thereof,
FIG. 4 is a left side elevational view thereof,
FIG. 5 is a right side elevational view thereof,
FIG. 6 is a top side elevational view thereof,
FIG. 7 is a bottom side elevational view thereof; and,
FIG. 8 is a perspective view thereof in an open position.

1 Claim, 4 Drawing Sheets



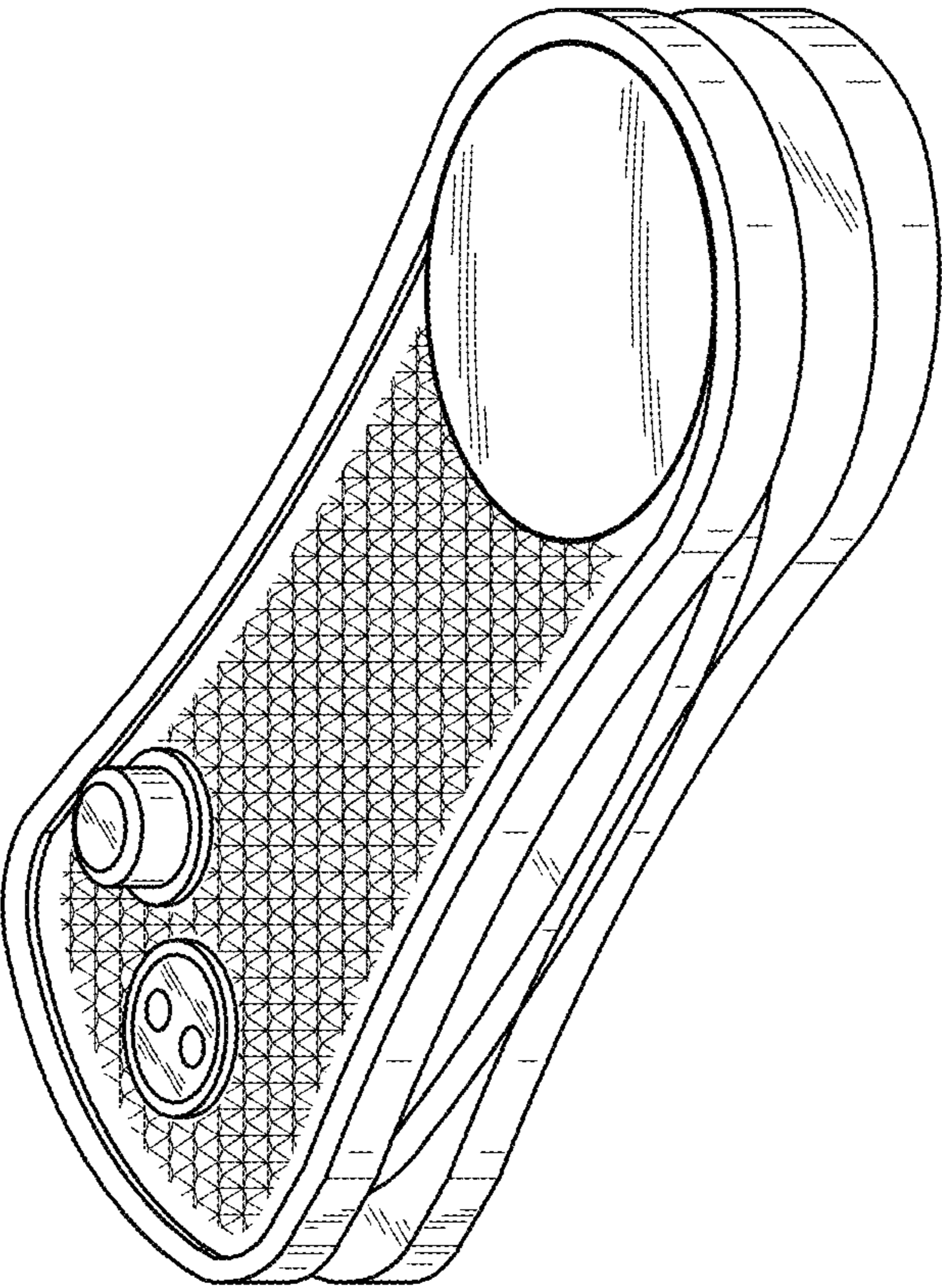


FIG. 1

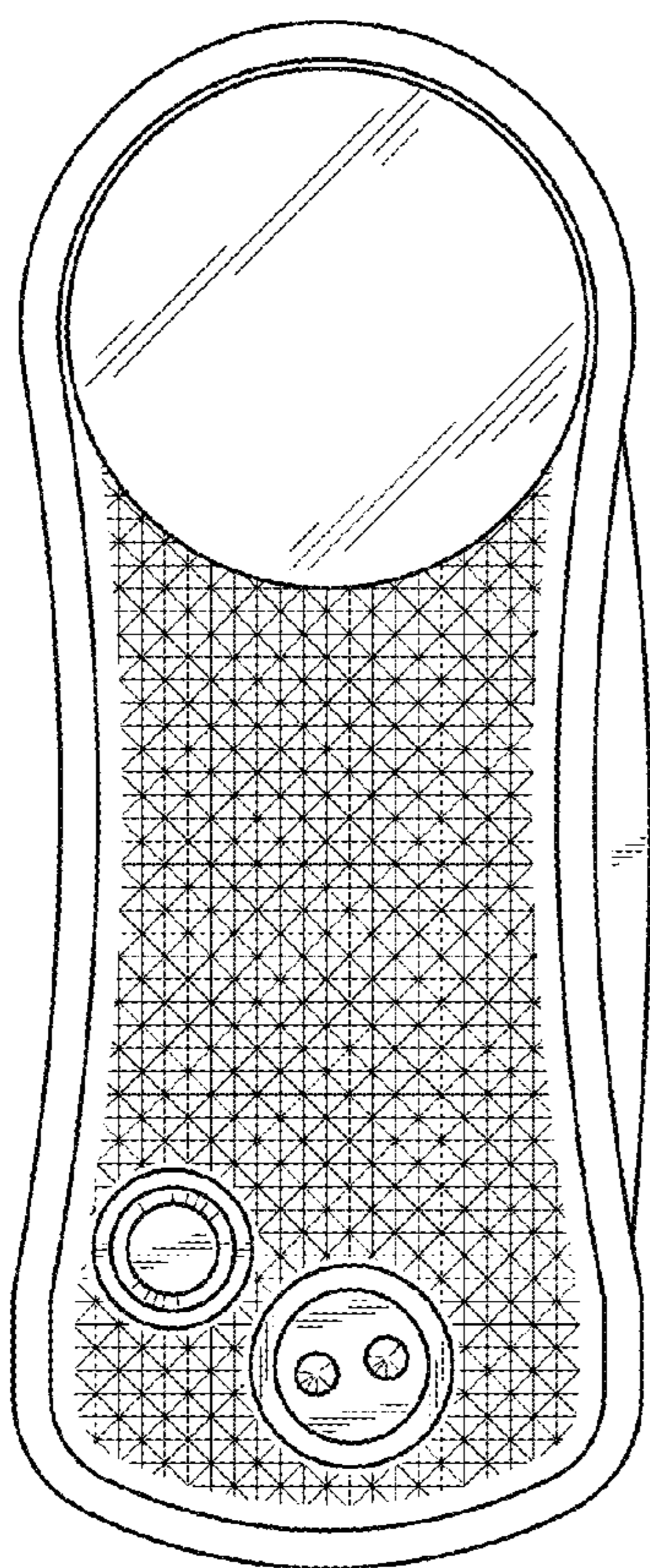


FIG. 2

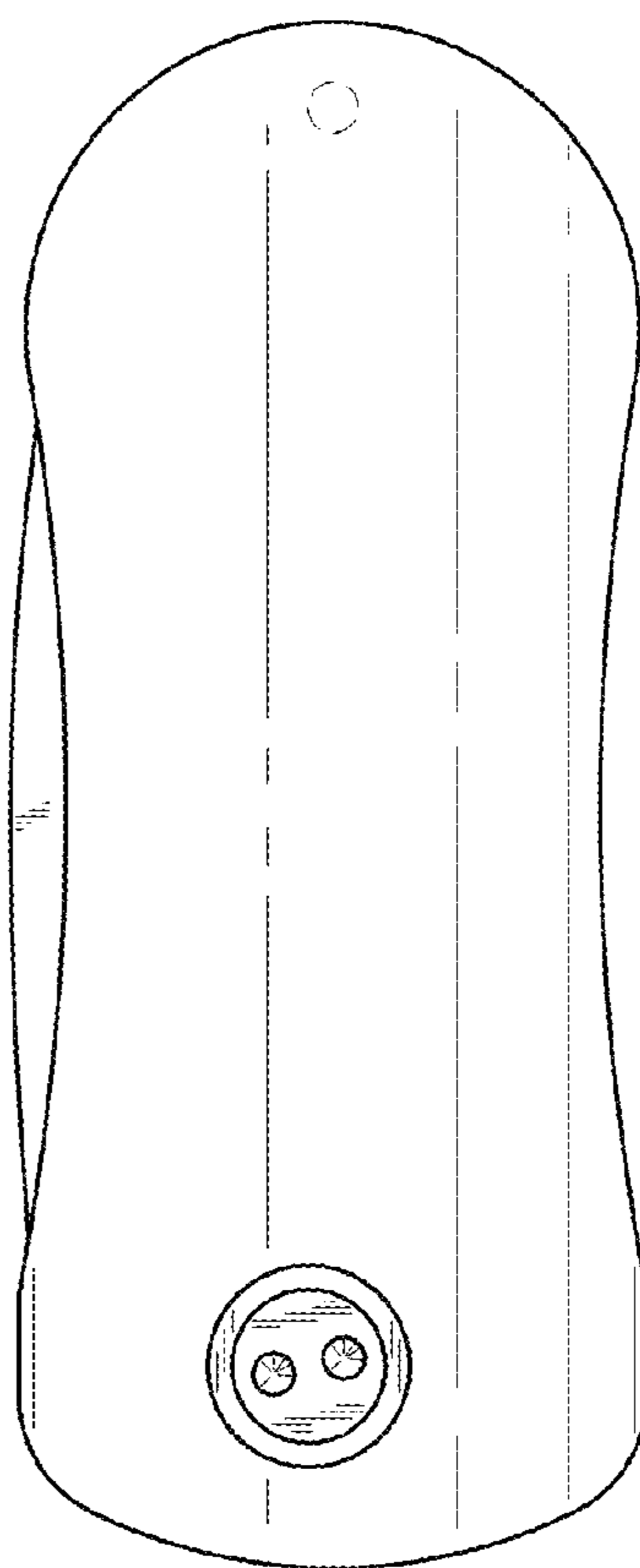


FIG. 3

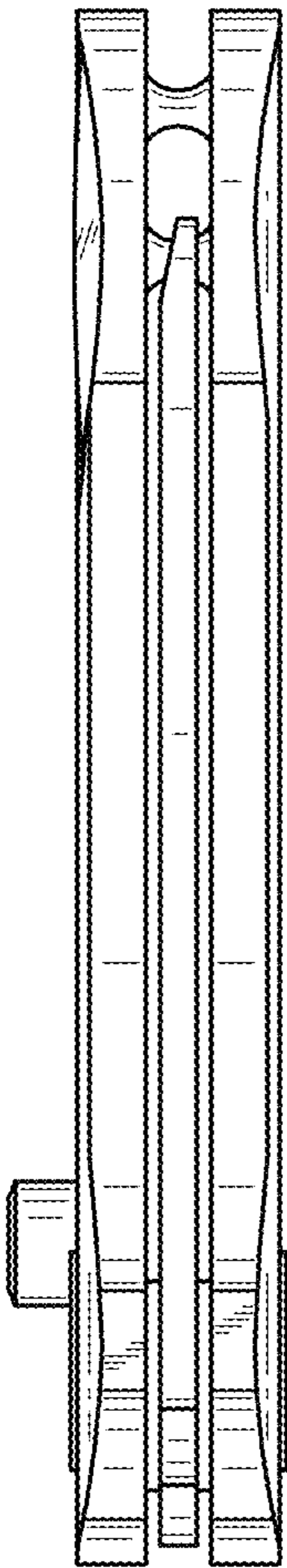


FIG. 4

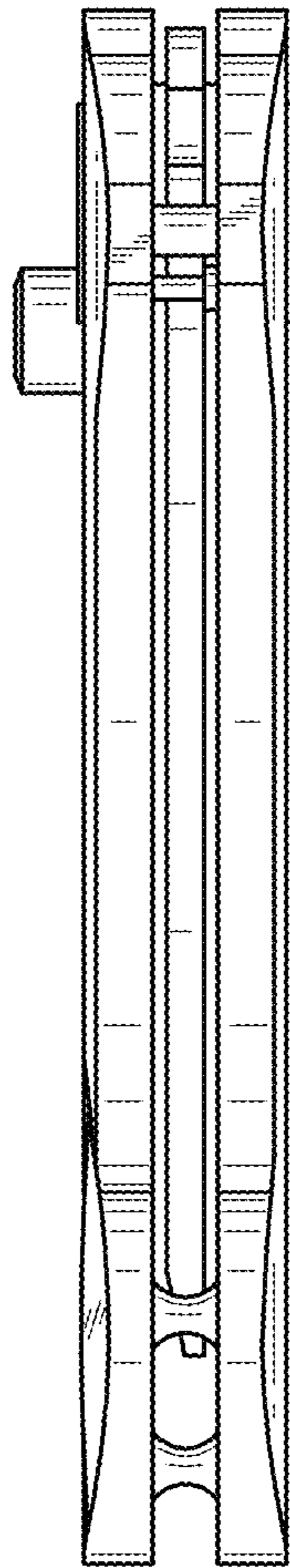


FIG. 5



FIG. 6

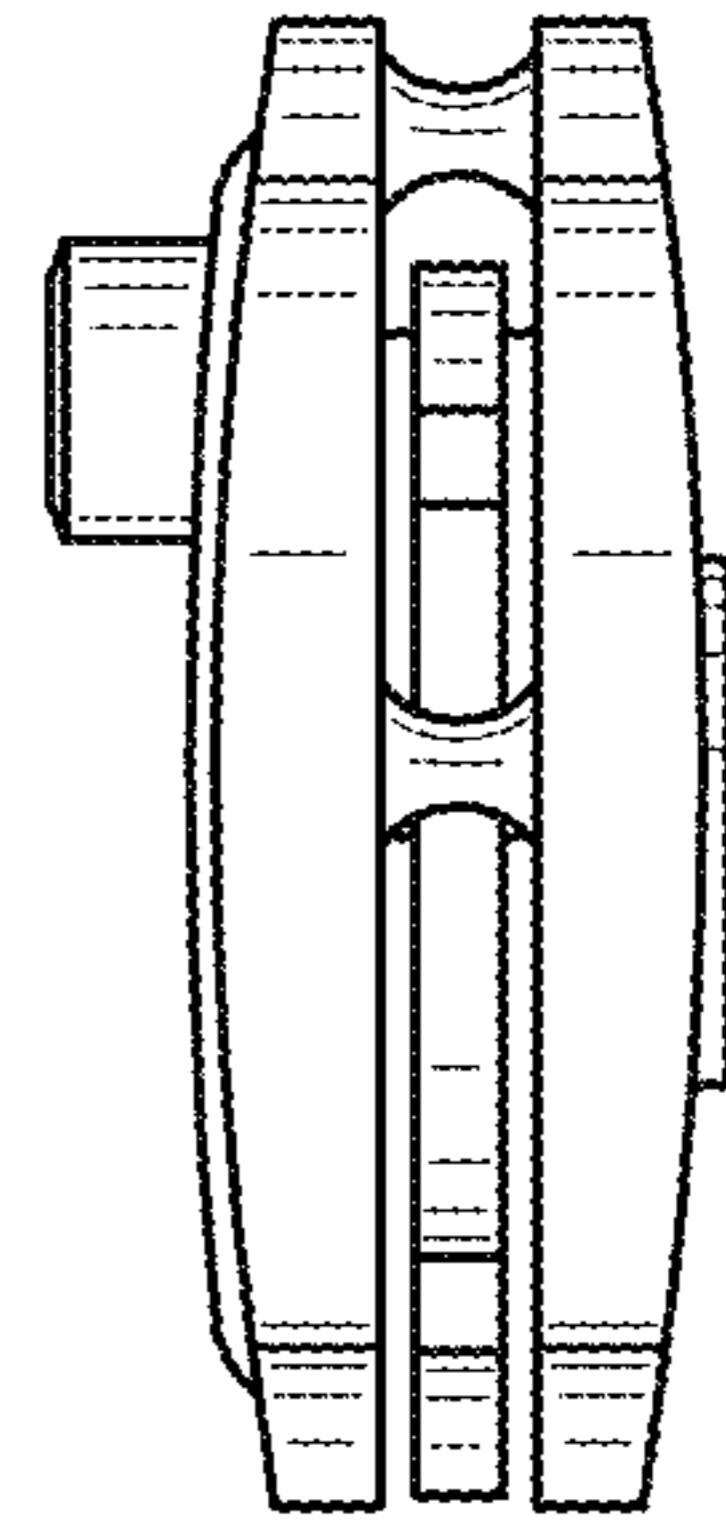


FIG. 7

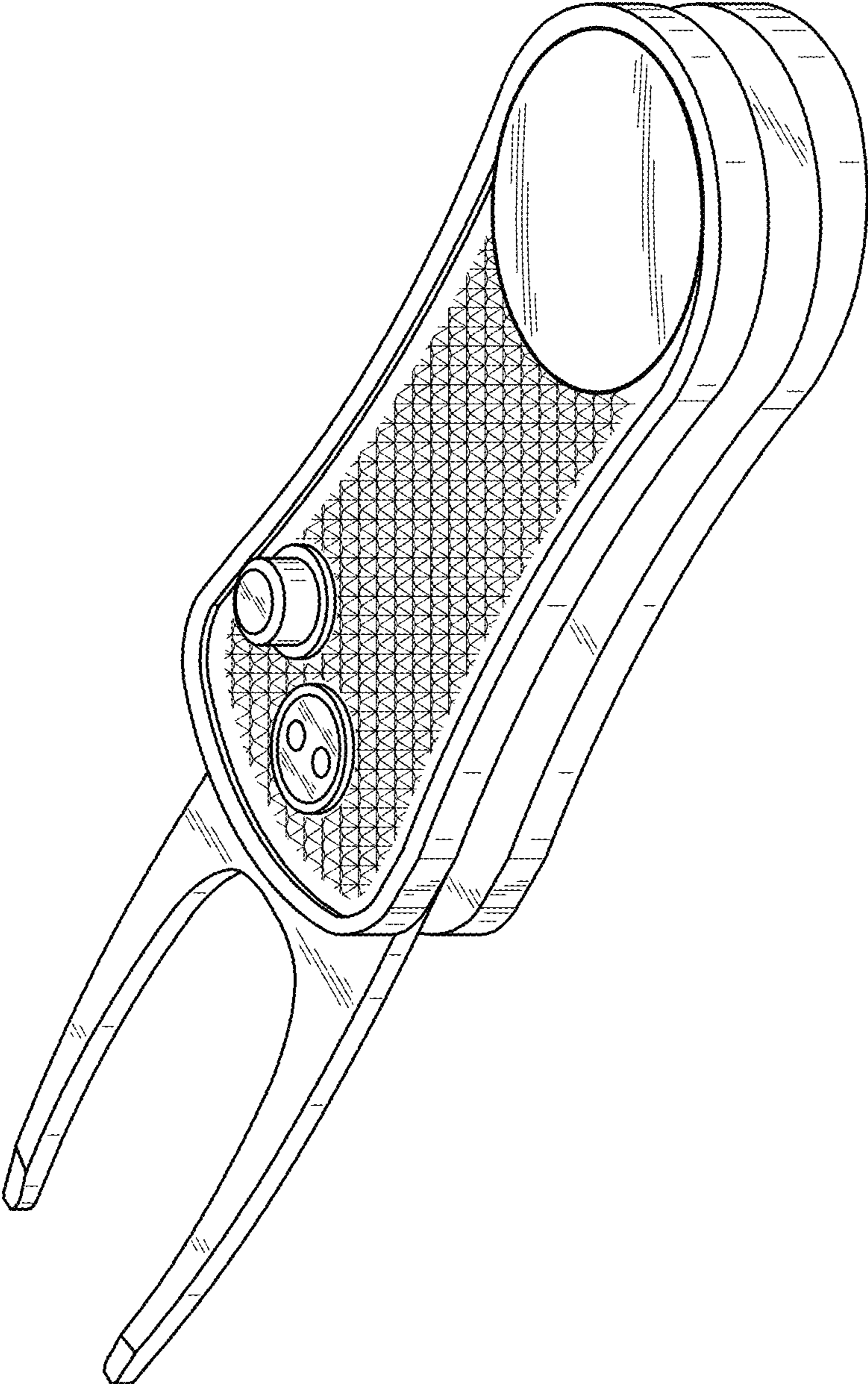


FIG. 8