



US00D700260S

(12) **United States Design Patent**  
**Geiger**

(10) **Patent No.:** **US D700,260 S**

(45) **Date of Patent:** **\*\* Feb. 25, 2014**

(54) **PIVOTAL GOLF TEE**

(71) Applicant: **Kevin Geiger**, Groton, NY (US)

(72) Inventor: **Kevin Geiger**, Groton, NY (US)

(\*\*) Term: **14 Years**

(21) Appl. No.: **29/460,845**

(22) Filed: **Jul. 16, 2013**

(51) **LOC (10) Cl.** ..... **21-02**

(52) **U.S. Cl.**  
USPC ..... **D21/718**

(58) **Field of Classification Search**  
USPC ..... D21/717-721, 789-796; 473/386-403  
See application file for complete search history.

(56) **References Cited**

U.S. PATENT DOCUMENTS

1,623,119	A *	4/1927	Kearney	473/391
1,717,962	A *	6/1929	Deike	473/397
1,807,377	A *	5/1931	De Witt	473/397
1,947,674	A *	2/1934	Dalglish	473/397
2,146,736	A *	2/1939	Hammond et al.	473/397
D268,438	S *	3/1983	Morford	D21/718
5,085,432	A *	2/1992	Takeo	473/399

D388,482	S *	12/1997	Fragoso	D21/718
D390,898	S *	2/1998	Rudduck	D21/718
5,759,119	A *	6/1998	Ayoub	473/387
D468,379	S *	1/2003	Gan	D21/717
D477,373	S *	7/2003	Holtz	D21/717
6,899,644	B1 *	5/2005	Song et al.	473/397
2005/0130769	A1 *	6/2005	Olsen	473/387

FOREIGN PATENT DOCUMENTS

GB	2415635	A *	1/2006
WO	WO 2005021109	A1 *	3/2005
WO	WO 2006004308	A1 *	1/2006

\* cited by examiner

*Primary Examiner* — Catherine Tuttle

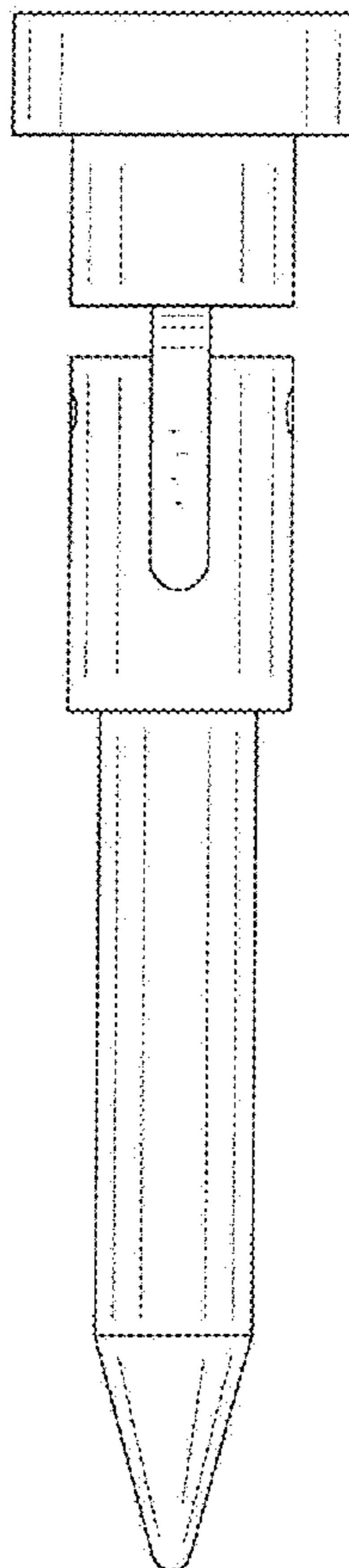
(57) **CLAIM**

The ornamental design for a pivotal golf tee, as shown and described.

**DESCRIPTION**

FIG. 1 is front elevational view of the pivotal golf tee showing my new design;  
FIG. 2 is a side elevational view thereof;  
FIG. 3 is top elevational view thereof;  
FIG. 4 is a bottom elevational view thereof; and,  
FIG. 5 is an isometric view thereof.

**1 Claim, 3 Drawing Sheets**



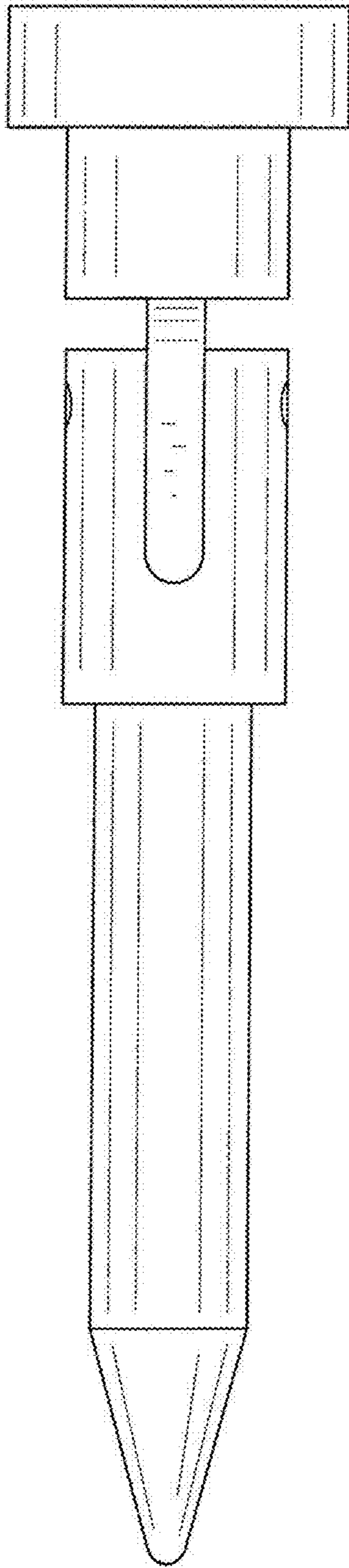


FIG. 1

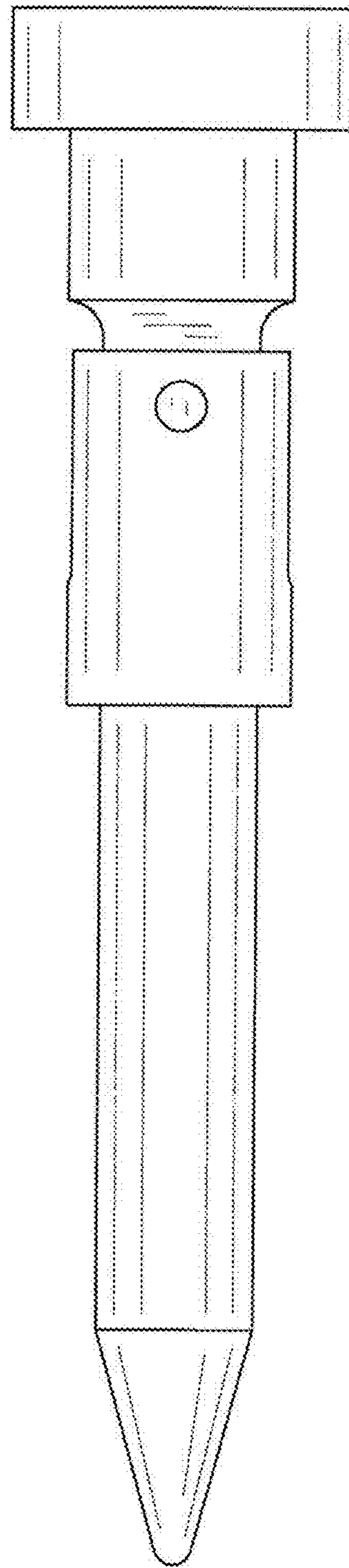


FIG. 2

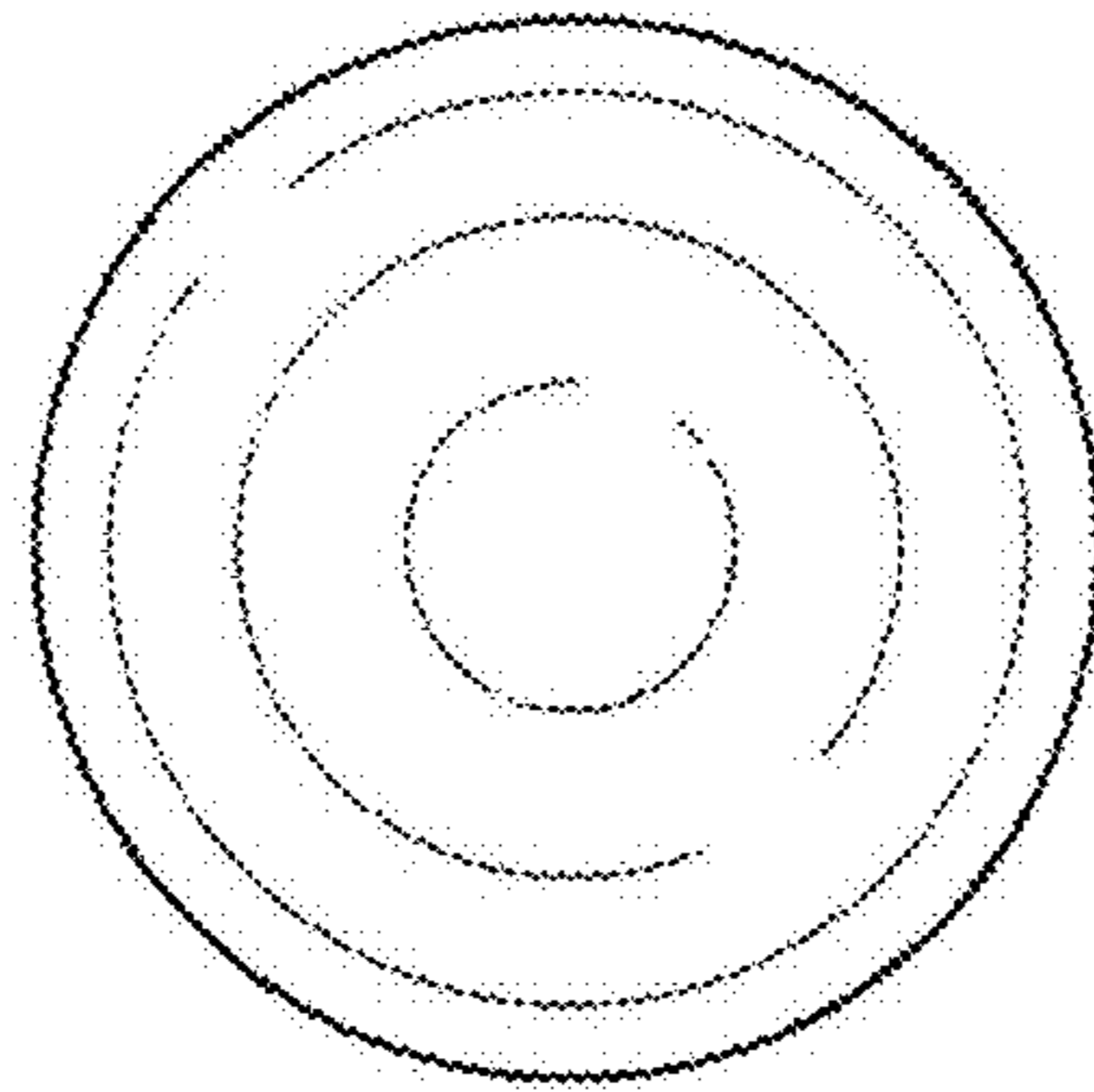


FIG. 3

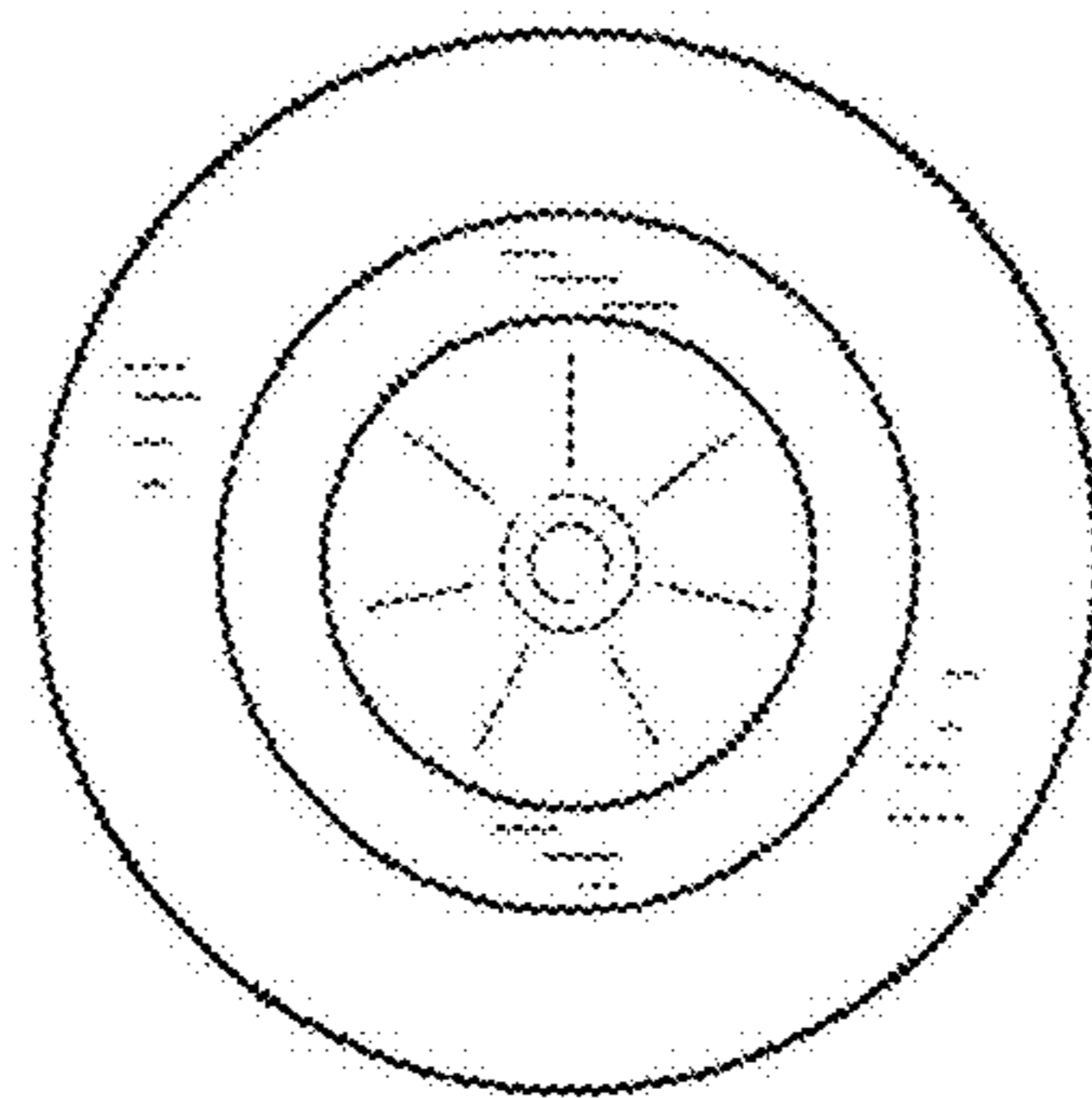


FIG. 4

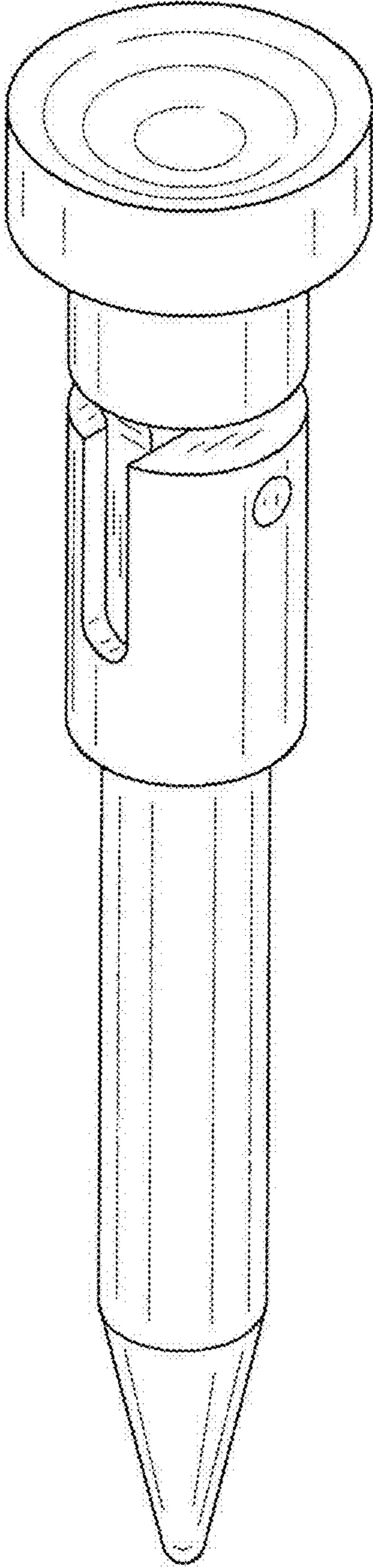


FIG. 5