



US00D700259S

(12) **United States Design Patent**  
**Lien**

(10) **Patent No.:** **US D700,259 S**

(45) **Date of Patent:** **\*\* Feb. 25, 2014**

(54) **SLAM BALL**

(71) Applicant: **USA Sports, Inc.**, Houston, TX (US)

(72) Inventor: **Louis C. C. Lien**, Bellaire, TX (US)

(73) Assignee: **USA Sports, Inc.**, Houston, TX (US)

(\*\*) Term: **14 Years**

(21) Appl. No.: **29/454,281**

(22) Filed: **May 8, 2013**

(51) **LOC (10) Cl.** ..... **21-02**

(52) **U.S. Cl.**  
USPC ..... **D21/713; D21/707**

(58) **Field of Classification Search**  
USPC ..... D9/707-714; D30/160; 473/569-614,  
473/FOR. 134-FOR. 167; 428/11;  
446/220-226, 267, 400, 431, 486;  
119/707-711

See application file for complete search history.

(56) **References Cited**

**U.S. PATENT DOCUMENTS**

D58,234 S *	6/1921	Holley	.....	D21/406
D367,504 S *	2/1996	Barzani	.....	D21/498
D414,829 S *	10/1999	Feeney	.....	D21/713
D445,155 S *	7/2001	Lee	.....	D21/713
D501,520 S *	2/2005	Fraze	.....	D21/707
D516,642 S *	3/2006	Swiszczy et al.	.....	D21/713
D516,646 S *	3/2006	Yang	.....	D21/713

D516,647 S *	3/2006	Yang	.....	D21/713
D544,931 S *	6/2007	Laliberty et al.	.....	D21/713
D568,426 S *	5/2008	Takubo	.....	D21/713
D599,964 S *	9/2009	Viola	.....	D30/160
7,976,417 B2 *	7/2011	Bagley et al.	.....	473/571
D644,702 S *	9/2011	Krysiak	.....	D21/713
D658,243 S *	4/2012	Saber et al.	.....	D21/713

**FOREIGN PATENT DOCUMENTS**

CN	3508898	*	2/2006
JP	D1263342	*	2/2006
JP	D2004-26511	*	4/2006

\* cited by examiner

*Primary Examiner* — Catherine Tuttle

(74) *Attorney, Agent, or Firm* — Osha Liang LLP

(57) **CLAIM**

The ornamental design for the slam ball, as shown and described.

**DESCRIPTION**

FIG. 1 is a first perspective view of the slam ball showing my new design.

FIG. 2 is a second perspective view thereof.

FIG. 3 is a left side elevation view thereof, the opposing right side view being the same;

FIG. 4 is a front elevation view thereof, the opposing rear view being the same; and,

FIG. 5 is a top view thereof, the opposing bottom view being the same.

**1 Claim, 3 Drawing Sheets**

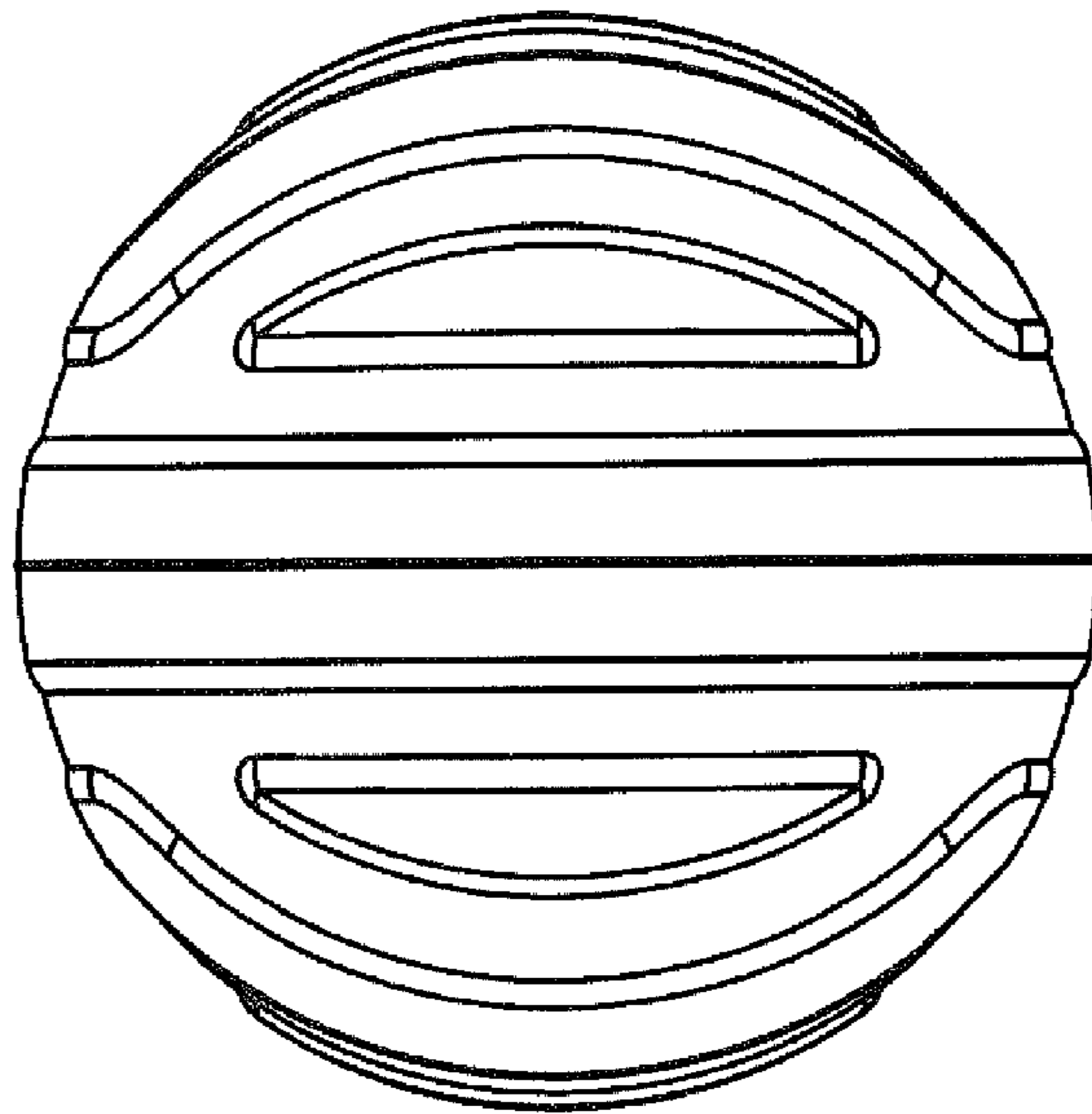
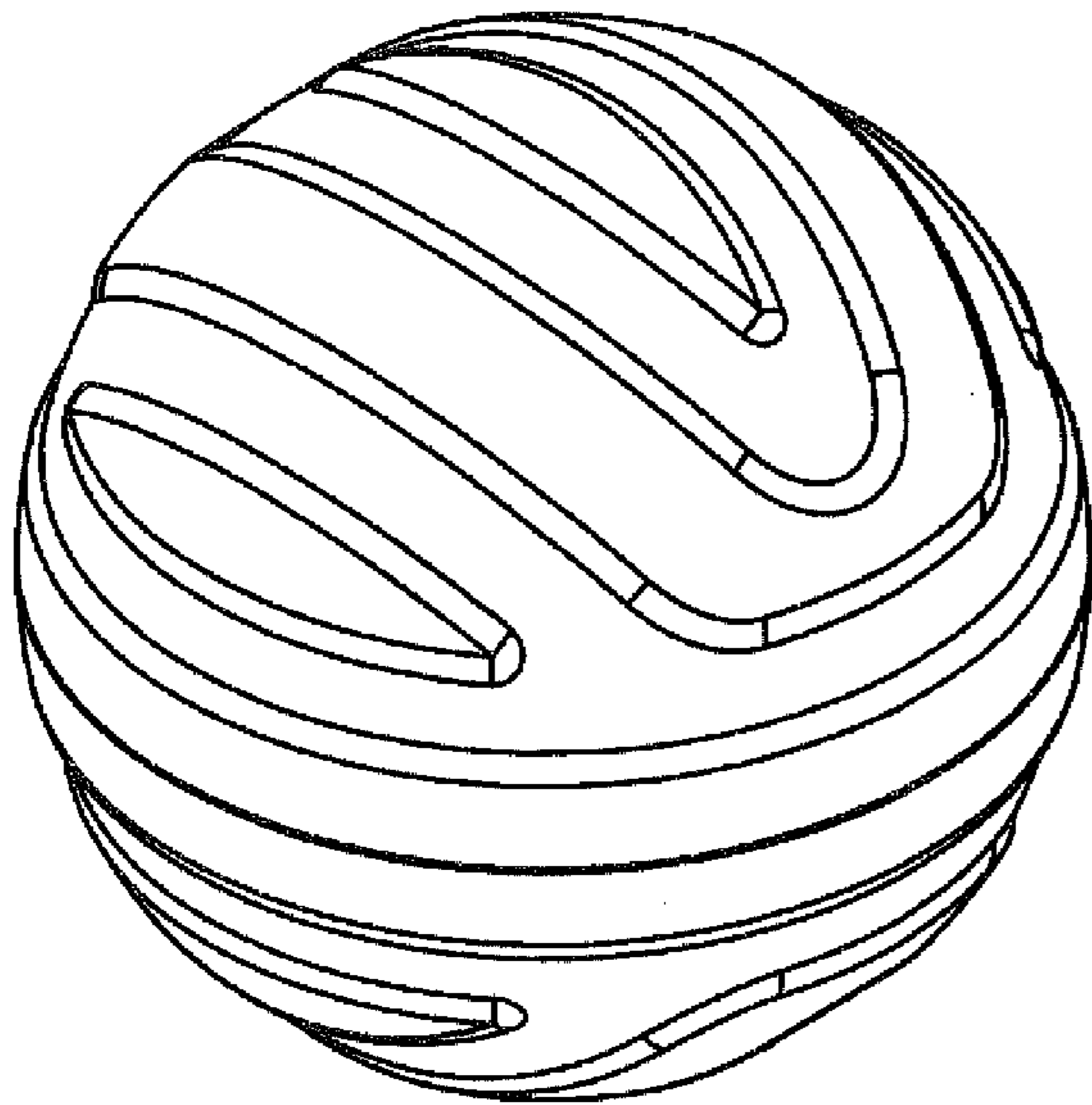


FIG. 1

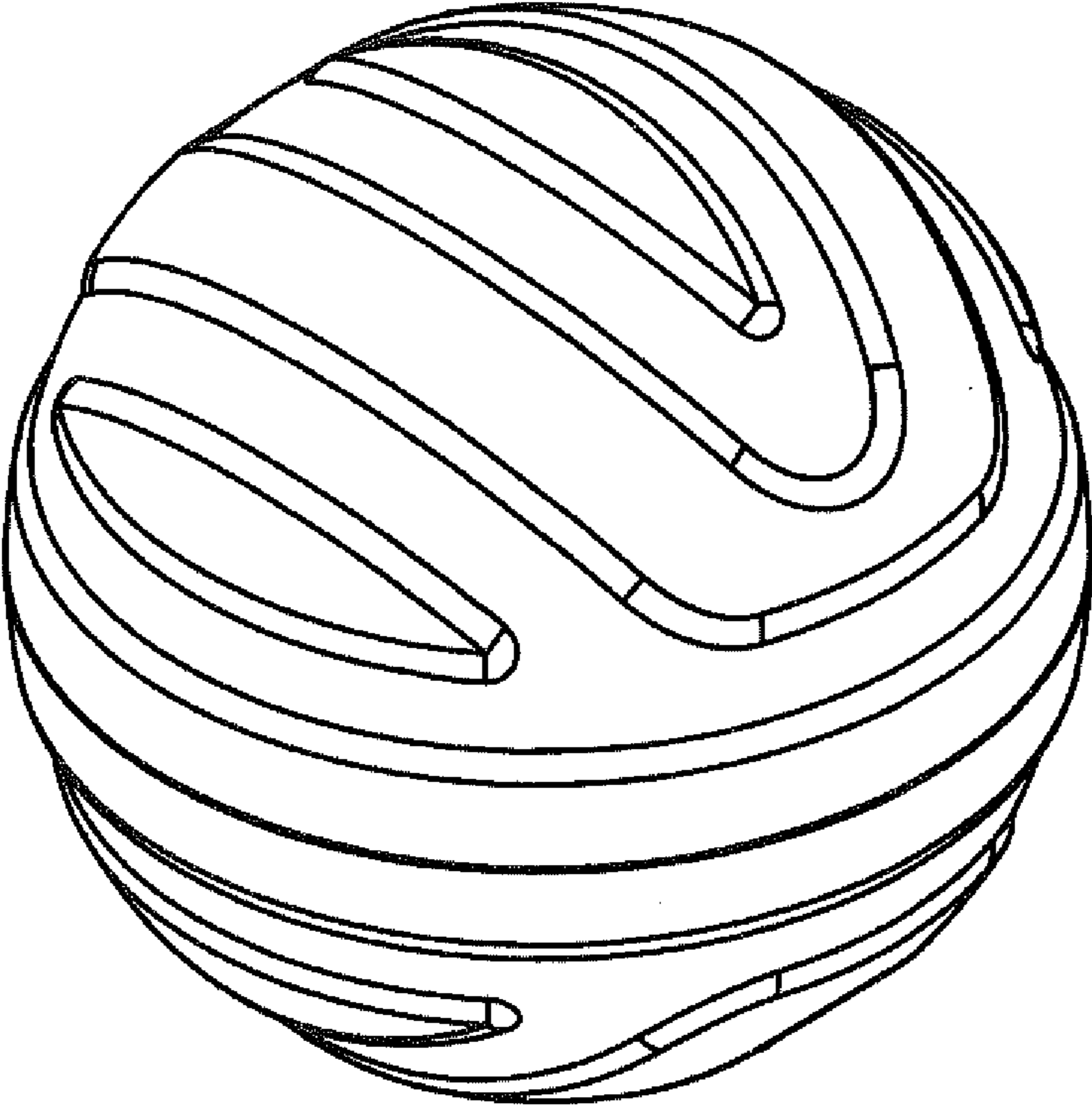


FIG. 2

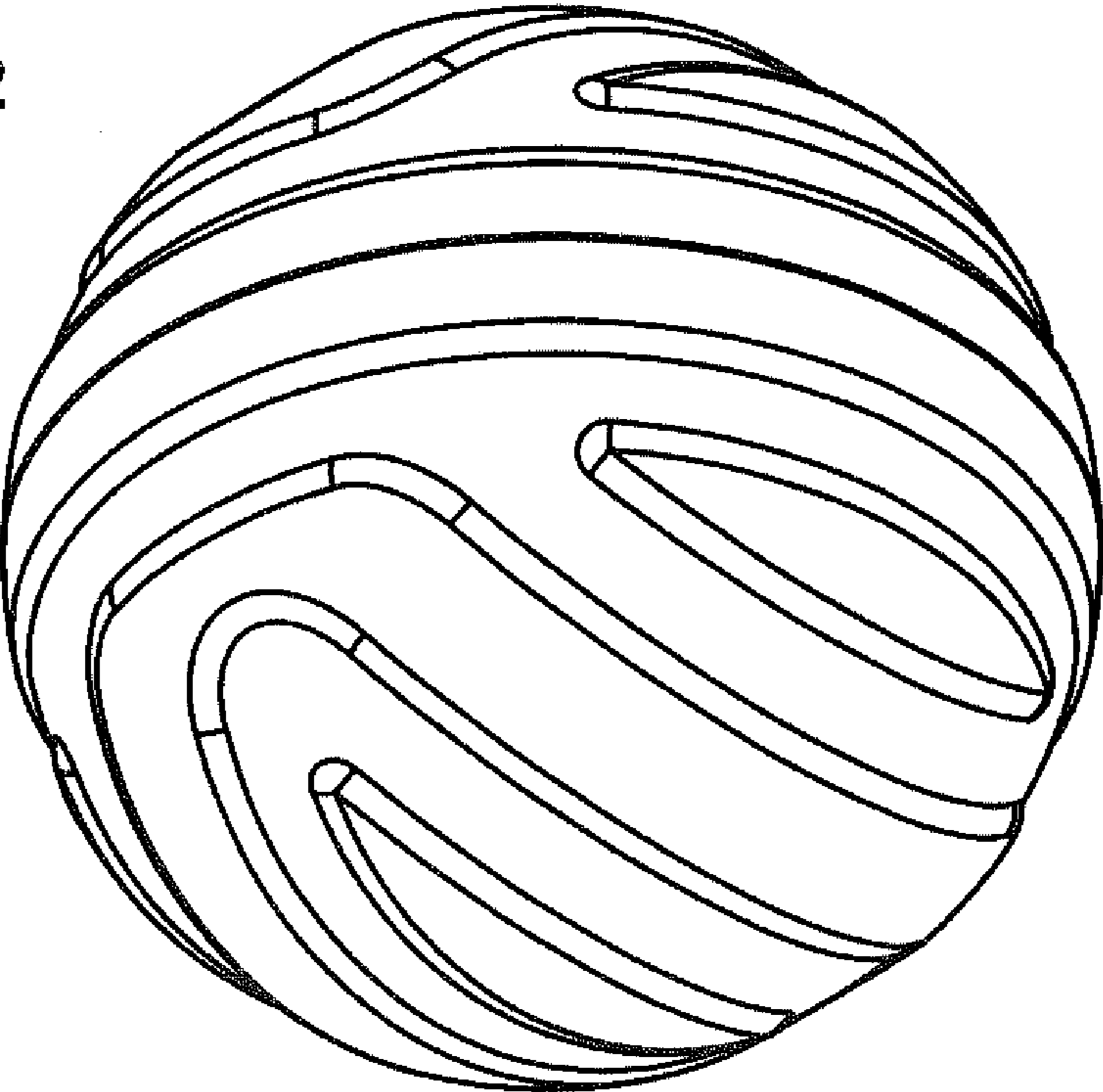


FIG. 3

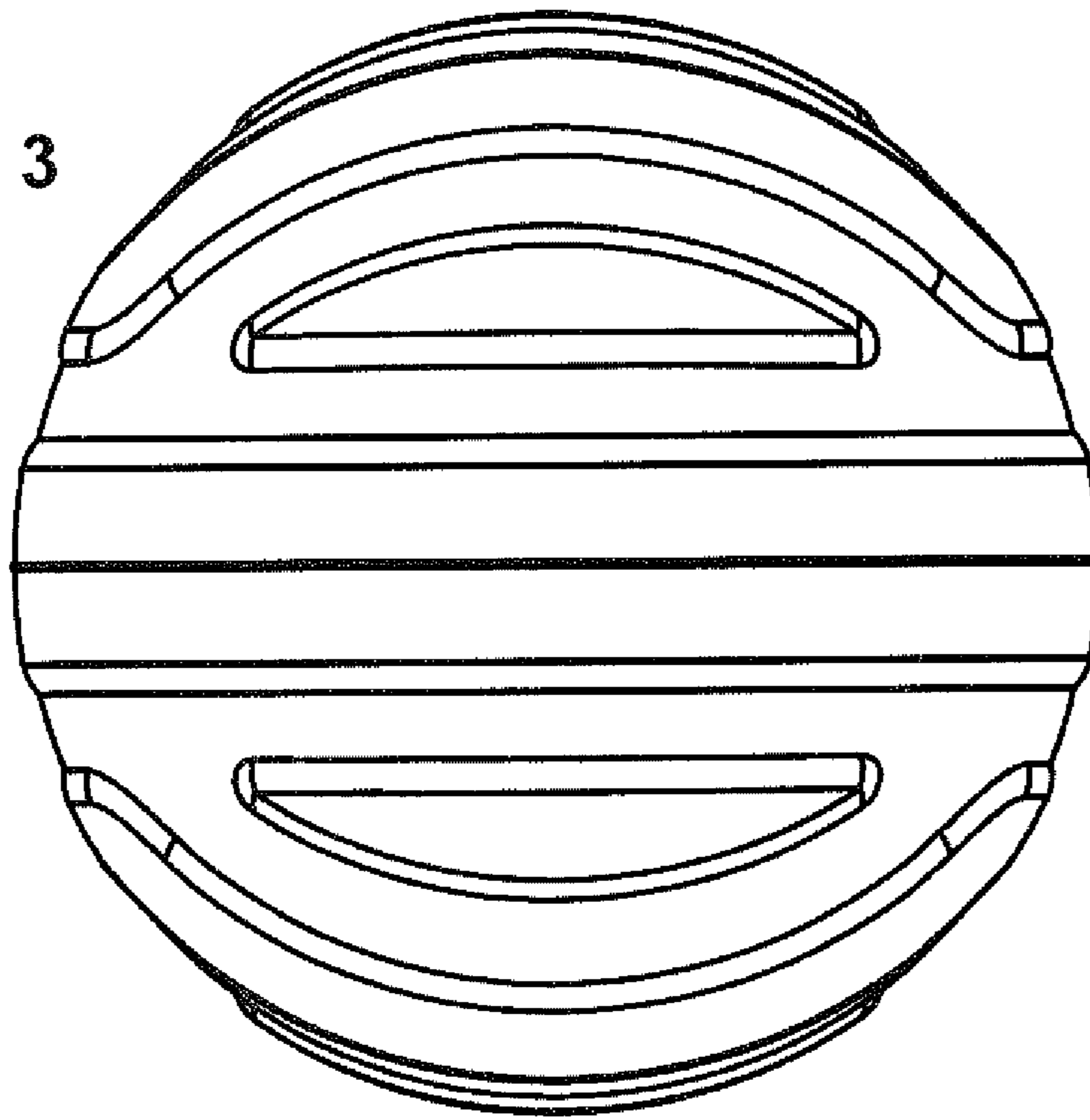


FIG. 4

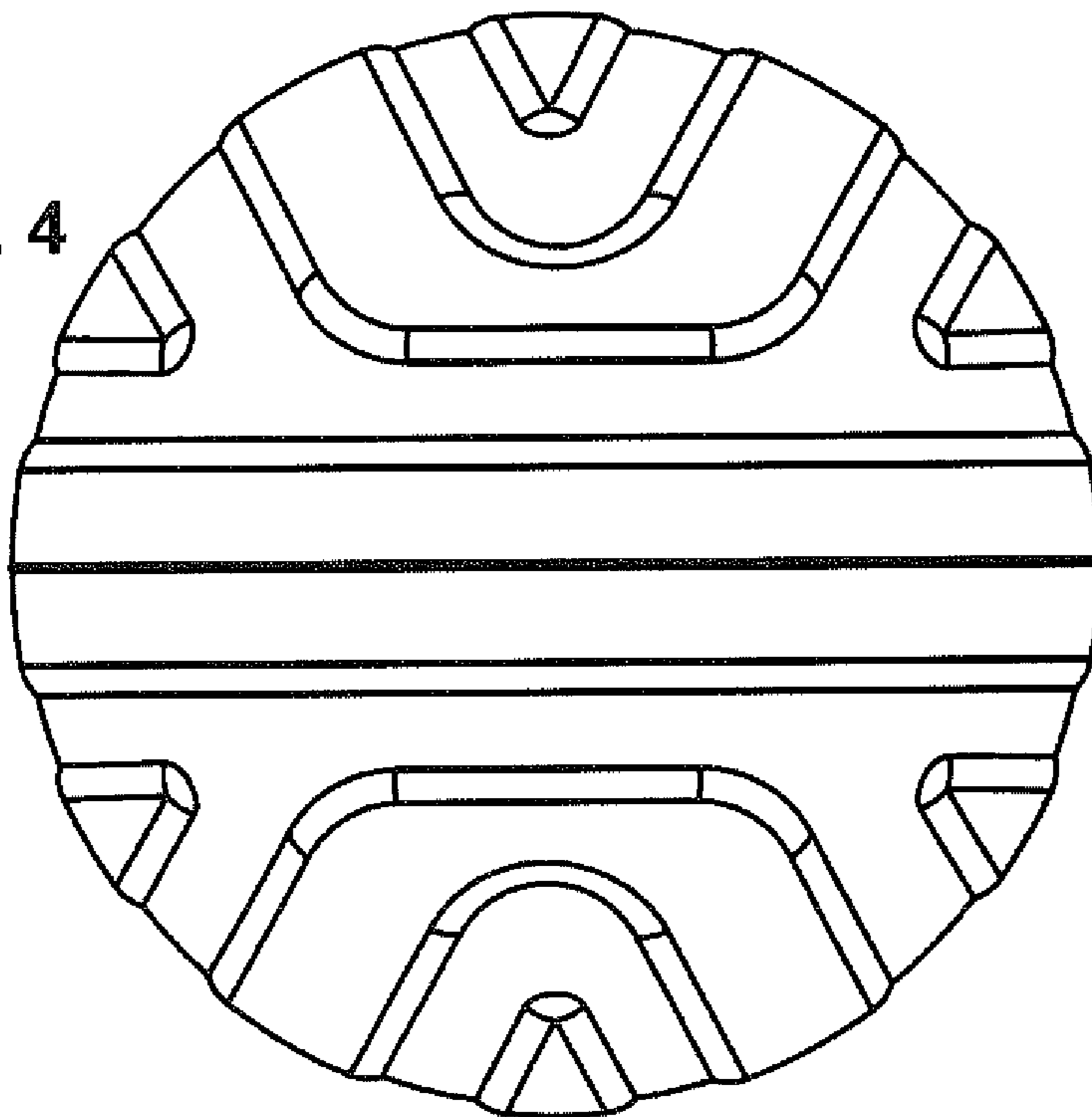


FIG. 5

