



US00D700249S

(12) **United States Design Patent**
Gutierrez et al.

(10) **Patent No.:** **US D700,249 S**

(45) **Date of Patent:** **** Feb. 25, 2014**

(54) **LINKING PIECE**

(71) Applicant: **Strottman International, Inc.**, Irvine, CA (US)

(72) Inventors: **German Gutierrez**, Irvine, CA (US);
Armando Roque, Irvine, CA (US)

(73) Assignee: **Strottman International, Inc.**, Irvine, CA (US)

(**) Term: **14 Years**

(21) Appl. No.: **29/449,931**

(22) Filed: **Mar. 15, 2013**

(51) **LOC (10) Cl.** **21-01**

(52) **U.S. Cl.**
USPC **D21/503**

(58) **Field of Classification Search**
USPC D21/484, 485, 486, 489, 491, 494, 495,
D21/499, 500-504; 446/69, 85, 102-128;
434/208, 259, 274, 403; 273/153, 156,
273/160; 428/174; 403/56
See application file for complete search history.

(56) **References Cited**

U.S. PATENT DOCUMENTS

3,900,984 A * 8/1975 Garelick 446/486
4,232,473 A * 11/1980 Jenkins 446/102
4,333,262 A * 6/1982 Kimura 446/484

4,509,929 A * 4/1985 Zawitz 446/102
4,569,665 A * 2/1986 Belton 446/114
D296,452 S * 6/1988 Takahashi D21/487
D304,740 S * 11/1989 Dideriksen D21/487
D347,453 S 5/1994 Pronsato et al.
6,824,440 B2 * 11/2004 Brener 446/124
7,666,054 B2 * 2/2010 Glickman et al. 446/124
2004/0063380 A1 * 4/2004 Chi et al. 446/220

* cited by examiner

Primary Examiner — Cynthia M Chin

(74) *Attorney, Agent, or Firm* — Rader, Fishman & Grauer PLLC

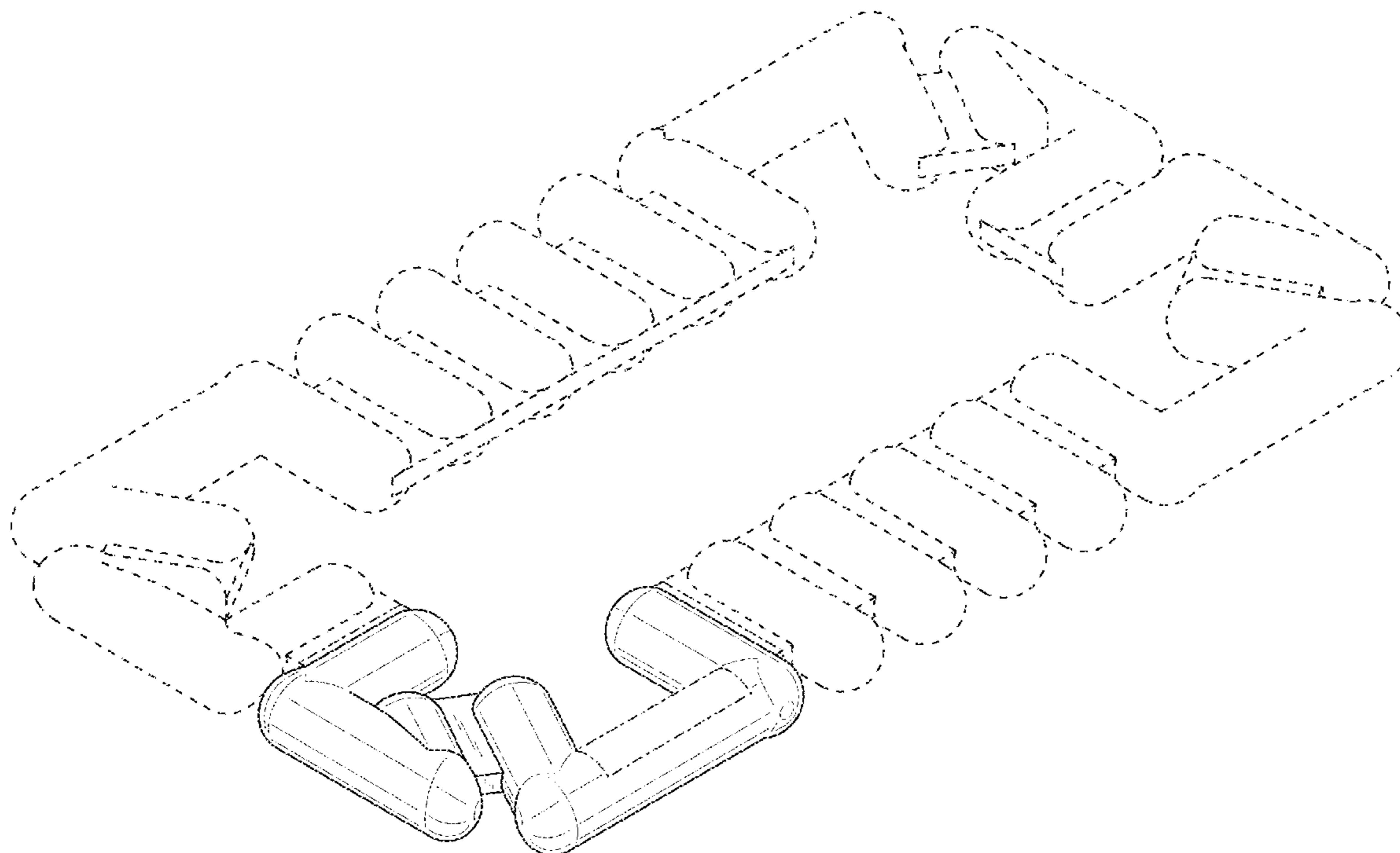
(57) **CLAIM**

The ornamental design for a linking piece, as shown and described.

DESCRIPTION

FIG. 1 is a perspective view of a first embodiment of a linking piece showing our new design;
FIG. 2 is a top plan view thereof;
FIG. 3 is a bottom plan view thereof;
FIG. 4 is a front elevational view thereof; and,
FIG. 5 is a right side elevational view thereof.
Portions that are shown as broken lines are for illustrative purpose only and form no part of the claimed design. Dot-dash broken lines form boundaries of, but are not included in, the claimed design.

1 Claim, 5 Drawing Sheets



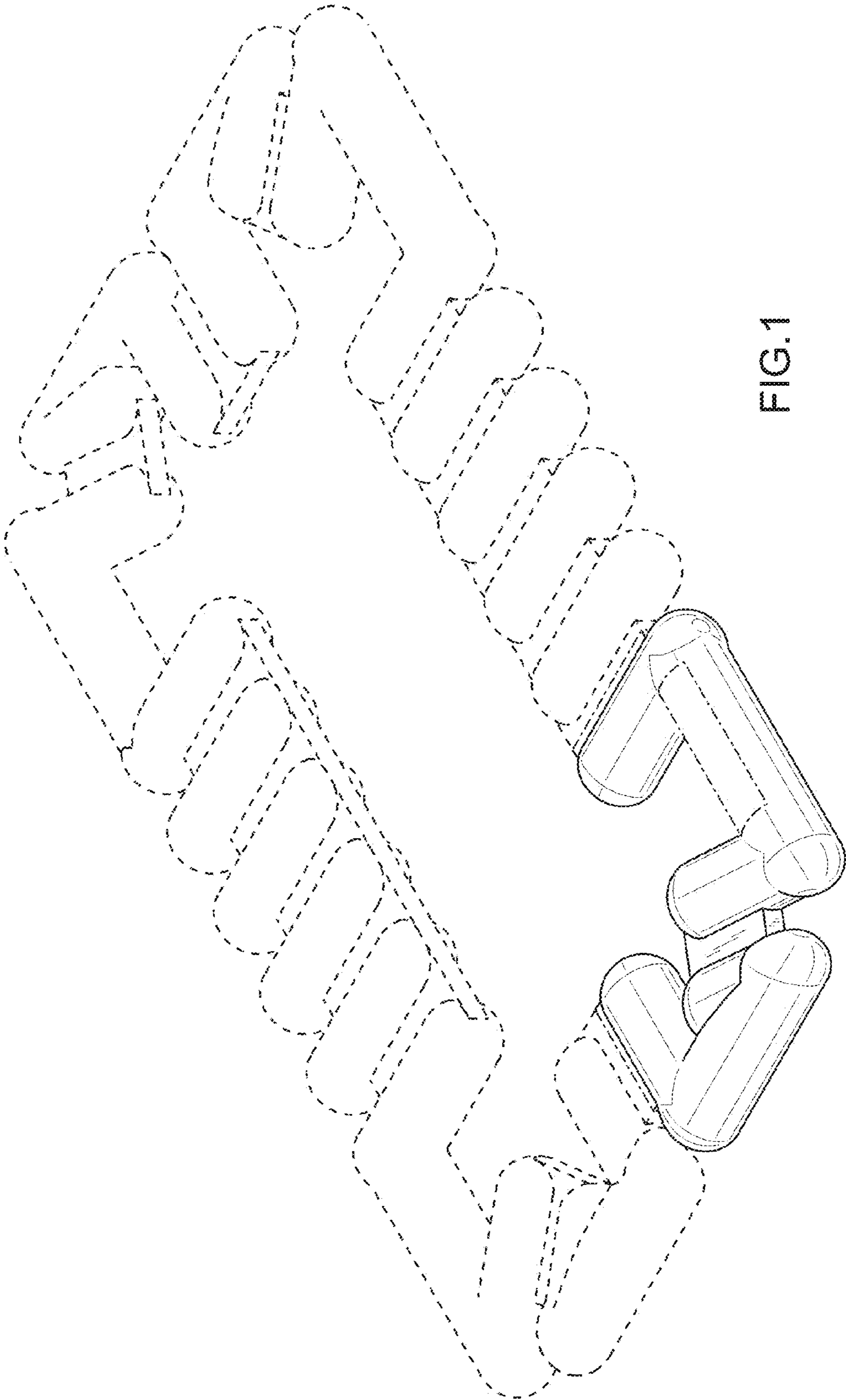


FIG.1

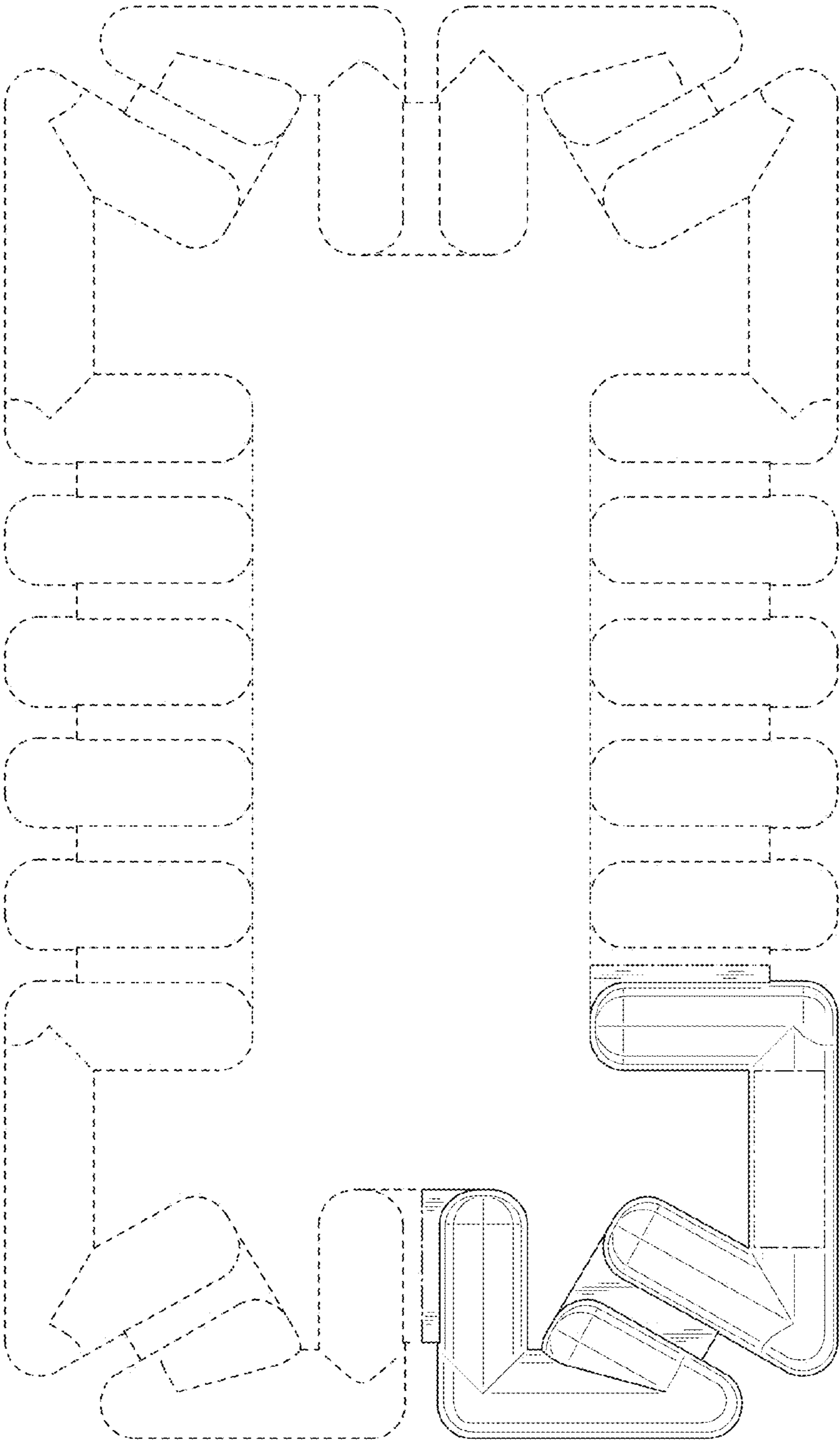


FIG.2

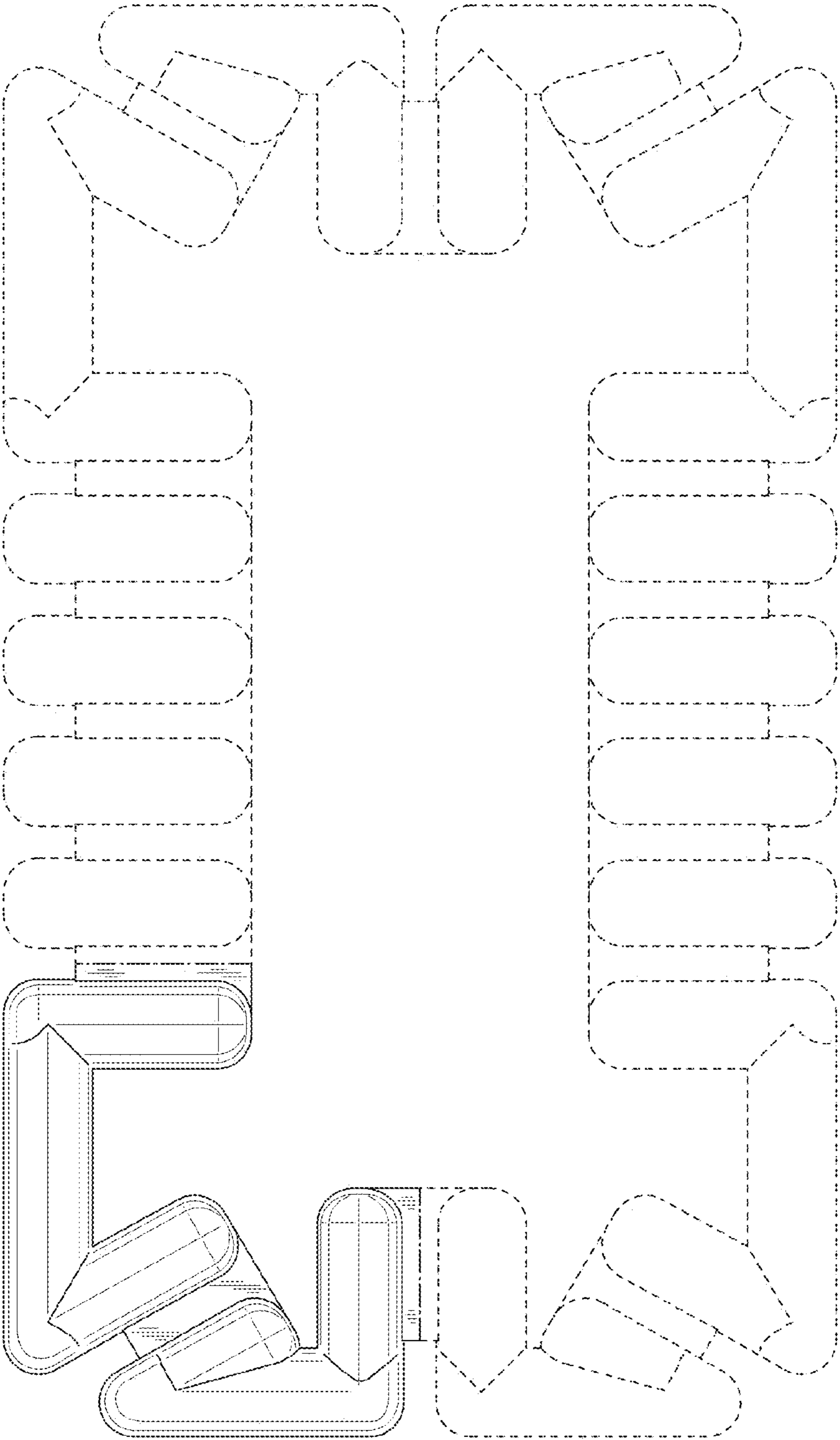


FIG.3

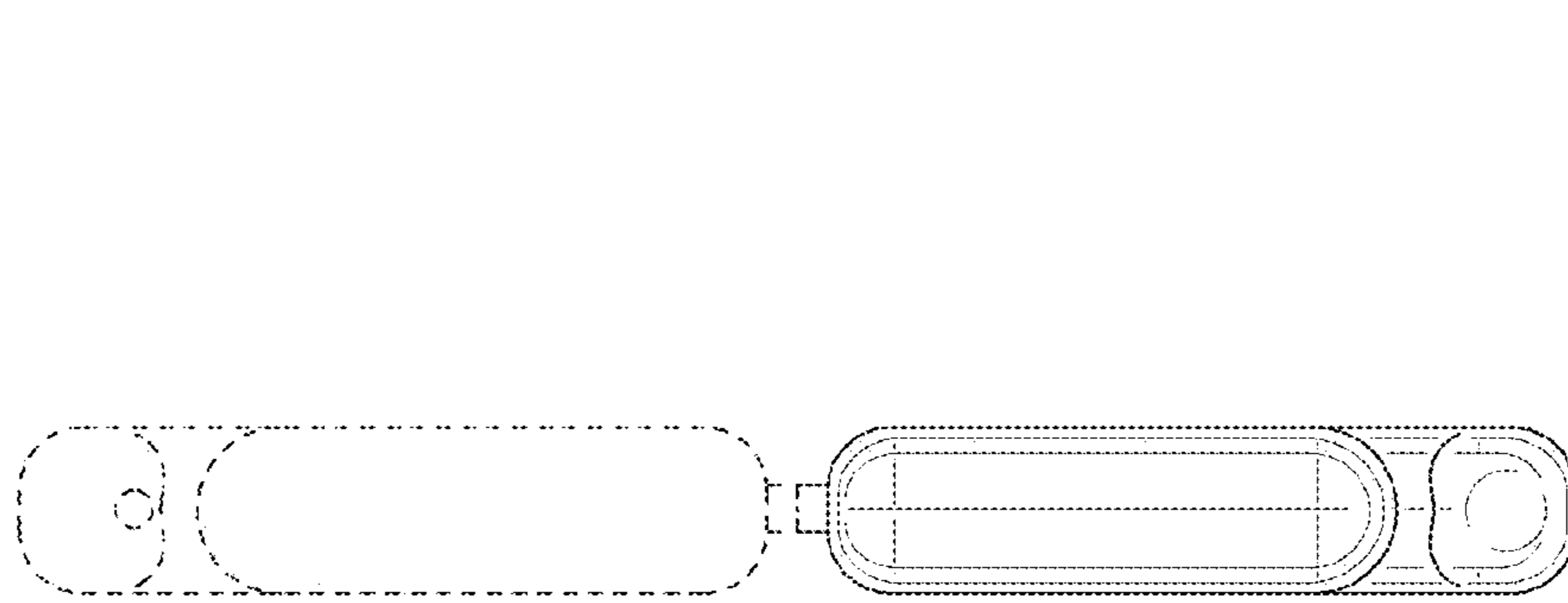


FIG.4



FIG.5