



US00D700248S

(12) **United States Design Patent**  
**Proulx et al.**

(10) **Patent No.:** **US D700,248 S**  
(45) **Date of Patent:** **\*\* Feb. 25, 2014**

- (54) **TOY CART**
- (71) Applicant: **MEGA Brands Inc.**, Montreal (CA)
- (72) Inventors: **Nicholas Proulx**, Varennes (CA);  
**Yannick Poirier**, Valleyfield (CA)
- (73) Assignee: **MEGA Brands Inc.**, Montreal, Quebec (CA)
- (\*\*) Term: **14 Years**
- (21) Appl. No.: **29/467,912**
- (22) Filed: **Sep. 25, 2013**
- (51) **LOC (10) Cl.** ..... **21-01**
- (52) **U.S. Cl.**  
USPC ..... **D21/425; D21/548**
- (58) **Field of Classification Search**  
USPC ..... D21/419, 424-427, 533, 534, 548-551;  
D12/129, 130, 133; D34/12;  
280/87.01, 87.021, 87.043, 47.17,  
280/47.25, 47.34, 47.38, 47.4, 204, 639,  
280/651  
See application file for complete search history.

- D172,975 S 9/1954 Kefauver et al.
- D208,715 S 9/1967 Ryan et al.
- D213,313 S 2/1969 Haskin et al.
- D214,313 S 6/1969 Gardner
- D215,317 S 9/1969 Hood
- D285,322 S 8/1986 Appel
- D285,949 S 9/1986 Thomson et al.
- D308,552 S 6/1990 Klawitter
- D308,556 S 6/1990 Klawitter
- D315,757 S 3/1991 Klitsner
- D315,931 S 4/1991 Berggreen
- D315,932 S 4/1991 Berggreen
- D316,576 S 4/1991 VanHuystee
- D317,484 S 6/1991 Berggreen
- D327,101 S 6/1992 Halter et al.
- D333,327 S 2/1993 Plater-Zyberk
- D345,768 S 4/1994 Bro et al.
- D351,631 S \* 10/1994 Thomsen et al. .... D21/534
- 5,383,808 A \* 1/1995 DuBois ..... 446/428

(Continued)

*Primary Examiner* — Cynthia M Chin  
(74) *Attorney, Agent, or Firm* — Plumsea Law Group, LLC

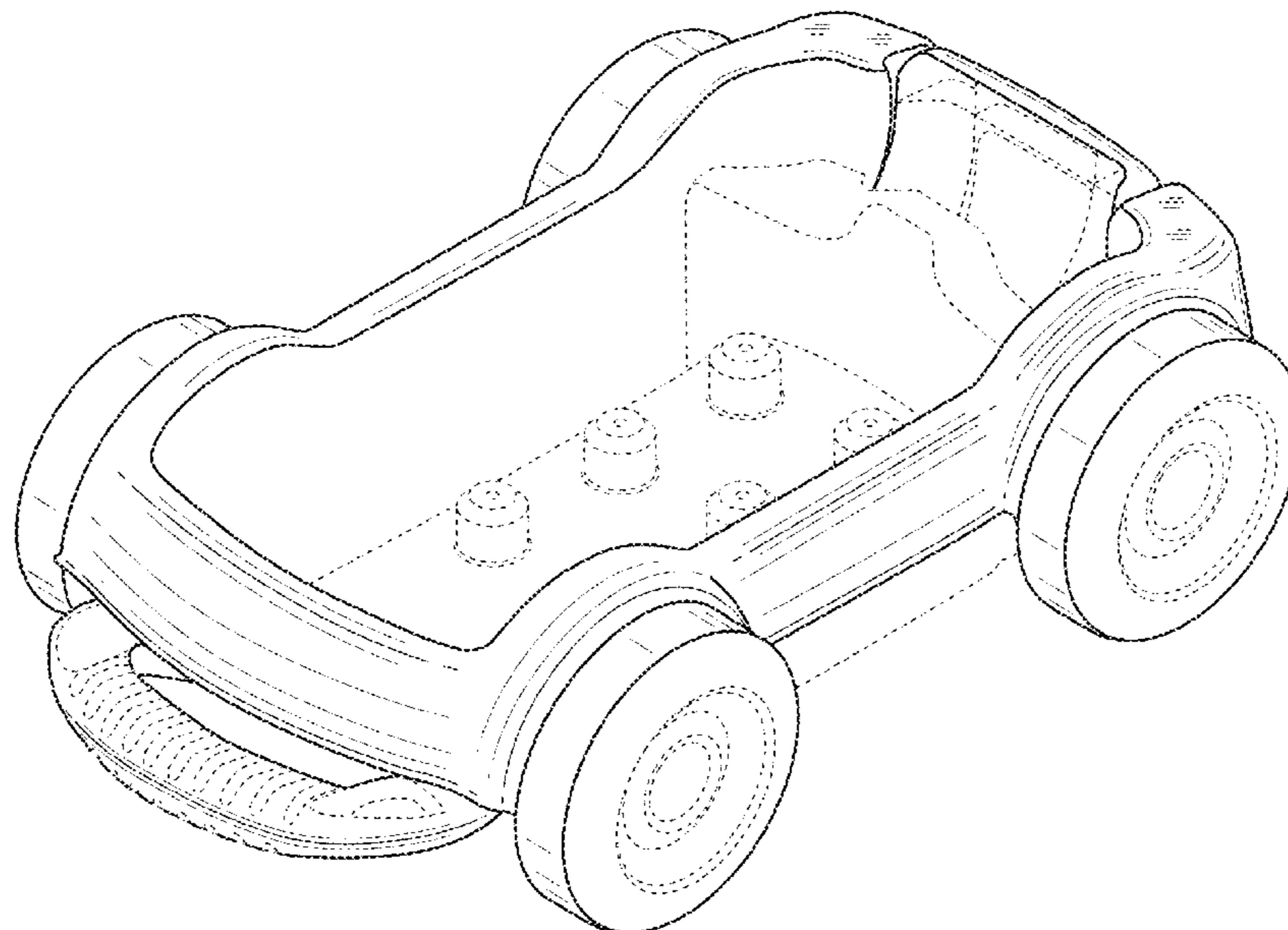
(57) **CLAIM**  
The ornamental design for a toy cart, as shown and described.

**DESCRIPTION**

FIG. 1 is a top perspective view of a toy cart showing the new design;  
FIG. 2 is a front side elevational view of the toy cart of FIG. 1;  
FIG. 3 is a rear side elevational view of the toy cart of FIG. 1;  
FIG. 4 is a right side elevational view of the toy cart of FIG. 1;  
FIG. 5 is a left side elevational view of the toy cart of FIG. 1;  
FIG. 6 is a top plan view of the toy cart of FIG. 1; and,  
FIG. 7 is a bottom plan view of the toy cart of FIG. 1.  
The broken lines and unshaded areas adjacent the broken lines form no part of the claimed design.

**1 Claim, 7 Drawing Sheets**

- (56) **References Cited**  
U.S. PATENT DOCUMENTS
- D58,030 S 5/1921 Kern
- D93,674 S 10/1934 Rideout
- D94,975 S 3/1935 Kraeft
- D95,117 S 4/1935 Blackmore
- D96,296 S 7/1935 Blackmore
- D104,678 S 5/1937 Eck
- D108,232 S 2/1938 Garton
- D110,874 S 8/1938 Morgan
- D112,877 S 1/1939 Ewald
- D147,645 S 10/1947 Florian
- D154,360 S 7/1949 Balmer, Jr.



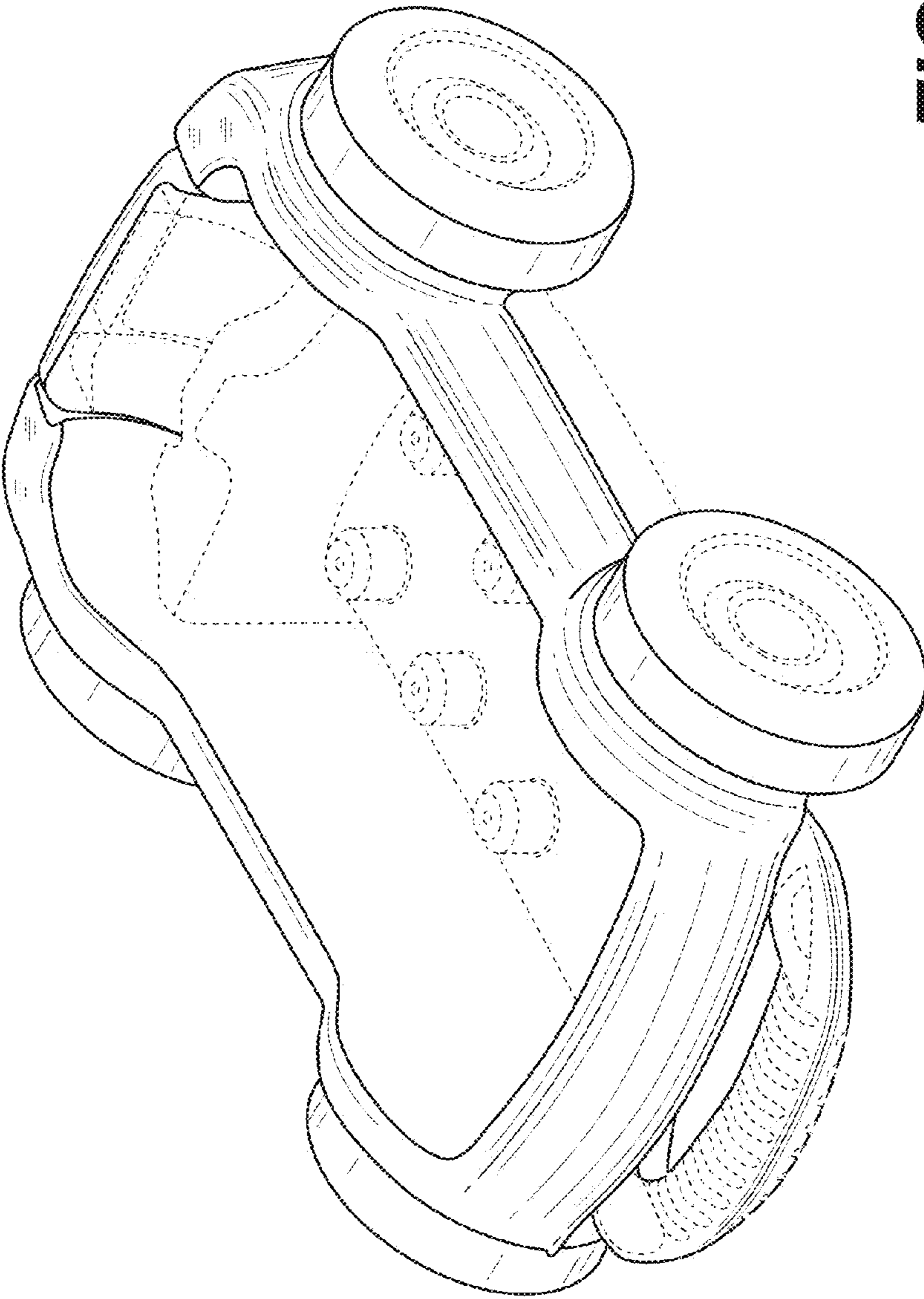
(56)

References Cited

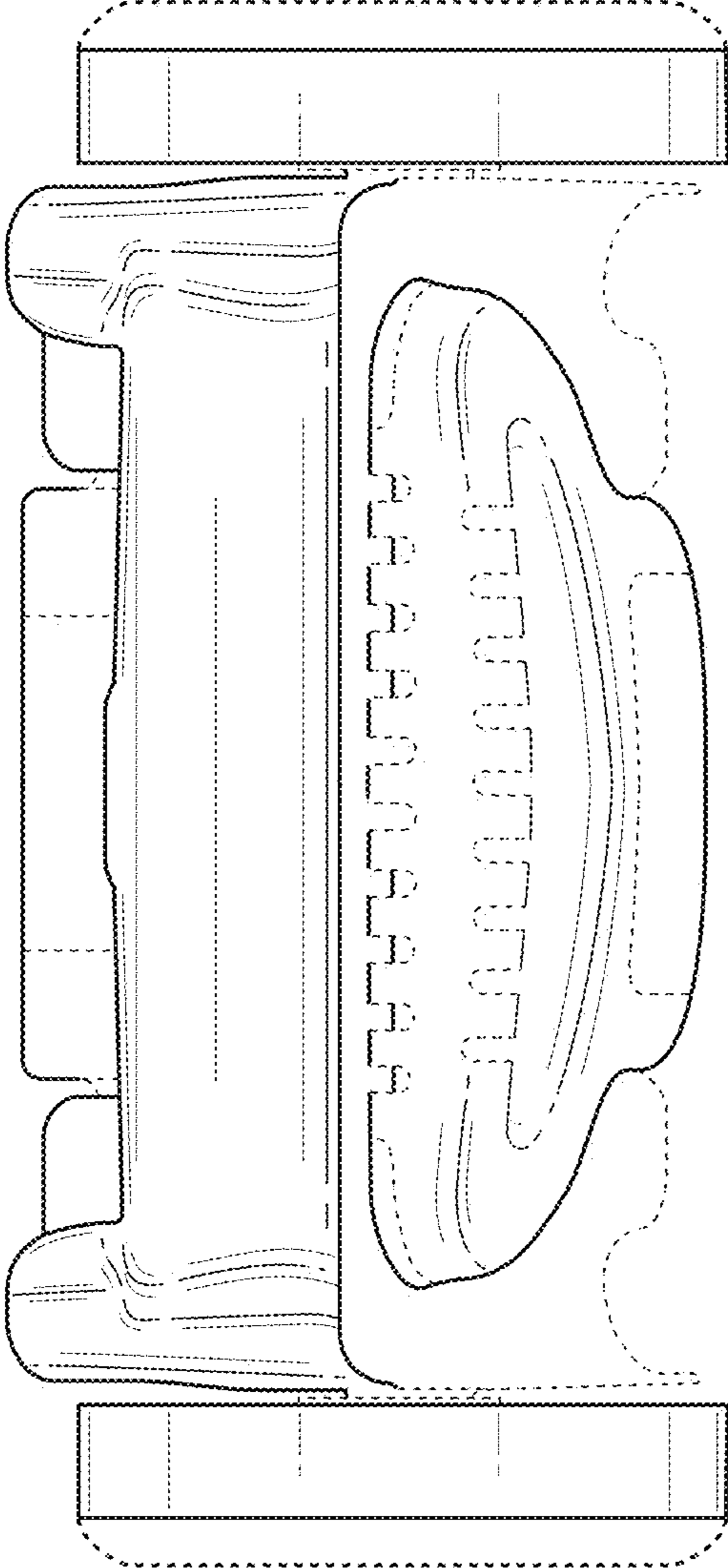
U.S. PATENT DOCUMENTS

5,474,483	A *	12/1995	Sun	446/71	6,536,796	B1 *	3/2003	Solomon	280/651
D369,629	S	5/1996	Pasin et al.		D475,000	S *	5/2003	Wu	D12/133
5,538,267	A	7/1996	Pasin et al.		D475,325	S *	6/2003	Wu	D12/133
D382,309	S	8/1997	Brown et al.		D483,419	S	12/2003	Chiappettea et al.	
D389,877	S	1/1998	Pasin		6,871,863	B2	3/2005	Michelau	
D393,888	S	4/1998	Callif		6,932,365	B2	8/2005	Chiappetta et al.	
D397,166	S	8/1998	Lai		D547,391	S	7/2007	Johnson et al.	
D403,026	S	12/1998	Pasin		D547,393	S *	7/2007	Johnson et al.	D21/433
D407,352	S *	3/1999	Hu	D12/133	D562,412	S	2/2008	Tremblay et al.	
D416,590	S	11/1999	Petersen et al.		D564,039	S	3/2008	Rodriguez et al.	
D432,183	S	10/2000	Hulst		D564,040	S *	3/2008	Kurth et al.	D21/433
D432,185	S *	10/2000	Hulst	D21/433	D566,200	S	4/2008	Seckel et al.	
D446,827	S	8/2001	You et al.		D579,061	S	10/2008	Brockmeyer	
D451,052	S *	11/2001	Lu	D12/130	D611,998	S	3/2010	Pucci	
6,318,740	B1	11/2001	Nappo		D612,302	S	3/2010	Cheng	
D455,463	S	4/2002	Martin et al.		D631,921	S	2/2011	Simko	
D458,314	S	6/2002	Allemeier		D632,344	S *	2/2011	Hong	D21/433
D458,648	S	6/2002	Chiappettea et al.		D651,660	S	1/2012	Seckel et al.	
D462,097	S	8/2002	Jacquard		D652,084	S	1/2012	Herlitz et al.	
6,446,981	B1	9/2002	Wise et al.		D658,725	S	5/2012	Clark	
6,499,750	B1	12/2002	Michelau		D659,769	S	5/2012	Clark	
					D671,174	S	11/2012	Smokowski et al.	
					D678,962	S	3/2013	Tsuchiya	
					8,523,193	B1	9/2013	Mucaro et al.	

\* cited by examiner



**FIG. 1**



**FIG. 2**

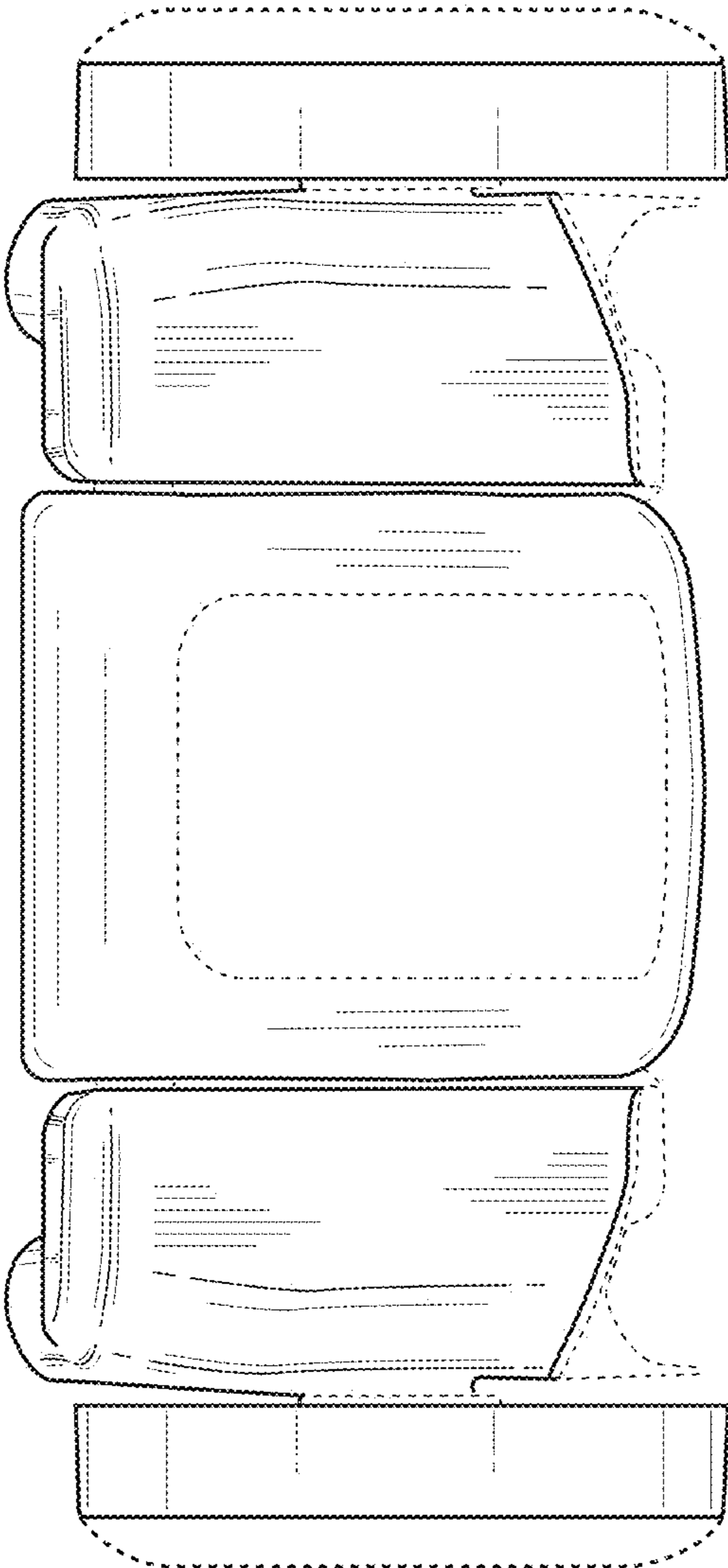
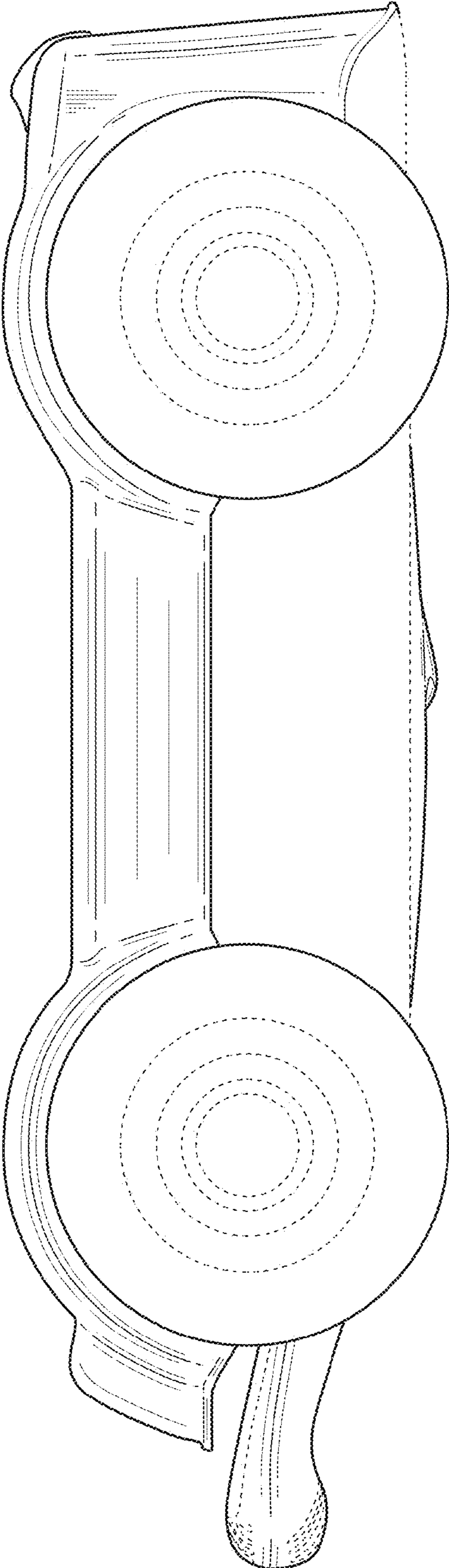
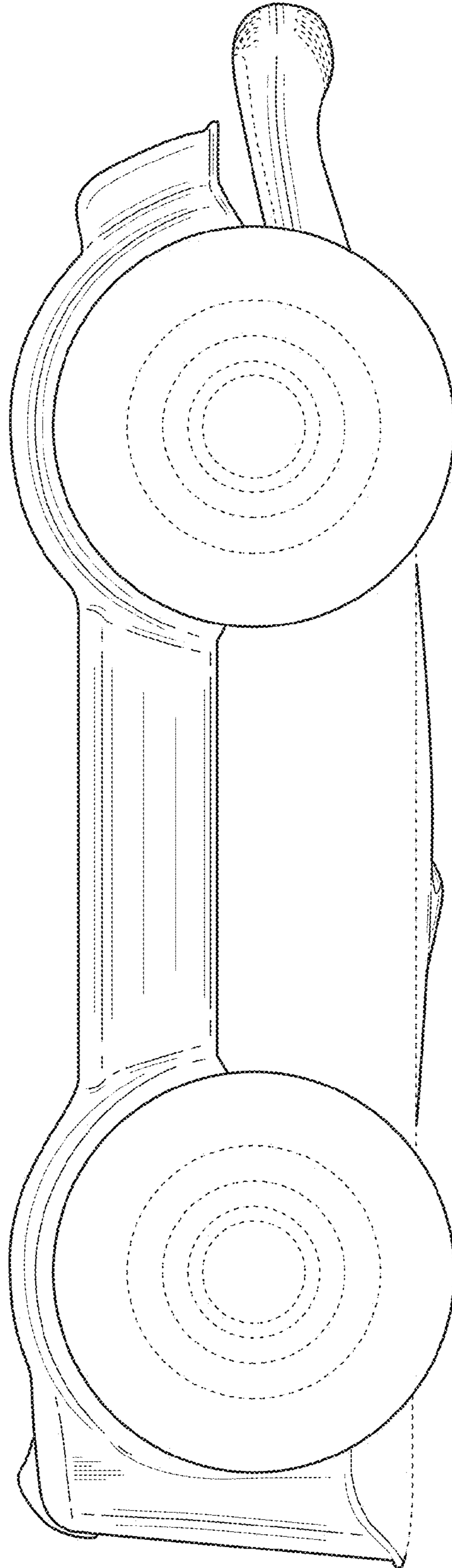


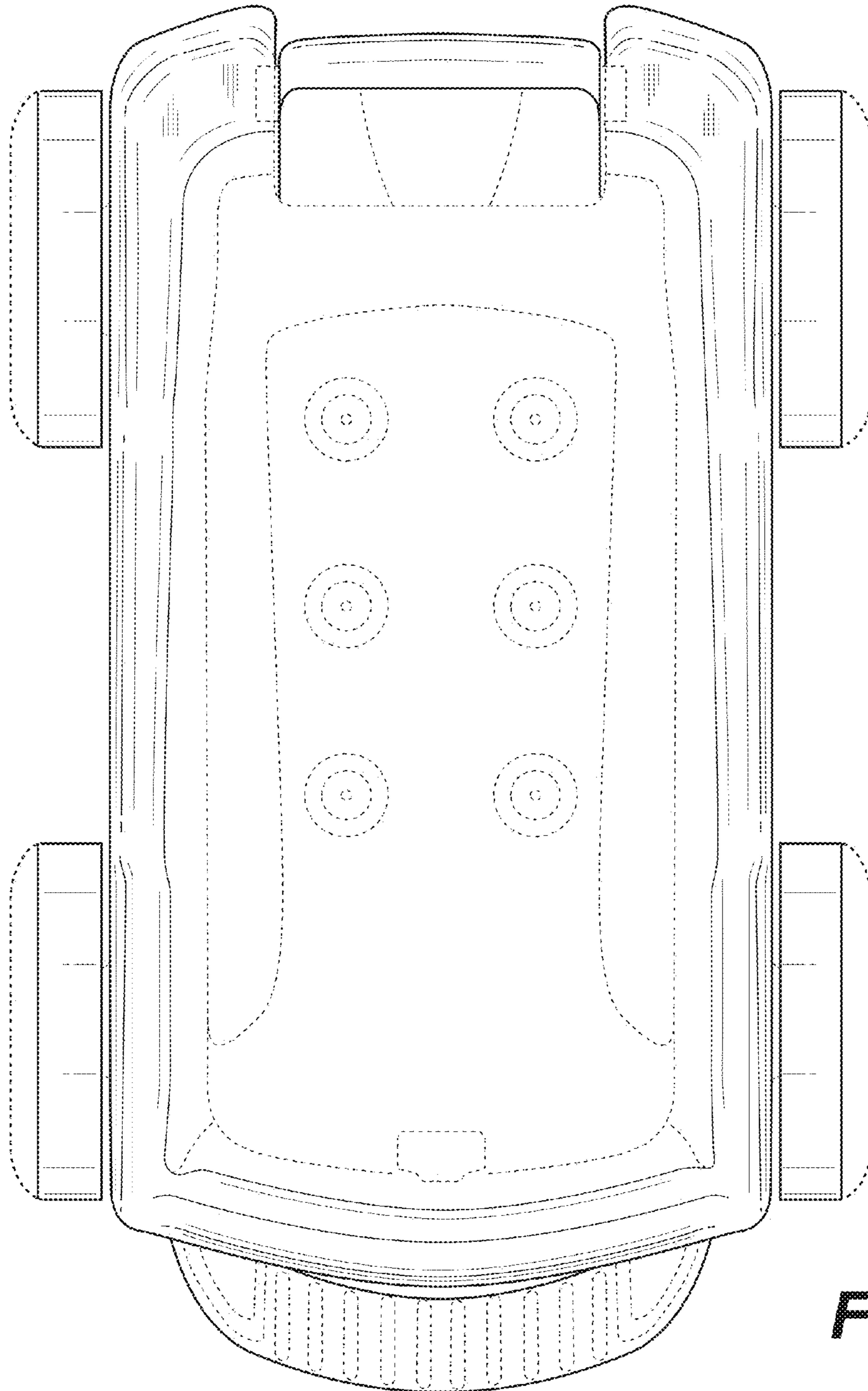
FIG. 3



**FIG. 4**

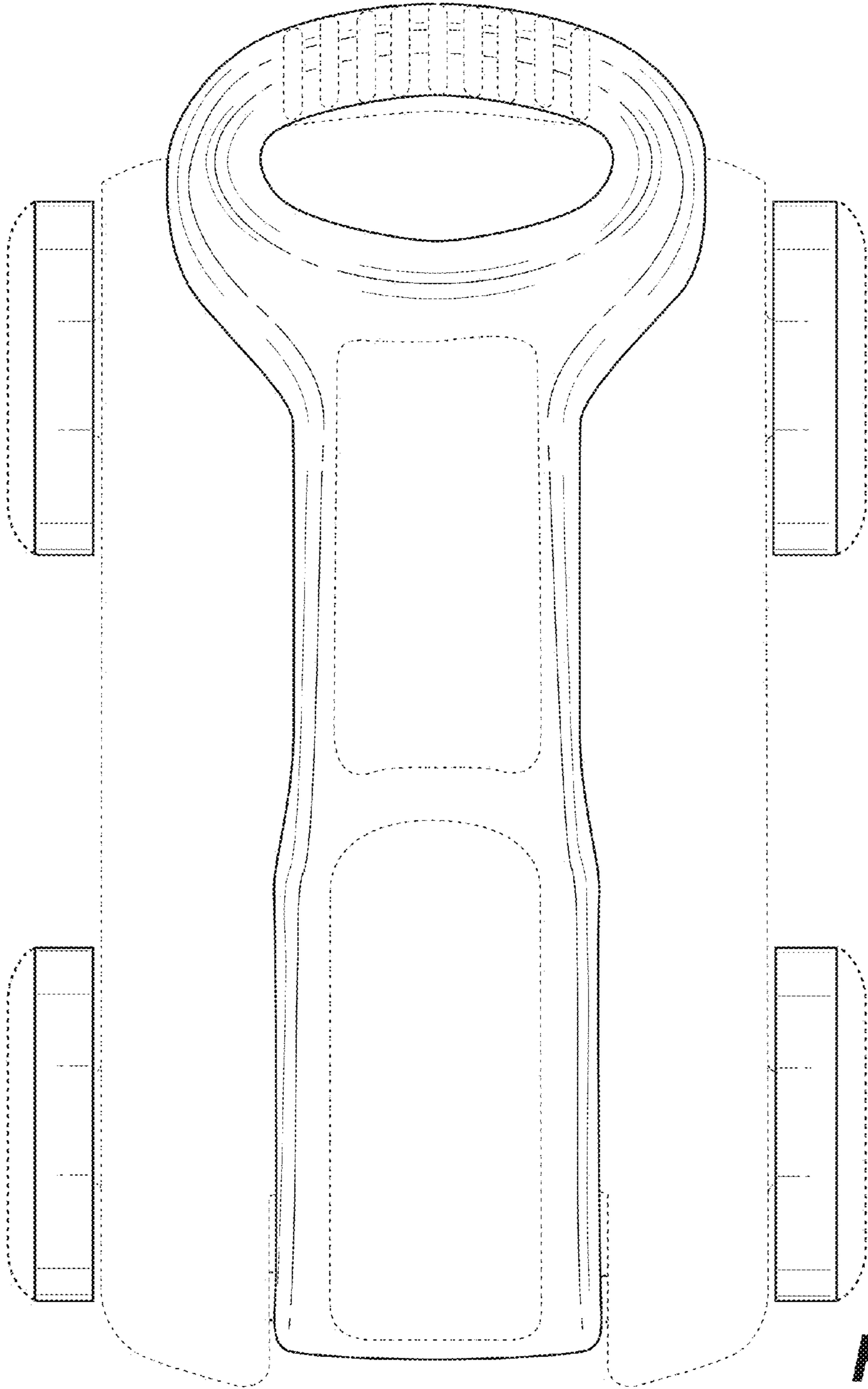


**FIG. 5**



**FIG. 6**





**FIG. 7**