



US00D700246S

(12) **United States Design Patent**
Jacobs et al.

(10) **Patent No.:** **US D700,246 S**

(45) **Date of Patent:** **** Feb. 25, 2014**

(54) **ELECTRONIC HOUSING**

(71) Applicant: **Microsoft Corporation**, Redmond, WA (US)

(72) Inventors: **Joel B. Jacobs**, Seattle, WA (US); **Scott Dallmeyer**, Seattle, WA (US); **Carl J. Ledbetter**, Mercer Island, WA (US); **Jonathan R. Harris**, Redmond, WA (US); **John Kenichiro Ikeda**, Seattle, WA (US)

(73) Assignee: **Microsoft Corporation**, Redmond, WA (US)

(**) Term: **14 Years**

(21) Appl. No.: **29/447,078**

(22) Filed: **Feb. 28, 2013**

(51) **LOC (10) Cl.** **21-01**

(52) **U.S. Cl.**
USPC **D21/332**; D14/496

(58) **Field of Classification Search**
USPC D14/496, 401, 435, 474, 483, 217, 137, D14/138, 160, 168, 356, 203.1–203.8, 507; 345/156, 169, 173–179, 905; 715/727–729, 864; 710/1, 5, 8; 713/1, 713/600; 455/1.1, 1.7, 73, 344–347, 93, 95, 455/3.01–3.06, 550.1, 573.1; 370/342–344; 369/1, 2, 6–12; 463/43–47, 29–35; 273/148 B; D21/324–333
See application file for complete search history.

(56) **References Cited**

U.S. PATENT DOCUMENTS

5,914,707 A * 6/1999 Kono 345/173
D435,272 S * 12/2000 Swanson et al. D21/328
D452,282 S 12/2001 Stewart et al.
6,565,444 B2 * 5/2003 Nagata et al. 463/46
6,930,600 B1 * 8/2005 Hsieh 340/539.1
6,941,181 B1 * 9/2005 Mathurin 700/94

7,090,582 B2 * 8/2006 Danieli et al. 463/35
D557,680 S * 12/2007 Corsini D14/168
D568,276 S 5/2008 Ikeda et al.
D576,686 S * 9/2008 Ashida et al. D21/332
D606,094 S * 12/2009 Kimura D14/496
D647,918 S 11/2011 Ledbetter et al.
D657,788 S 4/2012 Ledbetter et al.
D664,993 S * 8/2012 Ledbetter et al. D14/496
D665,424 S 8/2012 Ledbetter et al.
D666,680 S * 9/2012 Mercier et al. D21/333
D680,174 S * 4/2013 Mercier et al. D21/333

OTHER PUBLICATIONS

Nintendo NES [online], [retrieved on May 14, 2013]. Retrieved from internet, <http://gamesdbase.com/system-nintendo_nes.aspx/>. Way Back Machine [online], [retrieved Jan. 16, 2013]. Retrieved from internet, <http://web.archive.org/web/20130116120917/http://www.klipsch.com/gallery-g17-air>.

* cited by examiner

Primary Examiner — Prabhakar Deshmukh

(74) *Attorney, Agent, or Firm* — Banner & Witcoff, Ltd.

(57) **CLAIM**

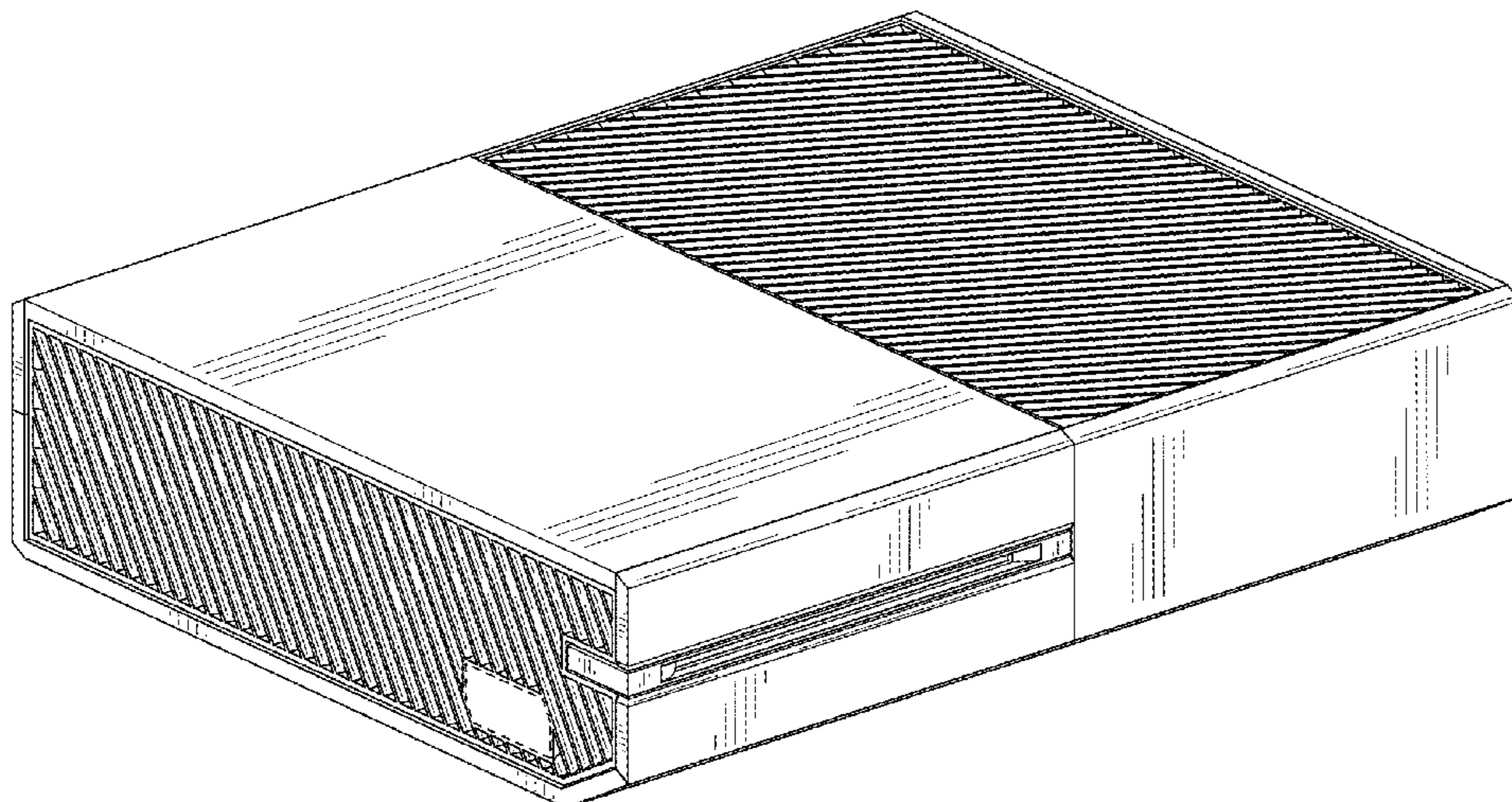
The ornamental design for an electronic housing, as shown and described.

DESCRIPTION

FIG. 1 is a front-left perspective view of an electronic housing showing our new design; FIG. 2 is a front-right perspective view thereof; FIG. 3 is a front view thereof; FIG. 4 is a rear view thereof; FIG. 5 is a left side view thereof; FIG. 6 is a right side view thereof; FIG. 7 is a top view thereof; and, FIG. 8 is a bottom view thereof.

The broken line showing of the remainder of the electronic housing and the unshaded regions therein in FIGS. 1-8 is for environmental purposes only and forms no part of the claimed design.

1 Claim, 6 Drawing Sheets



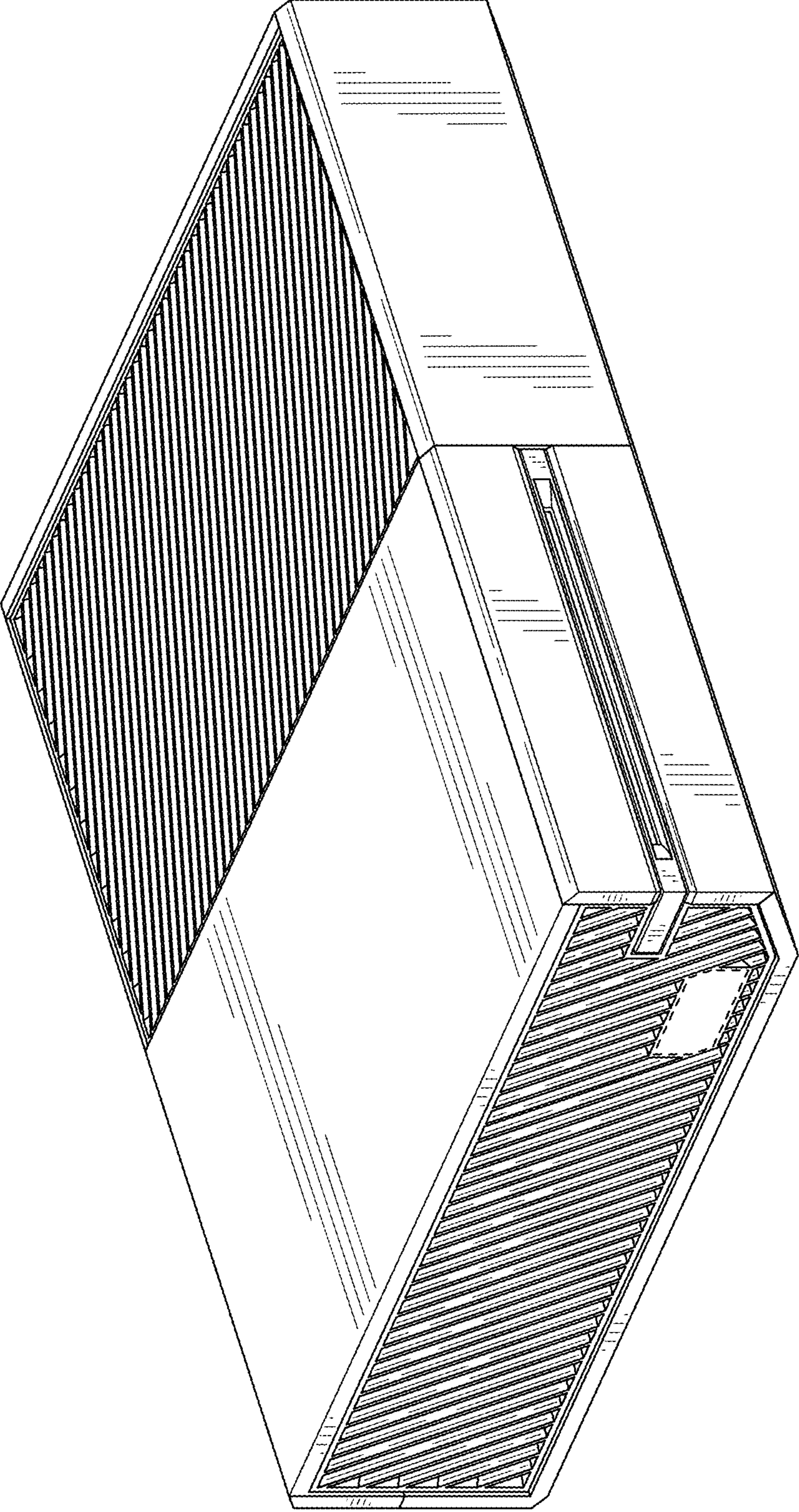


FIG. 1

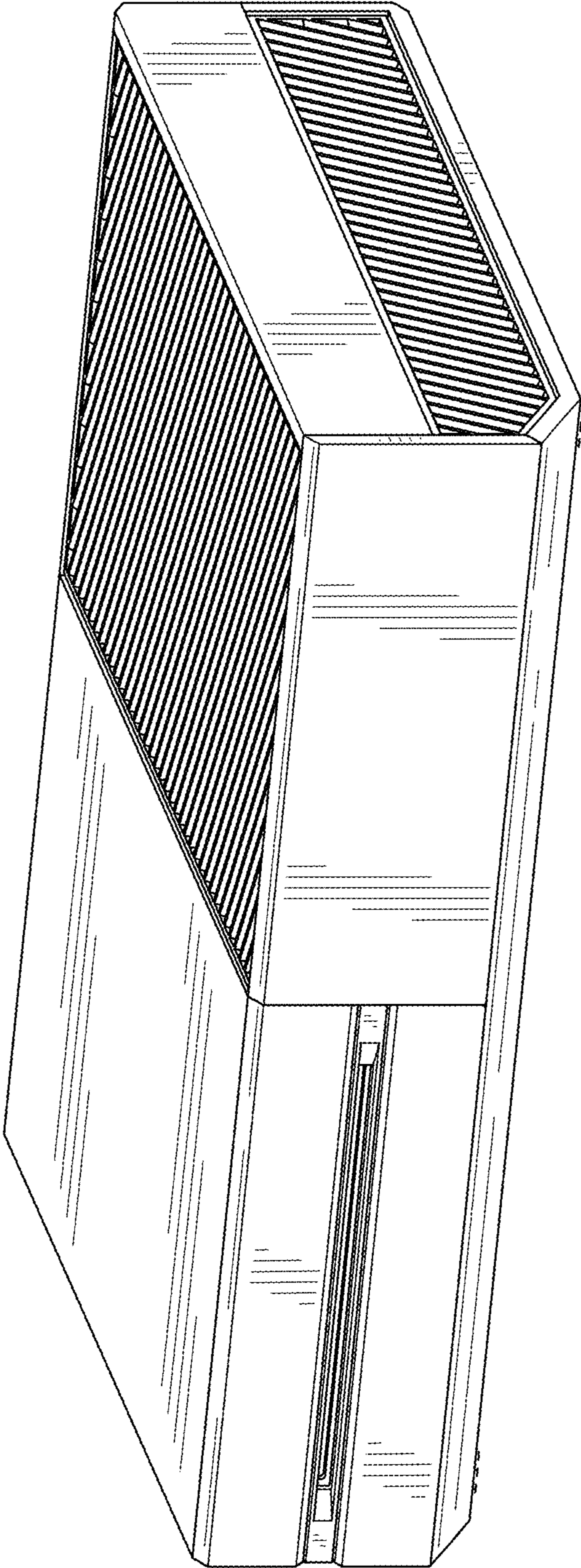


FIG. 2

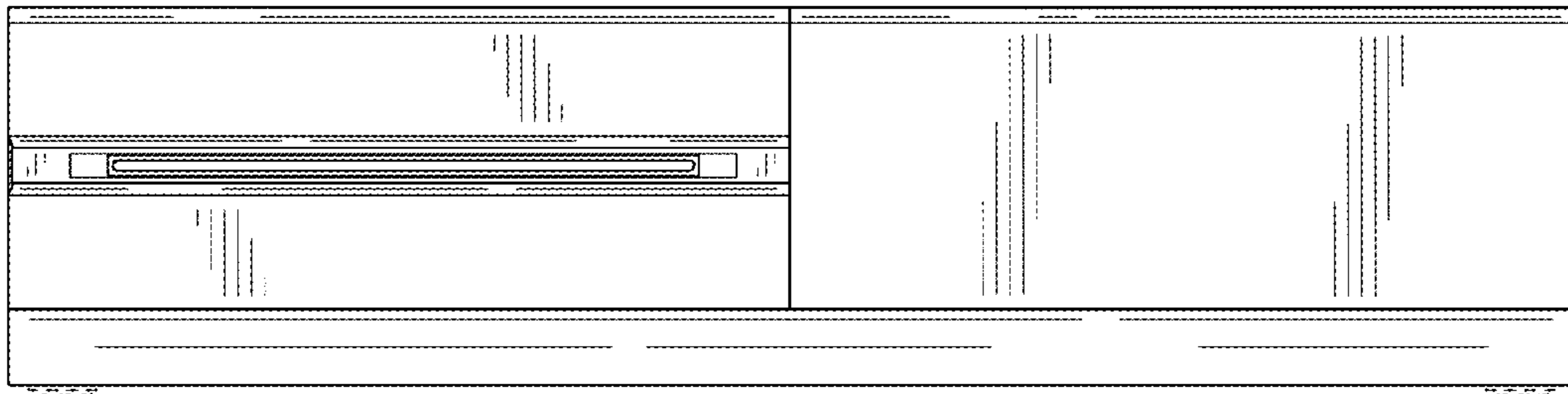


FIG. 3

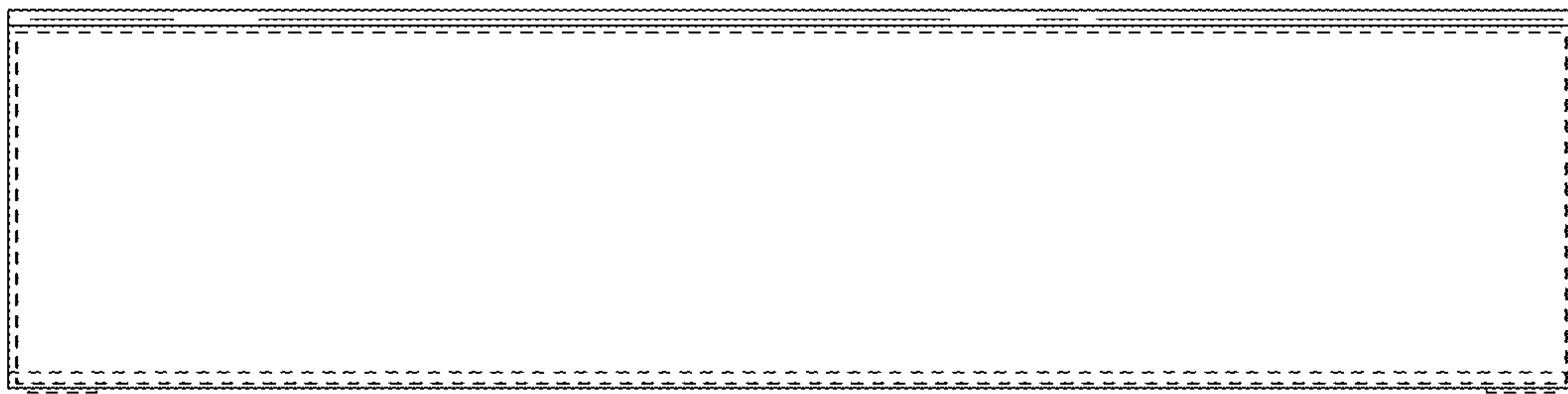


FIG. 4

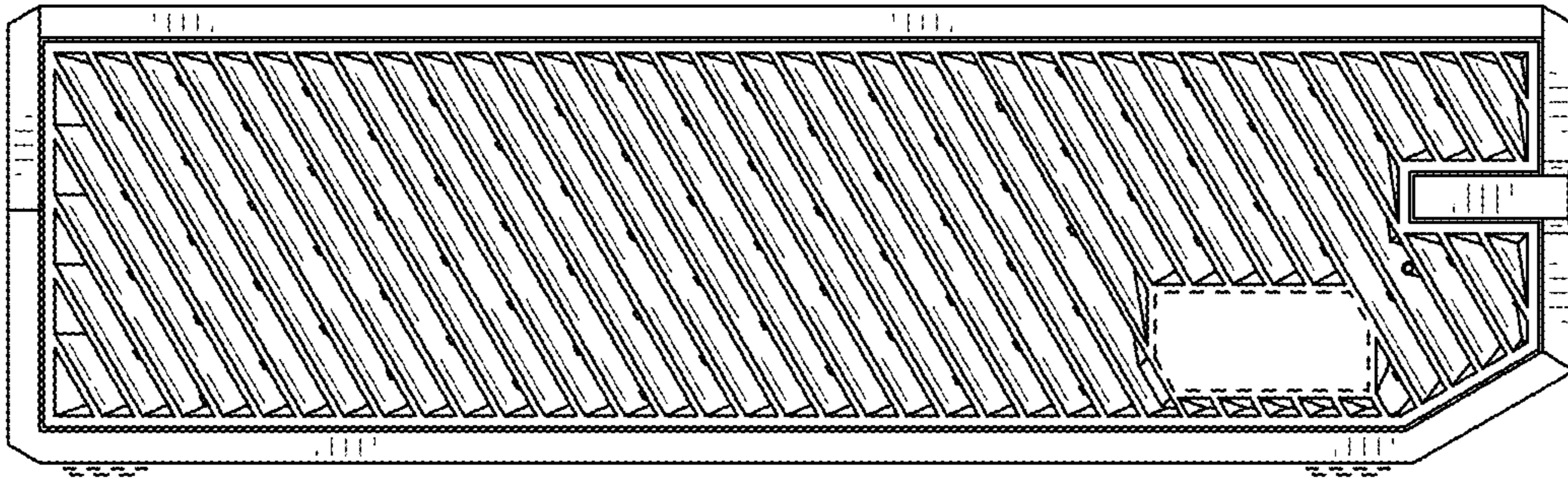


FIG. 5

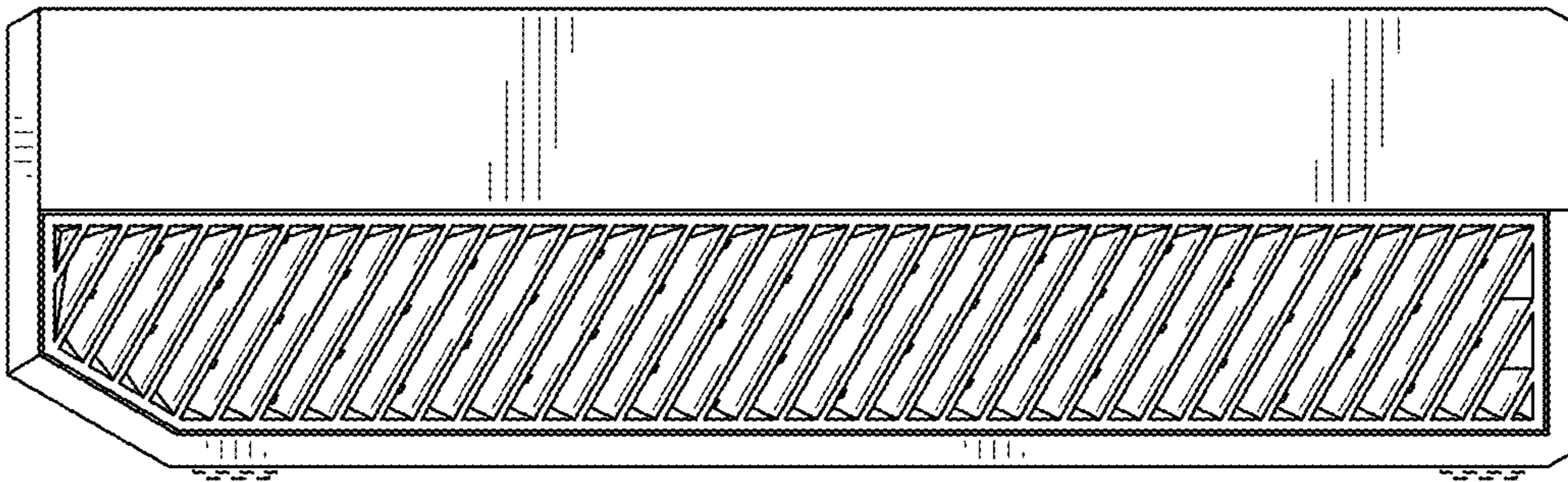


FIG. 6

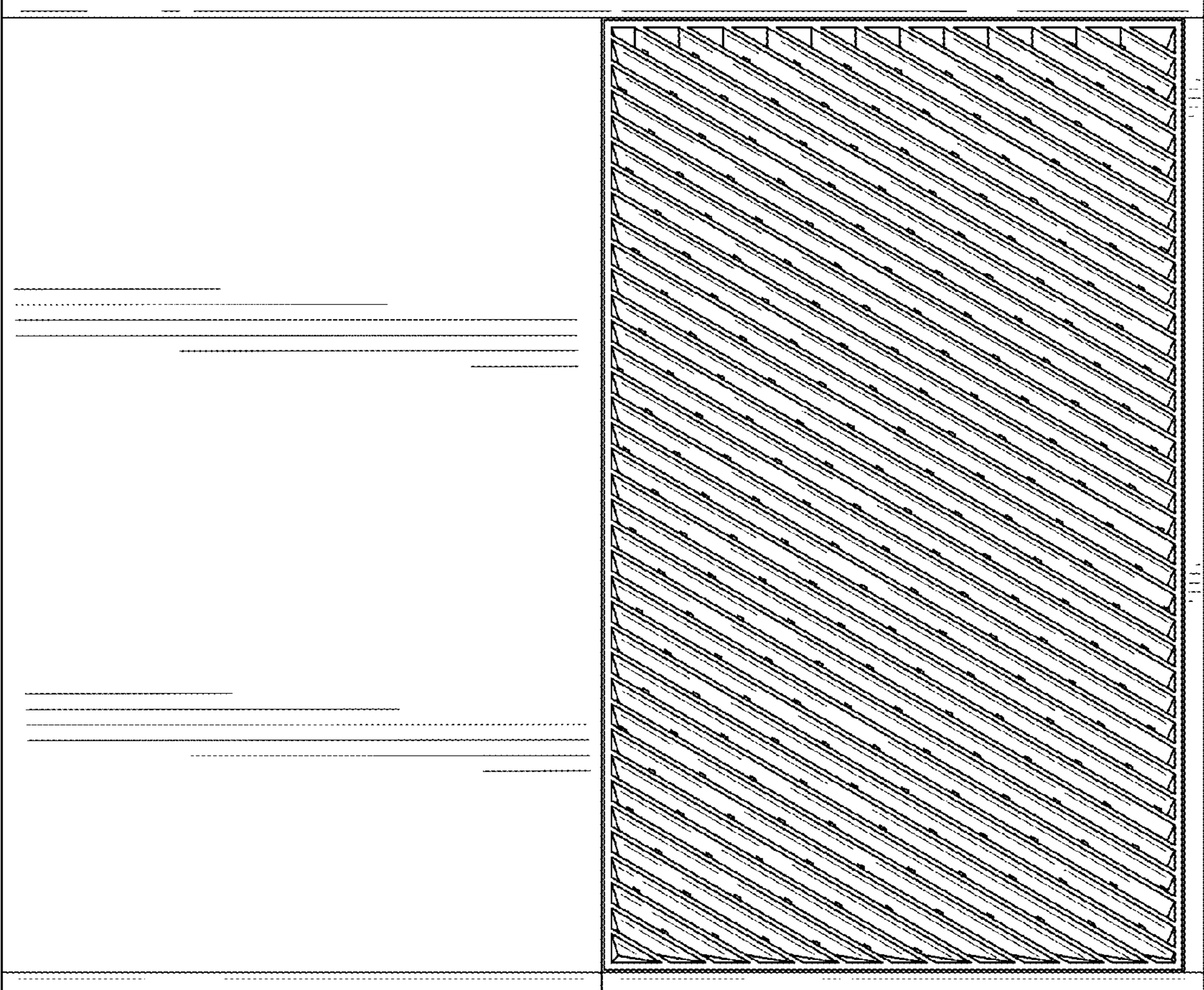


FIG. 7



FIG. 8