



US00D700245S

(12) **United States Design Patent**  
**Overbay**

(10) **Patent No.:** **US D700,245 S**

(45) **Date of Patent:** **\*\* Feb. 25, 2014**

(54) **ROPING DUMMY**

(76) **Inventor:** **Thomas Neil Overbay**, Tome, NM (US)

(\*\*) **Term:** **14 Years**

(21) **Appl. No.:** **29/420,906**

(22) **Filed:** **May 14, 2012**

(51) **LOC (10) Cl.** ..... **21-01**

(52) **U.S. Cl.**

USPC ..... **D21/304**; D21/610

(58) **Field of Classification Search**

USPC ..... D11/158; D21/302, 304, 576, 585, 610,  
D21/827; 273/339, 348, 359, 440; 446/72,  
446/97-98, 268-269; 482/35-36

See application file for complete search history.

(56) **References Cited**

**U.S. PATENT DOCUMENTS**

990,154 A	4/1911	Mitchell
2,846,810 A	8/1958	Ory
D194,914 S	4/1963	Markham
D230,282 S	2/1974	Johnson
D234,354 S	2/1975	Kelton
D264,483 S	5/1982	Raymond

4,640,515 A	2/1987	Rhine	
4,662,642 A	5/1987	Archibald et al.	
4,981,302 A *	1/1991	Narramore	273/339
5,568,926 A *	10/1996	Kaptein	273/359
6,736,399 B1 *	5/2004	Copenhaver	273/339
D542,357 S	5/2007	Kirchenschlager	
D574,897 S	8/2008	Boyle	

\* cited by examiner

*Primary Examiner* — Sandra Morris

(74) *Attorney, Agent, or Firm* — QuickPatents; Kevin Prince

(57) **CLAIM**

I claim the ornamental design for a roping dummy, as shown and described.

**DESCRIPTION**

FIG. 1 is a perspective view of a roping dummy, showing my new design;

FIG. 2 is a front elevational view thereof;

FIG. 3 is a rear elevational view thereof;

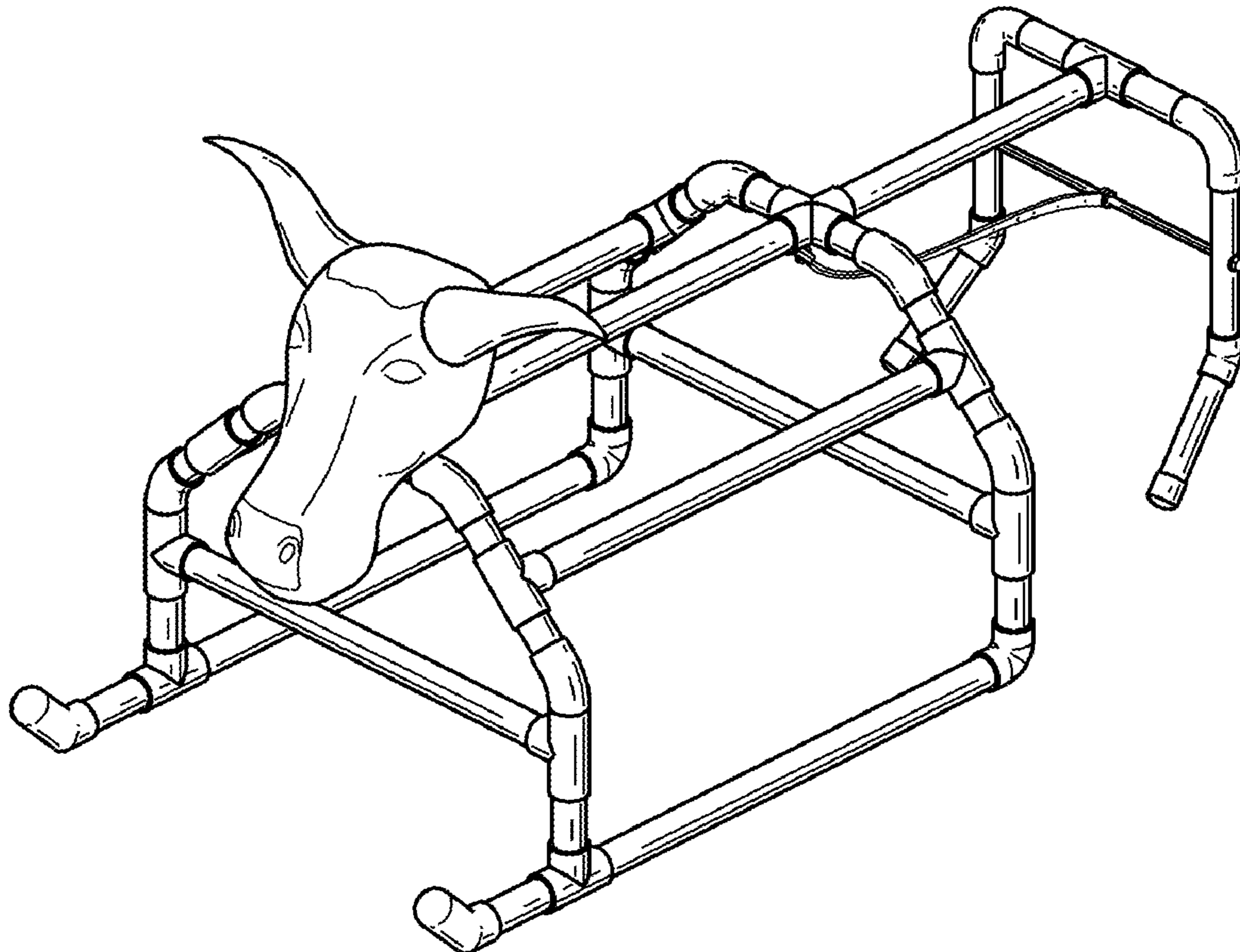
FIG. 4 is a top plan view thereof;

FIG. 5 is a bottom plan view thereof;

FIG. 6 is a left-side elevational view thereof; and,

FIG. 7 is a right-side elevational view thereof.

**1 Claim, 3 Drawing Sheets**



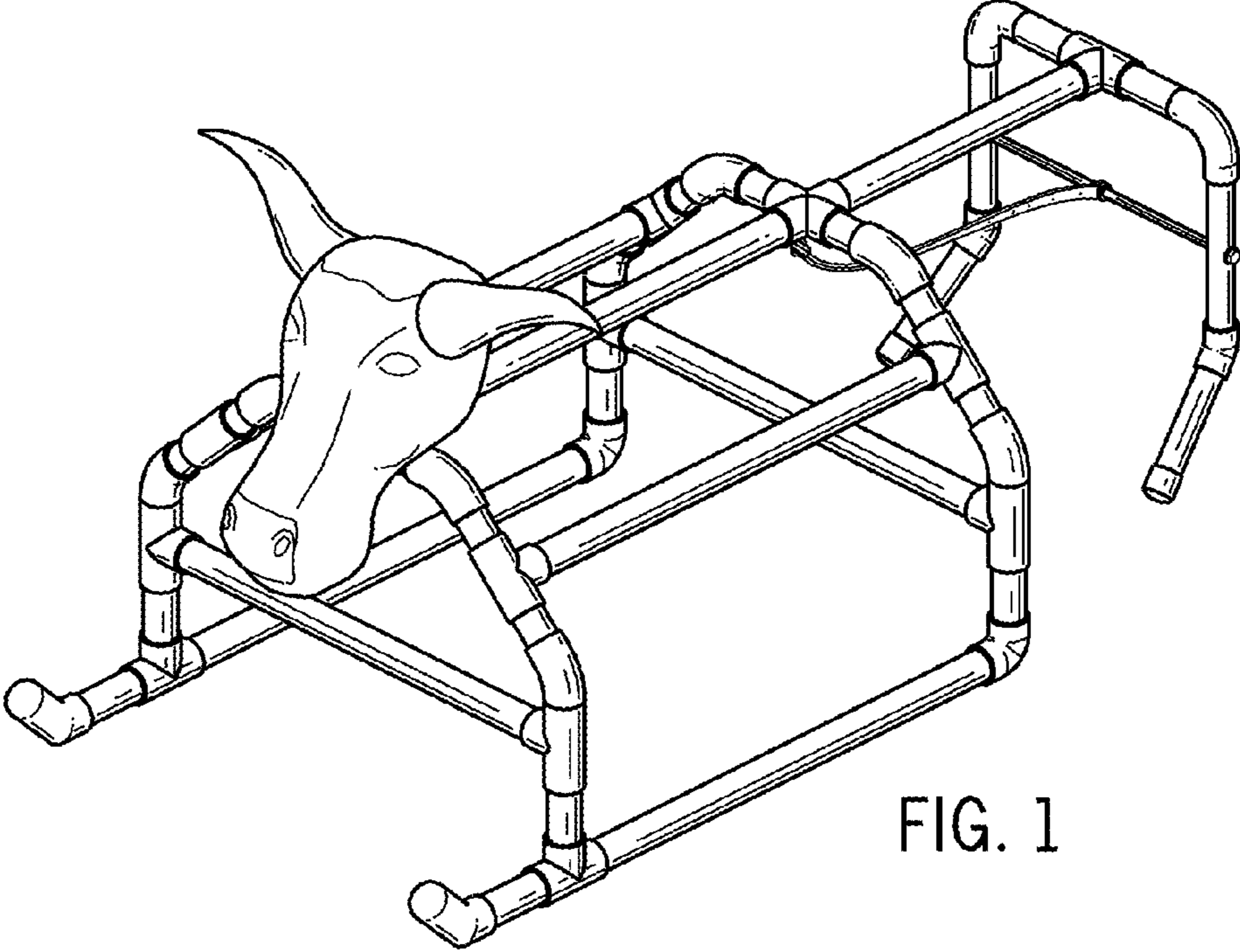


FIG. 1

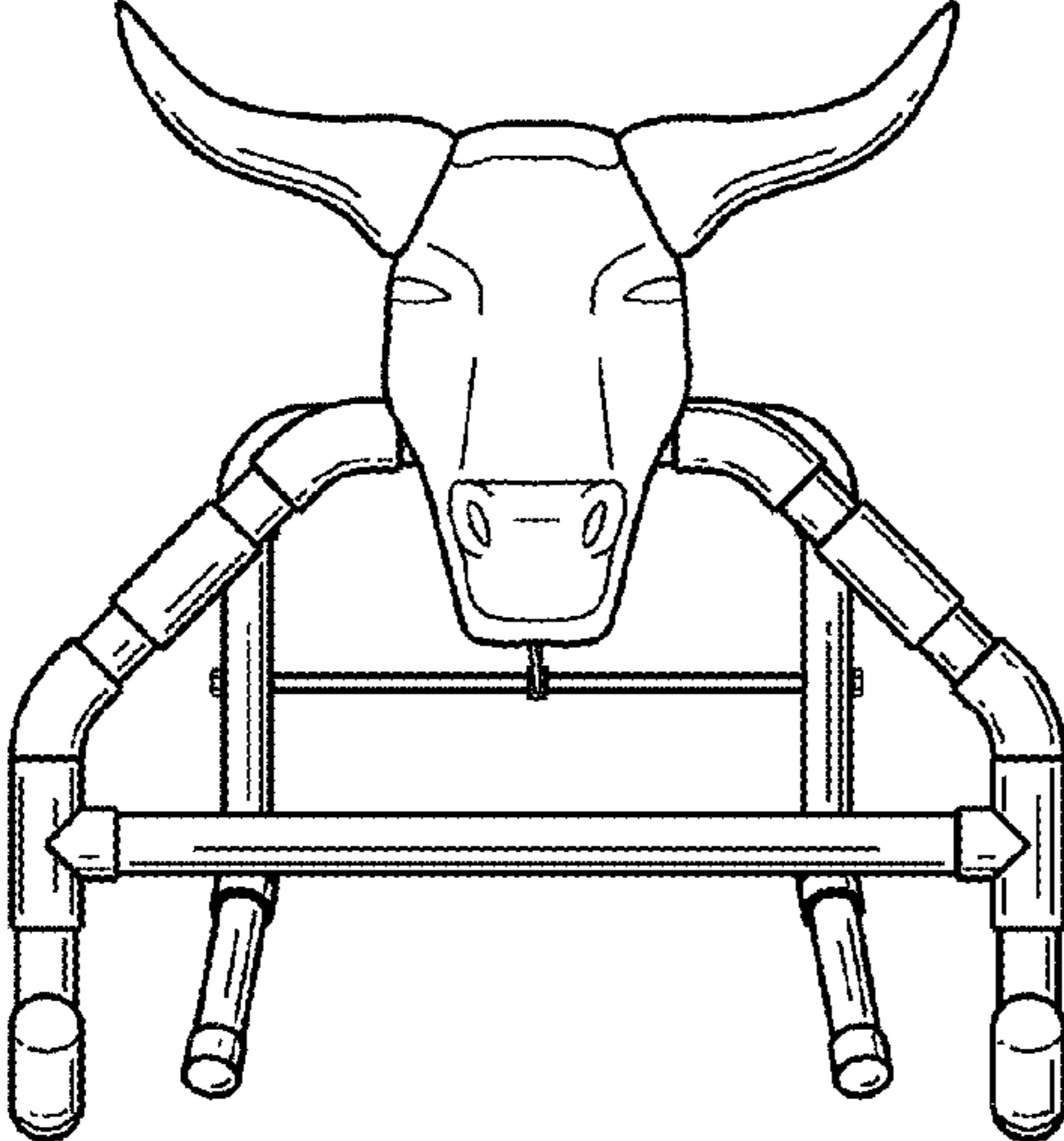


FIG. 2

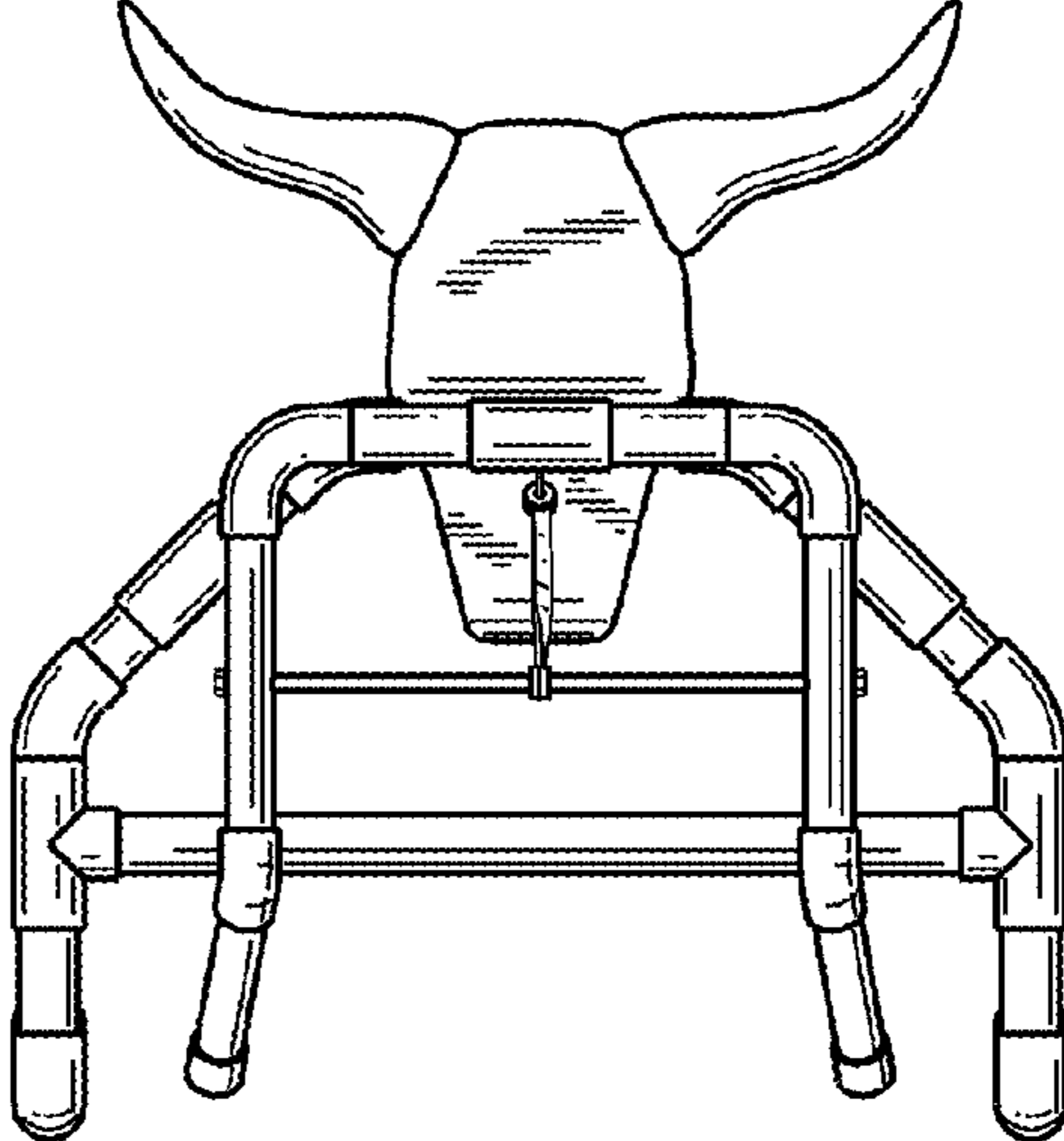


FIG. 3

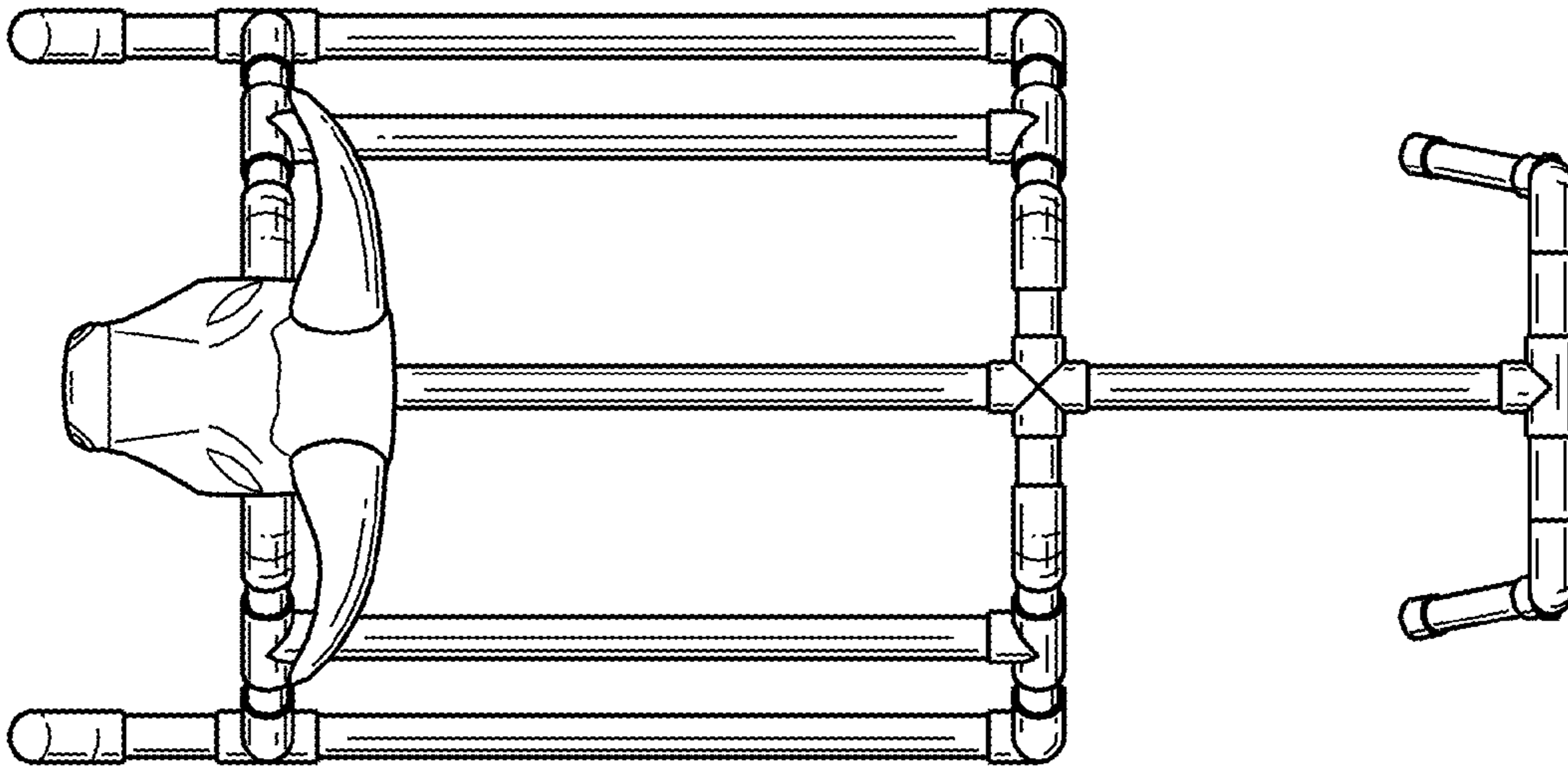


FIG. 4

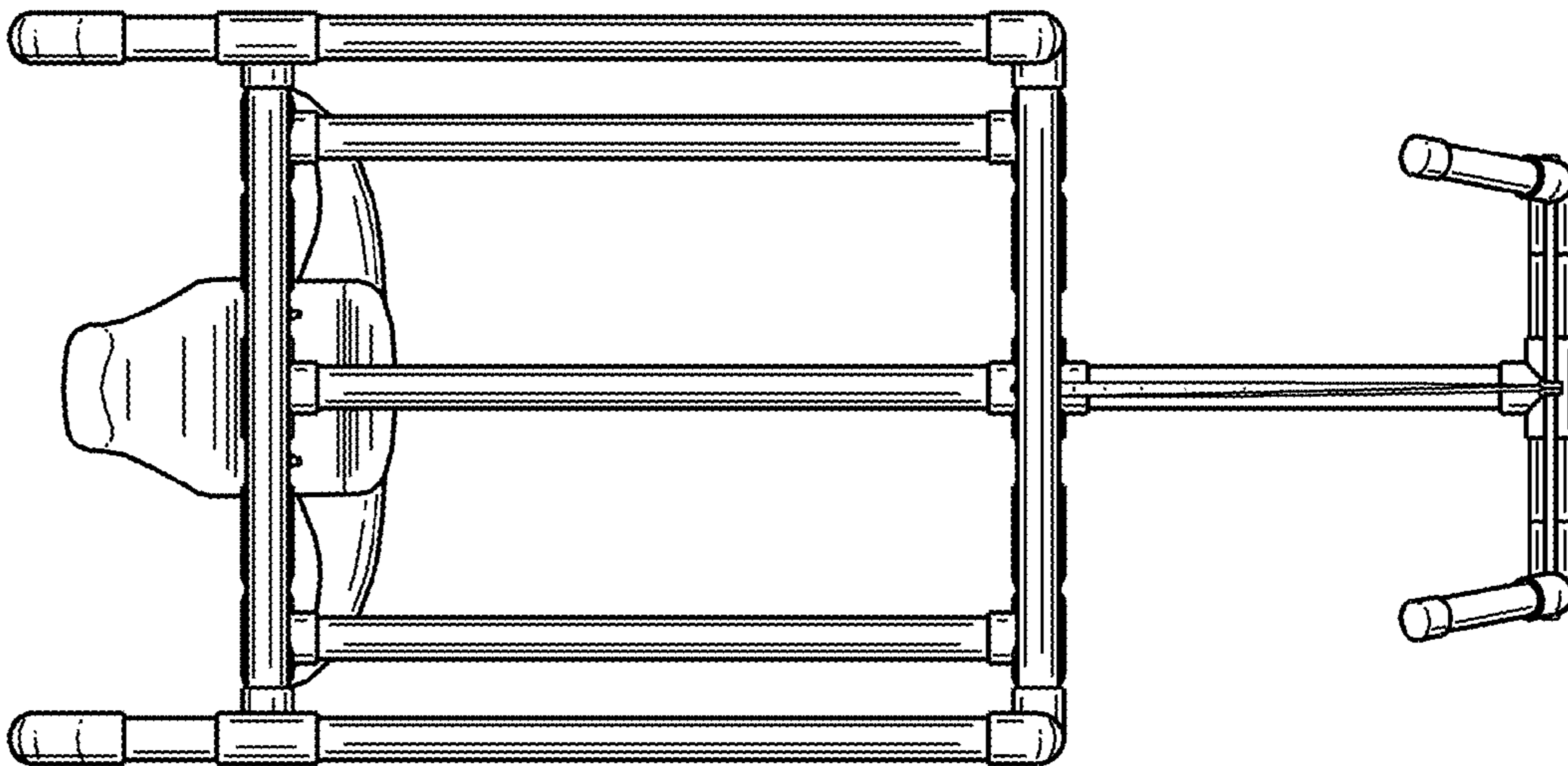


FIG. 5

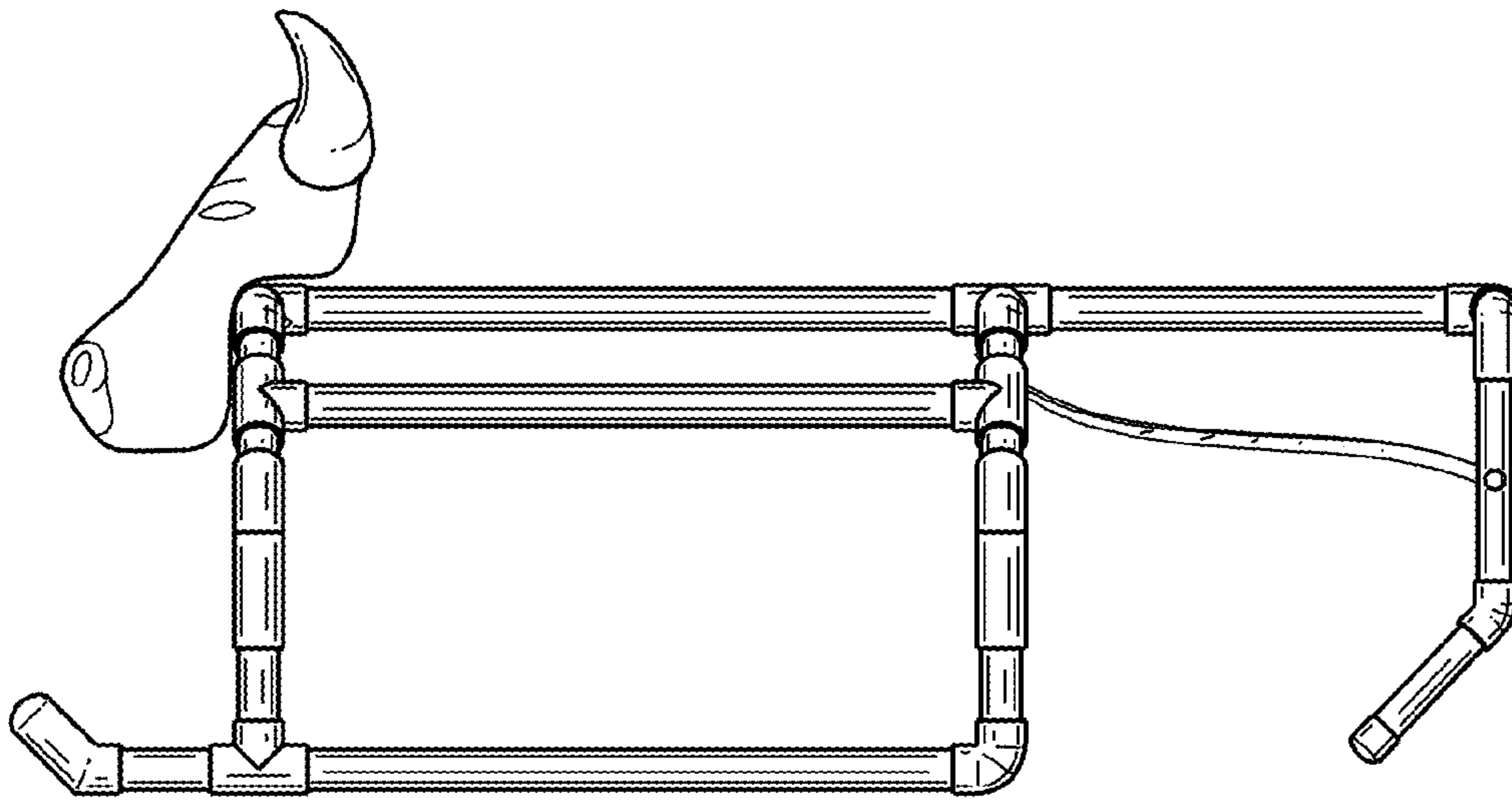


FIG. 6

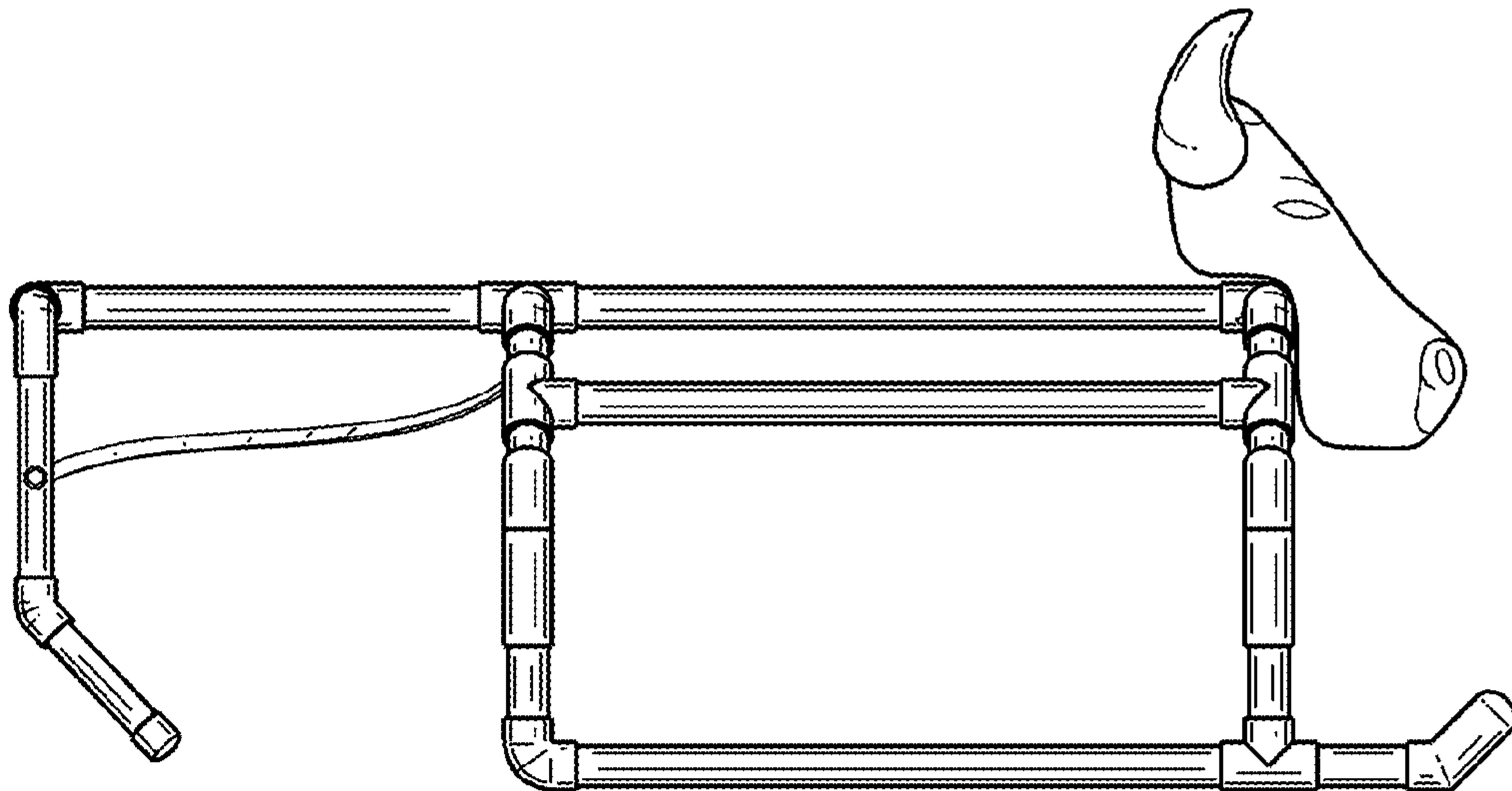


FIG. 7