



US00D700244S

(12) **United States Design Patent**
Lin

(10) **Patent No.:** **US D700,244 S**

(45) **Date of Patent:** **** Feb. 25, 2014**

(54) **SIGNBOARD CONNECTOR**

2012/0144625 A1* 6/2012 Lin 16/87.8
2012/0145656 A1* 6/2012 Lin 211/46

(76) Inventor: **Ruei-Hsing Lin**, New Taipei (TW)

* cited by examiner

(**) Term: **14 Years**

Primary Examiner — Mary Ann Calabrese

(21) Appl. No.: **29/429,812**

(74) *Attorney, Agent, or Firm* — Leong C. Lei

(22) Filed: **Aug. 16, 2012**

(57) **CLAIM**

The ornamental design for a signboard connector, as shown and described.

(51) **LOC (10) Cl.** **20-03**

(52) **U.S. Cl.**
USPC **D20/43**

DESCRIPTION

(58) **Field of Classification Search**
USPC D20/10, 19, 43, 44, 99; 40/641.01,
40/642.02, 649-651, 661; D8/349, 354,
D8/355, 373, 382, 383, 394, 395; 16/87.8;
211/46, 47, 168; 248/124.2, 126;
403/119

FIG. 1 is a front perspective view of a signboard connector showing my new design;
FIG. 2 is a front elevational view thereof;
FIG. 3 is a rear elevational view thereof;
FIG. 4 is a left elevational view thereof;
FIG. 5 is a right elevational view thereof;
FIG. 6 is a top plan view thereof;
FIG. 7 is a bottom plan view thereof; and,
FIG. 8 is another front perspective view thereof in an alternate position of use.

See application file for complete search history.

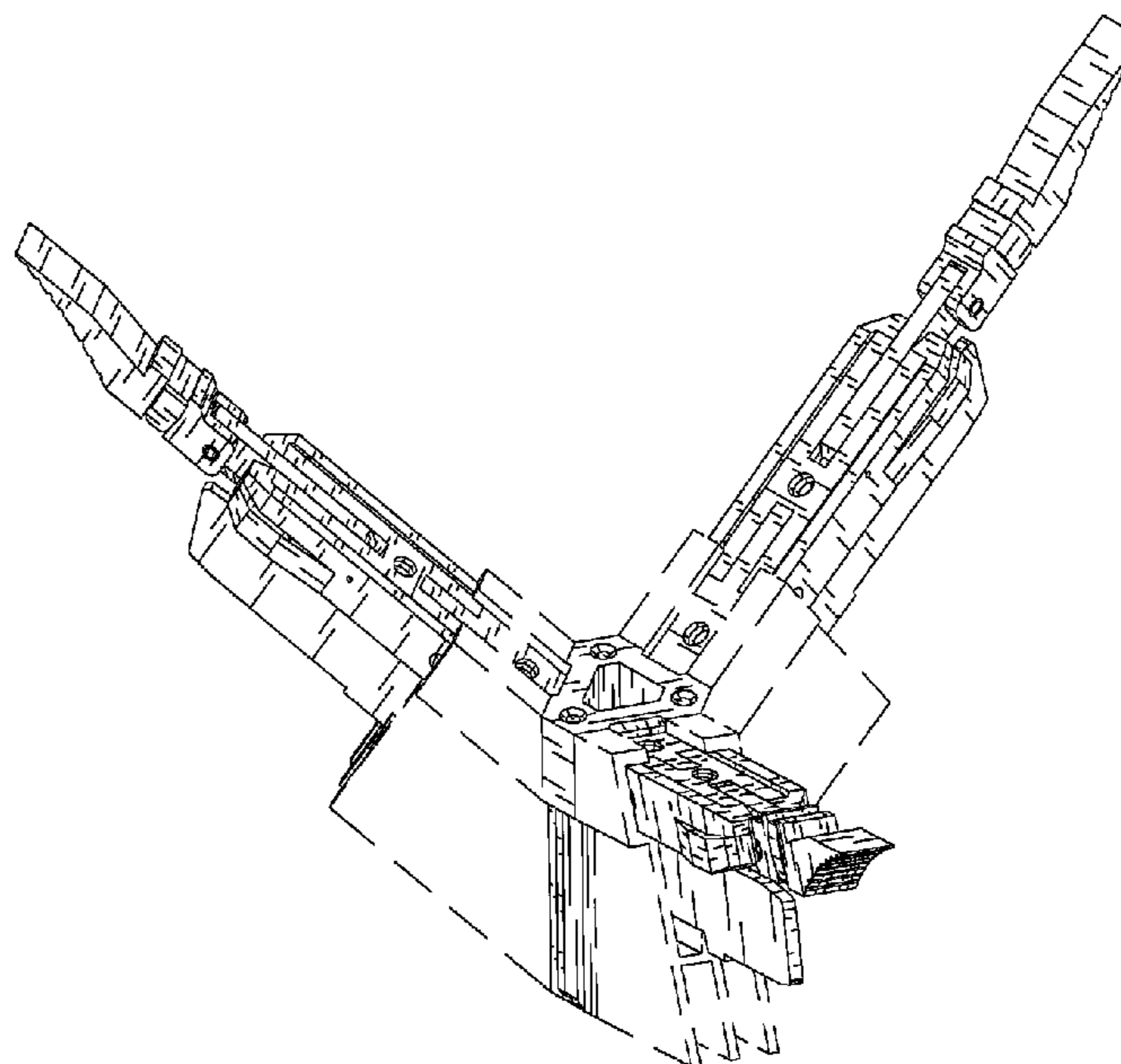
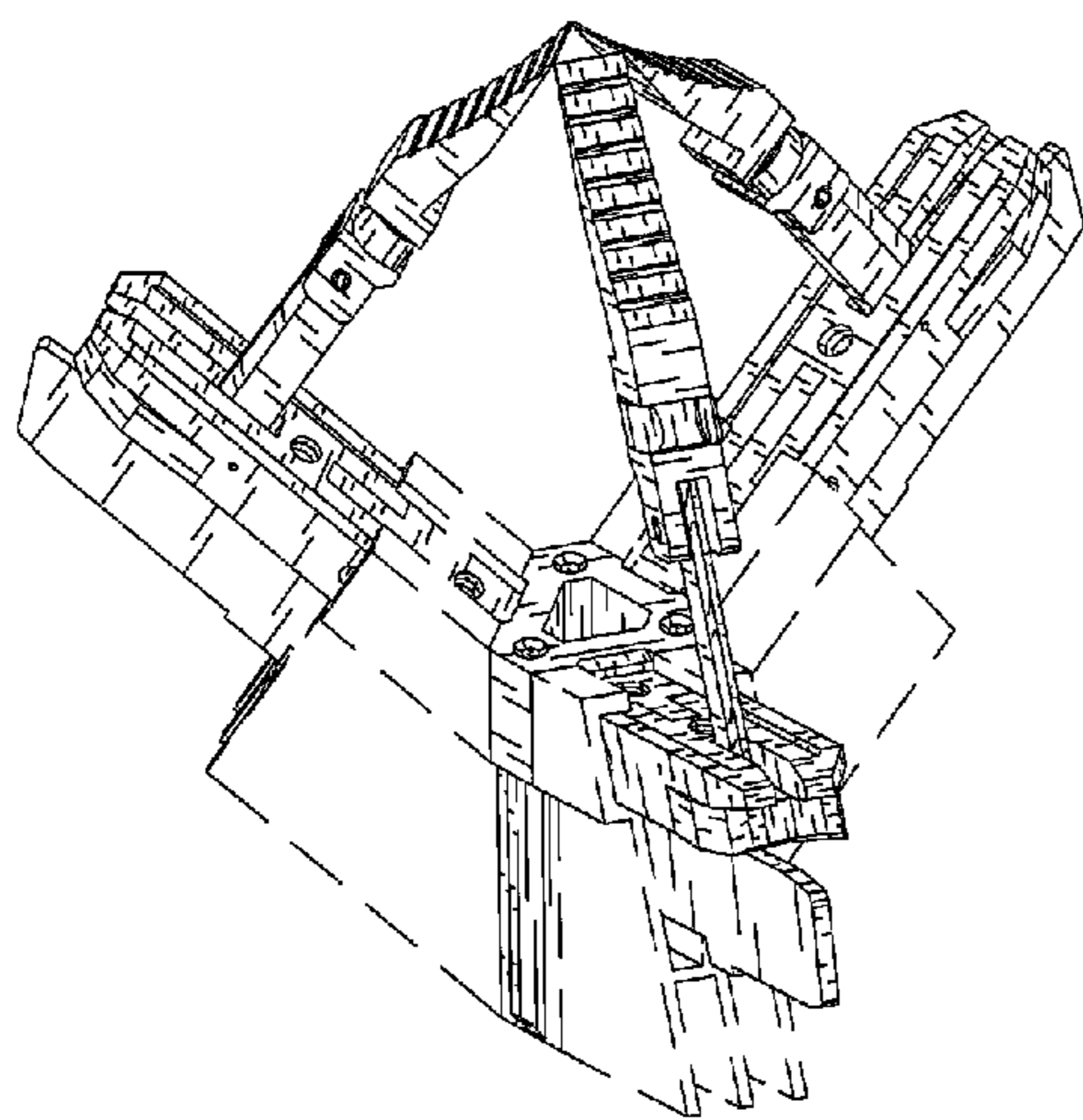
The broken lines illustrate portions of the signboard connector that form no part of the claimed design.

(56) **References Cited**

U.S. PATENT DOCUMENTS

7,475,855 B2* 1/2009 Padiak et al. 248/122.1
2011/0176860 A1* 7/2011 Lin 403/119

1 Claim, 8 Drawing Sheets



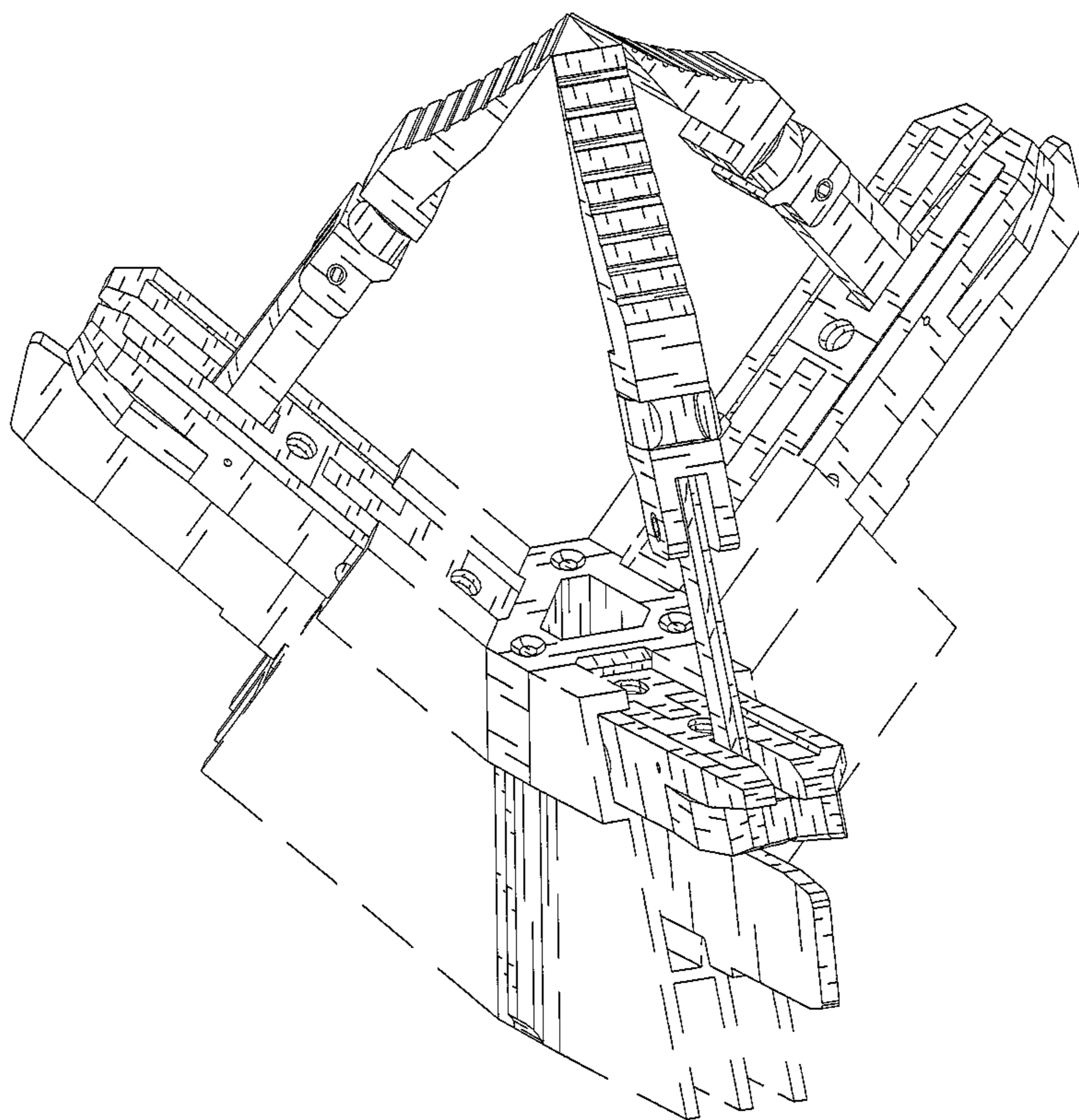


FIG. 1

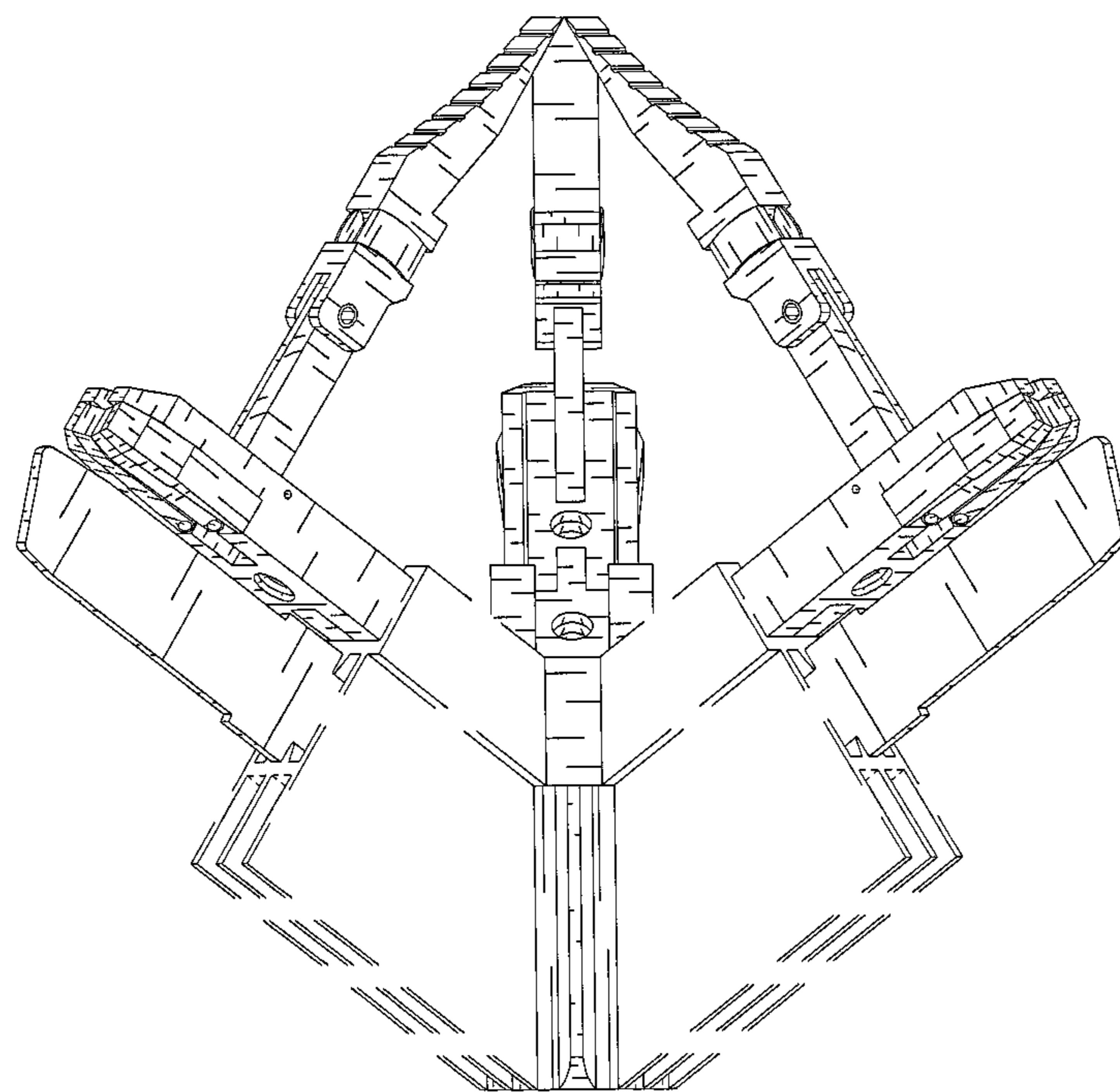


FIG. 2

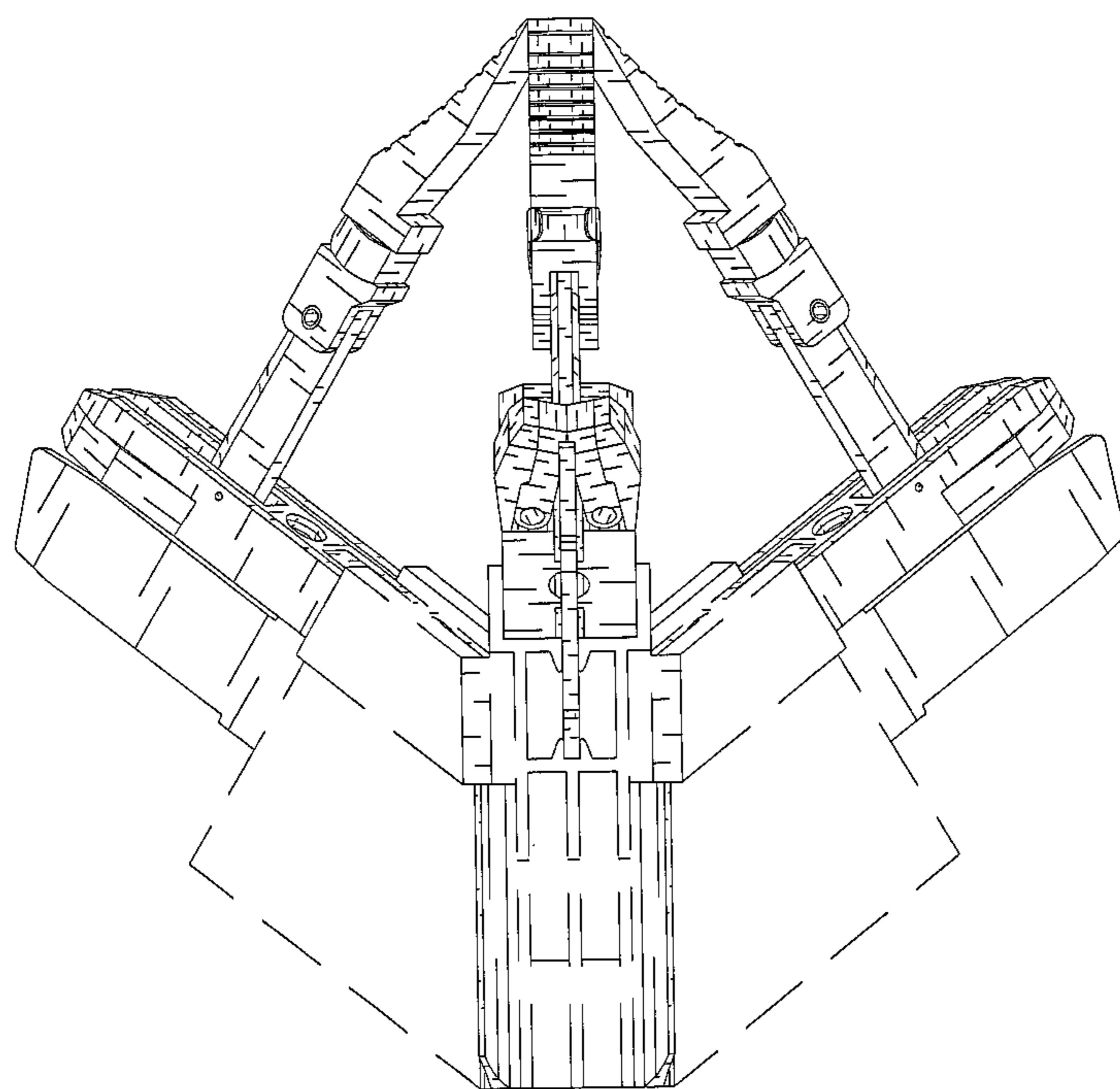


FIG. 3

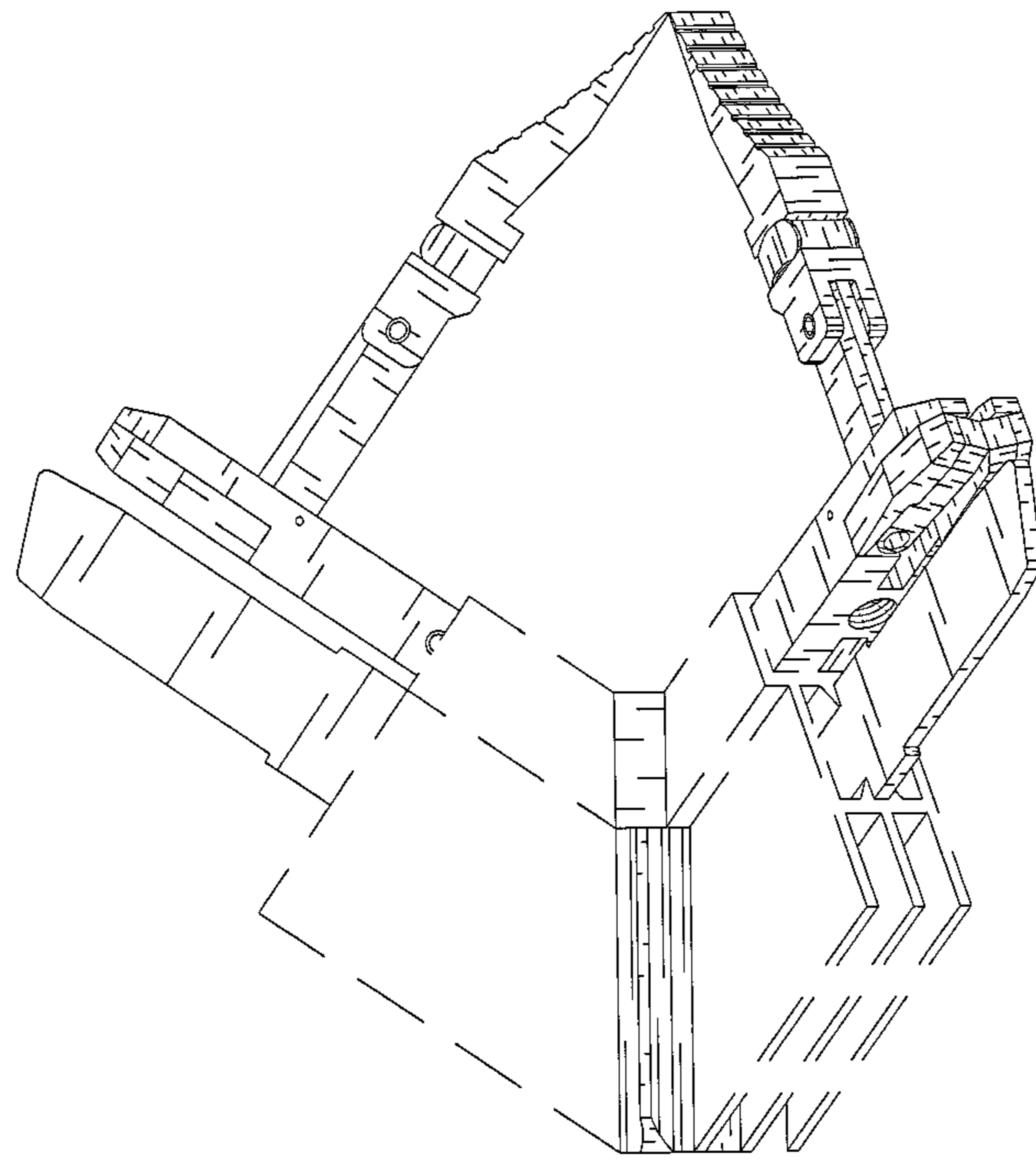


FIG. 4

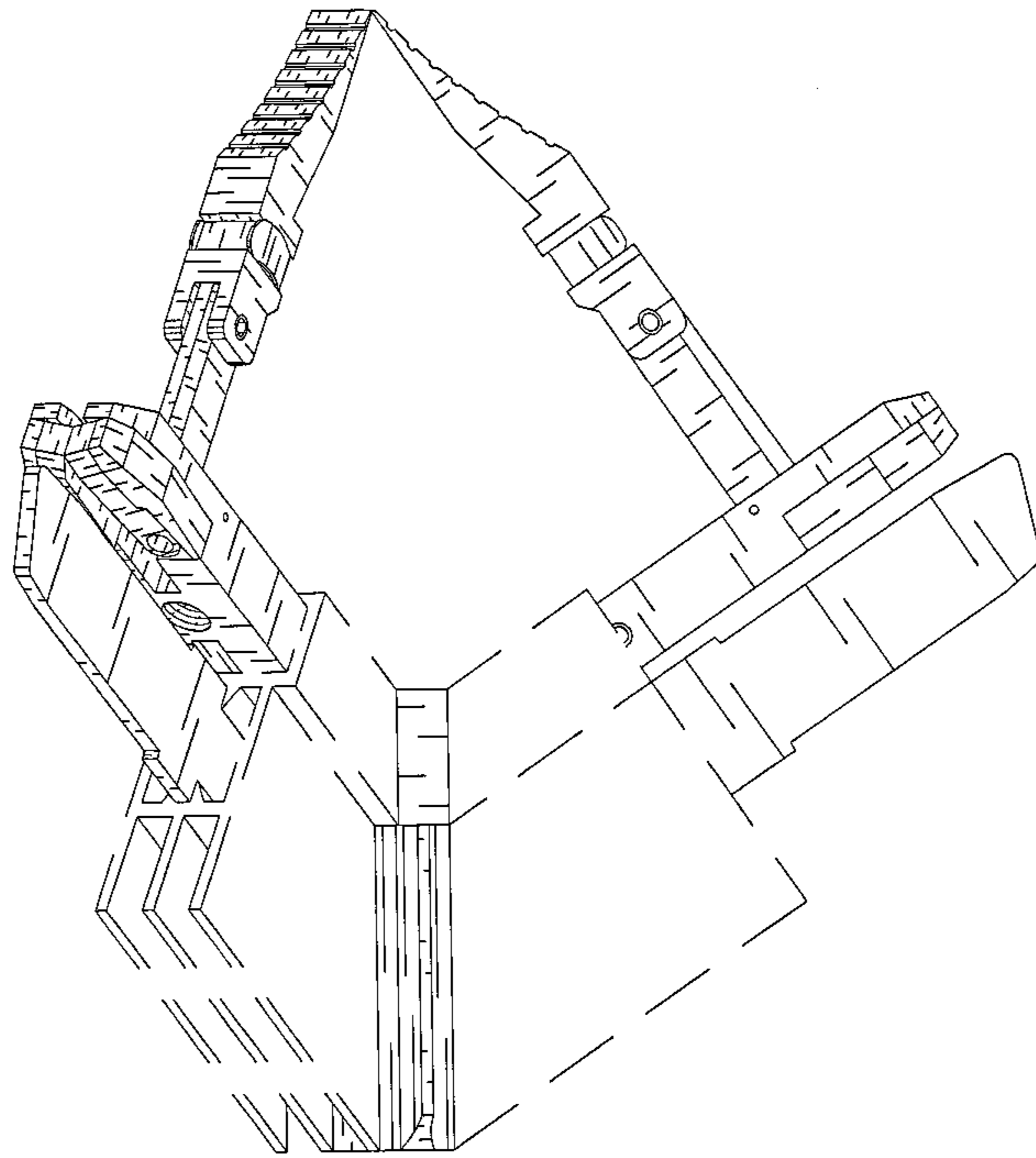


FIG. 5

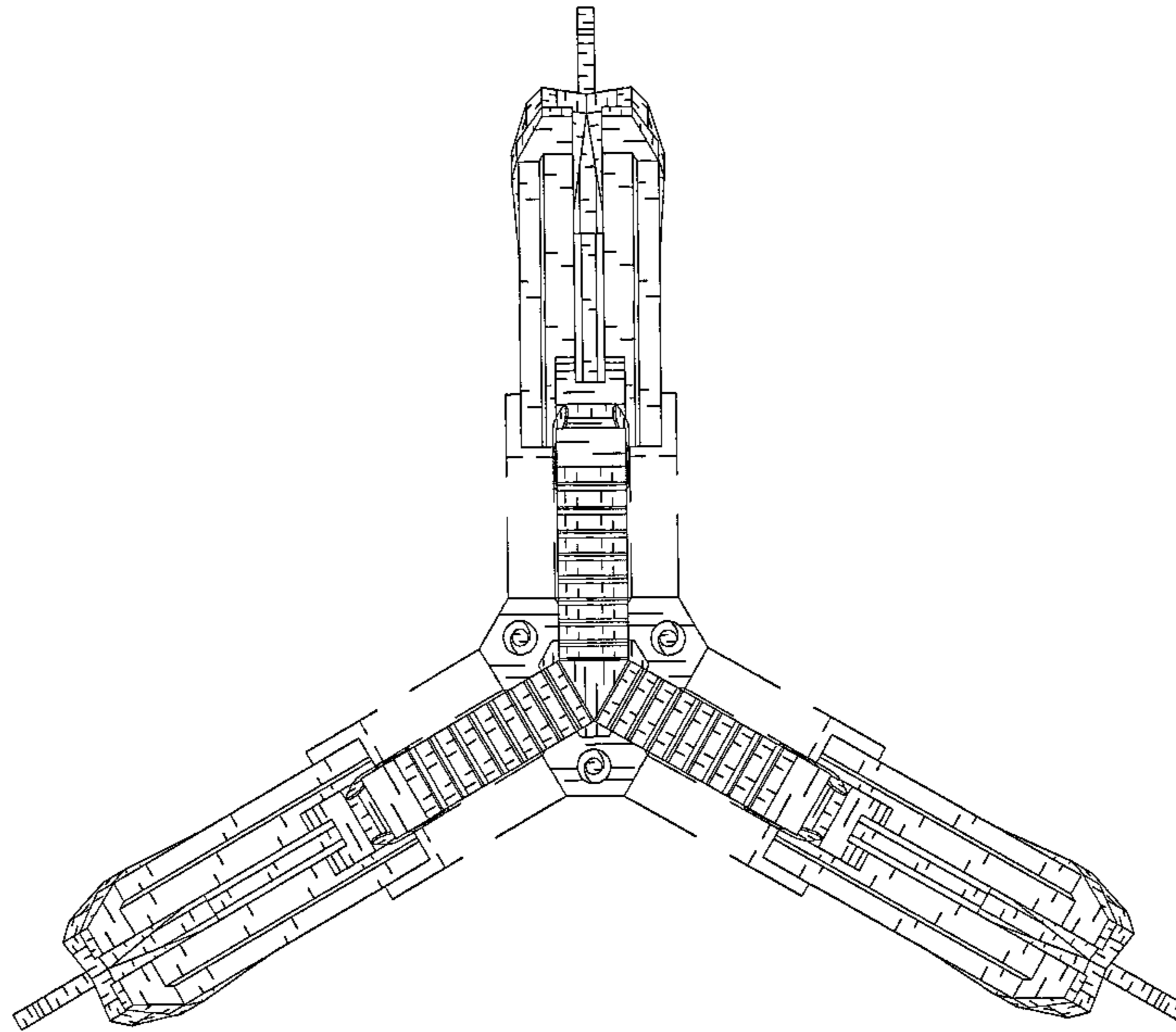


FIG. 6

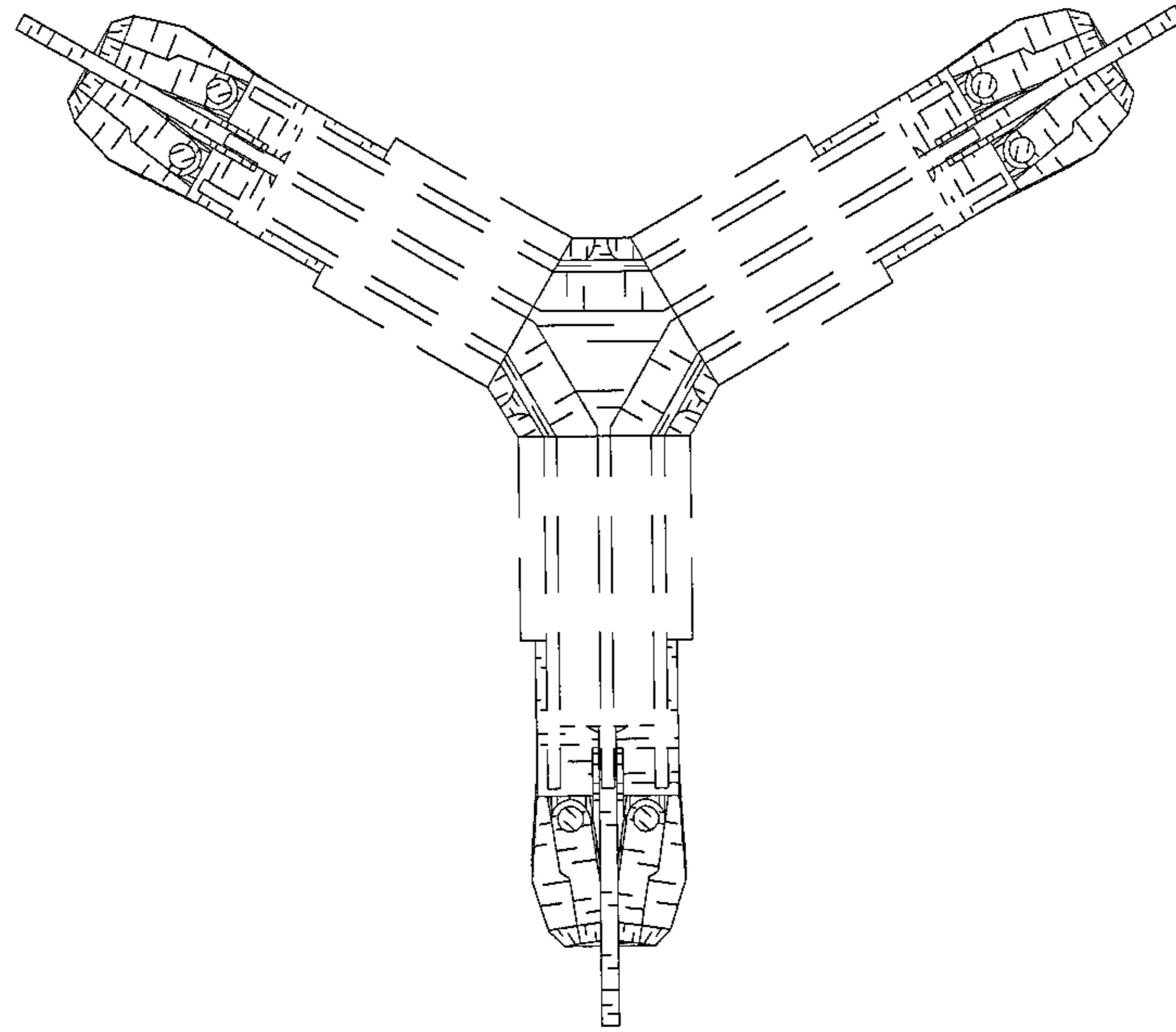


FIG. 7

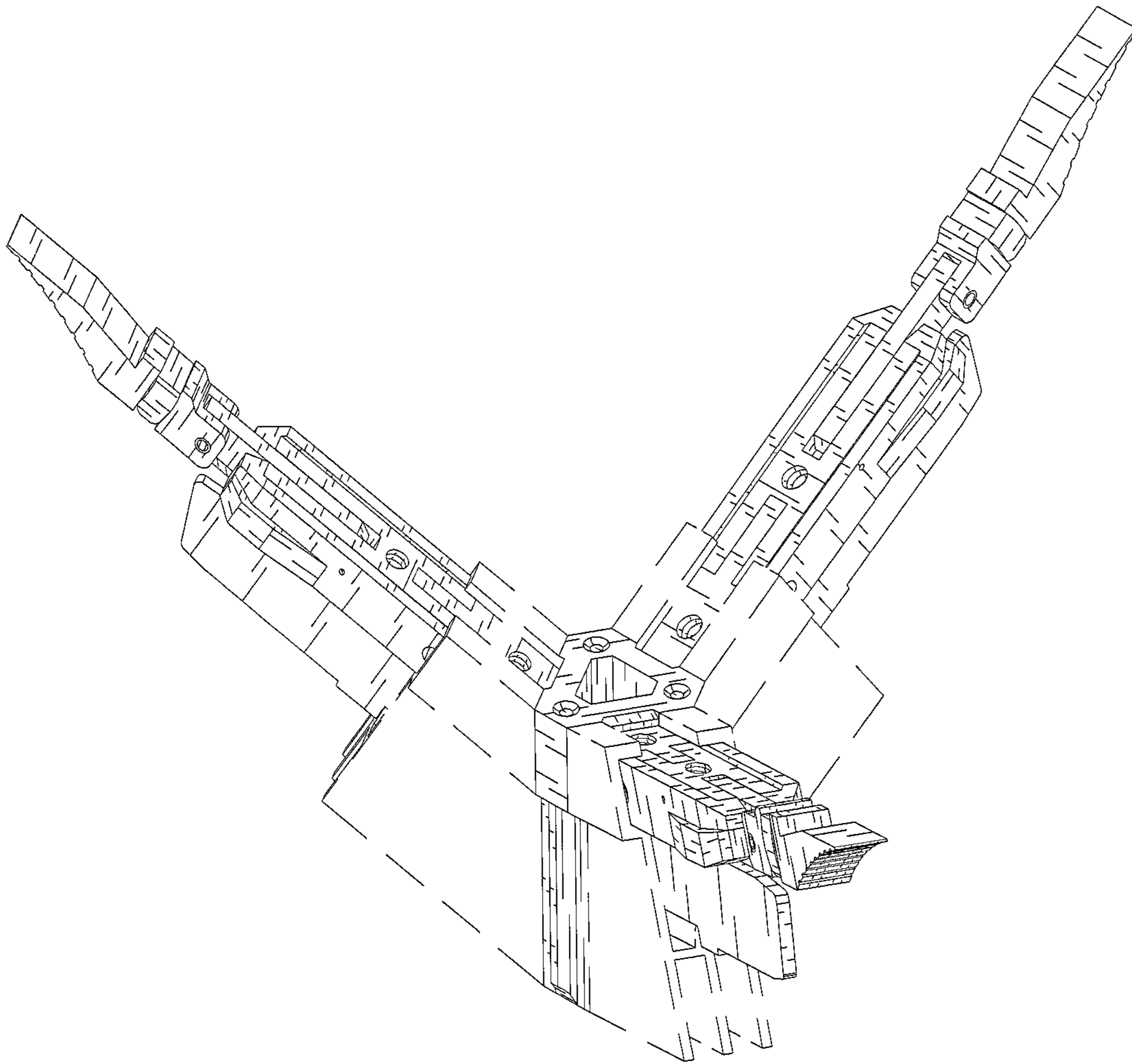


FIG. 8