



US00D700241S

(12) **United States Design Patent**  
**Turner et al.**

(10) **Patent No.:** **US D700,241 S**  
(45) **Date of Patent:** **\*\* Feb. 25, 2014**

(54) **TAPE DISPENSER**

(71) Applicant: **3M Innovative Properties Company**,  
St. Paul, MN (US)

(72) Inventors: **Traxton J. Turner**, West St. Paul, MN  
(US); **Shaelyn D. Crutchley**, St. Paul,  
MN (US); **Jane E. Harvey Pennaz**,  
Roseville, MN (US); **Emily K.**  
**Vanderheyden**, St. Paul, MN (US);  
**Giuseppe De Bellis**, Milanese (IT);  
**Bruno L. Peccoud**, Menthon Saint  
Bernard (FR)

(73) Assignee: **3M Innovative Properties Company**,  
St. Paul, MN (US)

(\*\*) Term: **14 Years**

(21) Appl. No.: **29/464,269**

(22) Filed: **Aug. 14, 2013**

(51) **LOC (10) Cl.** ..... **08-02**

(52) **U.S. Cl.**  
USPC ..... **D19/69**

(58) **Field of Classification Search**  
USPC ..... D19/36, 70, 69, 68; D13/133, 146;  
242/588.6, 588.3, 588.2; 225/77, 6, 56,  
225/69, 26, 25, 19, 11; 206/411; 156/577,  
156/527, 523

See application file for complete search history.

(56) **References Cited**

**U.S. PATENT DOCUMENTS**

D187,177 S \* 2/1960 Lawson ..... D20/31  
D233,238 S \* 10/1974 Reed et al. .... D19/62  
D420,064 S \* 2/2000 Poirier et al. .... D21/621

D443,817 S \* 6/2001 Jones ..... D3/271.3  
D453,361 S \* 2/2002 Tsai ..... D21/578  
D454,811 S \* 3/2002 Perry et al. .... D11/160  
D486,864 S \* 2/2004 Bresciani et al. .... D19/82  
D492,359 S \* 6/2004 So ..... D19/90  
D496,076 S \* 9/2004 Klaus et al. .... D21/621  
D499,343 S \* 12/2004 Chan ..... D10/2  
D530,645 S \* 10/2006 Perry et al. .... D11/160  
D541,353 S \* 4/2007 Takahashi ..... D21/578  
D541,698 S \* 5/2007 Johannson ..... D11/160  
D622,331 S \* 8/2010 Rappaport-Rowan ..... D21/617  
D640,326 S \* 6/2011 Wu ..... D19/99  
D677,743 S \* 3/2013 Koshiishi ..... D21/578  
D682,942 S \* 5/2013 Packard et al. .... D19/69  
D689,136 S \* 9/2013 Crutchley et al. .... D19/86

\* cited by examiner

*Primary Examiner* — Austin Murphy

(74) *Attorney, Agent, or Firm* — Irina Hass

(57) **CLAIM**

The ornamental design for a tape dispenser, as shown and described.

**DESCRIPTION**

FIG. 1 is a perspective view showing the new design for a tape dispenser;

FIG. 2 is a left side view thereof;

FIG. 3 is a right side view thereof;

FIG. 4 is a rear view thereof;

FIG. 5 is a bottom view thereof;

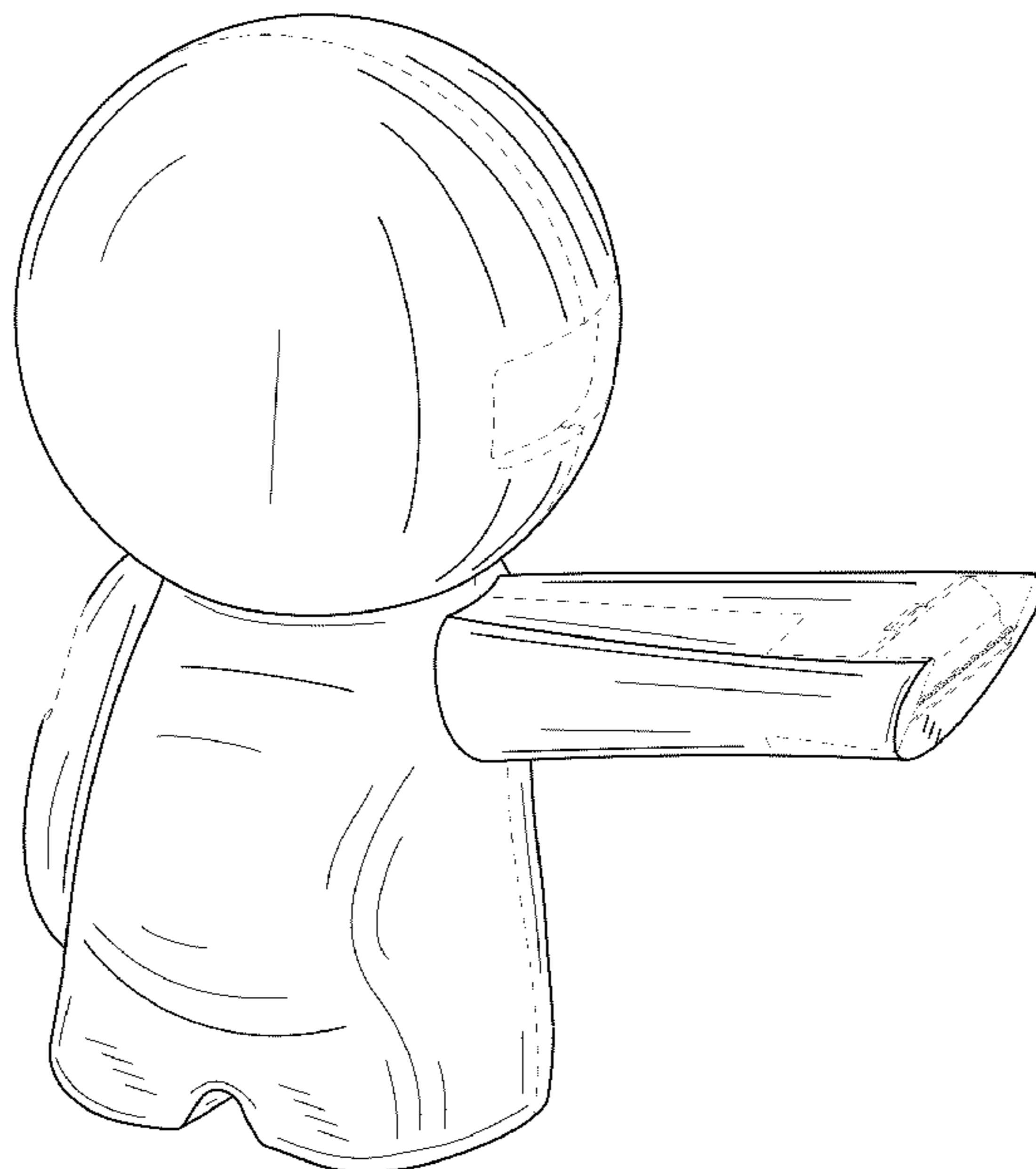
FIG. 6 is a front view thereof;

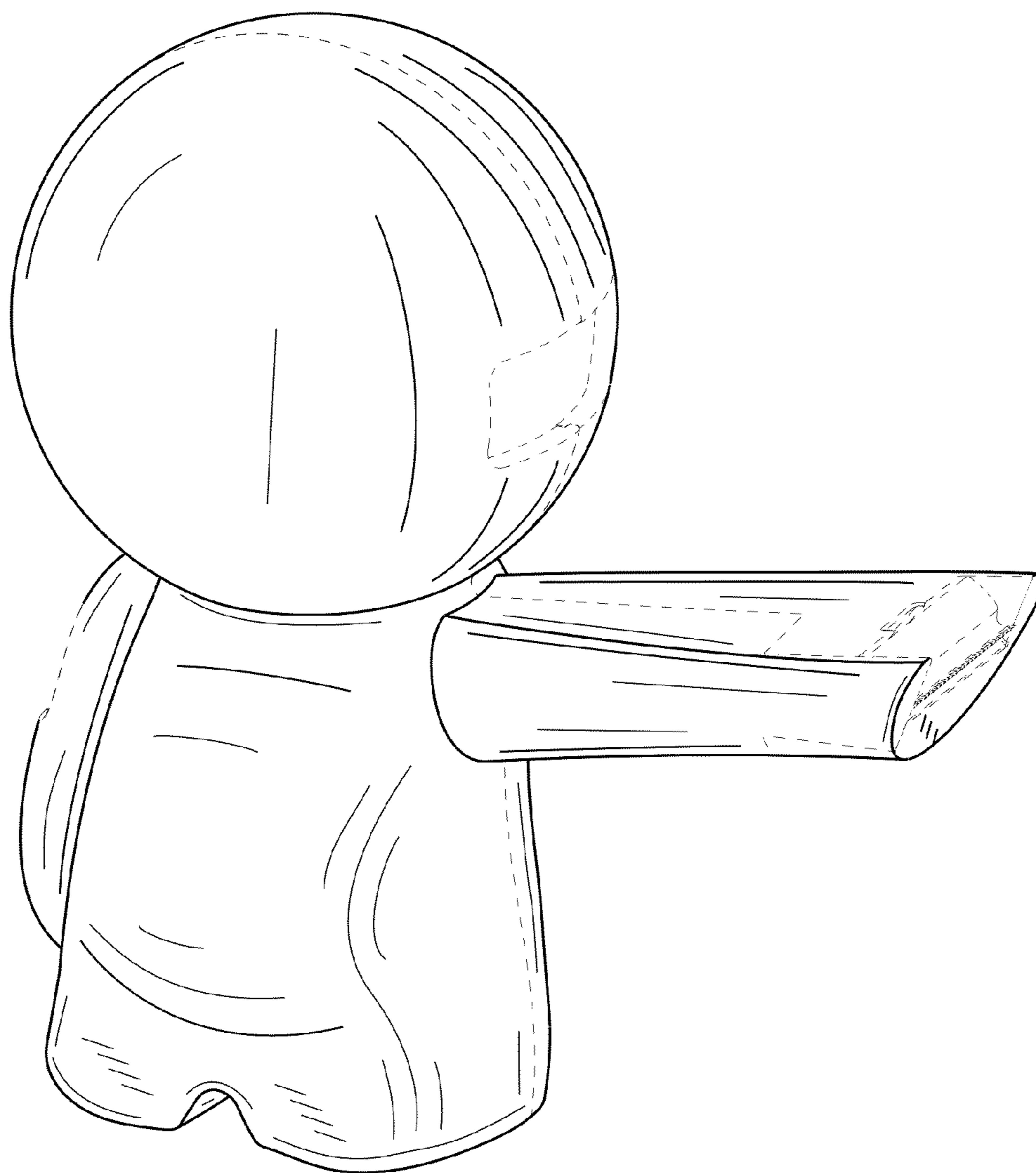
FIG. 7 is a top view thereof; and,

FIG. 8 is a perspective view thereof showing the tape dispenser with a tape.

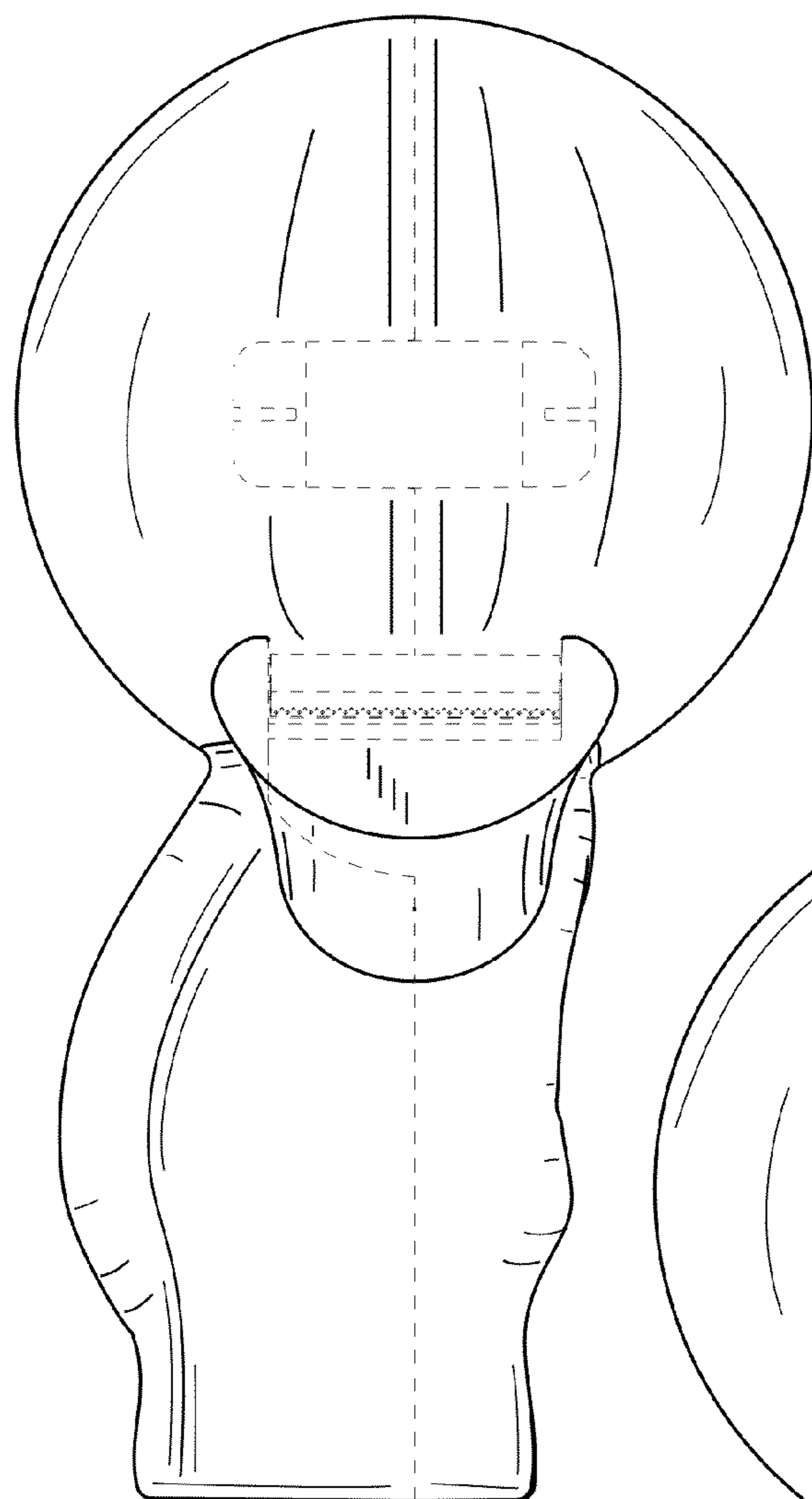
The portions of the tape dispenser shown in broken lines form no part of the claimed design.

**1 Claim, 5 Drawing Sheets**

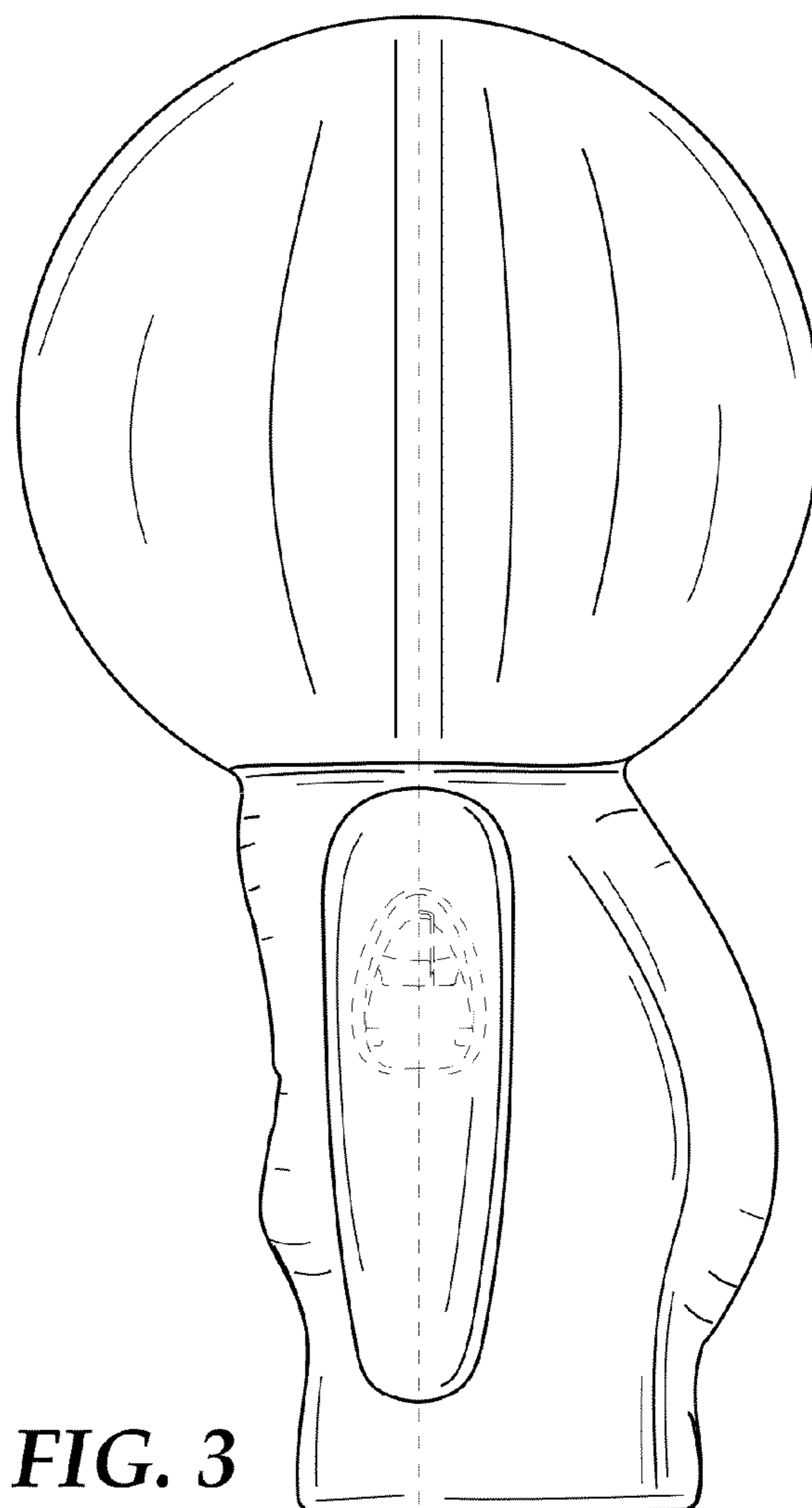




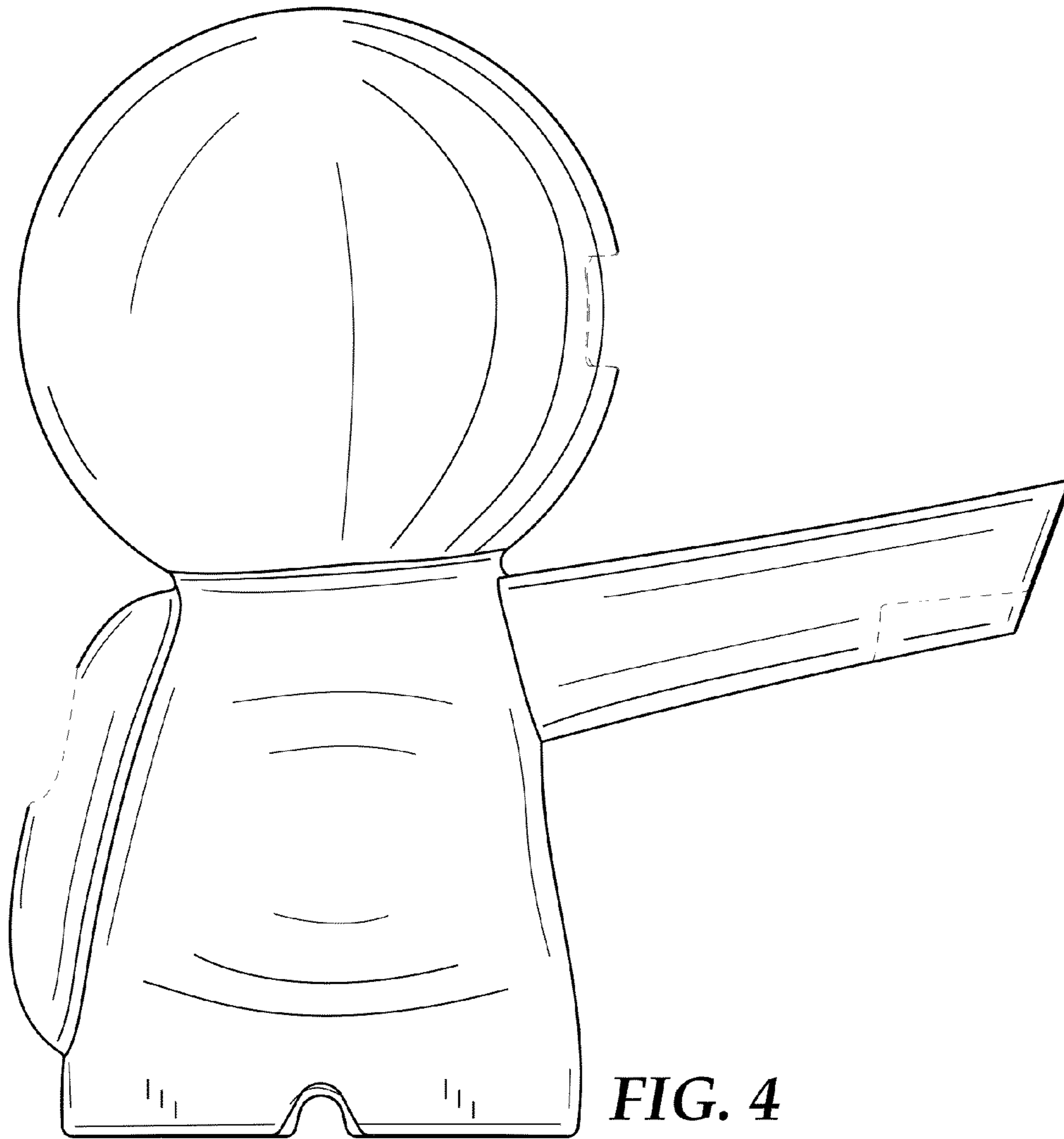
**FIG. 1**



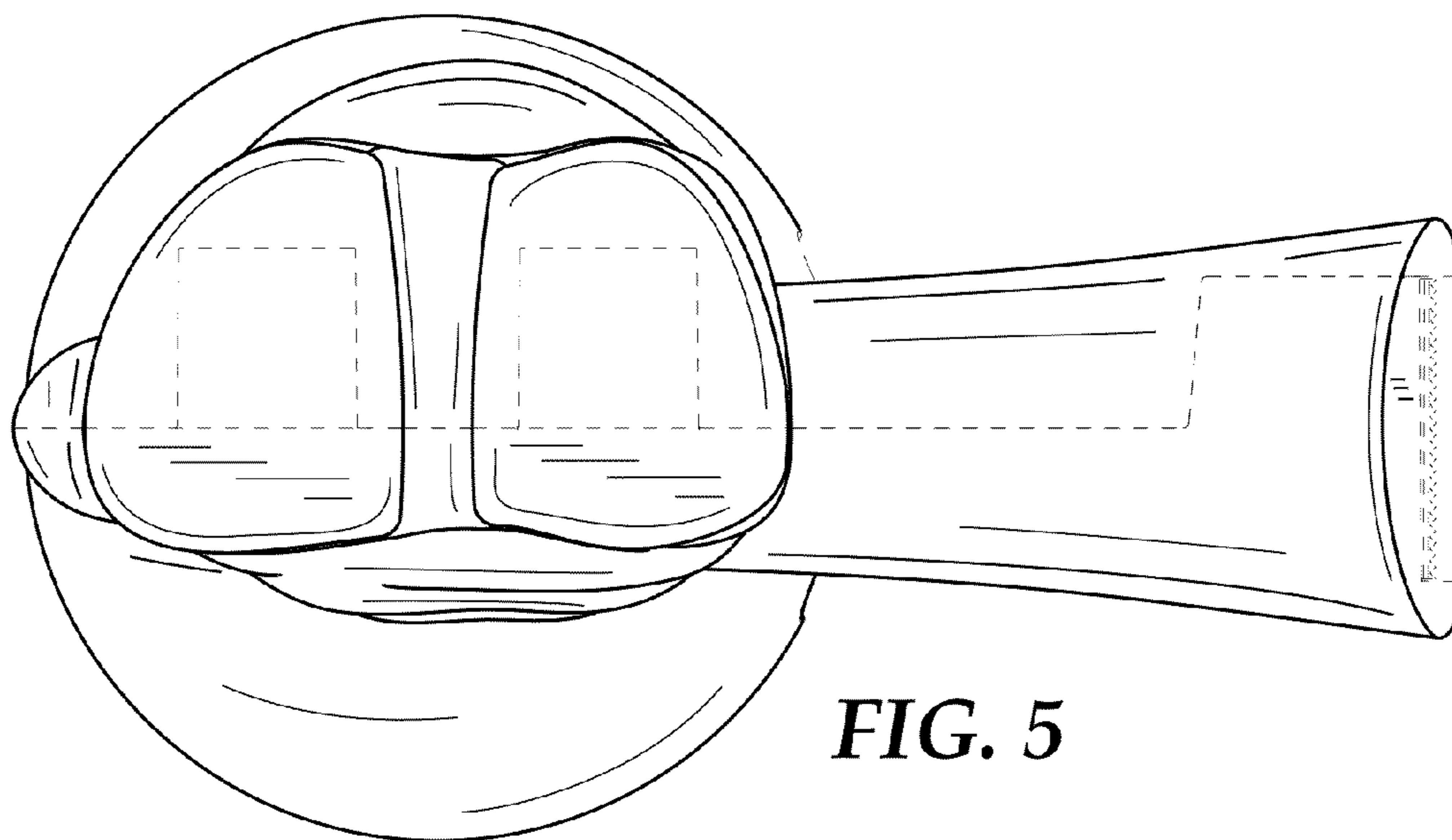
**FIG. 2**



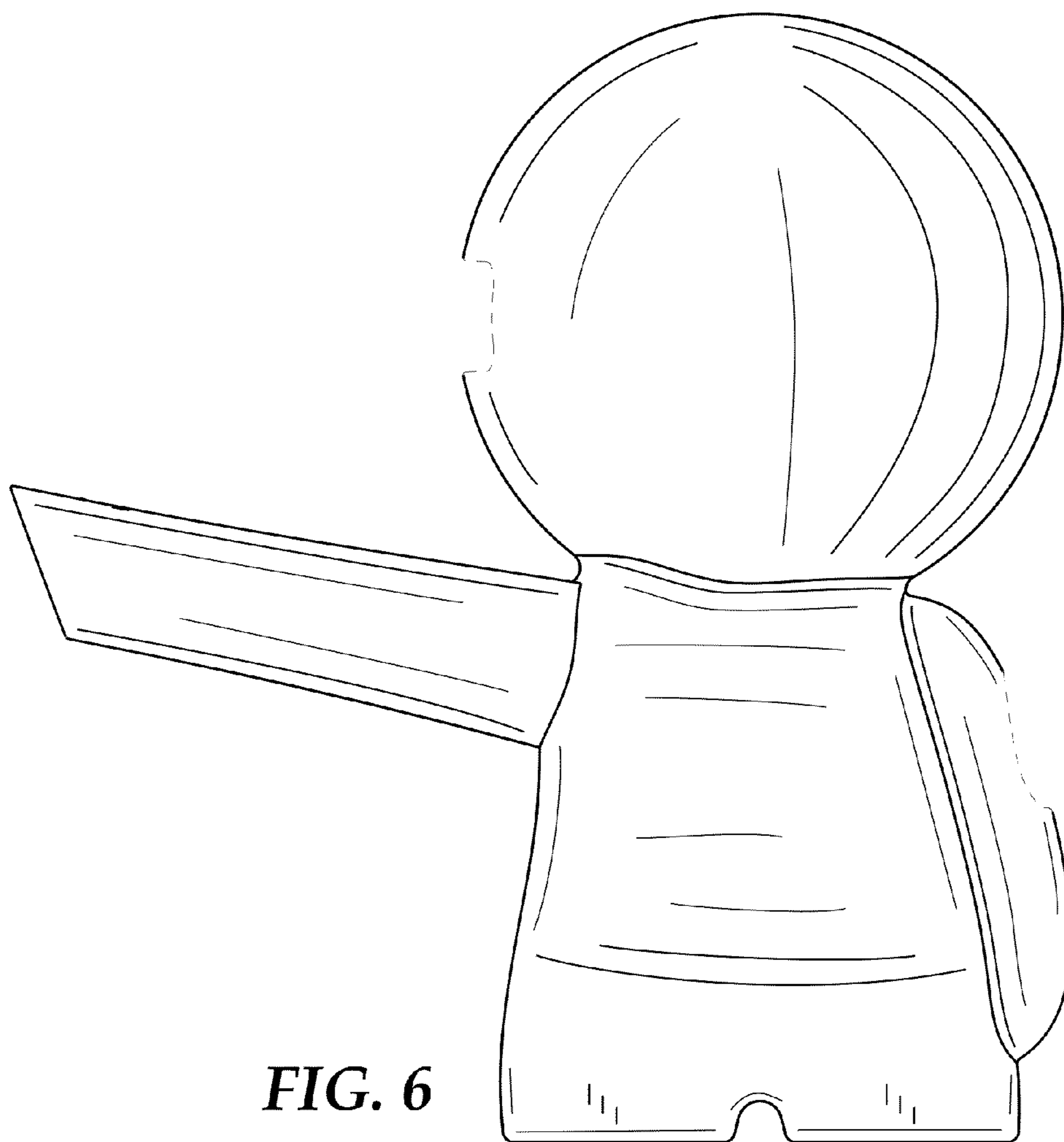
**FIG. 3**



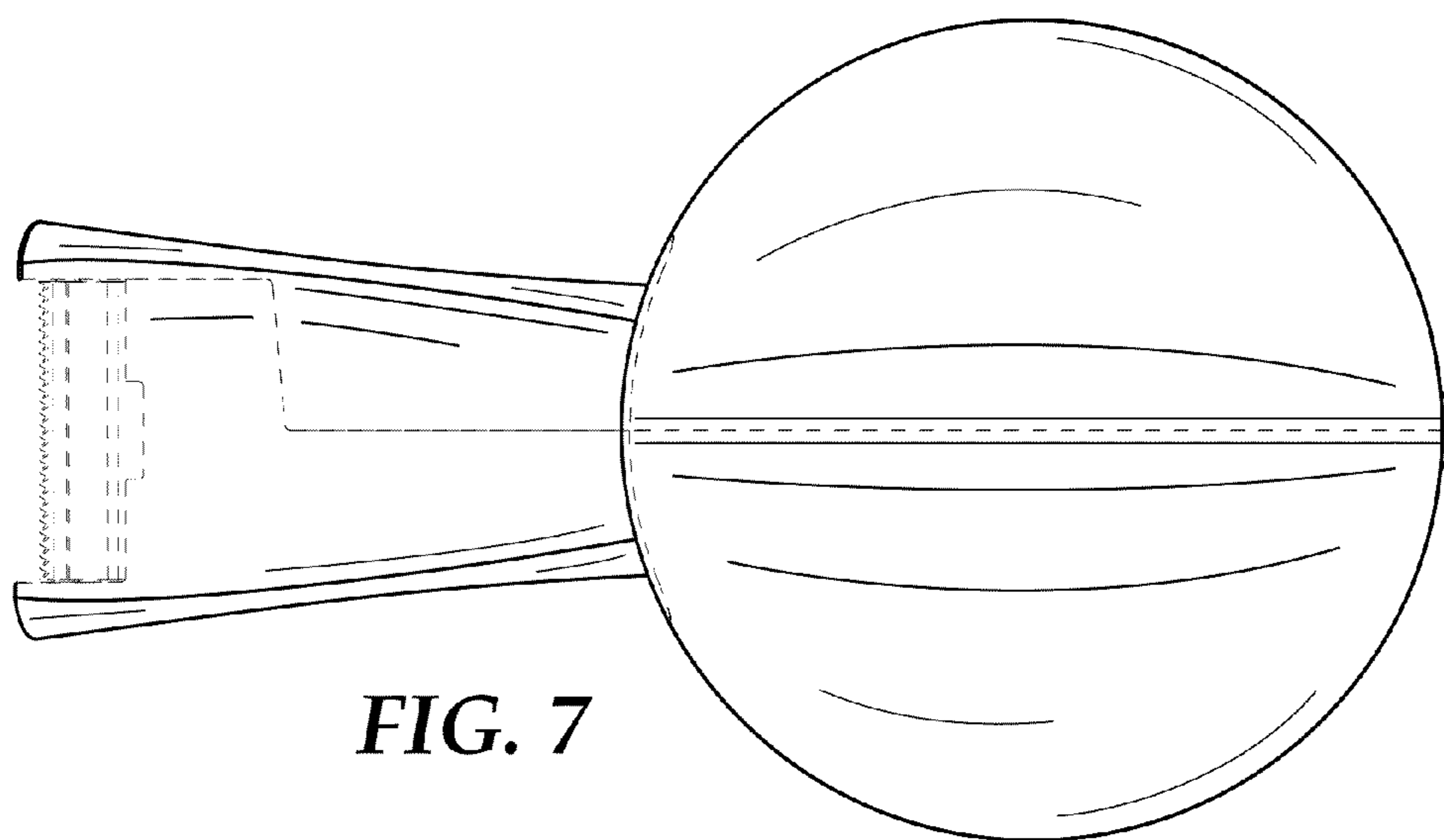
**FIG. 4**



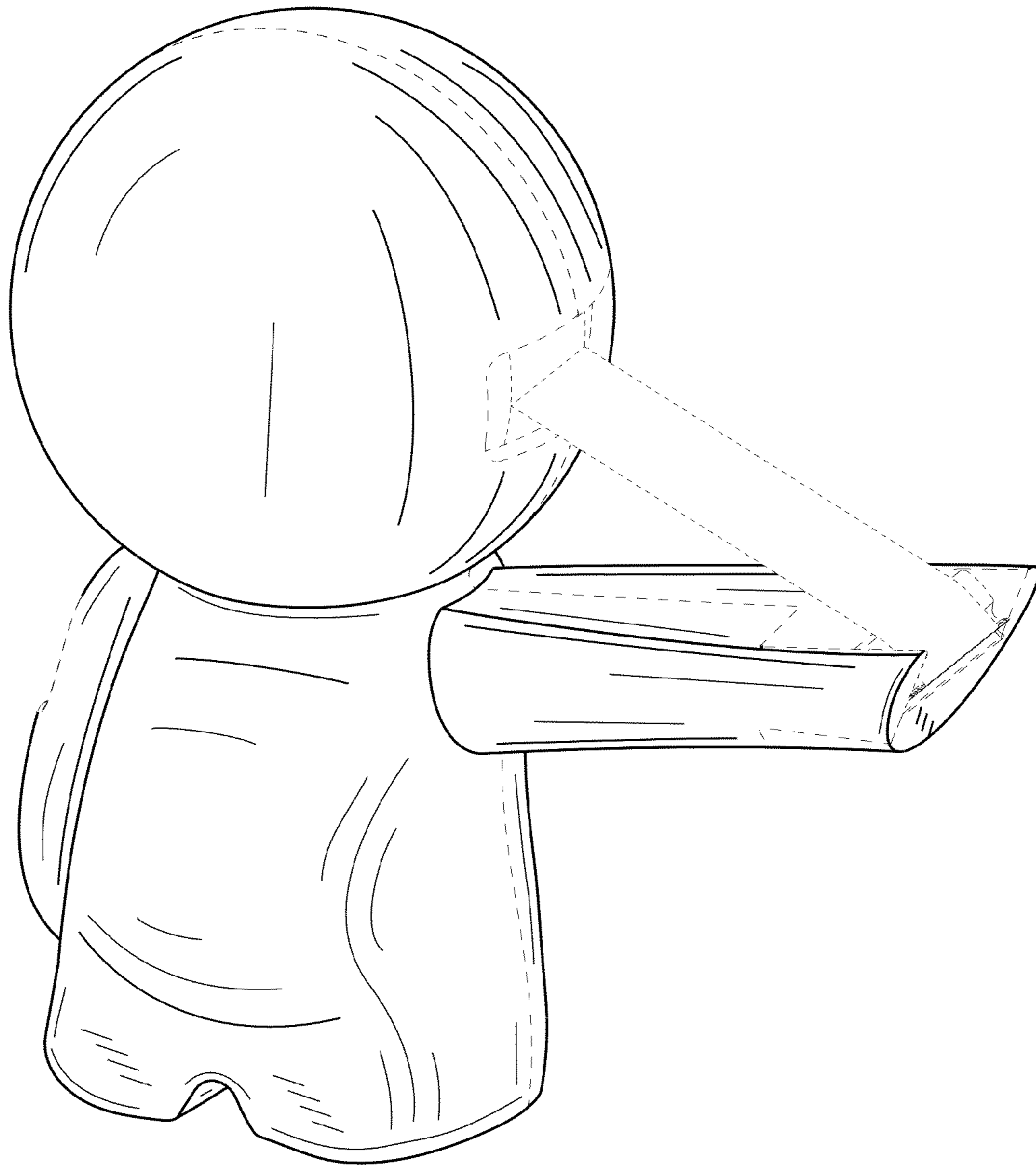
**FIG. 5**



**FIG. 6**



**FIG. 7**



**FIG. 8**