



US00D700240S

(12) **United States Design Patent**
Chapin et al.

(10) **Patent No.:** **US D700,240 S**
(45) **Date of Patent:** **** Feb. 25, 2014**

(54) **FLY TAPE DISPENSER**

(71) Applicant: **Sterling International Inc.**, Spokane, WA (US)

(72) Inventors: **Marc Chapin**, Spokane, WA (US);
Rodney G. Schneidmiller, Greenacres, WA (US)

(73) Assignee: **Sterling International Inc.**, Spokane, WA (US)

(**) Term: **14 Years**

(21) Appl. No.: **29/461,016**

(22) Filed: **Jul. 17, 2013**

Related U.S. Application Data

(63) Continuation-in-part of application No. 13/911,033, filed on Jun. 5, 2013.

(51) **LOC (10) Cl.** **19-02**

(52) **U.S. Cl.**
USPC **D19/69**

(58) **Field of Classification Search**
USPC D19/70, 69, 36, 68; 242/588.6, 588.2;
225/77, 6, 56, 39, 26, 25, 19, 11;
206/411; 156/577, 527, 523
See application file for complete search history.

(56) **References Cited**

U.S. PATENT DOCUMENTS

3,216,634 A * 11/1965 Lausa 225/19
D490,469 S * 5/2004 Chandaria D19/69

D494,623 S * 8/2004 Huang D19/69
D567,292 S * 4/2008 Mohoney D19/69
D586,676 S * 2/2009 Wagner et al. D10/72
D590,444 S * 4/2009 Farnworth et al. D19/73
D647,565 S * 10/2011 Pourian et al. D19/69
D656,548 S * 3/2012 Packard et al. D19/69
D657,420 S * 4/2012 Clover et al. D19/69
D687,102 S * 7/2013 Chandaria D19/69

* cited by examiner

Primary Examiner — Austin Murphy

(74) *Attorney, Agent, or Firm* — Christensen O'Connor Johnson Kindness PLLC

(57) **CLAIM**

The ornamental design for a fly tape dispenser, as shown.

DESCRIPTION

FIG. 1 is an upper perspective view of a fly tape dispenser according to our new design;

FIG. 2 is a lower perspective view of the fly tape dispenser shown in FIG. 1;

FIG. 3 is a front view of the fly tape dispenser shown in FIG. 1;

FIG. 4 is a rear view of the fly tape dispenser shown in FIG. 1;

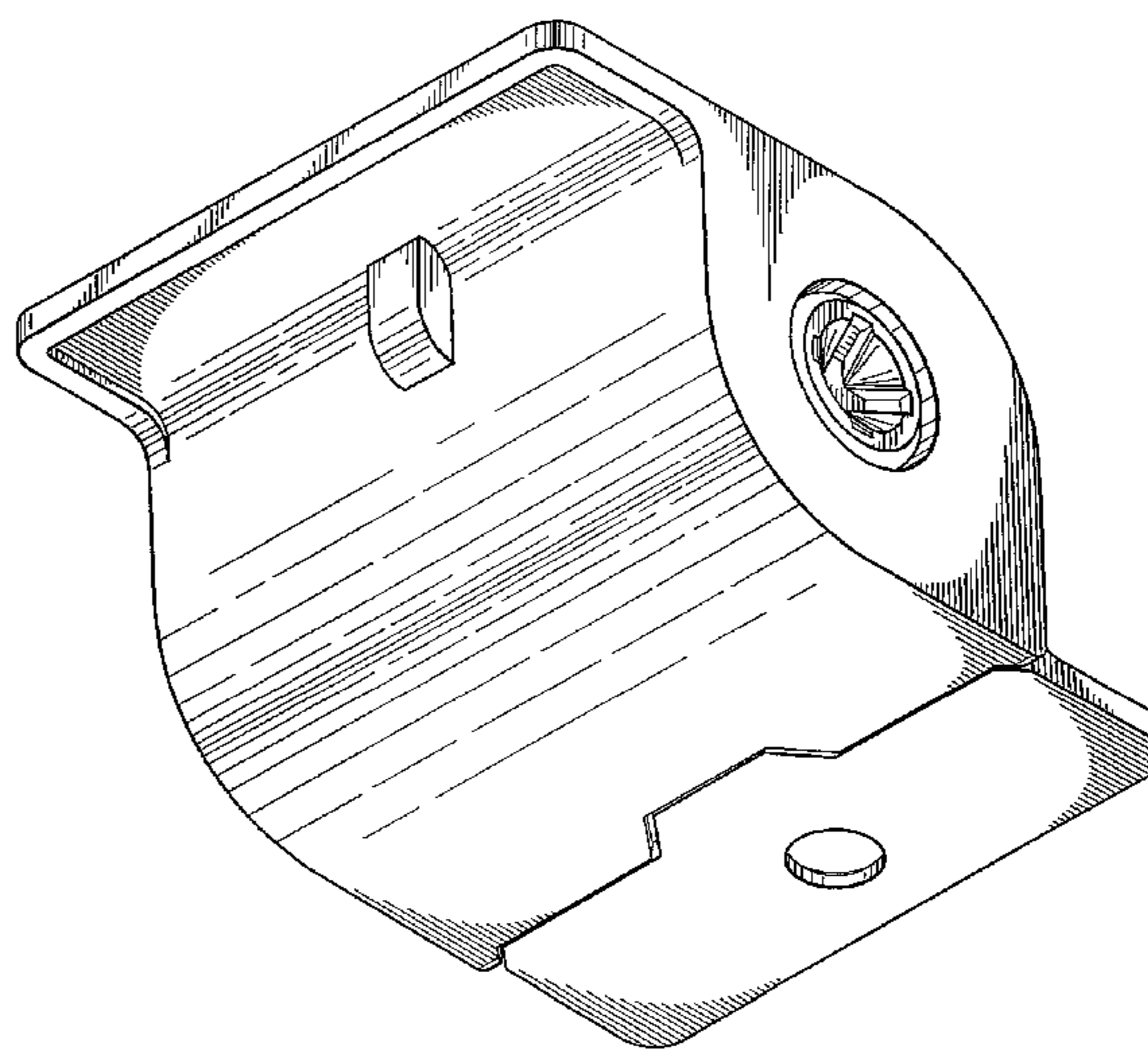
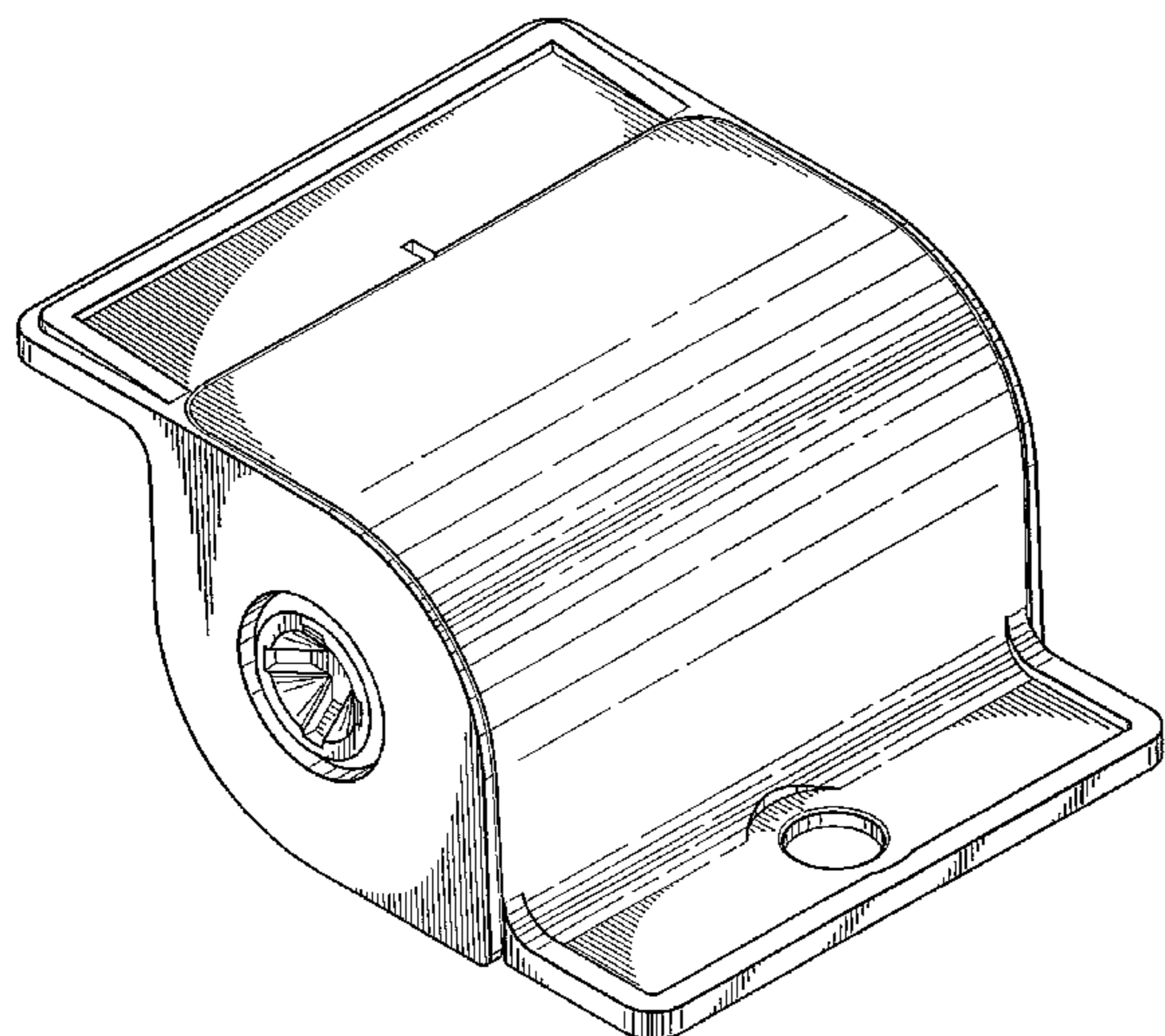
FIG. 5 is a right side view of the fly tape dispenser shown in FIG. 1;

FIG. 6 is a left side view of the fly tape dispenser shown in FIG. 1;

FIG. 7 is a plan view of the fly tape dispenser shown in FIG. 1; and,

FIG. 8 is a bottom view of the fly tape dispenser shown in FIG. 1.

1 Claim, 6 Drawing Sheets



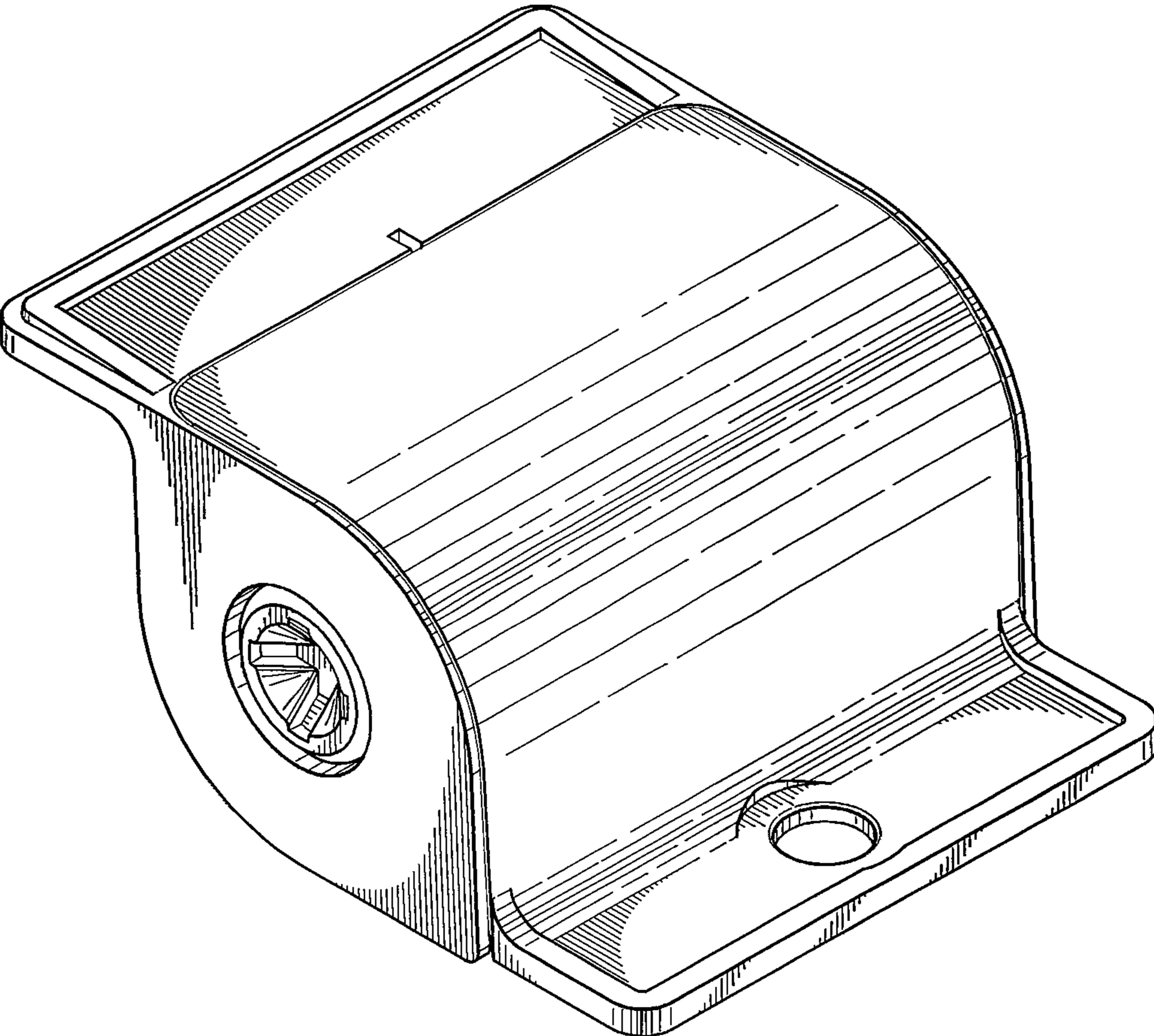


Fig. 1.

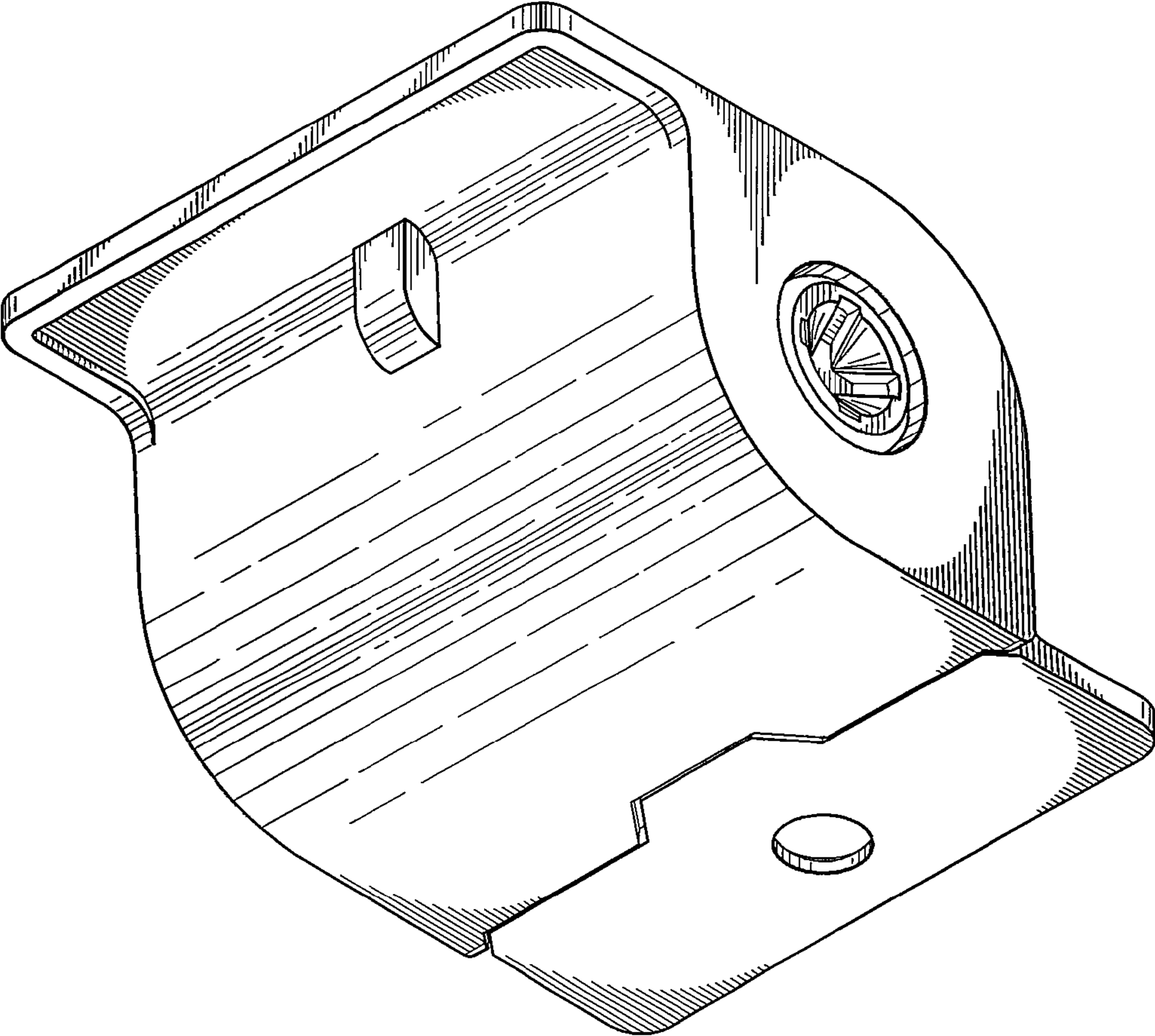


Fig. 2.

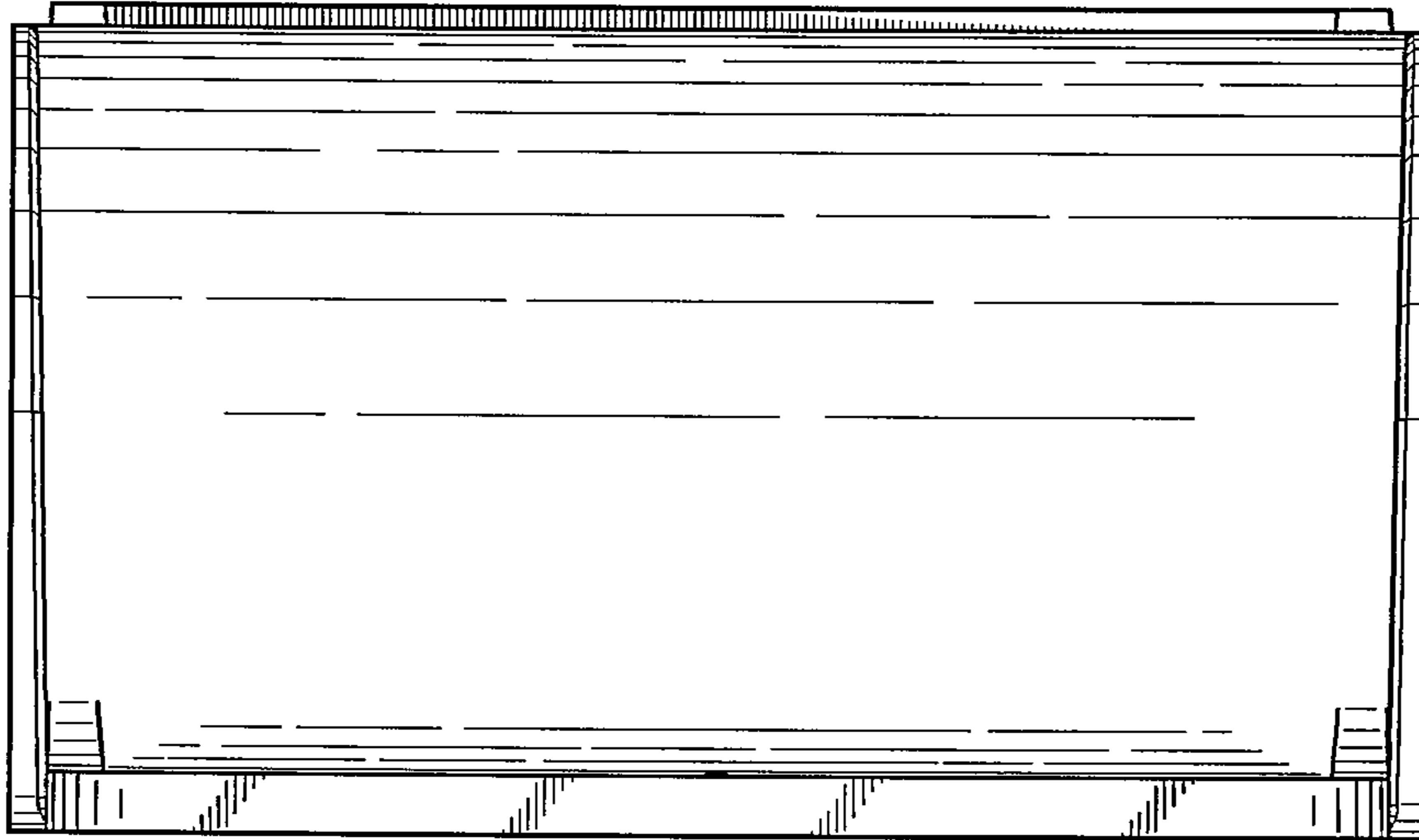


Fig. 3.

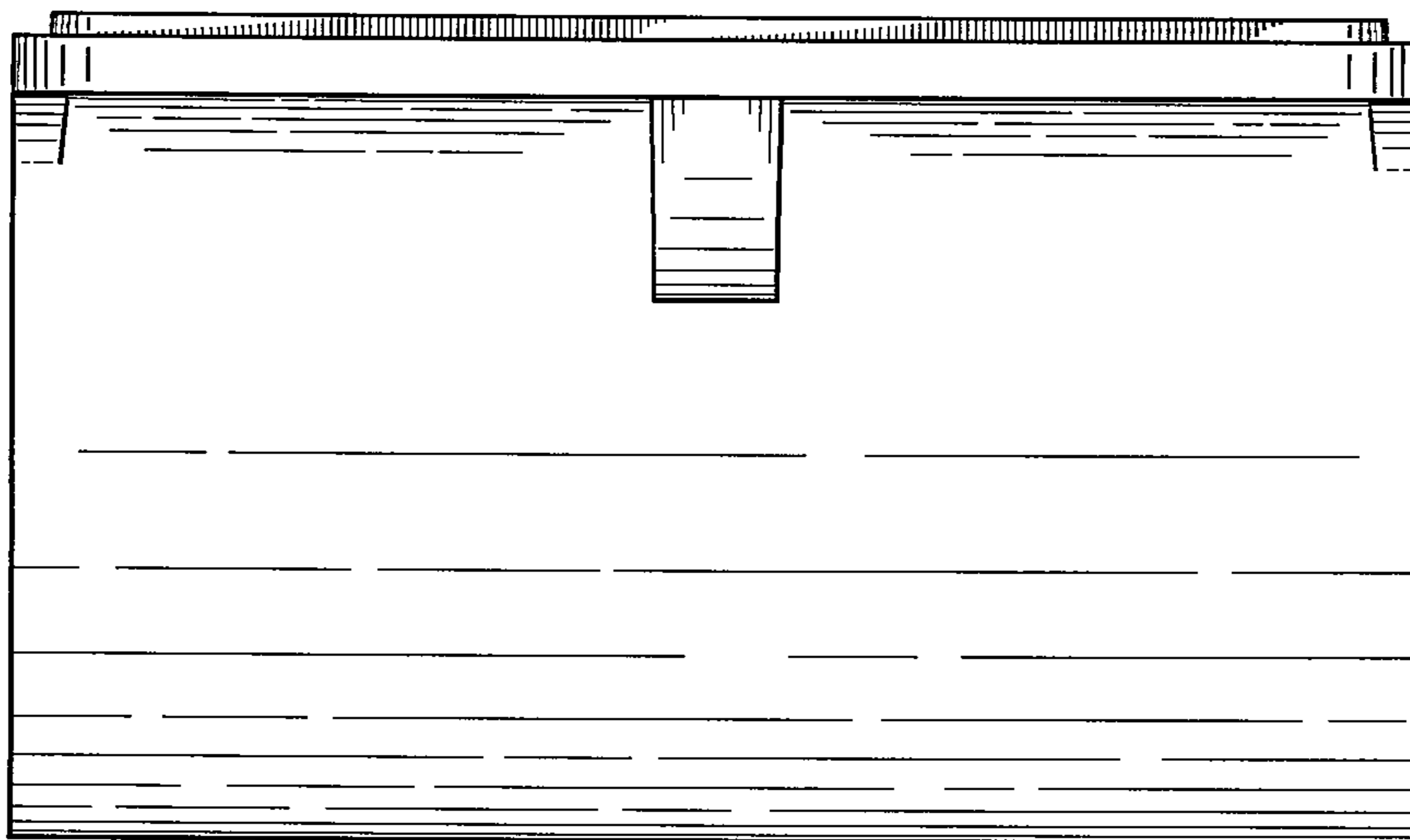


Fig. 4.

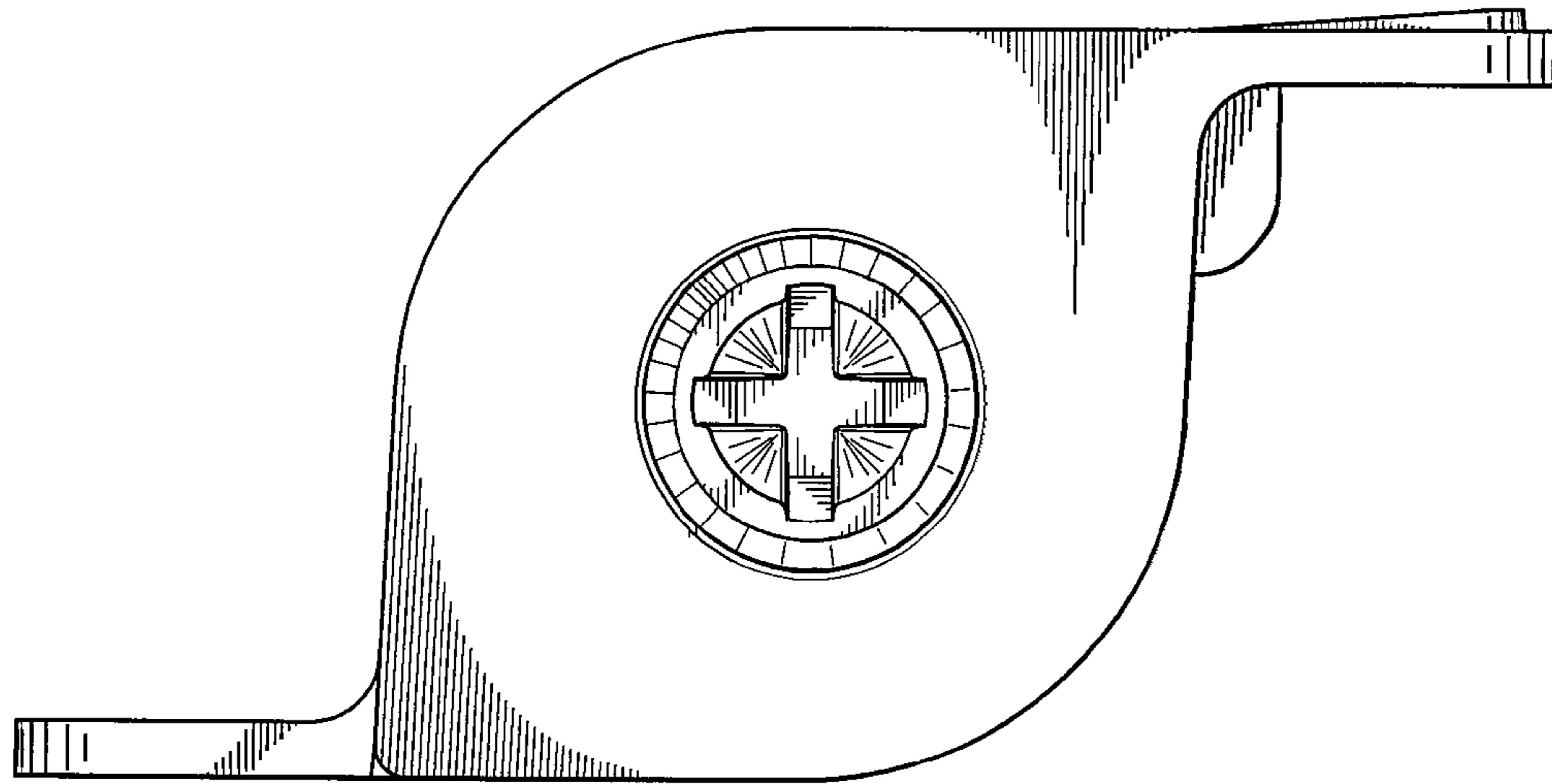


Fig. 5.

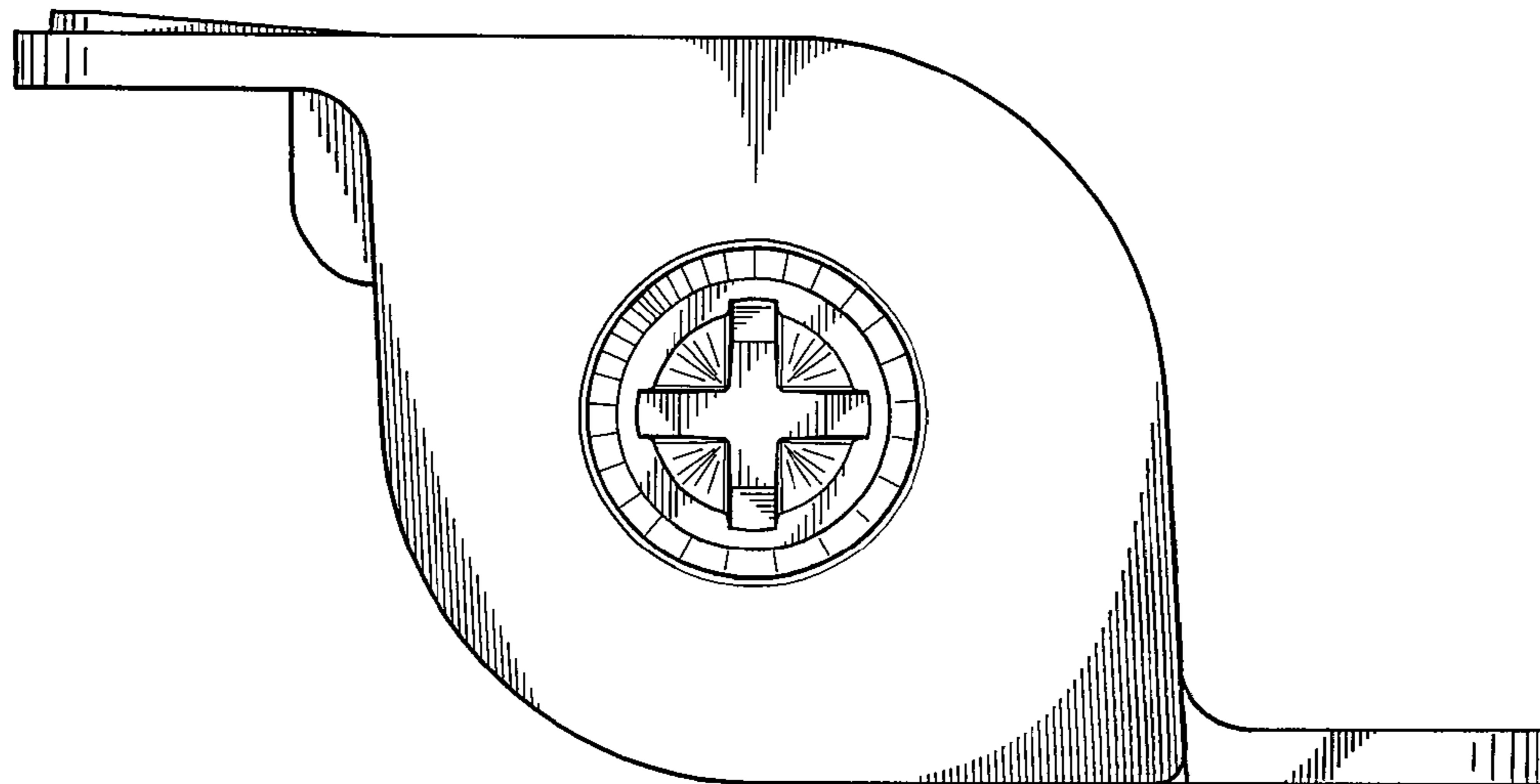


Fig. 6.

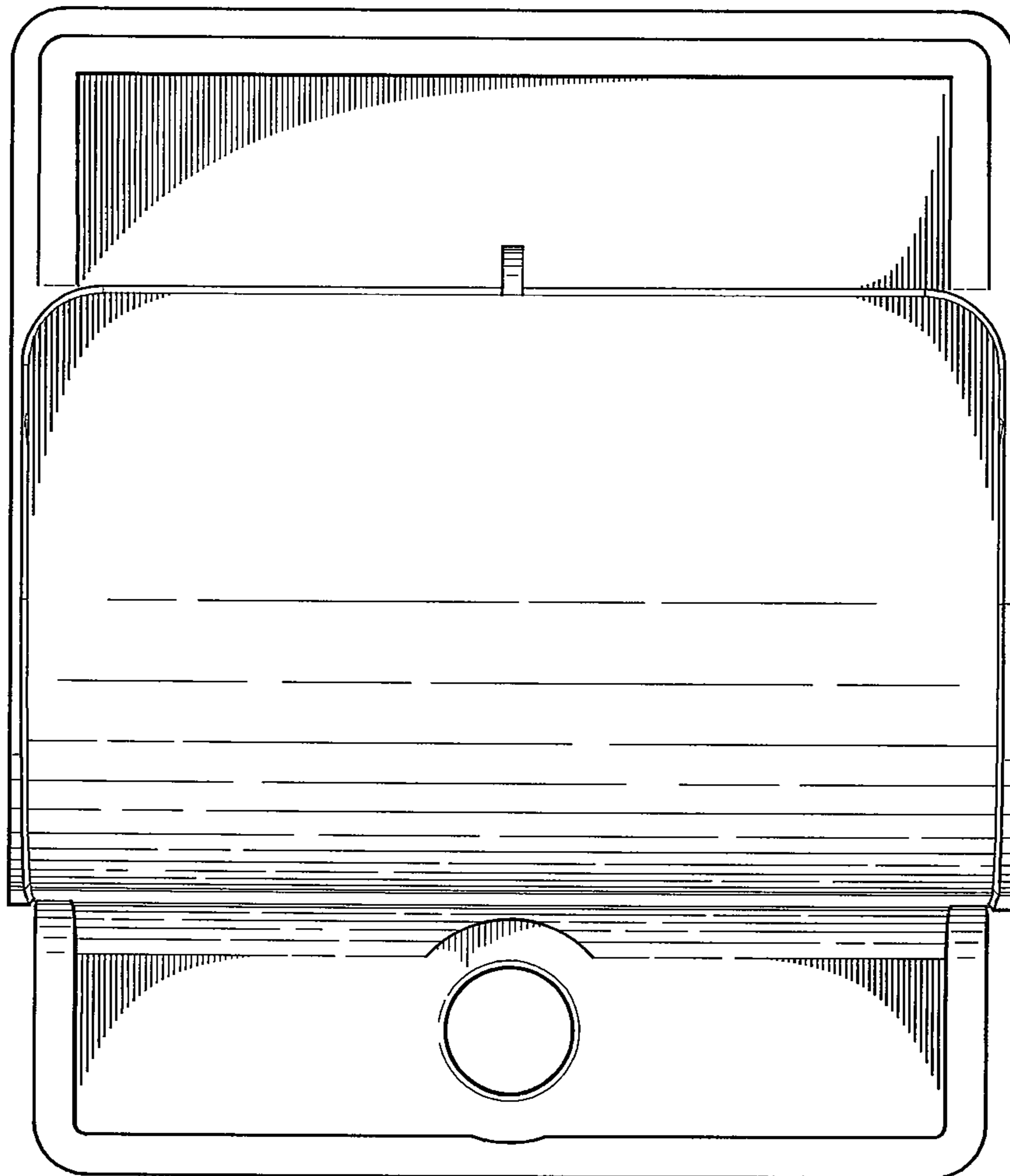


Fig. 7.

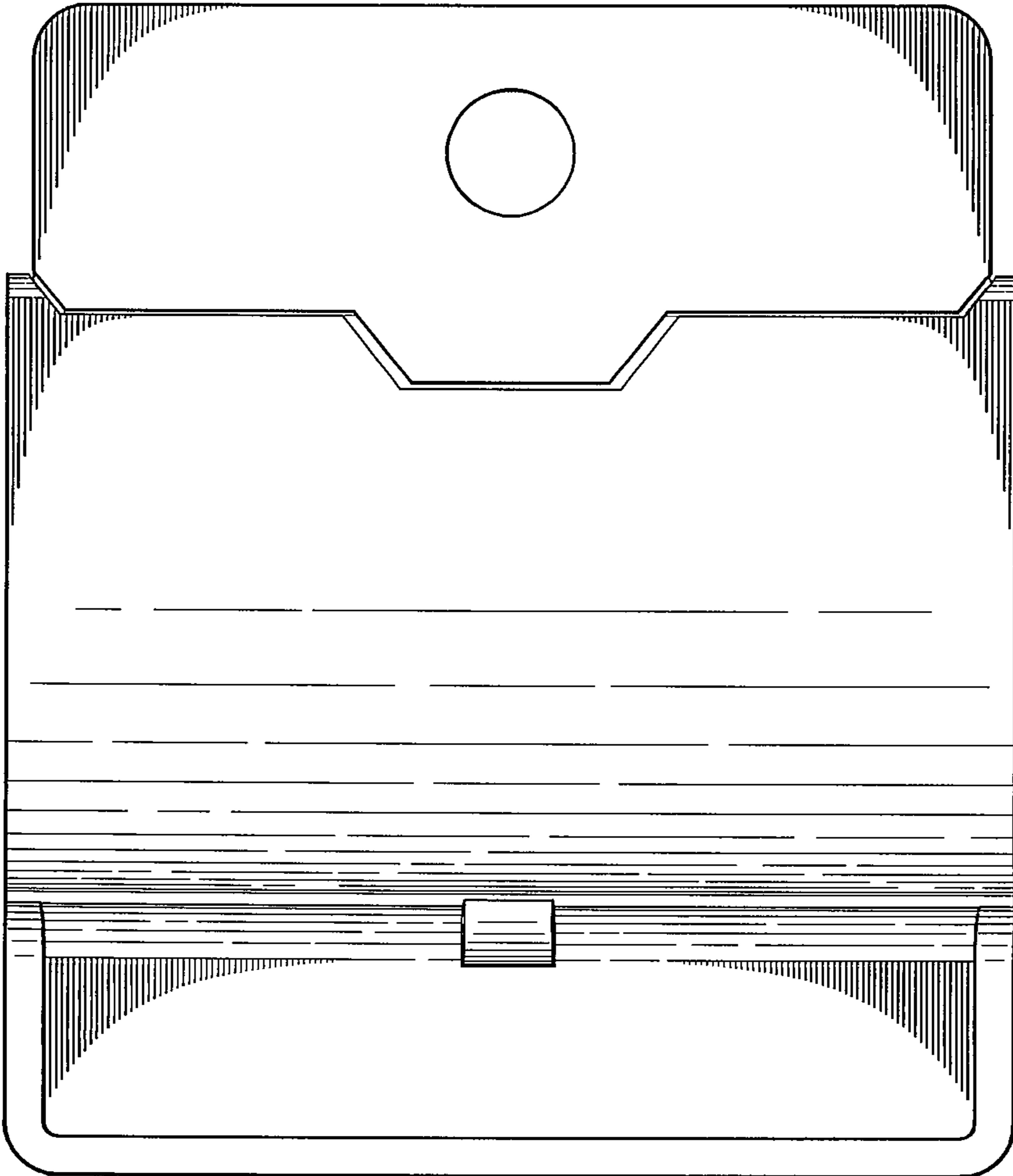


Fig. 8.