



US00D700234S

(12) **United States Design Patent**  
**Fuchs**

(10) **Patent No.:** **US D700,234 S**

(45) **Date of Patent:** **\*\* Feb. 25, 2014**

(54) **CLIP-ON SUNGLASSES**

(71) Applicant: **Silhouette International Schmied AG,**  
Linz (AT)

(72) Inventor: **Gerhard Fuchs,** Kauns (AT)

(73) Assignee: **Silhouette International Schmied AG,**  
Linz (AT)

(\*\*) Term: **14 Years**

(21) Appl. No.: **29/461,684**

(22) Filed: **Jul. 26, 2013**

(30) **Foreign Application Priority Data**

Apr. 30, 2013 (EM) ..... 002229963

(51) **LOC (10) Cl.** ..... **16-06**

(52) **U.S. Cl.**  
USPC ..... **D16/330; D16/900**

(58) **Field of Classification Search**  
USPC ..... D16/101, 300-342, 900; D29/109-110;  
351/41, 44, 51-52, 62, 158, 92,  
351/103-123, 140-153, 45-46; 2/426-432,  
2/447-449, 441, 434-437, 13, 15;  
D21/483, 659-661; D14/372

See application file for complete search history.

(56) **References Cited**

U.S. PATENT DOCUMENTS

2,714,717 A *	8/1955	Allman	.....	2/13
D322,262 S *	12/1991	Manus	.....	D16/315
D345,367 S *	3/1994	Wulf	.....	D16/316
7,033,018 B2 *	4/2006	Ifergan	.....	351/47
7,144,108 B2 *	12/2006	Lee	.....	351/47
7,762,660 B2 *	7/2010	Salk	.....	351/47
D649,180 S *	11/2011	Lane	.....	D16/330

\* cited by examiner

*Primary Examiner* — Raphael Barkai

(74) *Attorney, Agent, or Firm* — Alston & Bird LLP

(57) **CLAIM**

I claim the ornamental design for clip-on sunglasses, as shown and described.

**DESCRIPTION**

FIG. 1 is a front elevation view of clip-on sunglasses showing my new design;

FIG. 2 is a rear elevation view thereof;

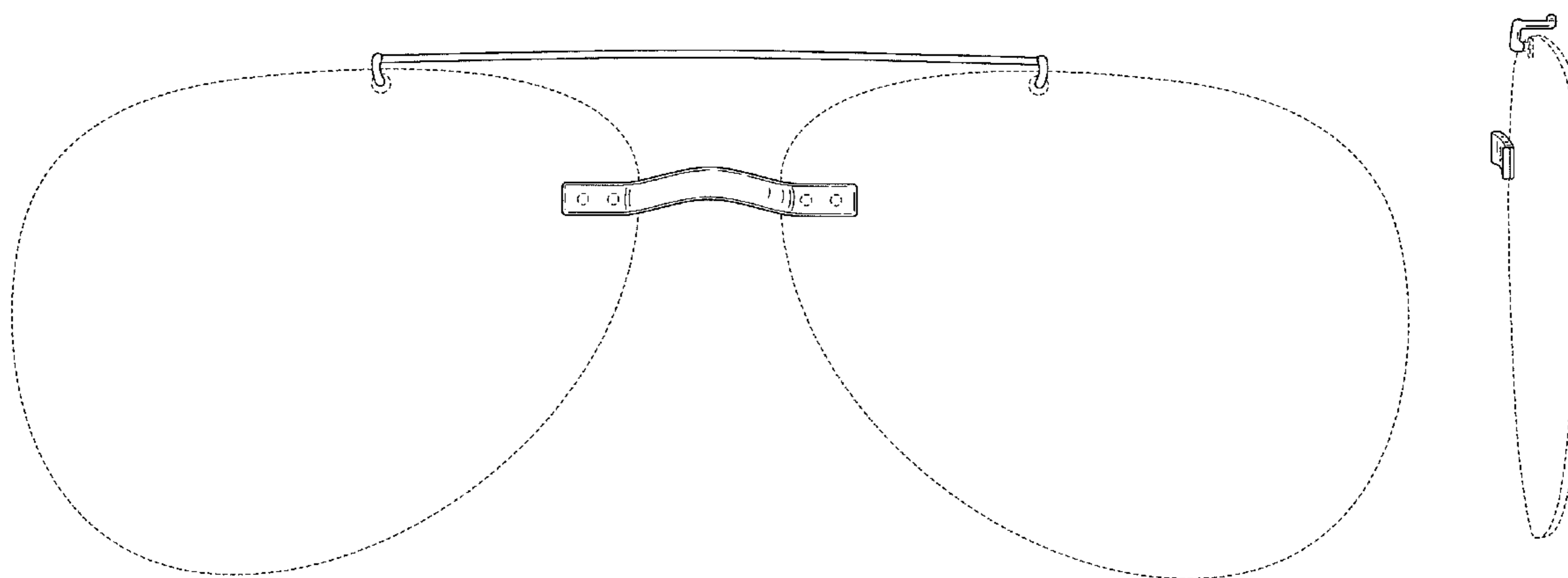
FIG. 3 is a top plan view thereof;

FIG. 4 is a bottom plan view thereof; and,

FIG. 5 is a left side elevation view thereof, the right side being a mirror image thereof.

The broken lines are directed to environment or unclaimed features. The broken lines form no part of the claimed design.

**1 Claim, 4 Drawing Sheets**



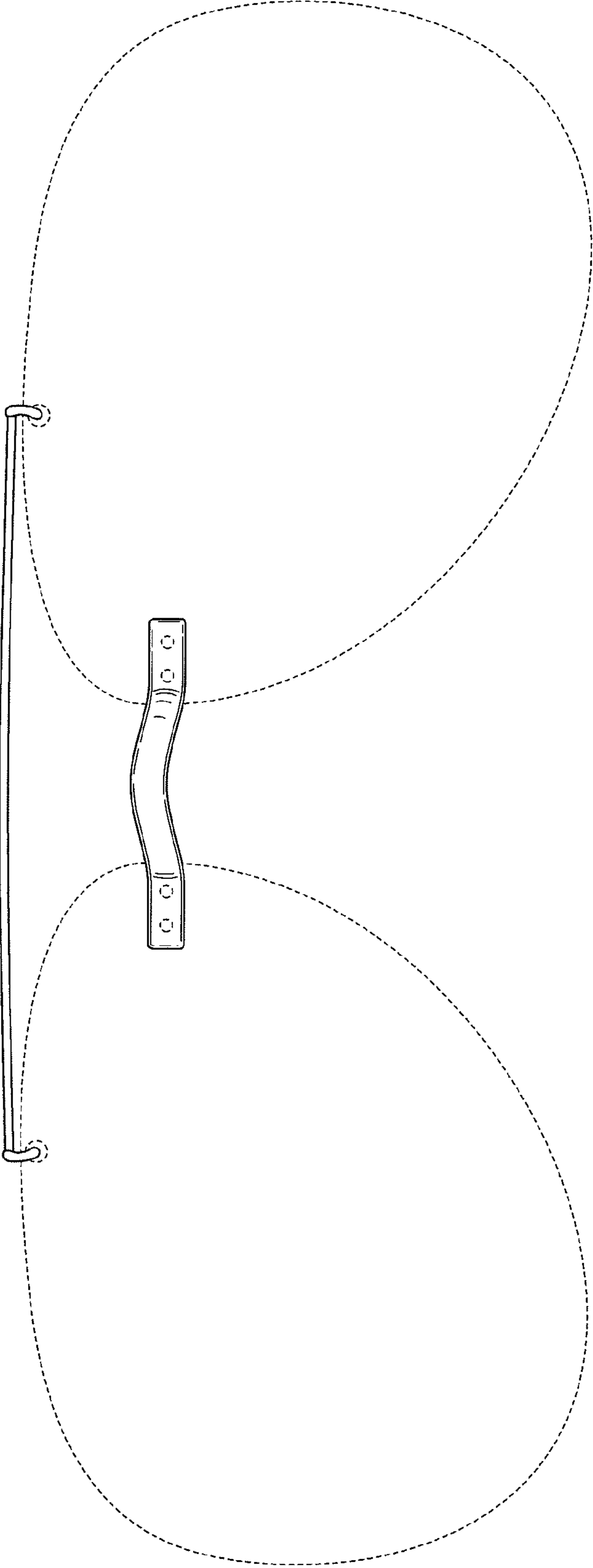


FIG. 1

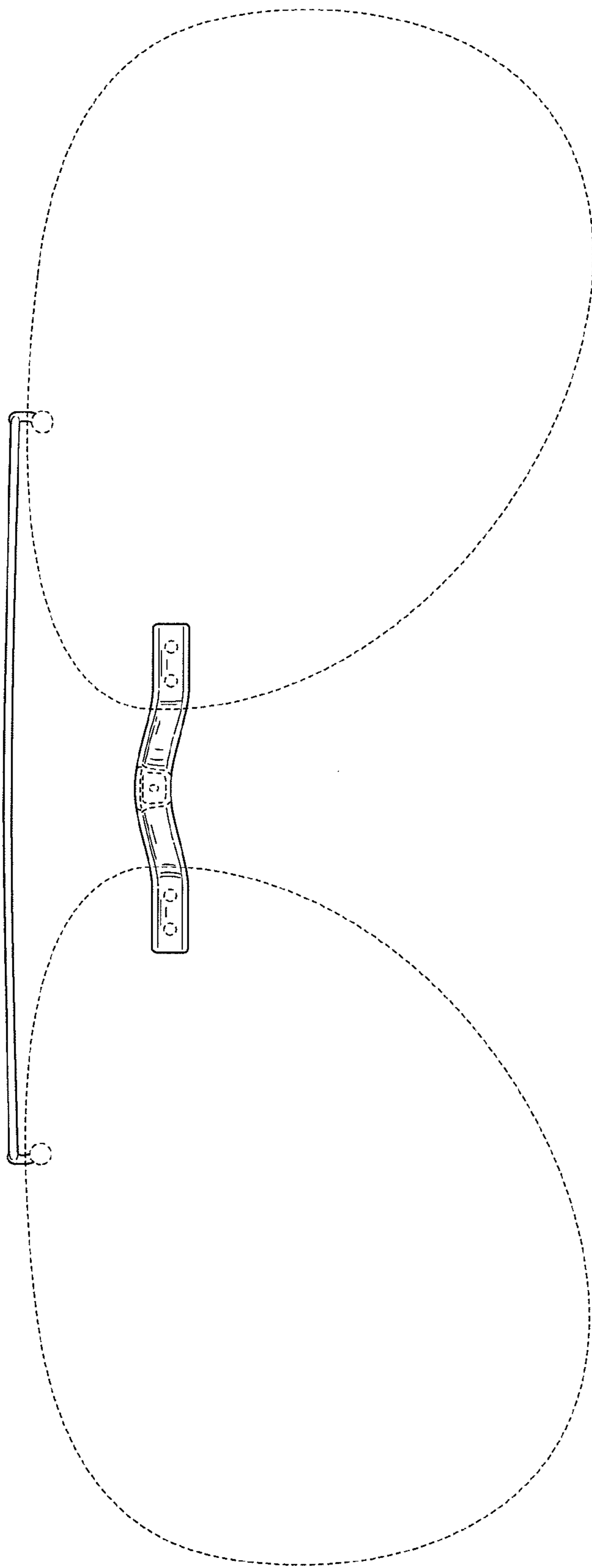


FIG. 2

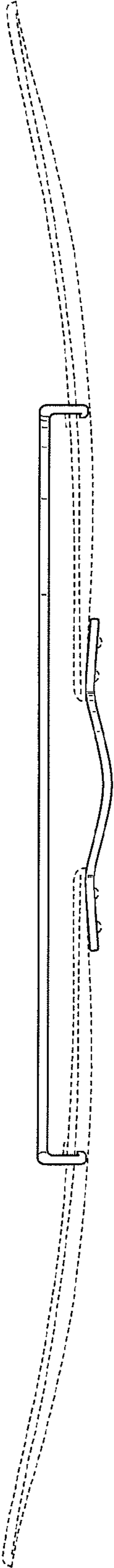


FIG. 3

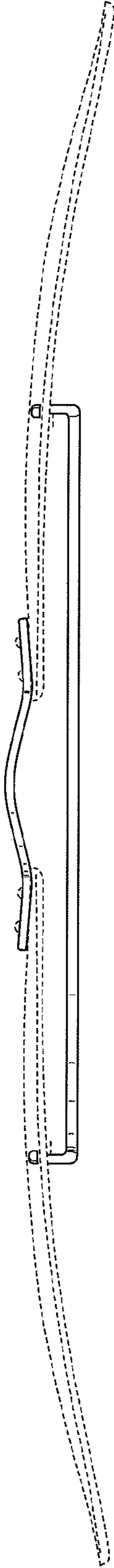
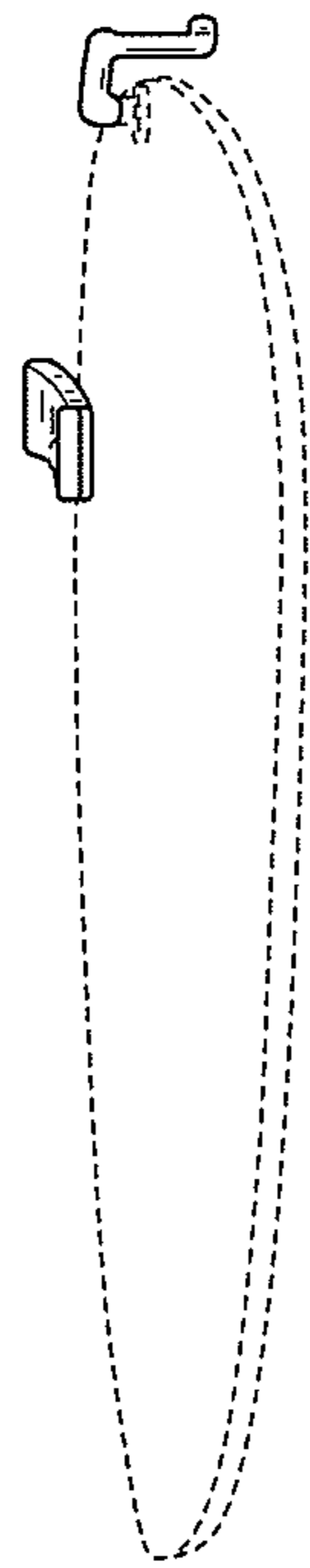


FIG. 4



**FIG. 5**