

US00D700232S

(12) **United States Design Patent**
Ramsay et al.

(10) **Patent No.:** **US D700,232 S**

(45) **Date of Patent:** **** Feb. 25, 2014**

(54) **SPHERICAL IMAGING SYSTEM**

(71) Applicant: **Bubl Technology Inc.**, Toronto (CA)

(72) Inventors: **Sean Geoffrey Ramsay**, Toronto (CA);
Daniel Chantal Mills, Toronto (CA);
Dylan Stephen Horvath, Toronto (CA);
Scott Andrew Robinson Bodaly,
Toronto (CA)

(73) Assignee: **Bubl Technology Inc.**, Toronto, Ontario
(CA)

(**) Term: **14 Years**

(21) Appl. No.: **29/436,891**

(22) Filed: **Nov. 9, 2012**

(51) **LOC (10) Cl.** **16-01**

(52) **U.S. Cl.**

USPC **D16/218**; D16/207

(58) **Field of Classification Search**

USPC D16/200, 202, 203, 204, 207, 210, 218;
348/36, 38, 373; 396/427, 428, 535

See application file for complete search history.

(56) **References Cited**

U.S. PATENT DOCUMENTS

5,023,725 A * 6/1991 McCutchen 348/38
5,703,604 A * 12/1997 McCutchen 348/36
6,141,034 A * 10/2000 McCutchen 348/36
D442,617 S * 5/2001 Ohmori et al. D16/207

D516,105 S * 2/2006 Bradley et al. D16/202
7,429,997 B2 * 9/2008 Givon 348/38
D667,861 S * 9/2012 Artonne et al. D16/218
D690,344 S * 9/2013 Hollinger D16/200
2012/0263450 A1 * 10/2012 Totani 396/428

* cited by examiner

Primary Examiner — Adir Aronovich

(74) *Attorney, Agent, or Firm* — D. Peter Hochberg; Sean F.
Mellino; Richard A. Wolf

(57) **CLAIM**

The ornamental design for the spherical imaging system, as
shown and described.

DESCRIPTION

FIG. 1 is a top perspective view of a spherical imaging system
showing our new design.

FIG. 2 is a bottom perspective view of the spherical imaging
system.

FIG. 3 is a first side elevational view of a spherical imaging
system.

FIG. 4 is a second side elevational view of a spherical imaging
system.

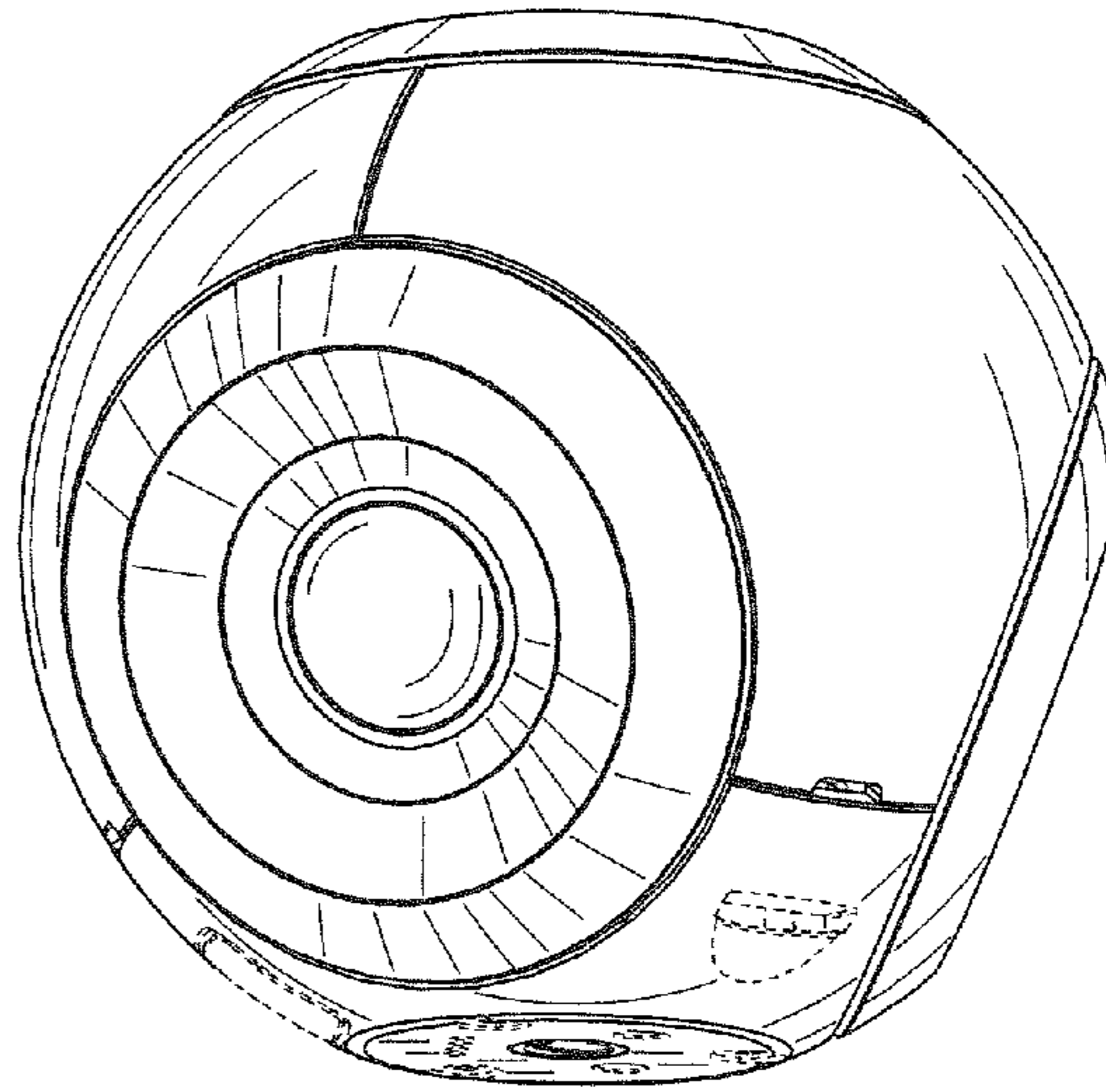
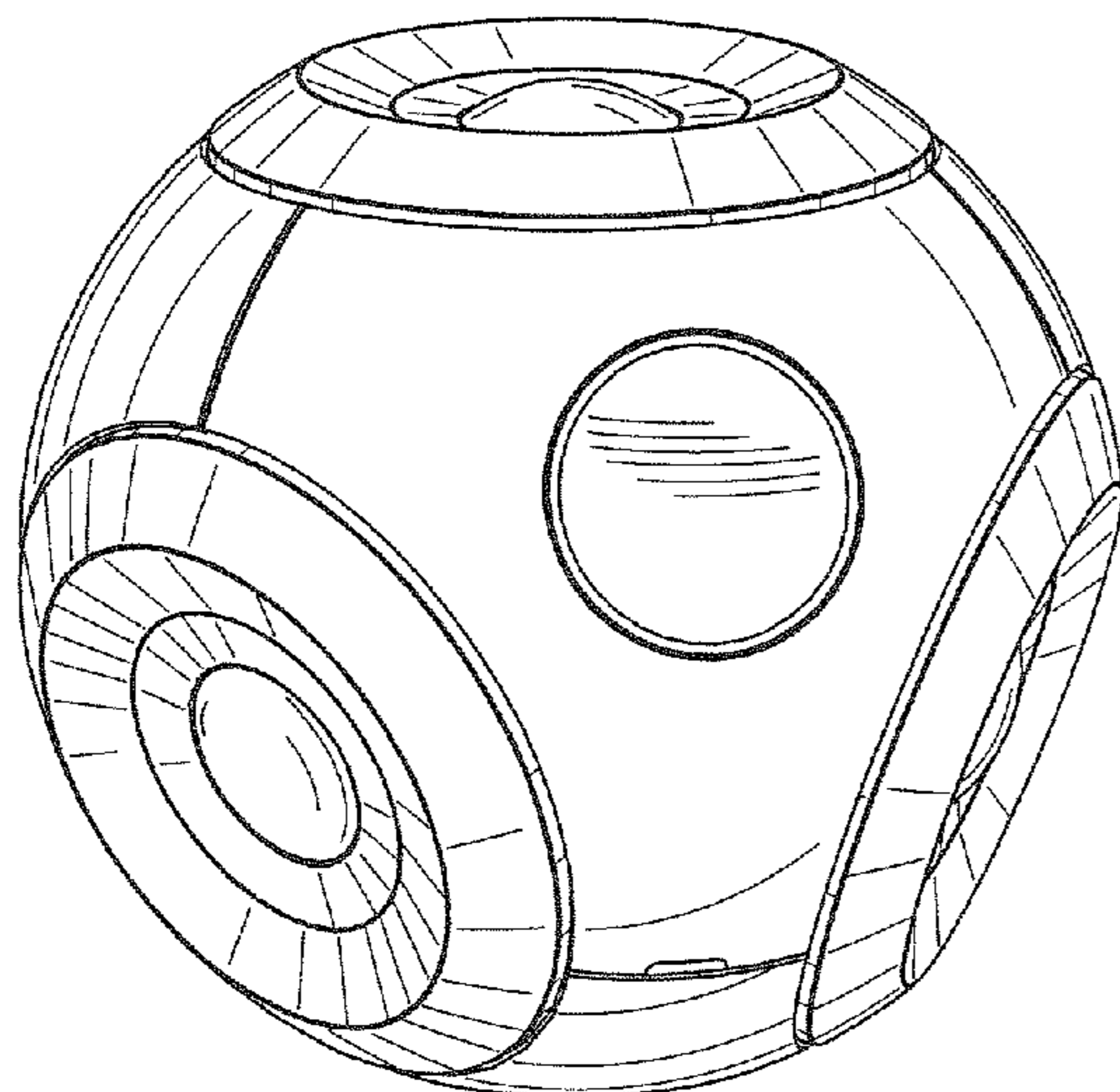
FIG. 5 is a third side elevational view of a spherical imaging
system.

FIG. 6 is a fourth side elevational view of a spherical imaging
system.

FIG. 7 is a top plan view of the spherical imaging system; and,
FIG. 8 is a bottom plan view of the spherical imaging system.

This claim is directed to a spherical imaging system. The
broken lines in FIGS. 2, 3, 5, 6 and 8 are shown for illustrative
purposes only and form no part of the claimed design.

1 Claim, 4 Drawing Sheets



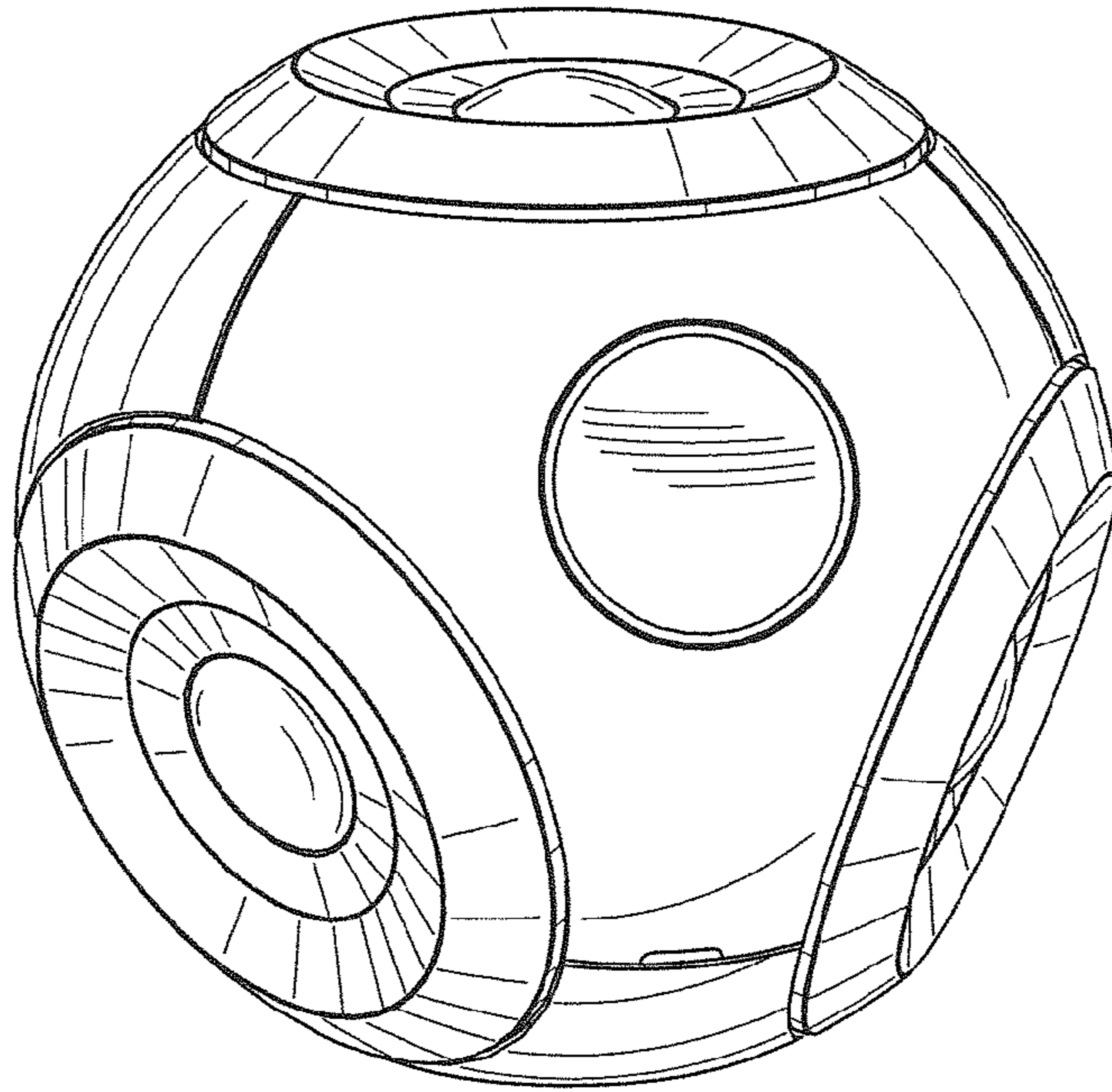


FIG. 1

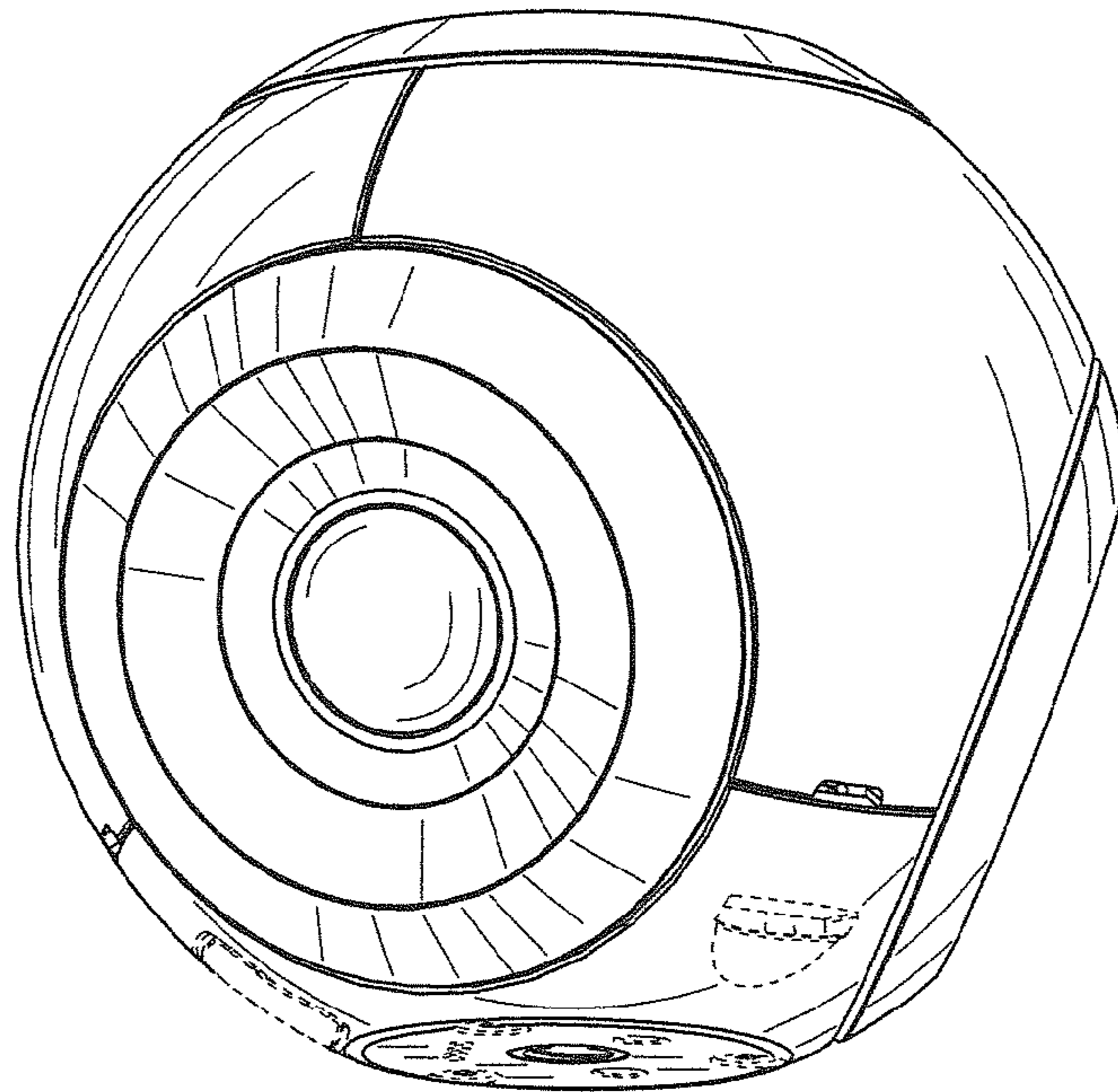


FIG. 2

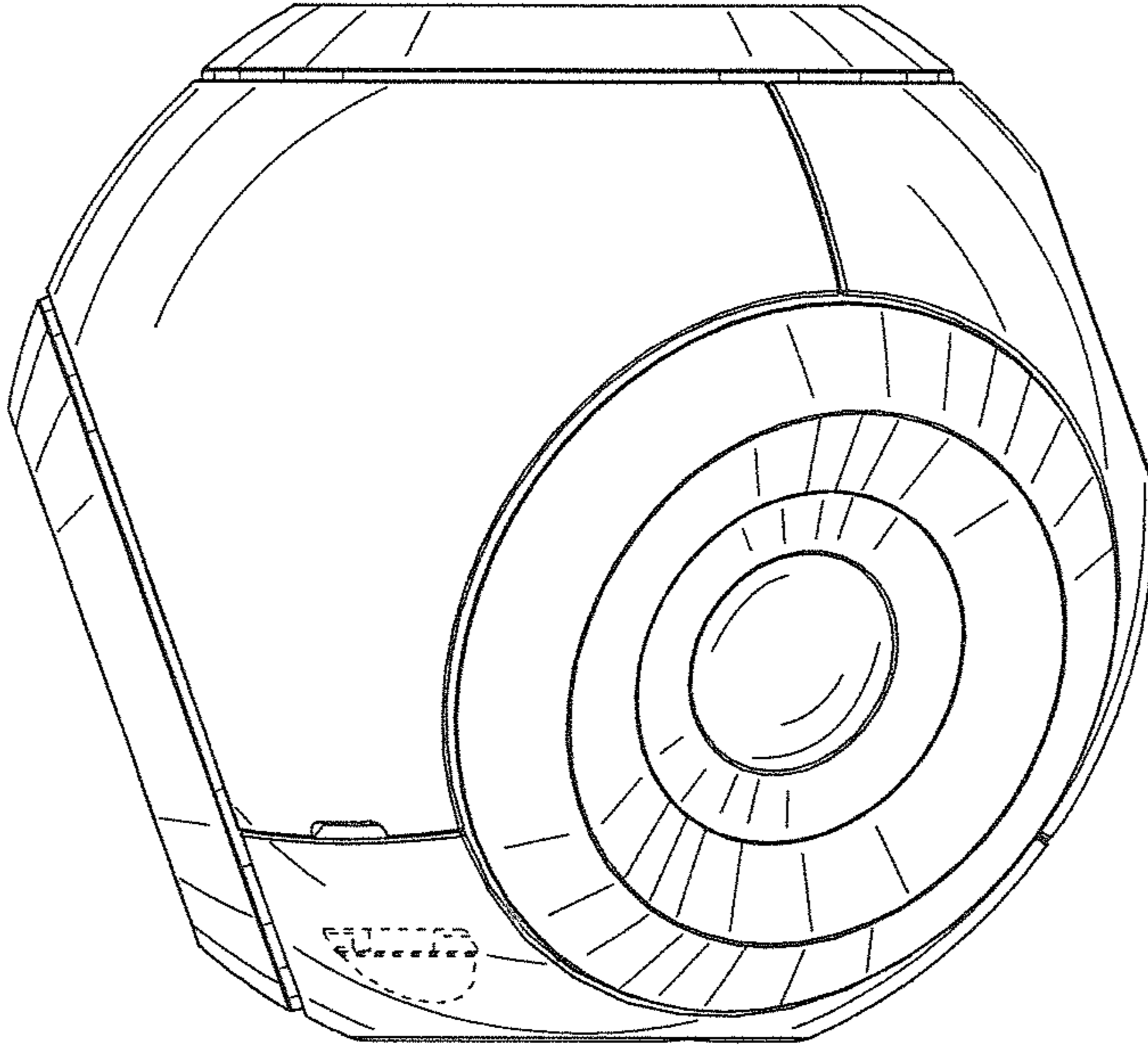


FIG. 3

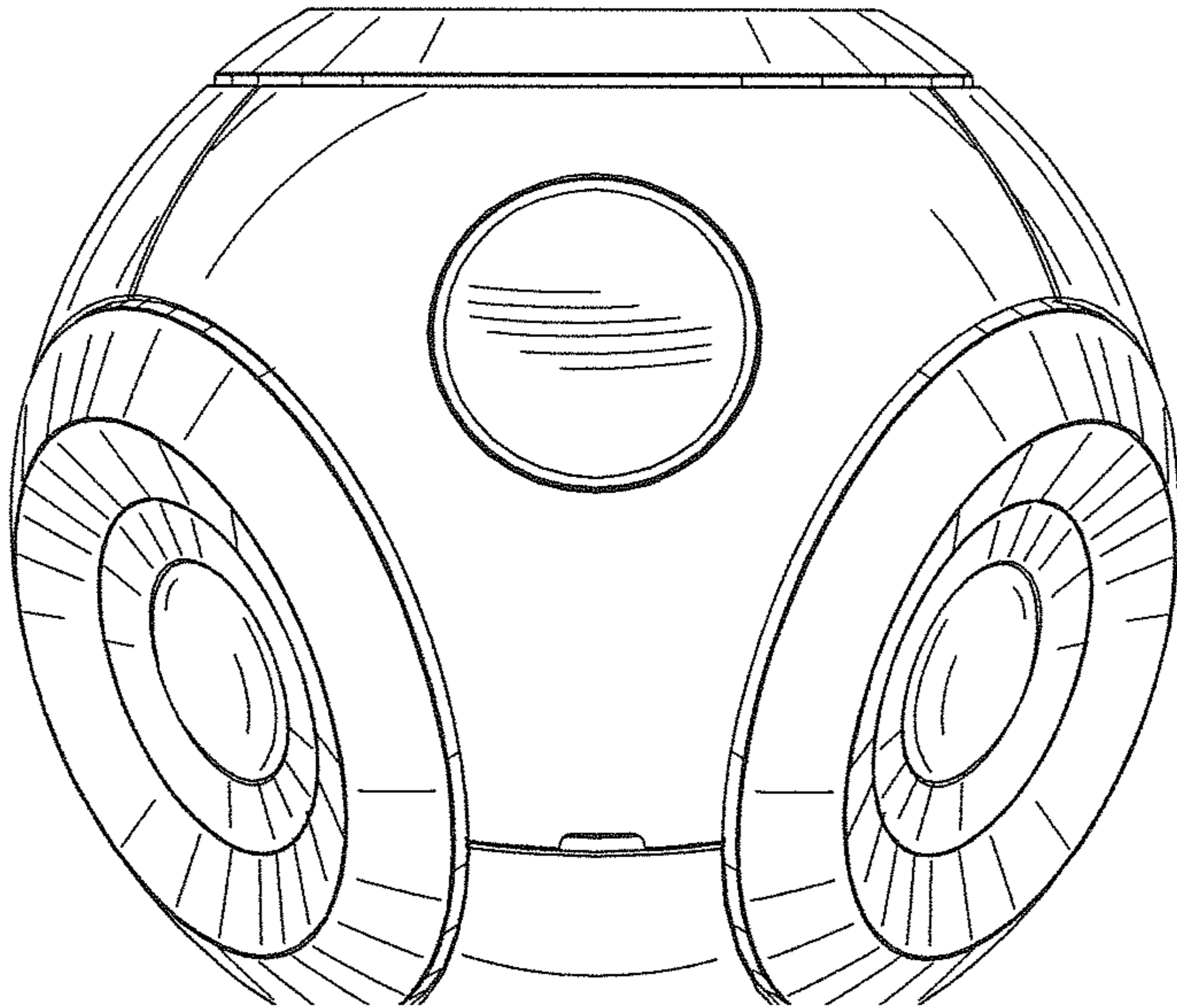


FIG. 4

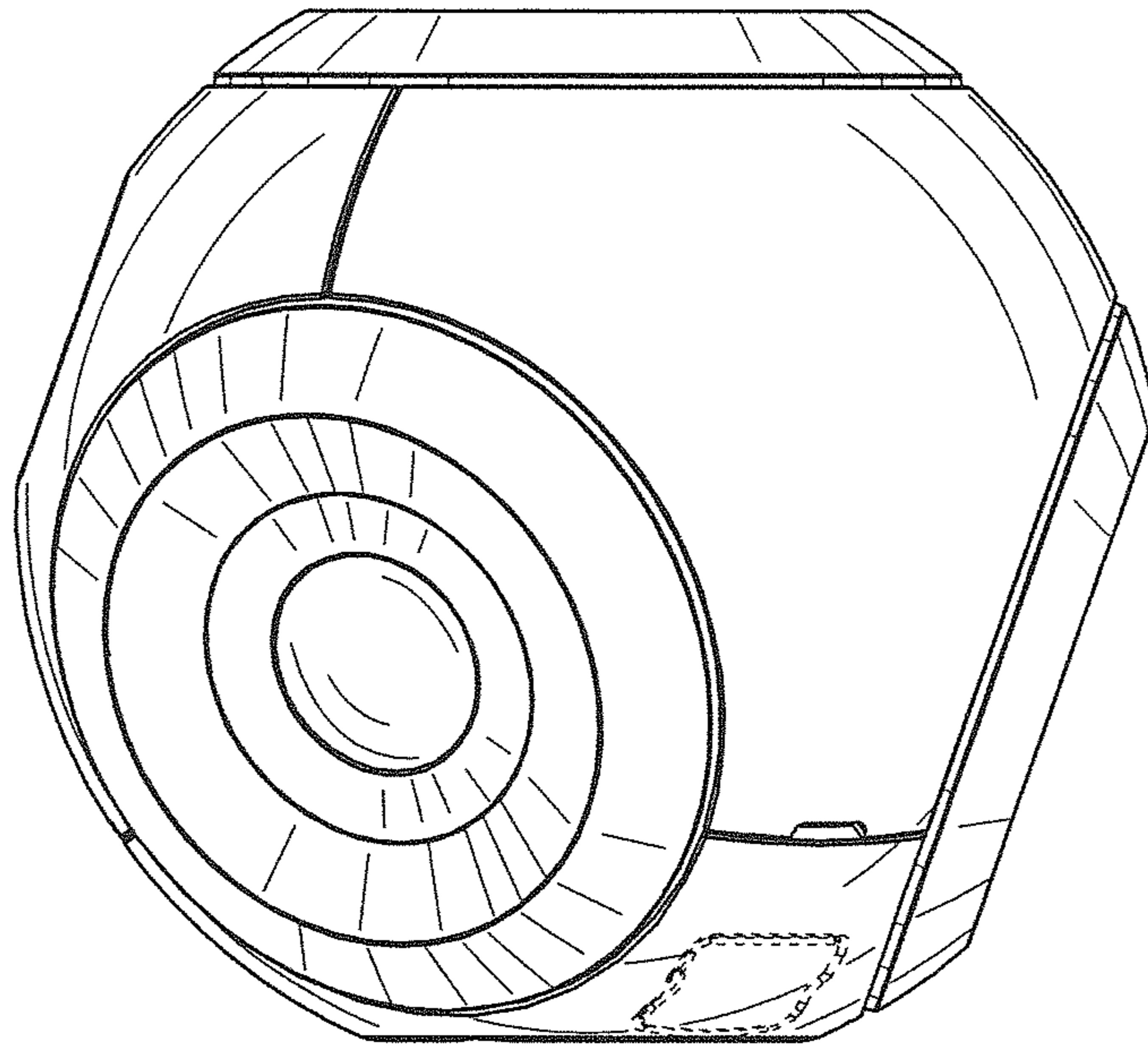


FIG. 5

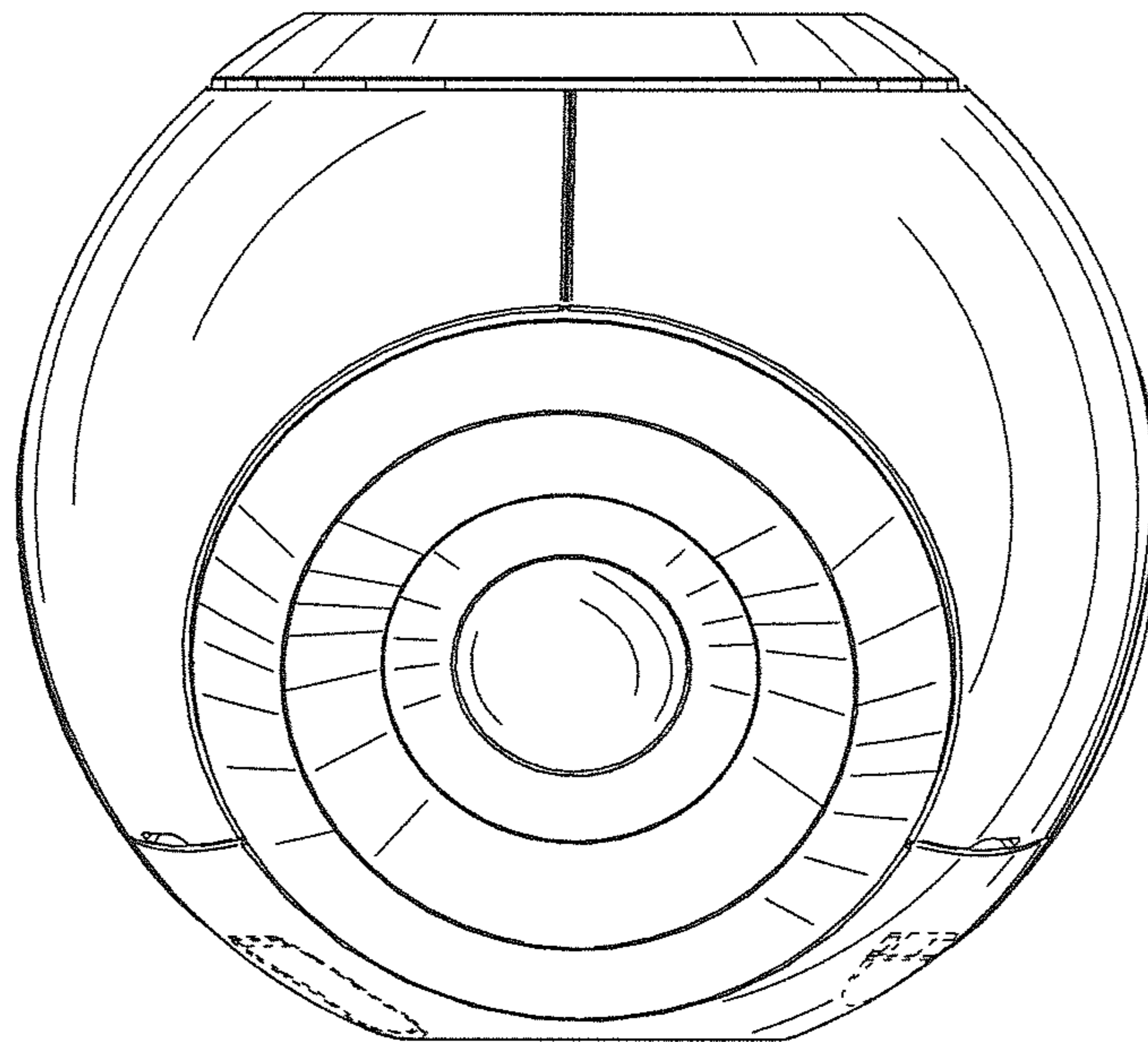


FIG. 6

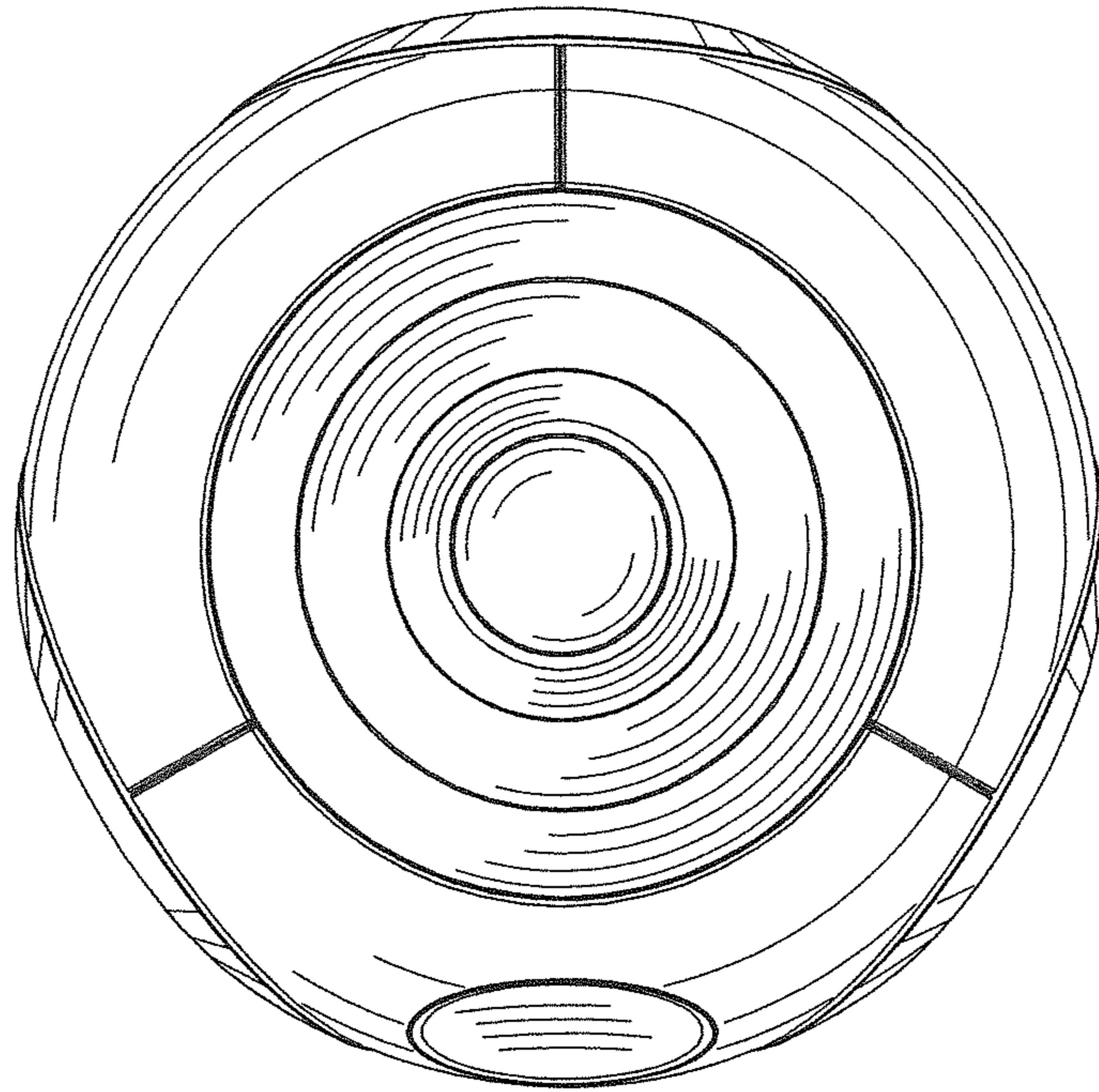


FIG. 7

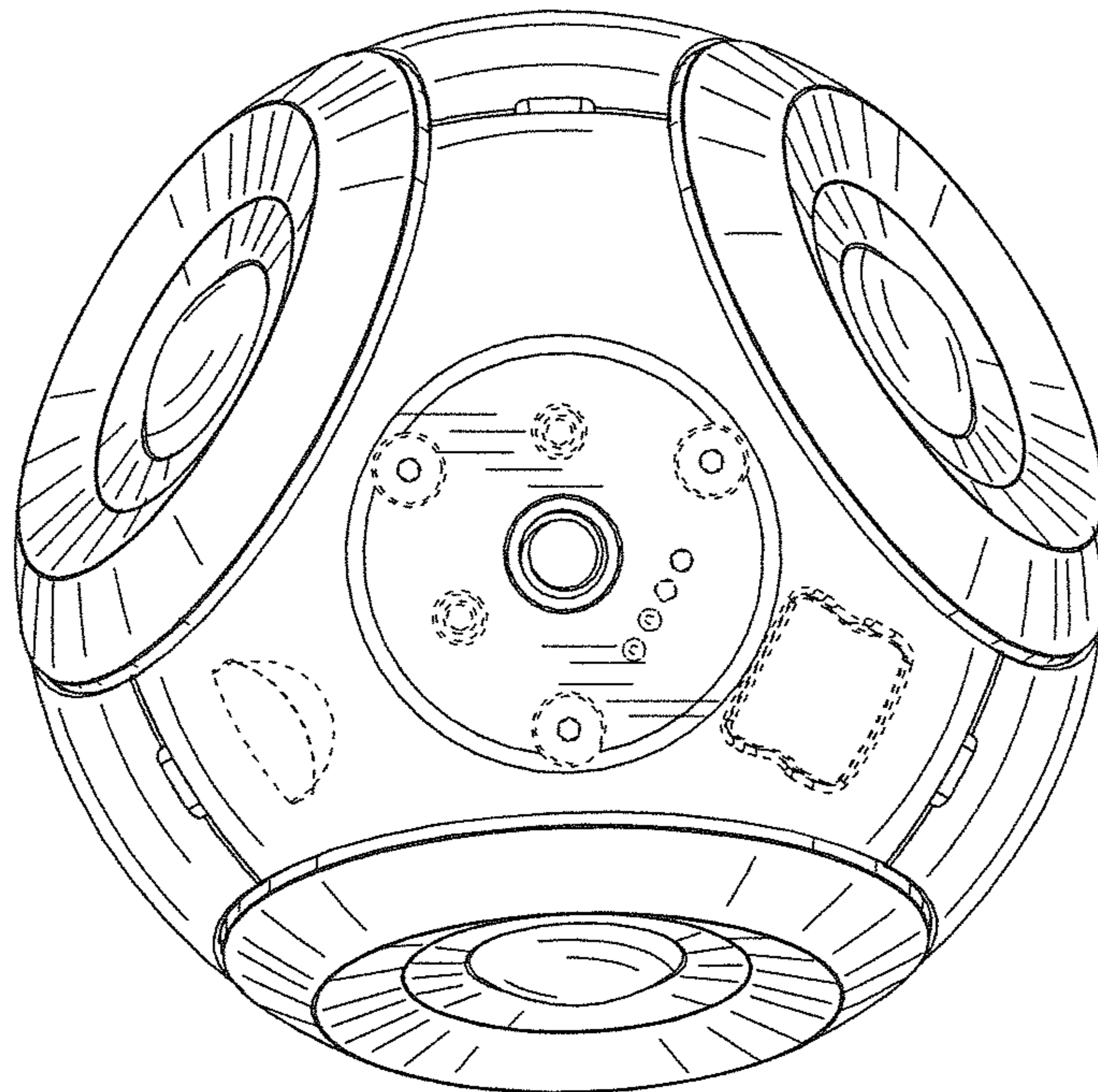


FIG. 8

UNITED STATES PATENT AND TRADEMARK OFFICE
CERTIFICATE OF CORRECTION

PATENT NO. : D700,232 S
APPLICATION NO. : 29/436891
DATED : February 25, 2014
INVENTOR(S) : Sean Geoffrey Ramsay et al.

Page 1 of 2

It is certified that error appears in the above-identified patent and that said Letters Patent is hereby corrected as shown below:

In the drawings

Delete drawing sheet 2 of 4, and substitute the attached drawing sheet therefor.

Signed and Sealed this
Twenty-seventh Day of May, 2014



Michelle K. Lee
Deputy Director of the United States Patent and Trademark Office

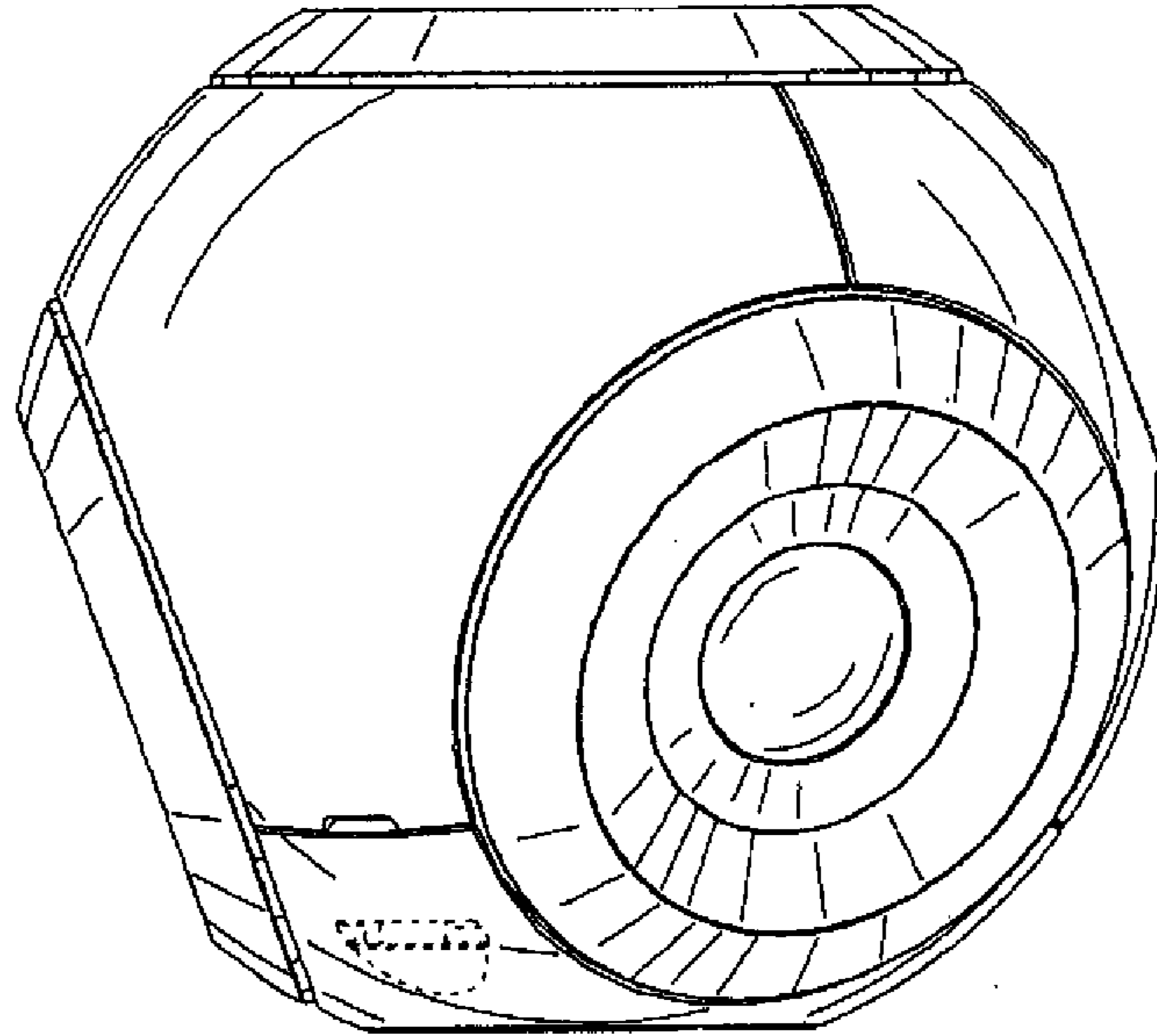


FIG. 3

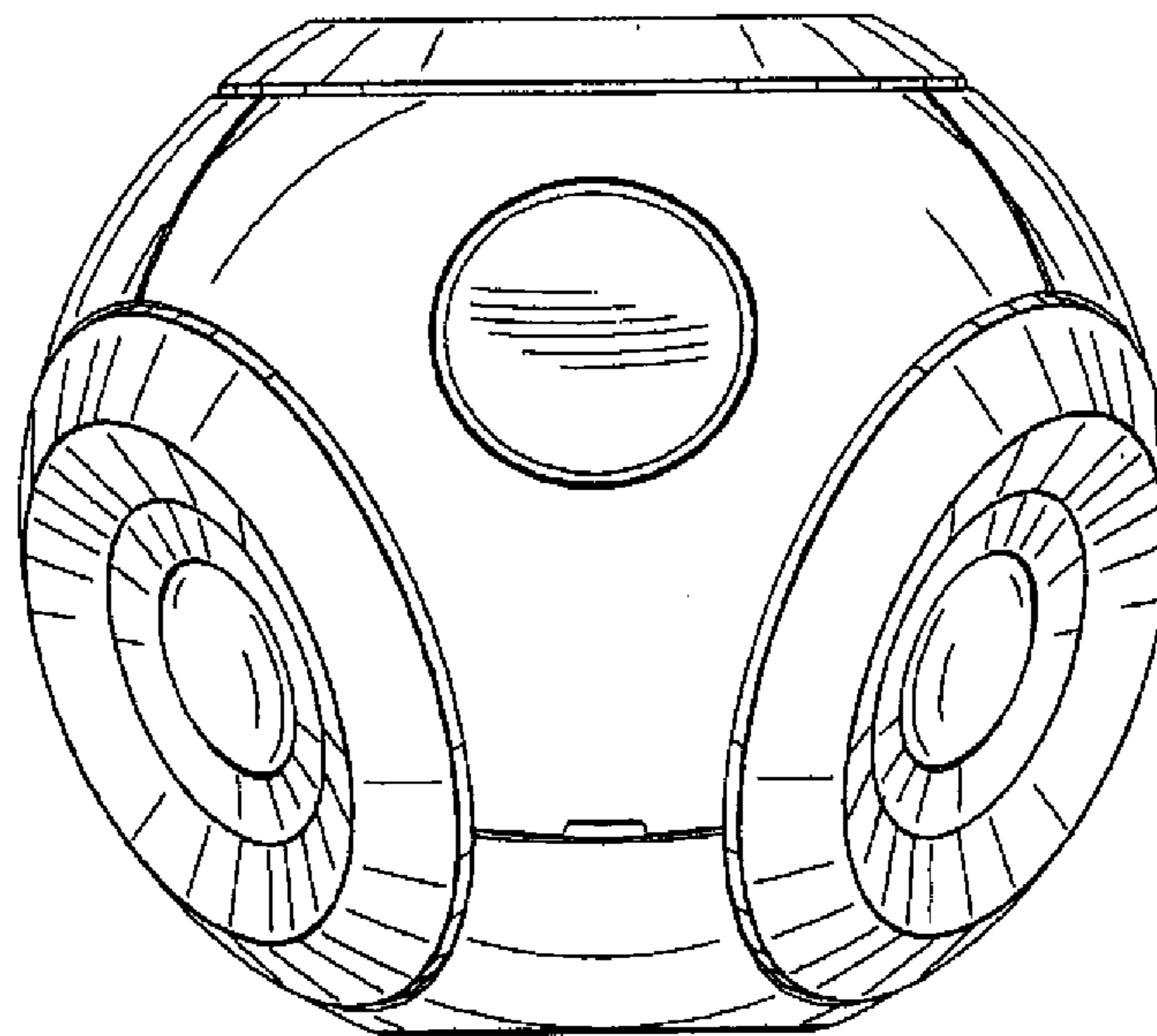


FIG. 4