



US00D700231S

(12) **United States Design Patent**
Berkmortel

(10) **Patent No.:** **US D700,231 S**

(45) **Date of Patent:** **** Feb. 25, 2014**

(54) **CAMERA**

(75) **Inventor:** **Ben Bermortel**, Surrey (CA)

(73) **Assignee:** **Seon Design Inc**, Coquitlam, British Columbia (CA)

(**) **Term:** **14 Years**

(21) **Appl. No.:** **29/411,494**

(22) **Filed:** **Jan. 21, 2012**

(30) **Foreign Application Priority Data**

Jan. 12, 2012 (CA) 143912

(51) **LOC (10) Cl.** **16-01**

(52) **U.S. Cl.**
USPC **D16/203**

(58) **Field of Classification Search**
USPC D16/200, 201, 202, 203, 204, 205, 206,
D16/208, 214, 218, 219, 235, 241, 242, 243,
D16/244, 245, 249, 250; D14/372, 382;
348/42, 46, 47, 48, 326, 327, 328;
396/6, 25, 419, 427, 535, 536, 537,
396/538, 539, 540, 541; 382/154; 352/242,
352/243

See application file for complete search history.

(56) **References Cited**

U.S. PATENT DOCUMENTS

D217,153 S * 4/1970 Adkins et al. D16/203
D282,068 S * 1/1986 Claggett D16/202
D320,028 S * 9/1991 Sedighzadeh et al. D16/203
D334,763 S * 4/1993 Sedighzadeh et al. D16/203
D339,149 S * 9/1993 Nakamura et al. D16/202
D354,973 S * 1/1995 Hisatune et al. D16/203
D403,340 S * 12/1998 Arbuckle D16/203

D410,936 S * 6/1999 Isono D16/202
D413,105 S * 8/1999 Jobs et al. D14/382
D416,032 S * 11/1999 Bakshi D16/203
D432,126 S * 10/2000 Goo D14/374
D452,501 S * 12/2001 Chang D14/379
6,392,704 B1 * 5/2002 Garcia-Ortiz 348/373
D487,764 S * 3/2004 Adachi et al. D16/203
D493,454 S * 7/2004 Andre et al. D14/336
D508,064 S * 8/2005 Ramirez D16/200
D556,233 S * 11/2007 Webb et al. D16/203
D558,811 S * 1/2008 Higgins et al. D16/203
D563,448 S * 3/2008 Yamakawa D16/202
D565,073 S * 3/2008 Jeon D16/203
D606,572 S * 12/2009 Samson et al. D16/203
D607,033 S * 12/2009 Arbuckle et al. D16/203
D627,814 S * 11/2010 Tzeng et al. D16/202
D642,607 S * 8/2011 Bergstrom et al. D16/203
D643,452 S * 8/2011 Alm et al. D16/200
D672,382 S * 12/2012 Zeinoun et al. D16/203

* cited by examiner

Primary Examiner — Phillip S Hyder

(74) *Attorney, Agent, or Firm* — DWC Law Firm, P.S.;
David Chen

(57) **CLAIM**

The ornamental design for a camera, as shown and described.

DESCRIPTION

FIG. 1 is a front perspective view of the camera of the present disclosure.

FIG. 2 is a front elevation view thereof.

FIG. 3 is a rear elevation view thereof.

FIG. 4 is a right side elevation view thereof.

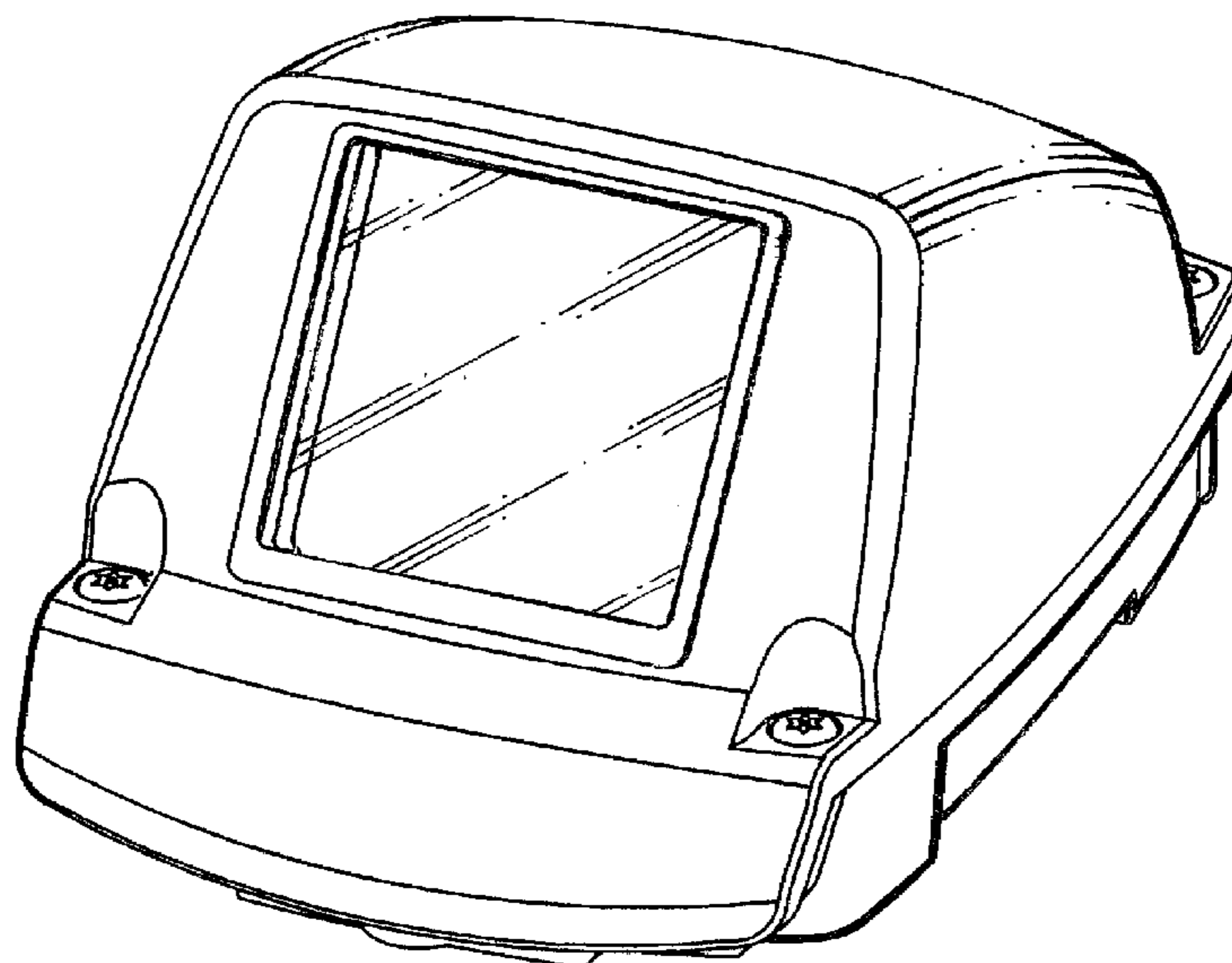
FIG. 5 is a left side elevation view thereof.

FIG. 6 is a top plan view thereof; and,

FIG. 7 is a bottom plan view thereof.

The broken lines are for illustrative purposes only and form no part of the claimed design.

1 Claim, 4 Drawing Sheets



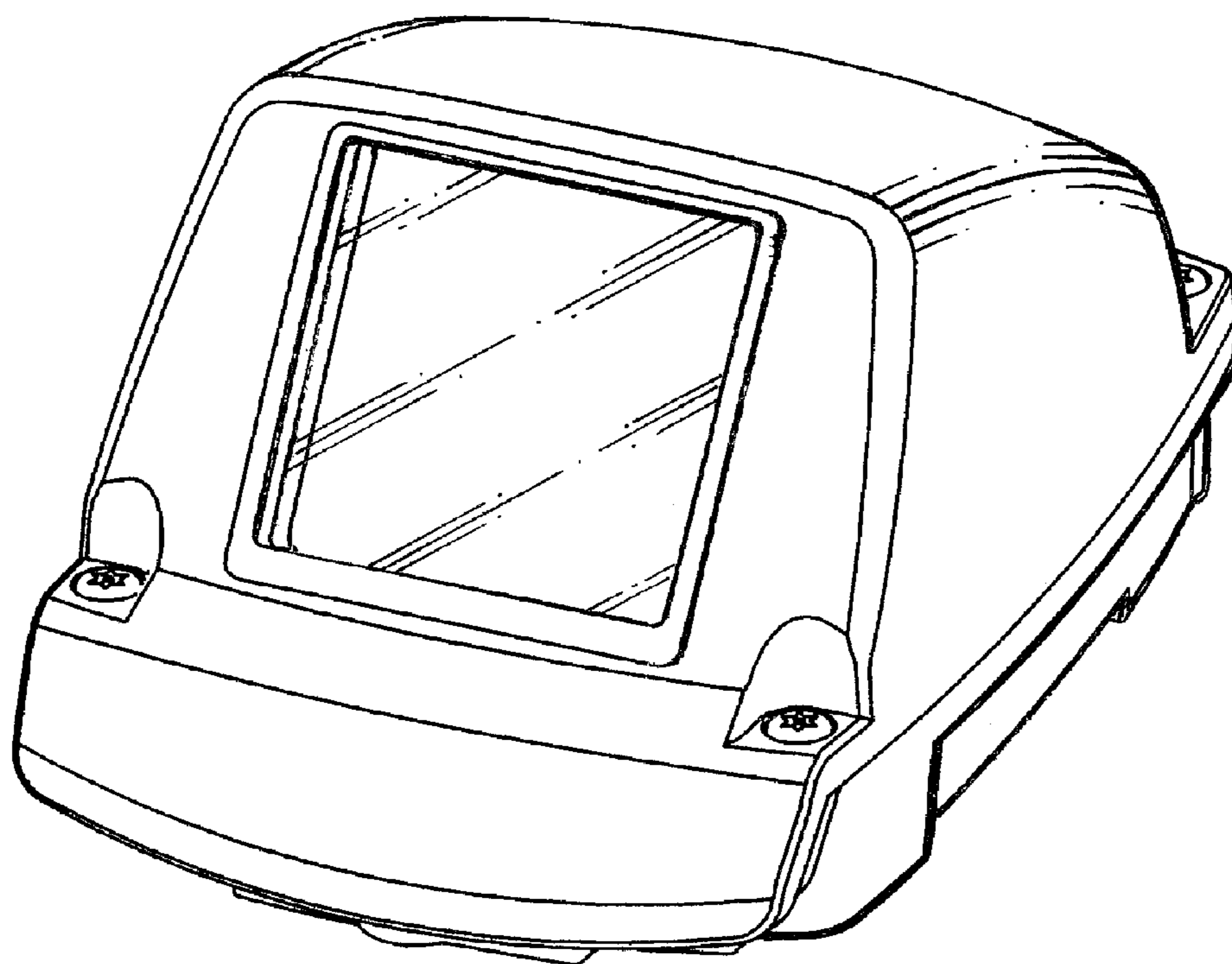


FIG. 1

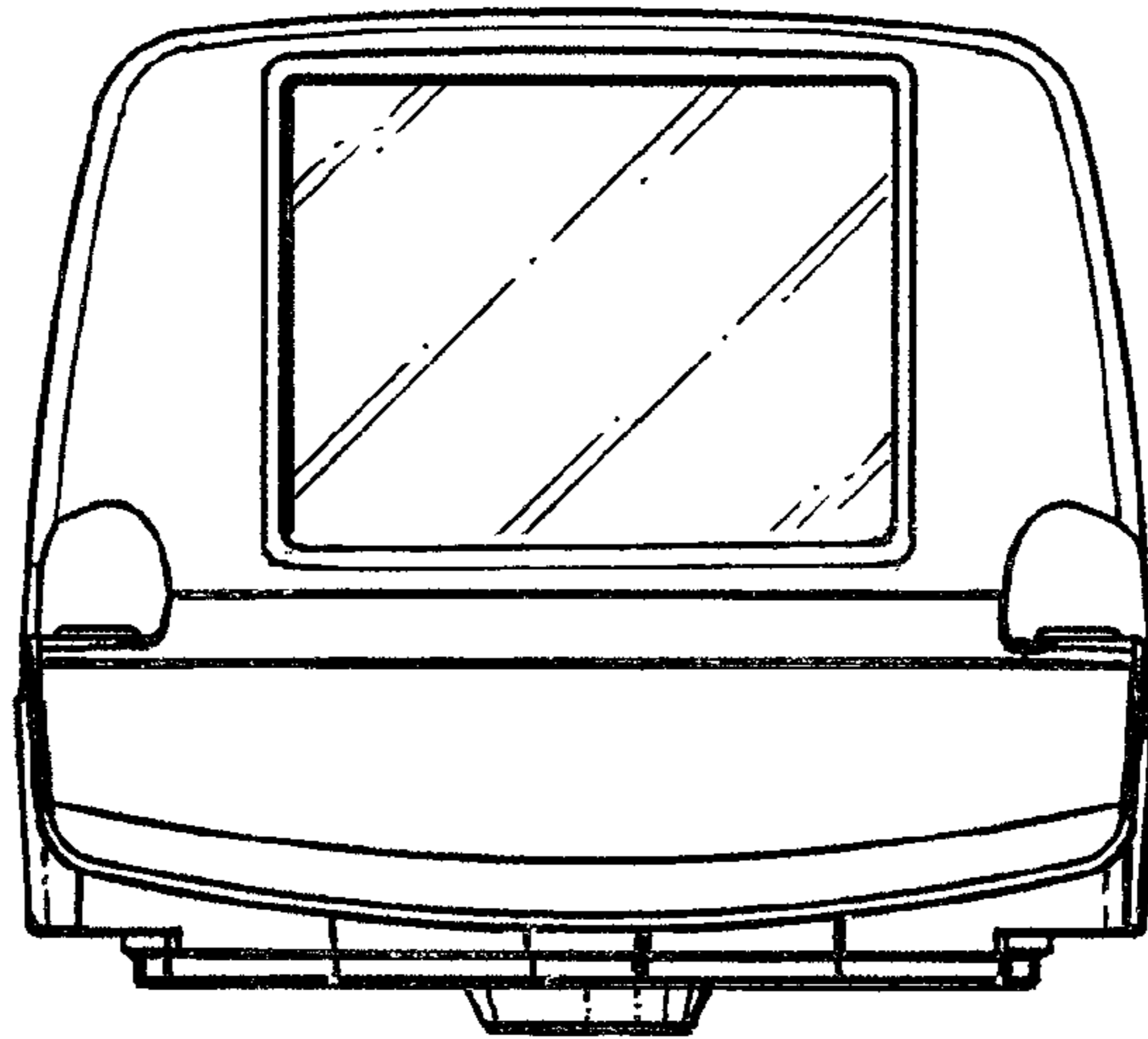


FIG. 2

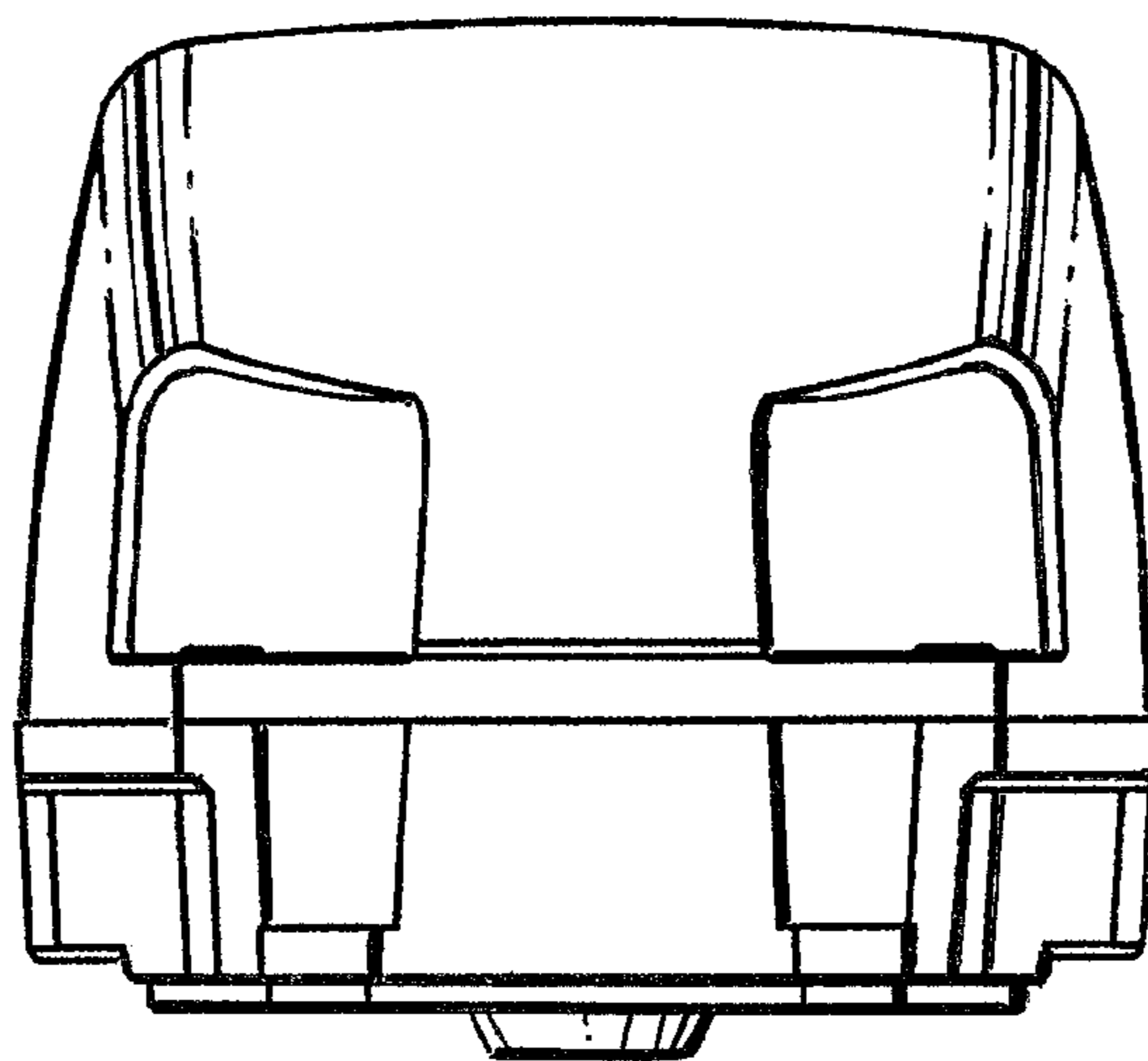


FIG. 3

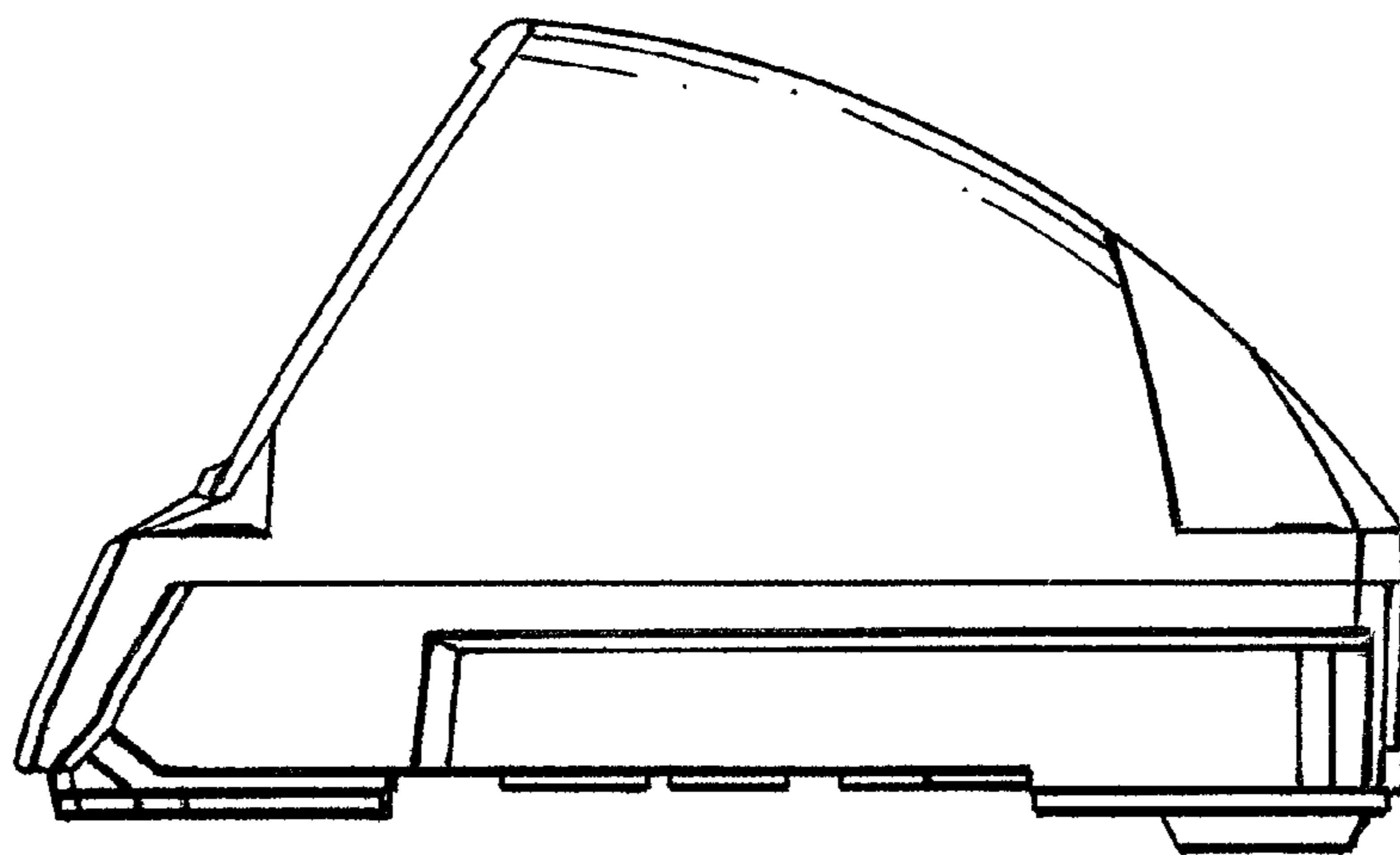


FIG. 4

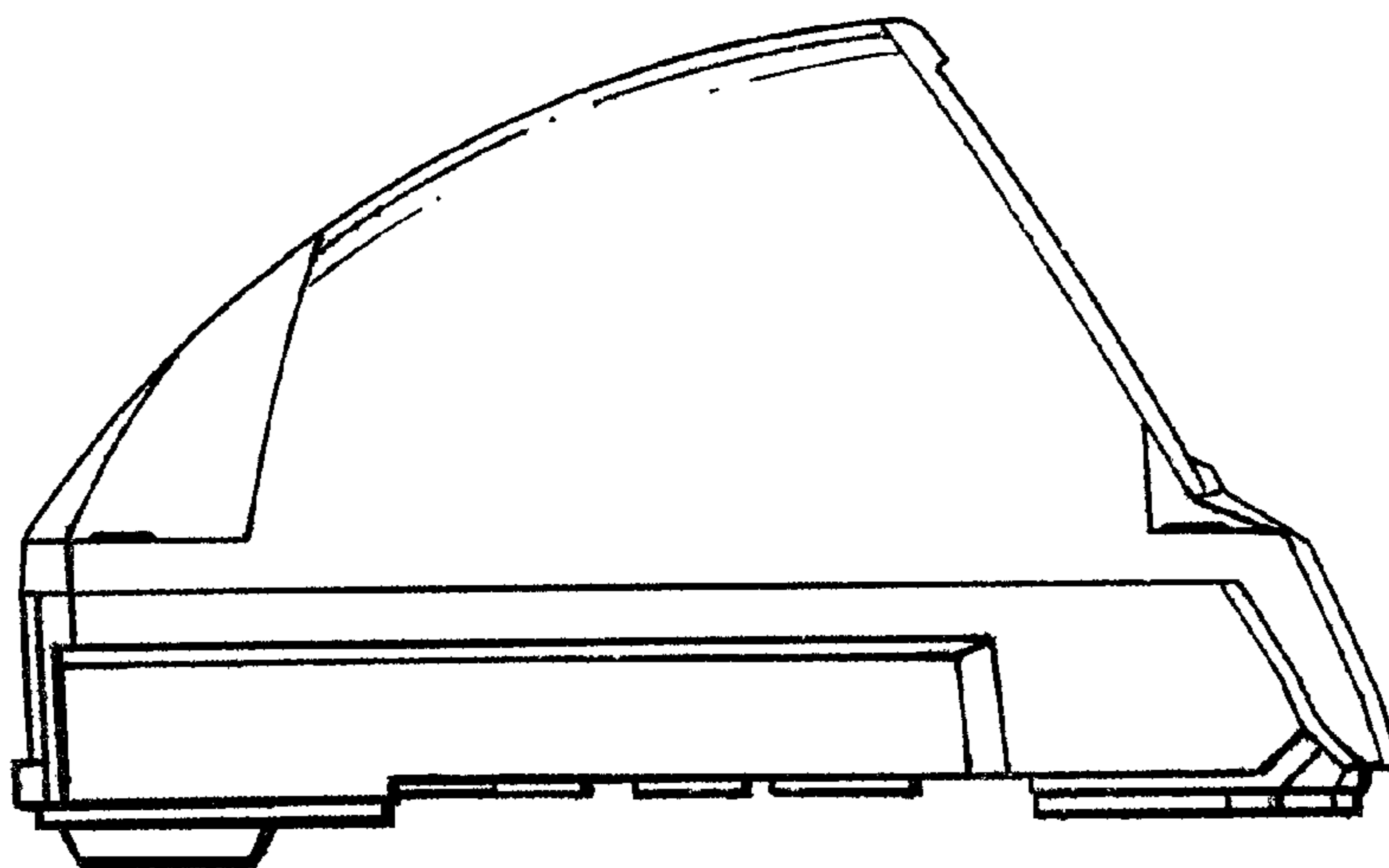


FIG. 5

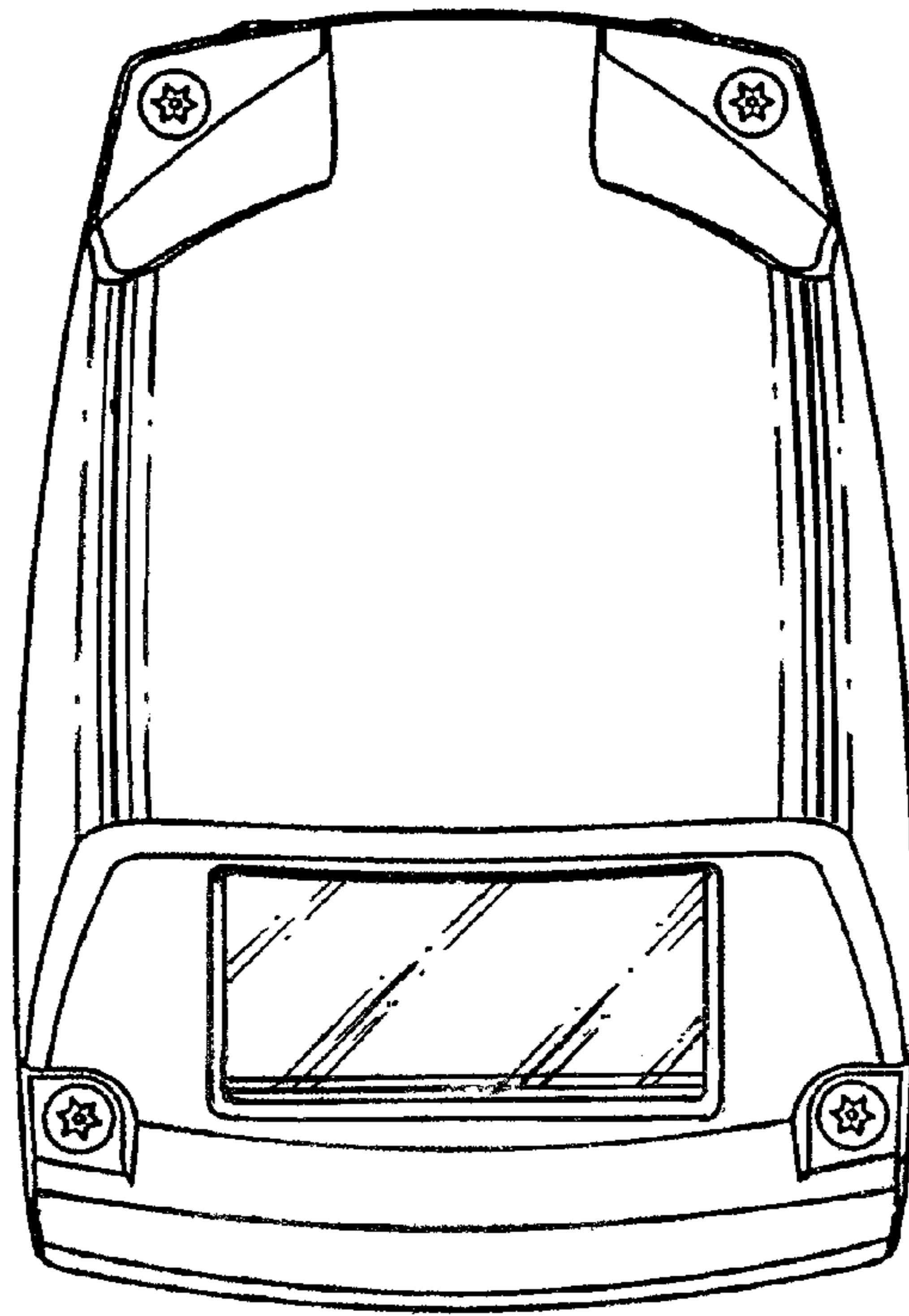


FIG. 6

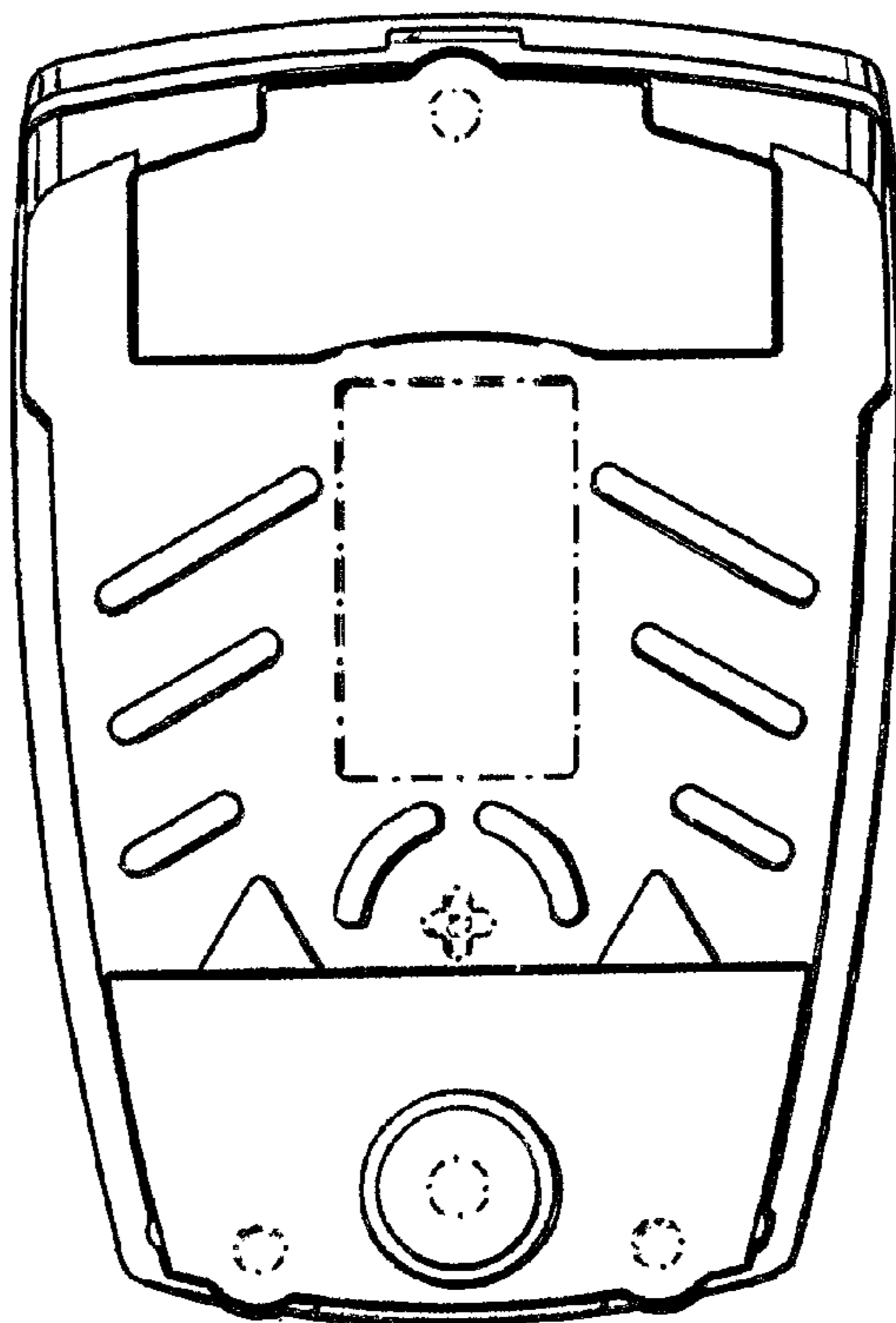


FIG. 7