



US00D700230S

(12) **United States Design Patent**
Sul et al.

(10) **Patent No.:** **US D700,230 S**

(45) **Date of Patent:** **** Feb. 25, 2014**

(54) **DIGITAL CAMERA**

(71) Applicant: **Samsung Electronics Co., Ltd.**,
Suwon-si (KR)

(72) Inventors: **Sung-Woo Sul**, Yongin-Si (KR);
Eui-Hoon Kim, Eulwang-Si (KR);
Ki-Jin Kwon, Suwon-Si (KR)

(73) Assignee: **Samsung Electronics Co., Ltd.**,
Suwon-si (KR)

(**) Term: **14 Years**

(21) Appl. No.: **29/446,903**

(22) Filed: **Feb. 28, 2013**

(30) **Foreign Application Priority Data**

Aug. 28, 2012 (KR) 30-2012-0041121

(51) **LOC (10) Cl.** **16-01**

(52) **U.S. Cl.**
USPC **D16/202**

(58) **Field of Classification Search**
USPC D16/200, 202, 204, 208, 218;
348/373-376; 358/909.1; 396/535-541
See application file for complete search history.

(56) **References Cited**

U.S. PATENT DOCUMENTS

7,778,014 B2 * 8/2010 Saiki et al. 361/679.01
D628,220 S * 11/2010 Lee D16/202

7,929,859 B2 * 4/2011 Saiki 396/535
8,014,667 B2 * 9/2011 Saiki 396/535
D649,572 S * 11/2011 Lee D16/202
D689,914 S * 9/2013 Uemachi et al. D16/202

* cited by examiner

Primary Examiner — Adir Aronovich
(74) *Attorney, Agent, or Firm* — NSIP Law

(57) **CLAIM**
The ornamental design for a digital camera, as shown and described.

DESCRIPTION

FIG. 1 is a top, front and right side perspective view of a digital camera showing our new design;
FIG. 2 is a front elevational view thereof;
FIG. 3 is a rear elevational view thereof;
FIG. 4 is a left side elevational view thereof;
FIG. 5 is a right side elevational view thereof;
FIG. 6 is top plan view thereof;
FIG. 7 is bottom plan view thereof;
FIG. 8 is a left side elevational view of the digital camera of FIG. 1, showing the display panel in an open position and rotated 90°; and,
FIG. 9 is a left side elevational view of the digital camera of FIG. 1, showing the display panel in an open position and rotated 135°.
The portions of the digital camera in broken lines in all figures are shown for illustrative purposes only and form no part of the claimed design. The directional arrow in FIGS. 8 and 9 indicates the direction of the movement of the claimed design in operation and forms no part of the claimed design.

1 Claim, 7 Drawing Sheets

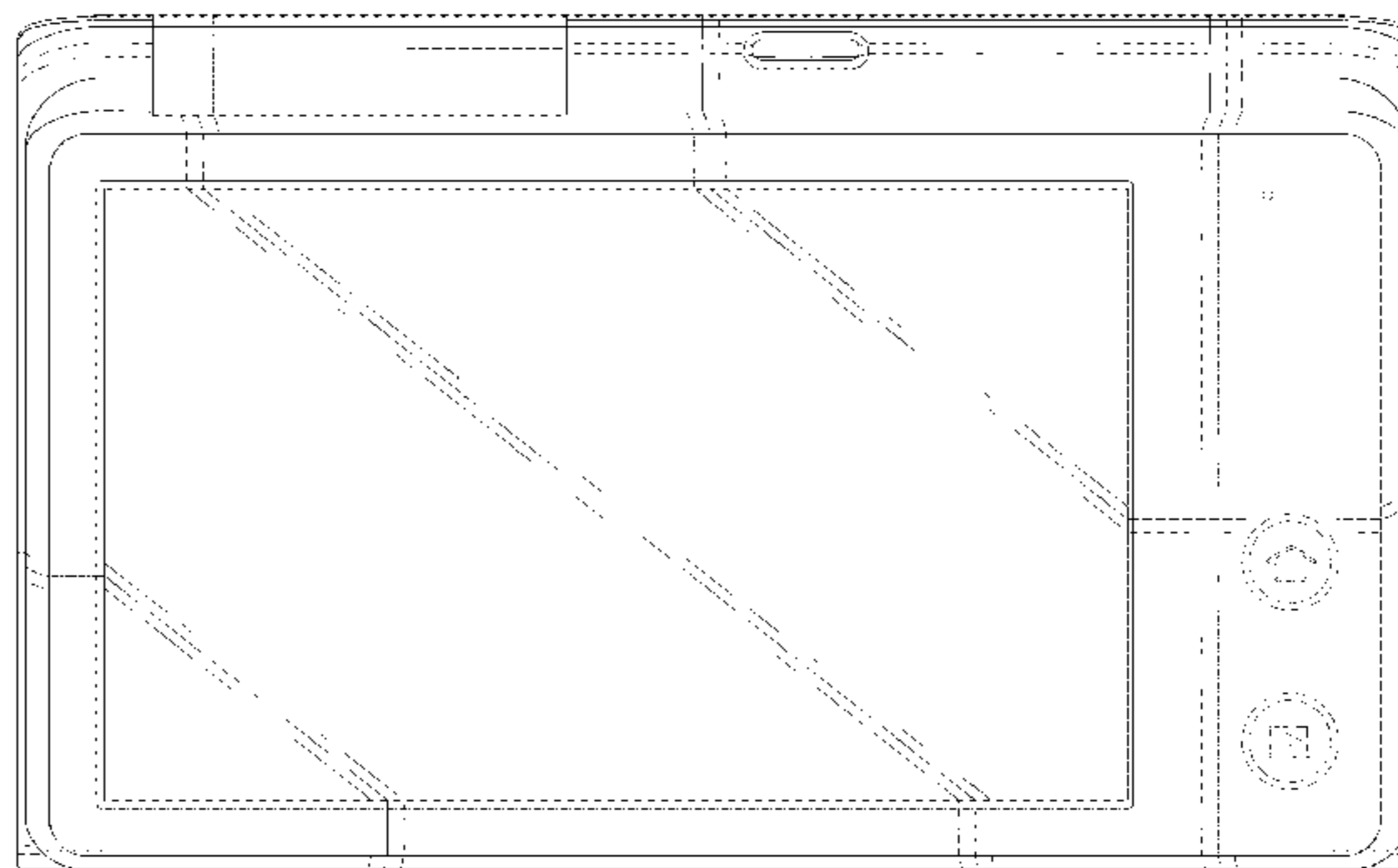
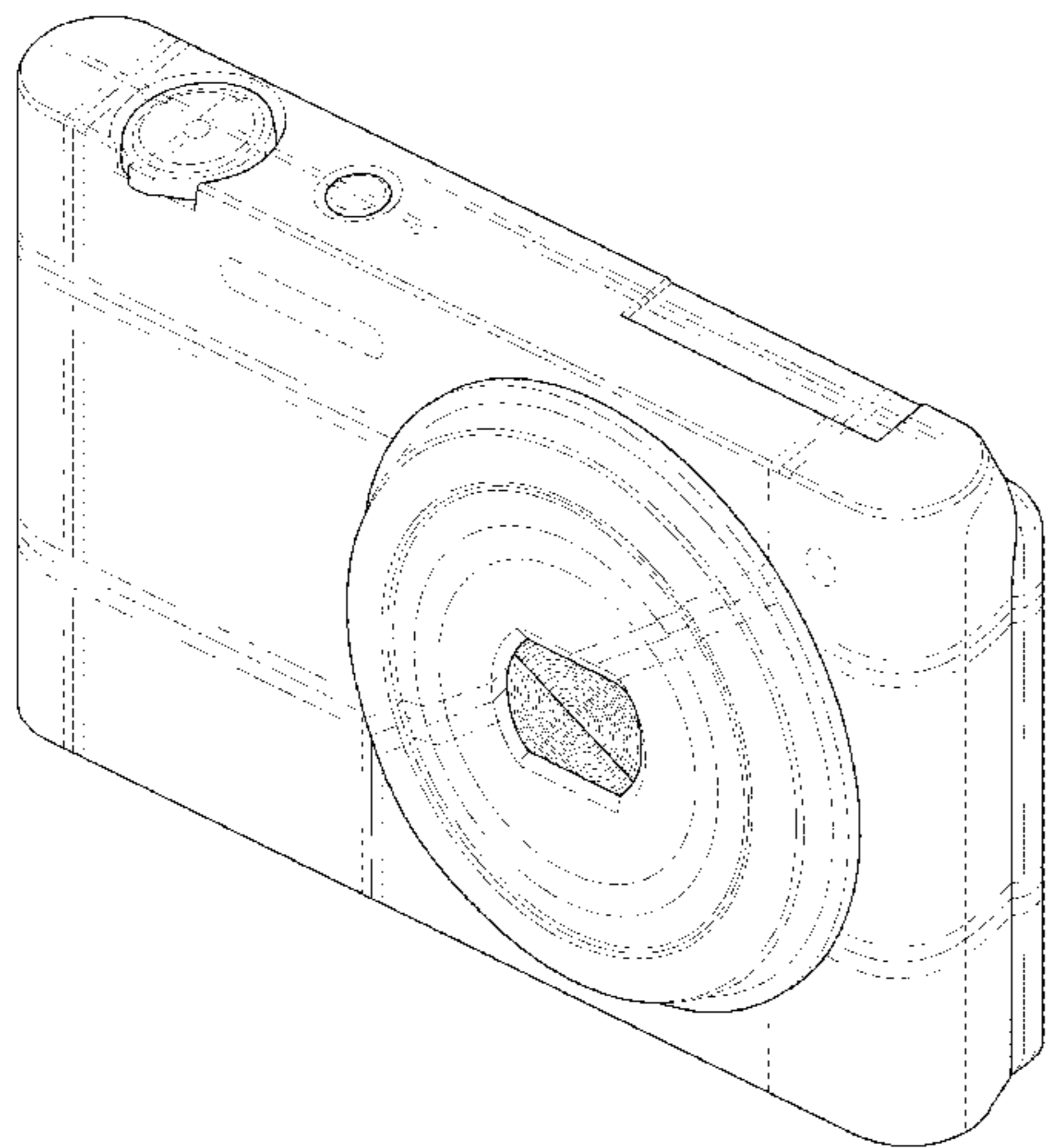


FIG. 1

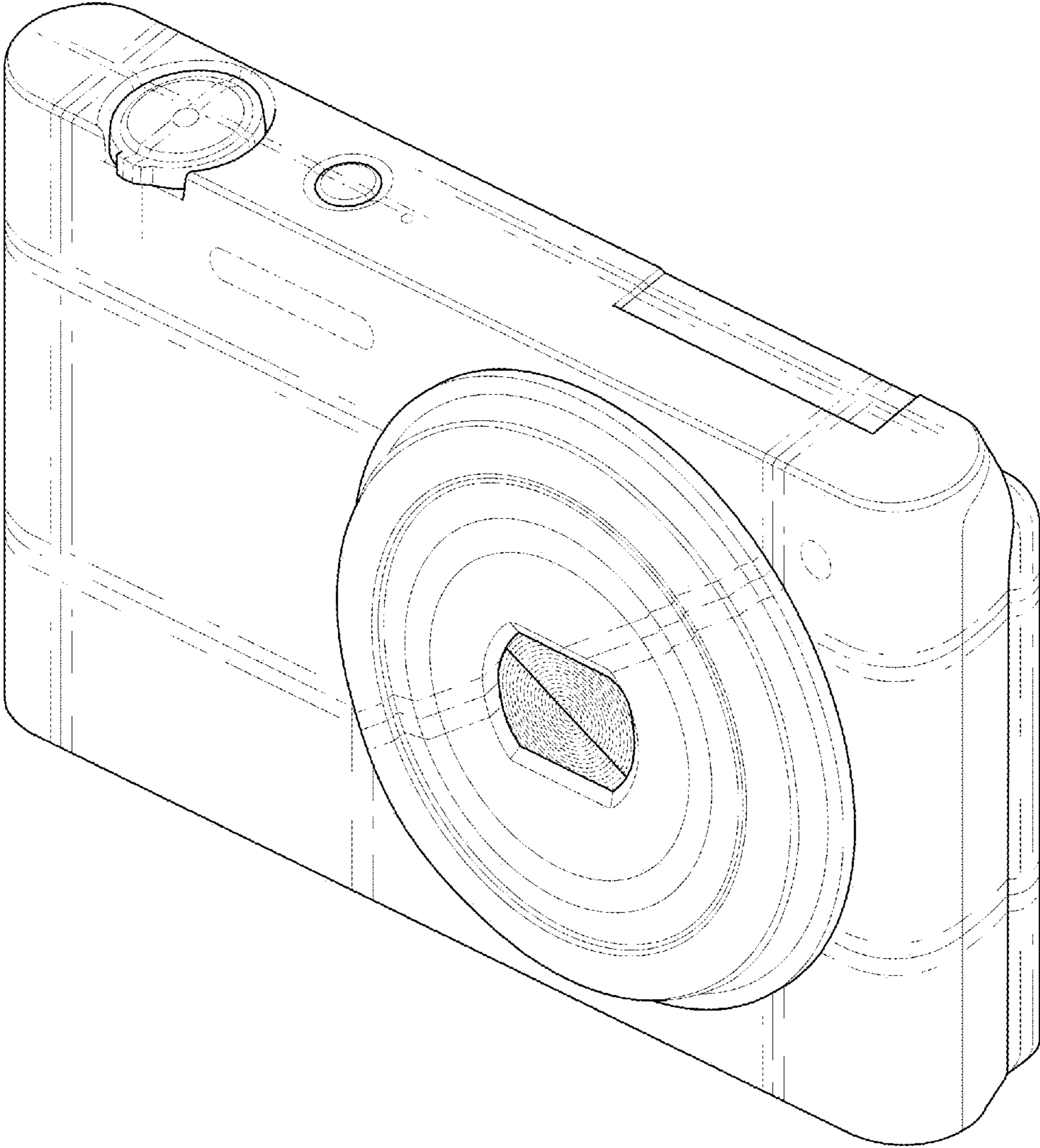


FIG. 2

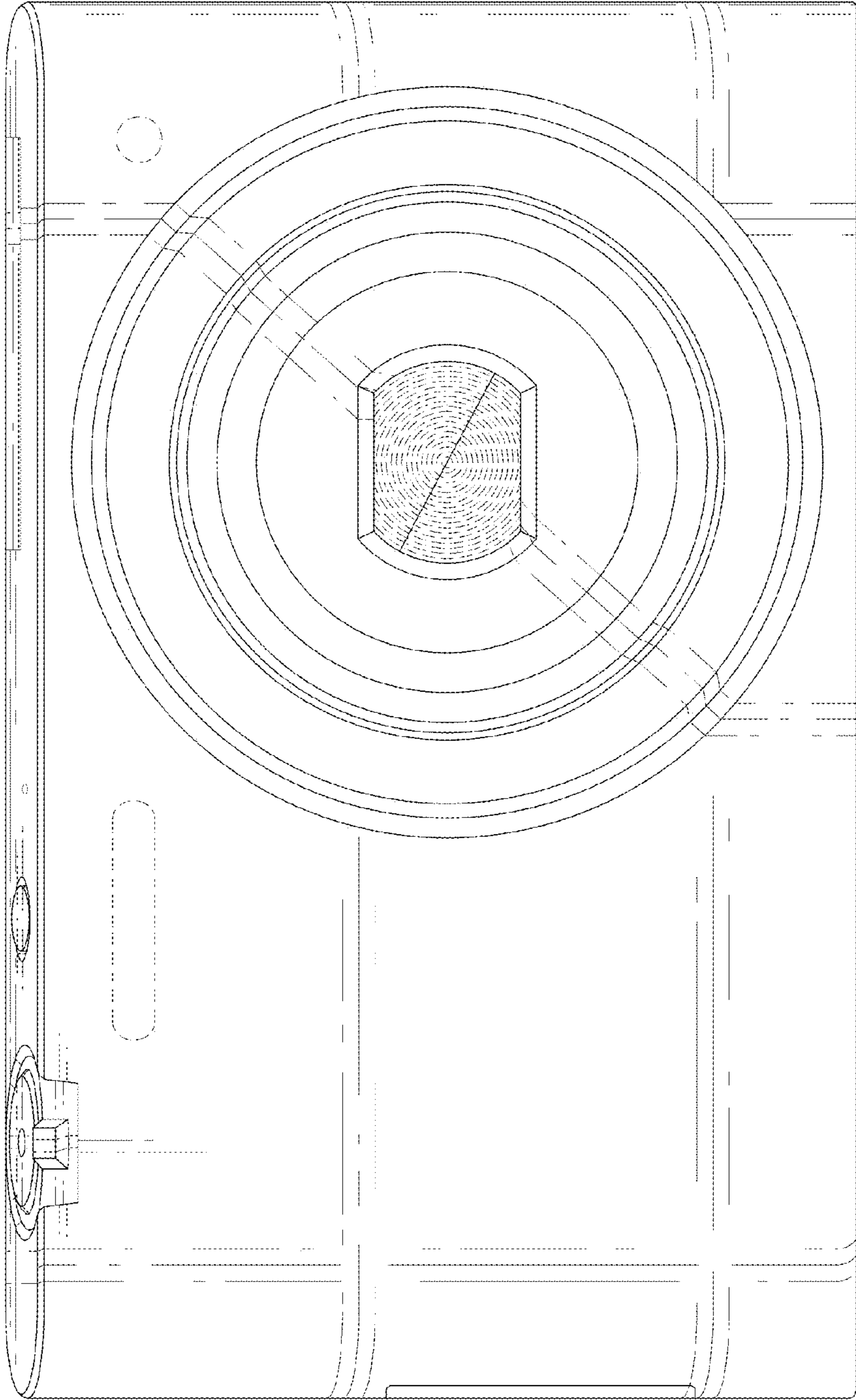


FIG. 3

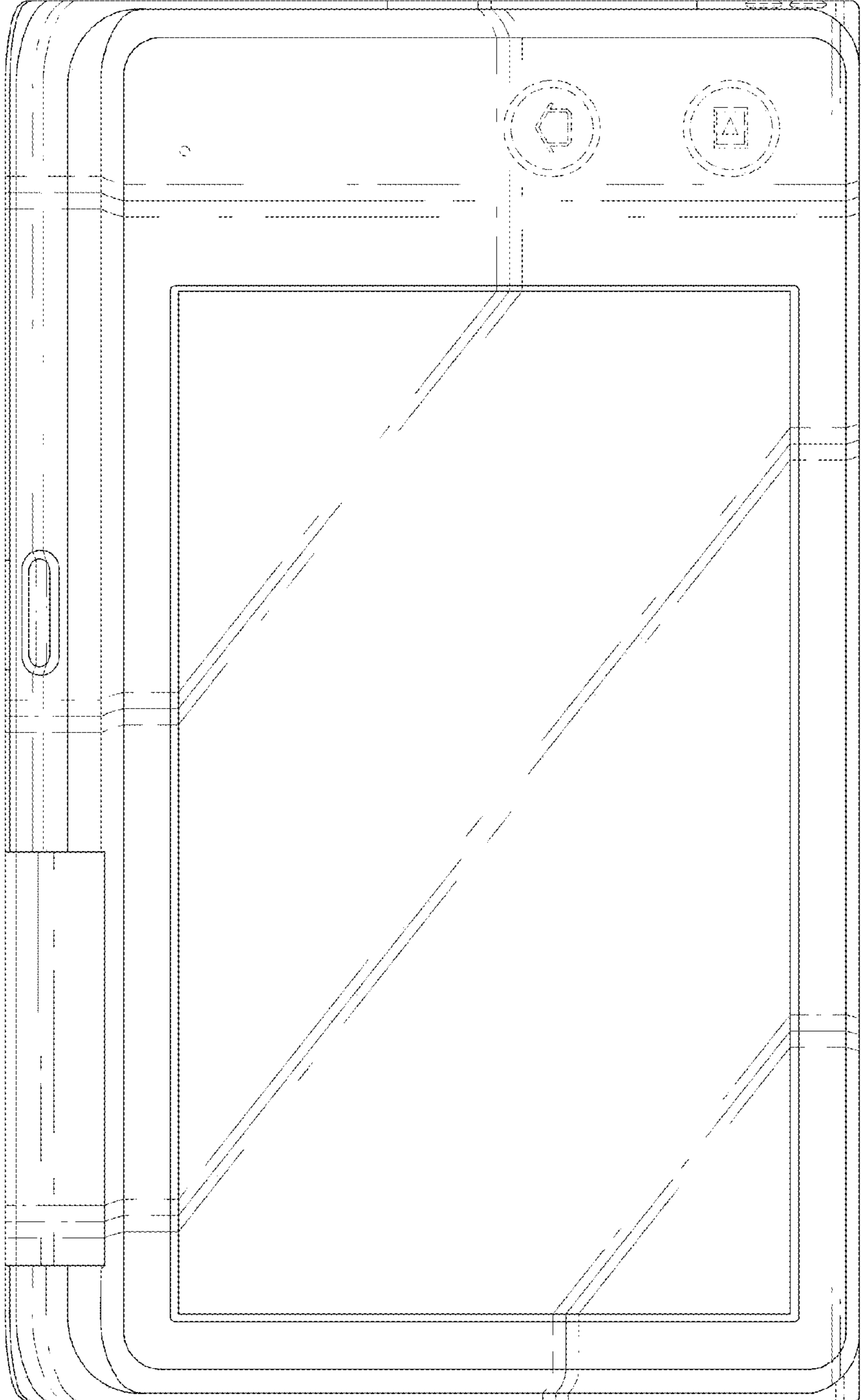


FIG. 4

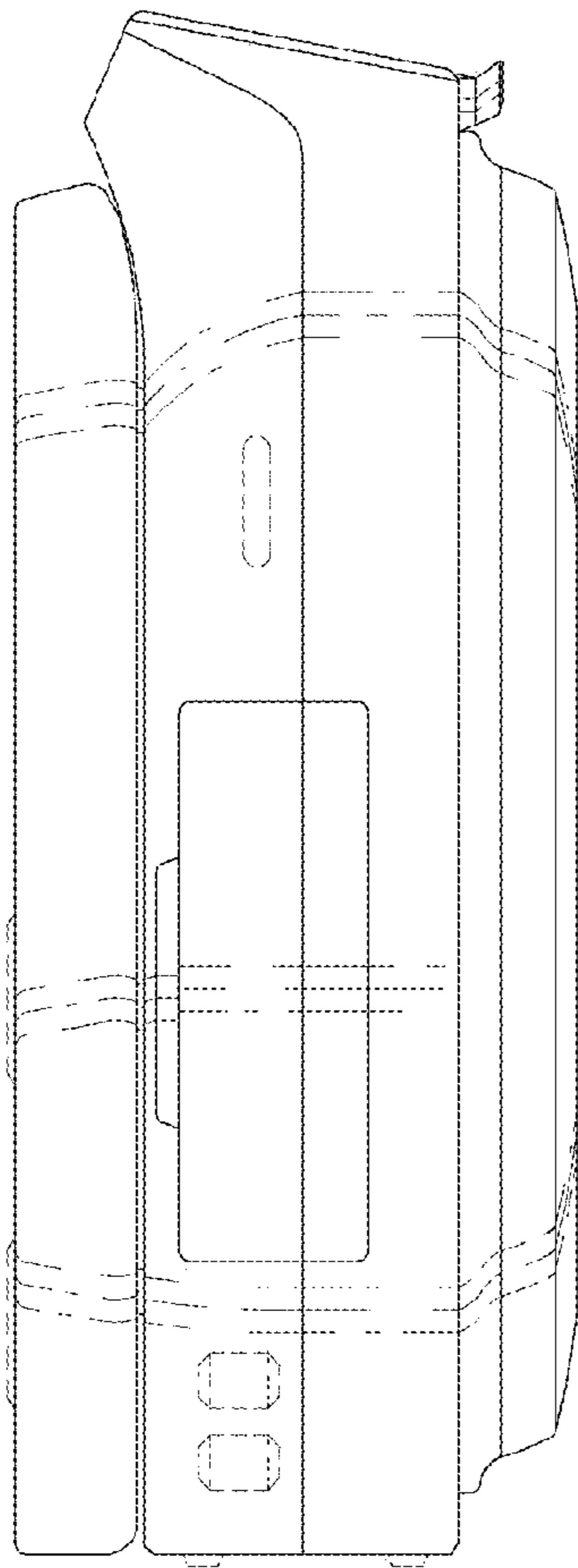


FIG. 5

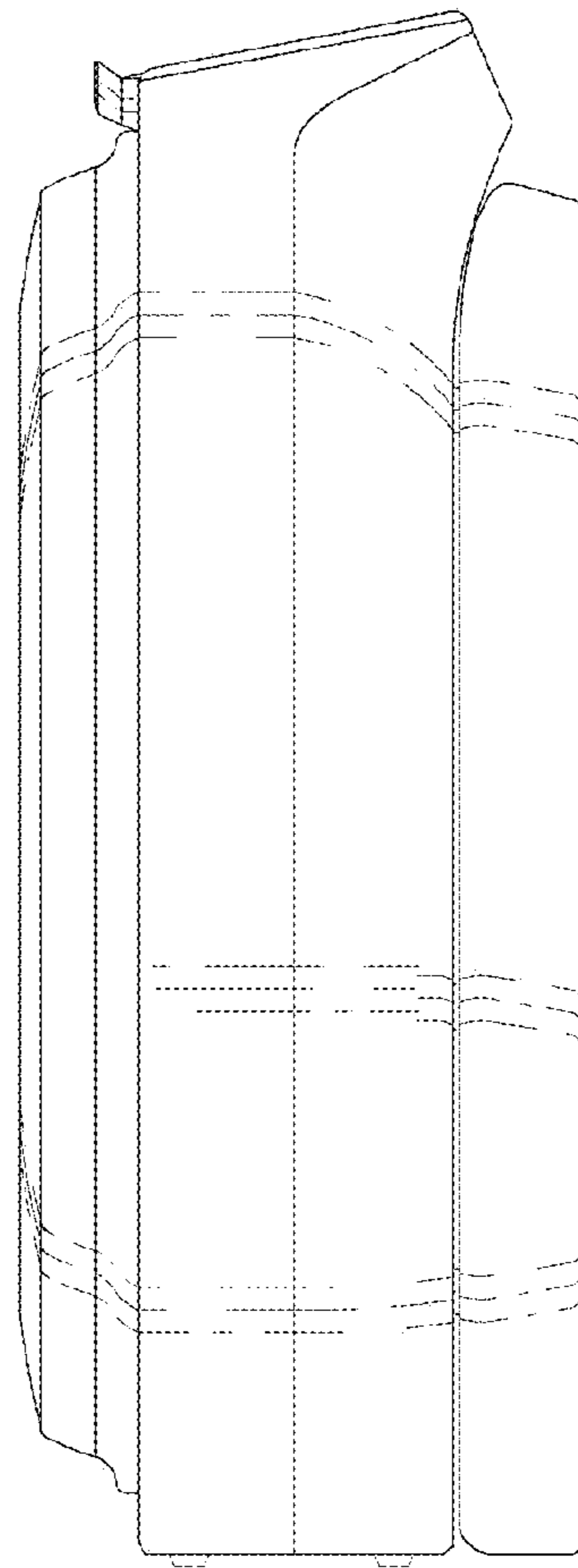


FIG. 6

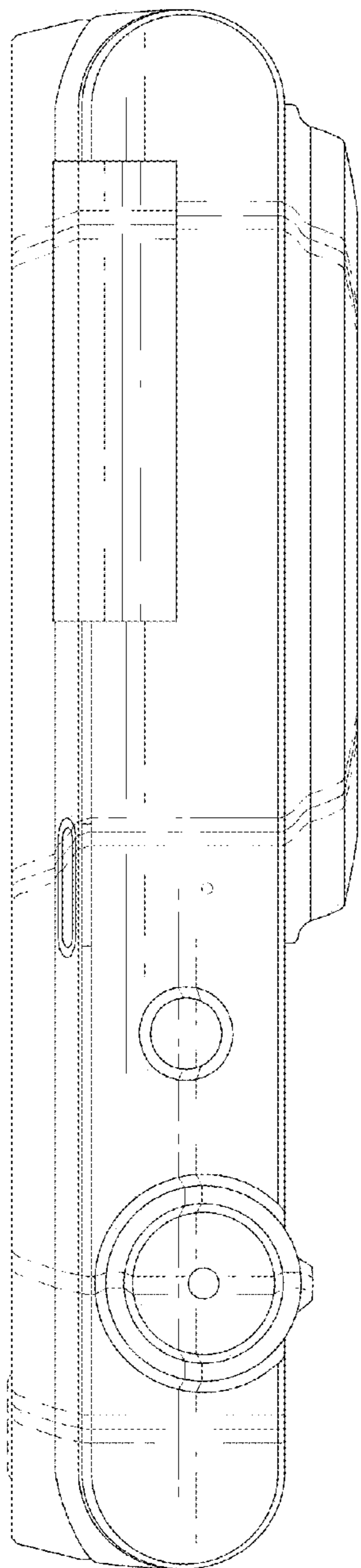


FIG. 7

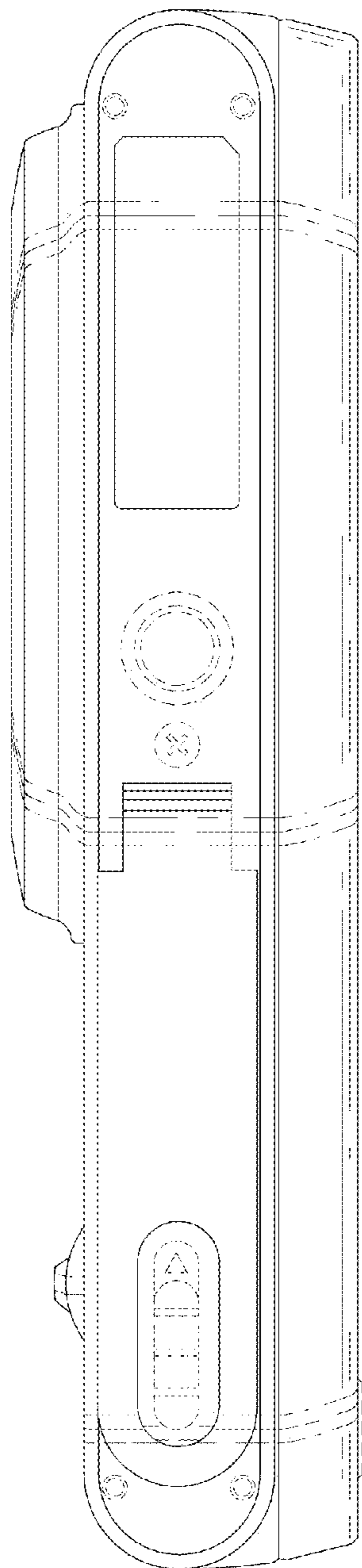


FIG. 8

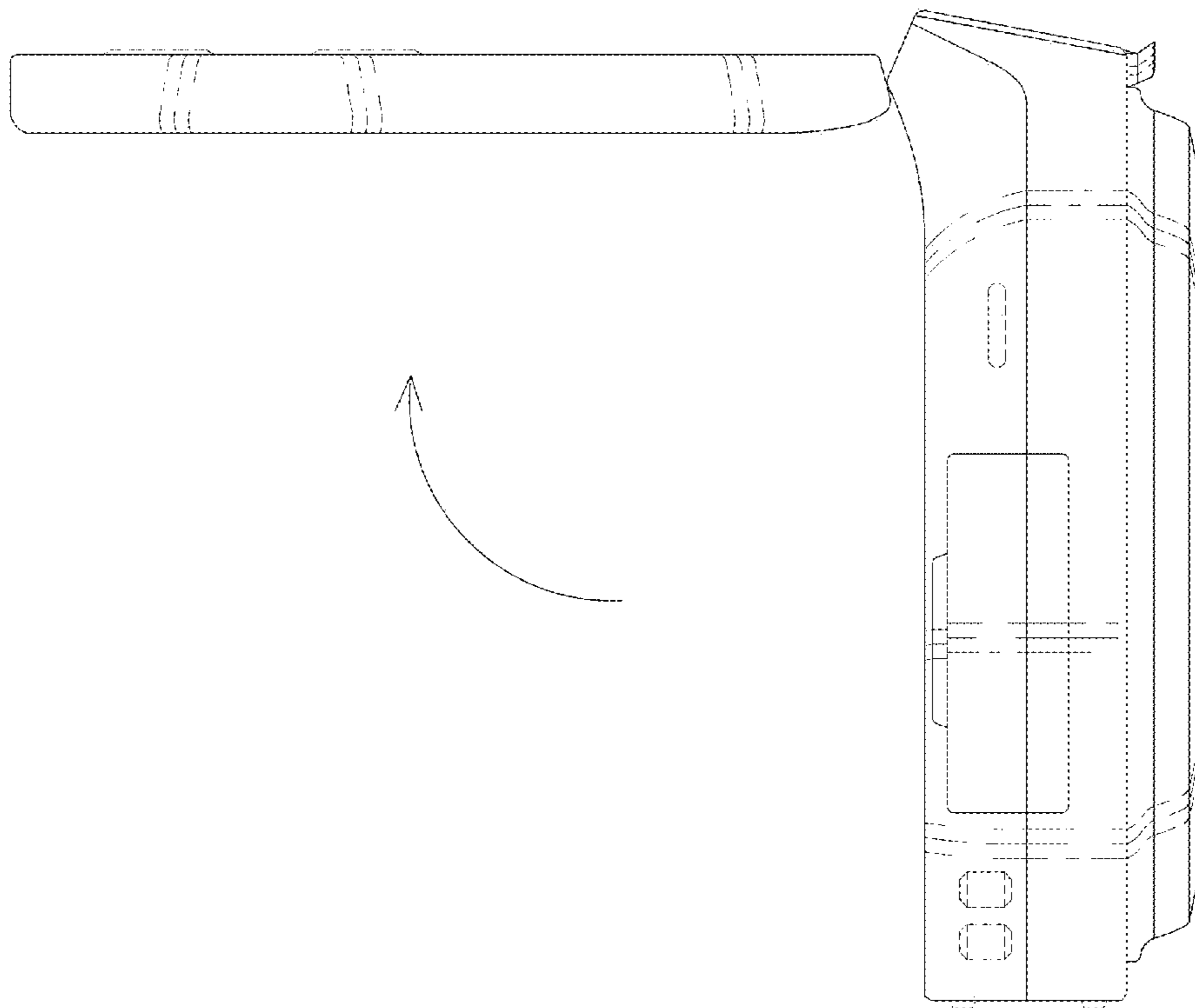


FIG. 9

