



US00D700229S

(12) **United States Design Patent**
Ham

(10) **Patent No.:** **US D700,229 S**

(45) **Date of Patent:** **** Feb. 25, 2014**

(54) **DIGITAL CAMERA**

(71) Applicant: **Samsung Electronics Co., Ltd.**,
Suwon-si (KR)

(72) Inventor: **Min-Ki Ham**, Seoul (KR)

(73) Assignee: **Samsung Electronics Co., Ltd.**,
Suwon-si (KR)

(**) Term: **14 Years**

(21) Appl. No.: **29/446,902**

(22) Filed: **Feb. 28, 2013**

(30) **Foreign Application Priority Data**

Aug. 28, 2012 (KR) 30-2012-0041120

(51) **LOC (10) Cl.** **16-01**

(52) **U.S. Cl.**
USPC **D16/202**

(58) **Field of Classification Search**
USPC D16/200, 202, 204, 208, 218, 219;
348/373-376; 358/909.1; 396/535-541
See application file for complete search history.

(56) **References Cited**

U.S. PATENT DOCUMENTS

6,434,337 B1 * 8/2002 Misawa 358/909.1
D555,689 S * 11/2007 Yoo et al. D16/202
D556,229 S * 11/2007 Bai D16/202
D561,218 S * 2/2008 Kim D16/218

D596,214 S * 7/2009 Kim et al. D16/202
D654,943 S * 2/2012 Ogasawara et al. D16/219
D681,713 S * 5/2013 Kim et al. D16/202

* cited by examiner

Primary Examiner — Adir Aronovich

(74) *Attorney, Agent, or Firm* — NSIP Law

(57) **CLAIM**

The ornamental design for a digital camera, as shown and described.

DESCRIPTION

FIG. 1 is a top, front and left side perspective view of a digital camera showing my new design;
FIG. 2 is a front elevational view thereof;
FIG. 3 is a rear elevational view thereof;
FIG. 4 is a left side elevational view thereof;
FIG. 5 is a right side elevational view thereof;
FIG. 6 is top plan view thereof;
FIG. 7 is bottom plan view thereof;
FIG. 8 is a front elevational view of the digital camera of FIG. 1, showing the flash in an open position;
FIG. 9 is a rear elevational view of the digital camera of FIG. 1, showing the display panel in an open position;
FIG. 10 is a rear elevational view of the digital camera of FIG. 1, showing the display panel in an open position and rotated 90°; and,
FIG. 11 is an enlarged view of the camera lens housing pattern of FIG. 6.

The portions of the digital camera in broken lines in FIGS. 1, 3, 4, 5, 6, 7, 9 and 10 are shown for illustrative purposes only and form no part of the claimed design. The directional arrow in FIGS. 9 and 10 indicates the direction of the movement of the claimed design in operation and forms no part of the claimed design.

1 Claim, 10 Drawing Sheets

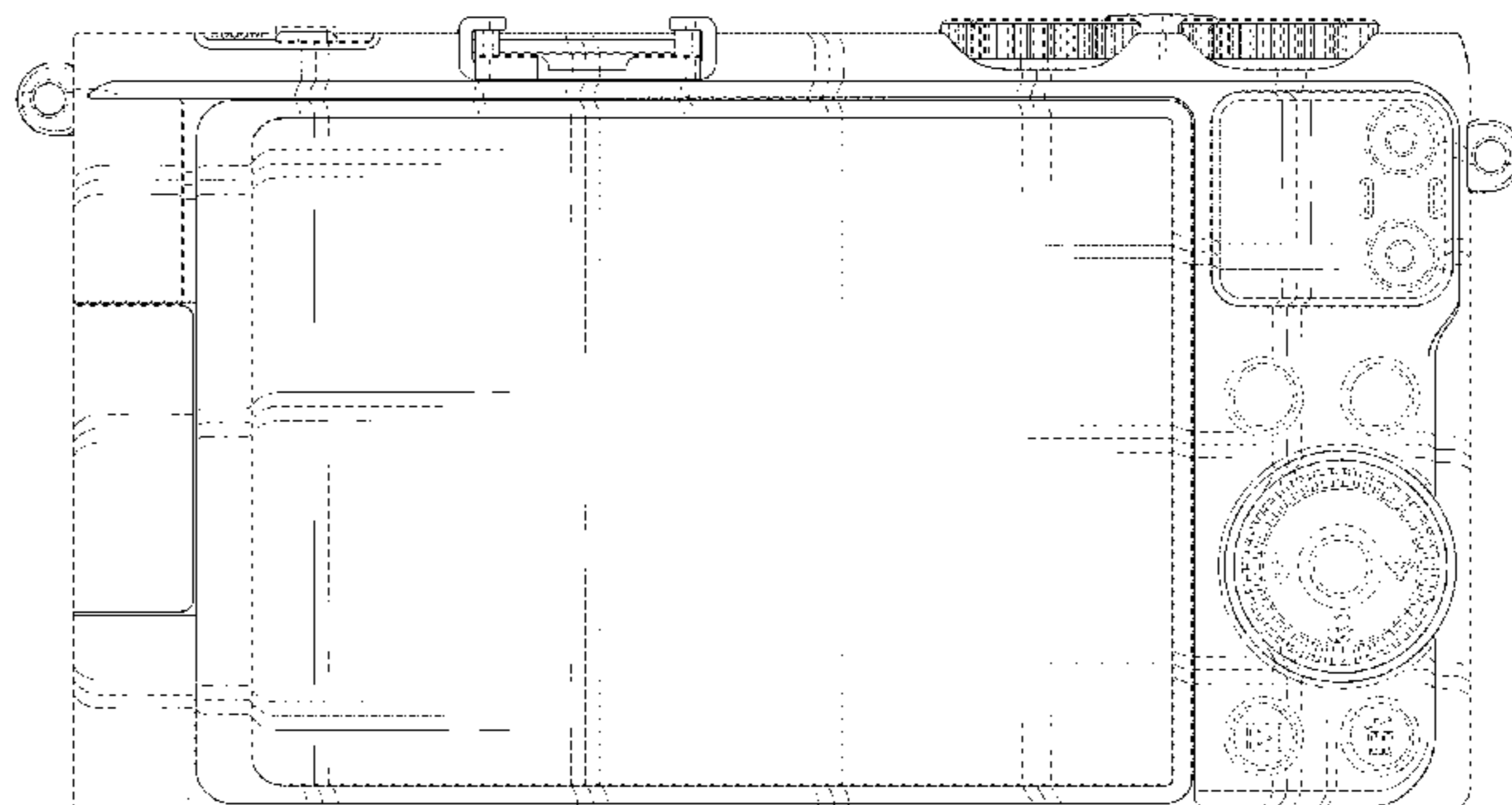
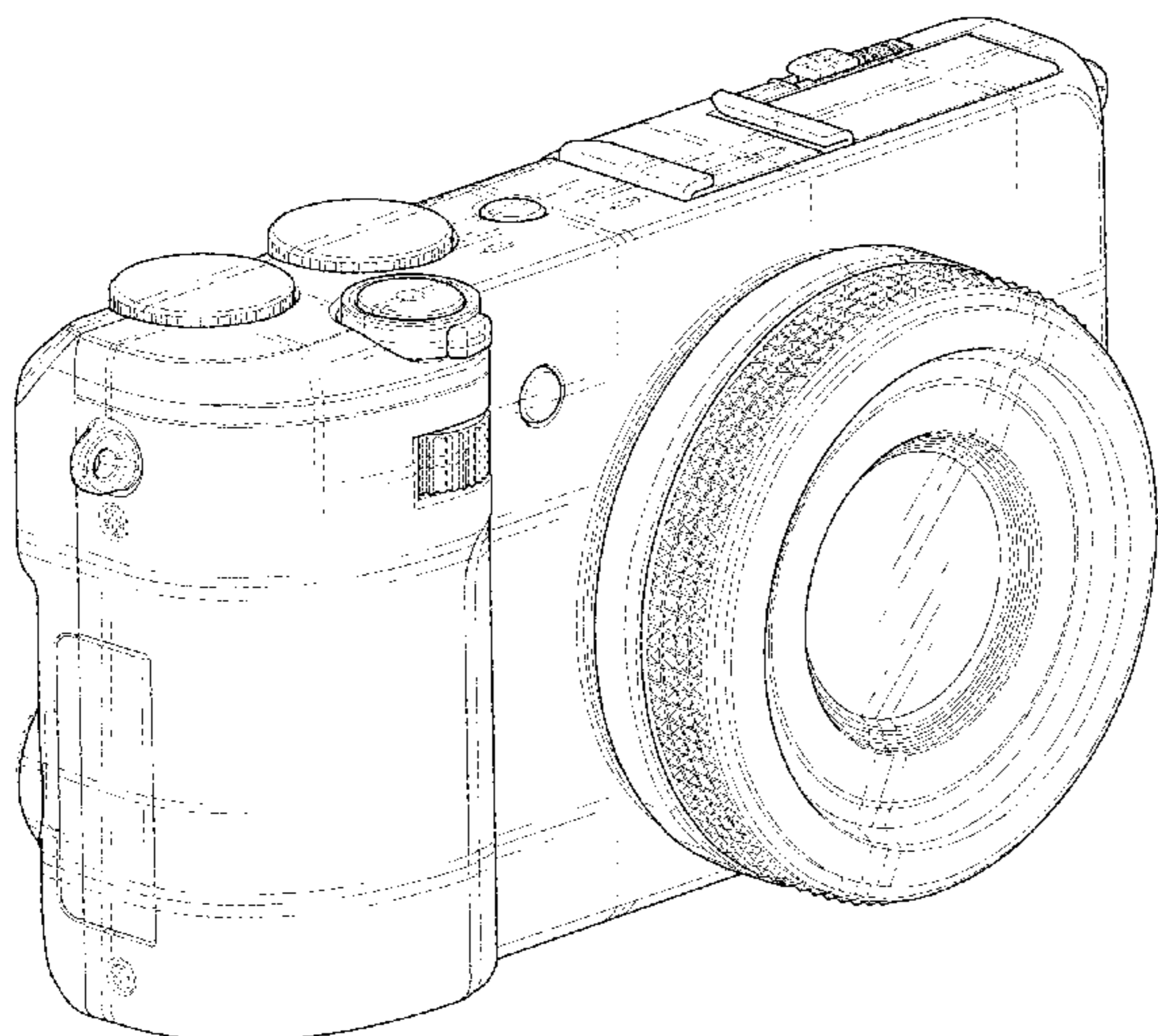


FIG. 1

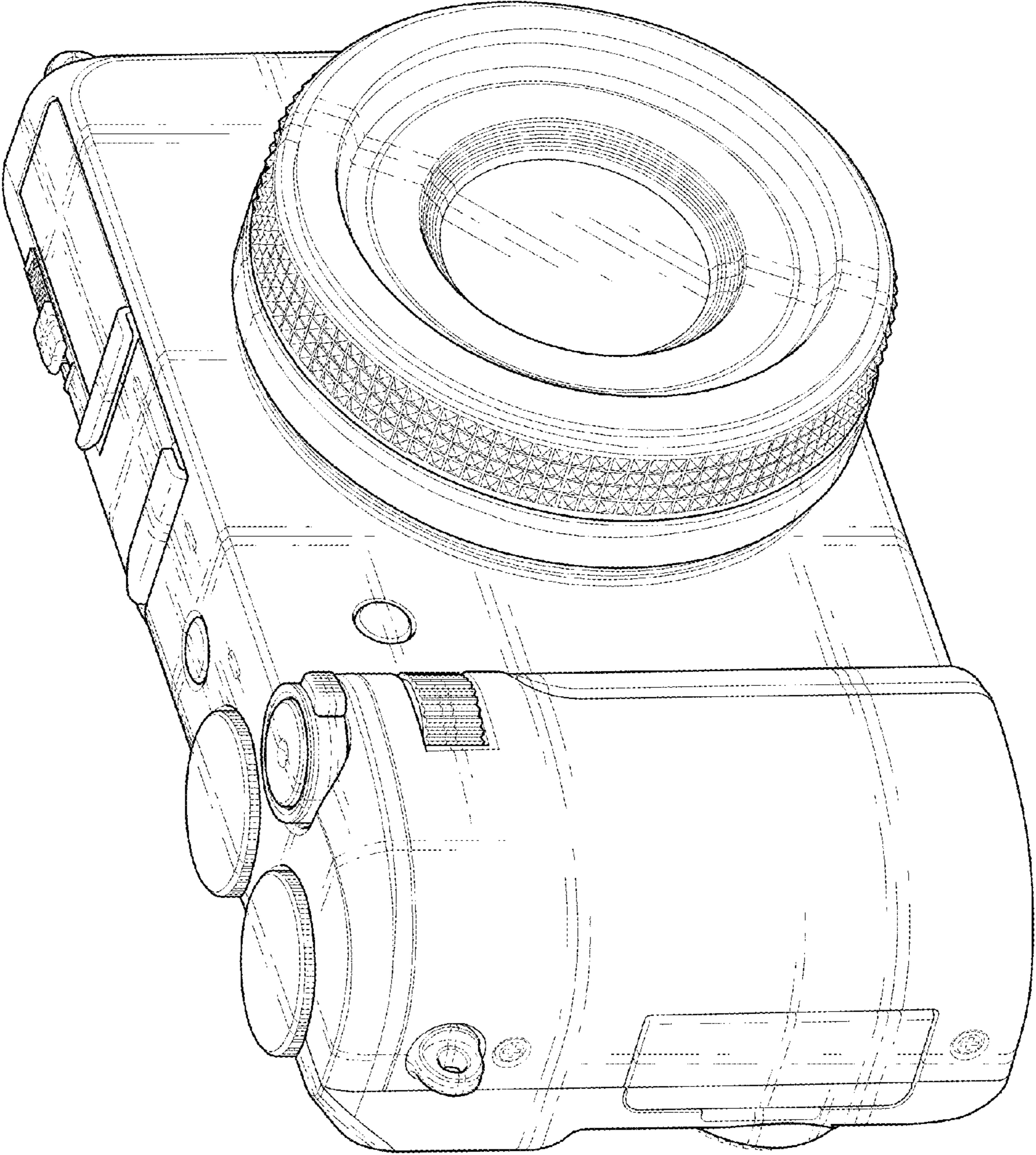


FIG. 2

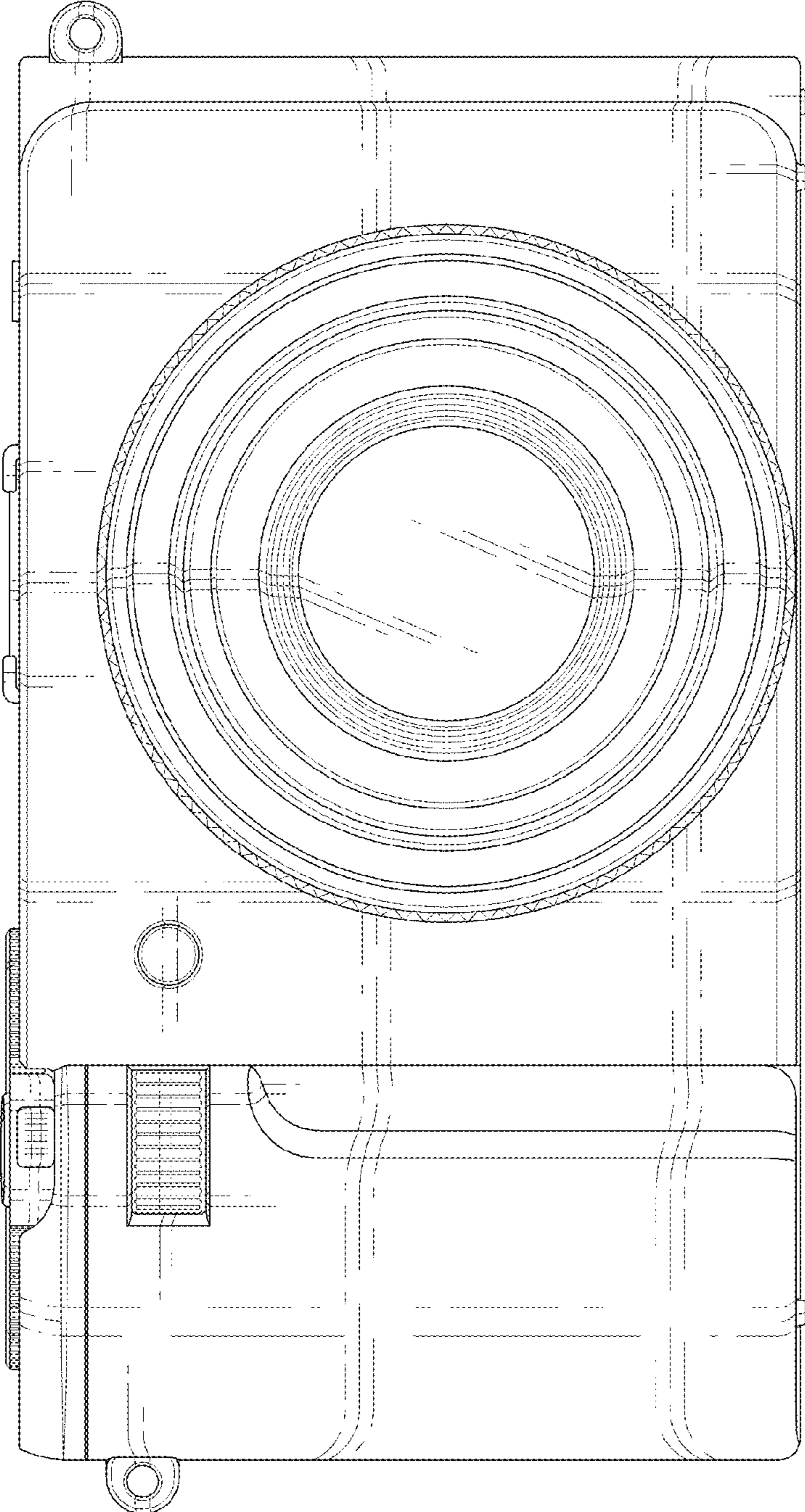


FIG. 3

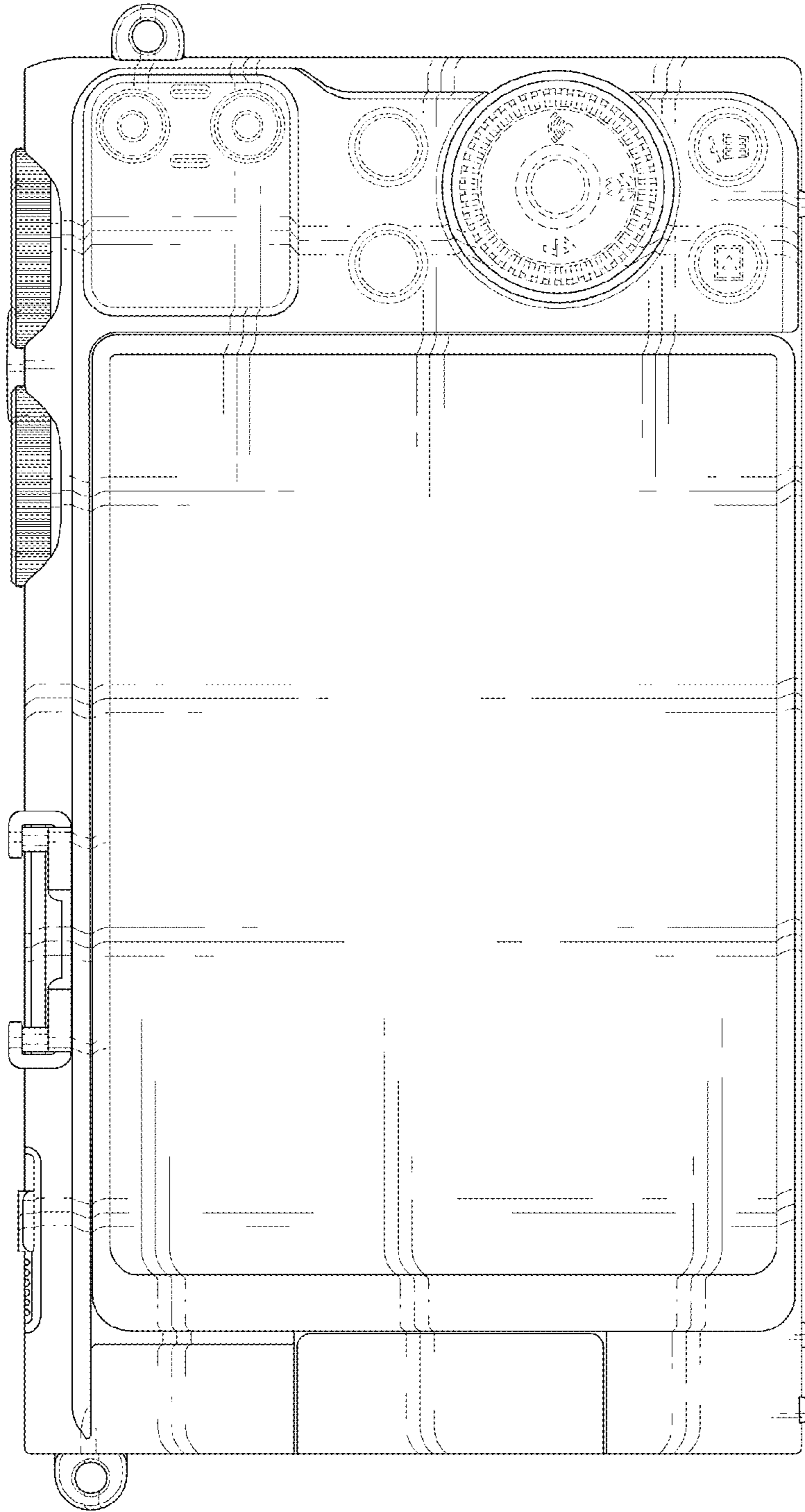


FIG. 5

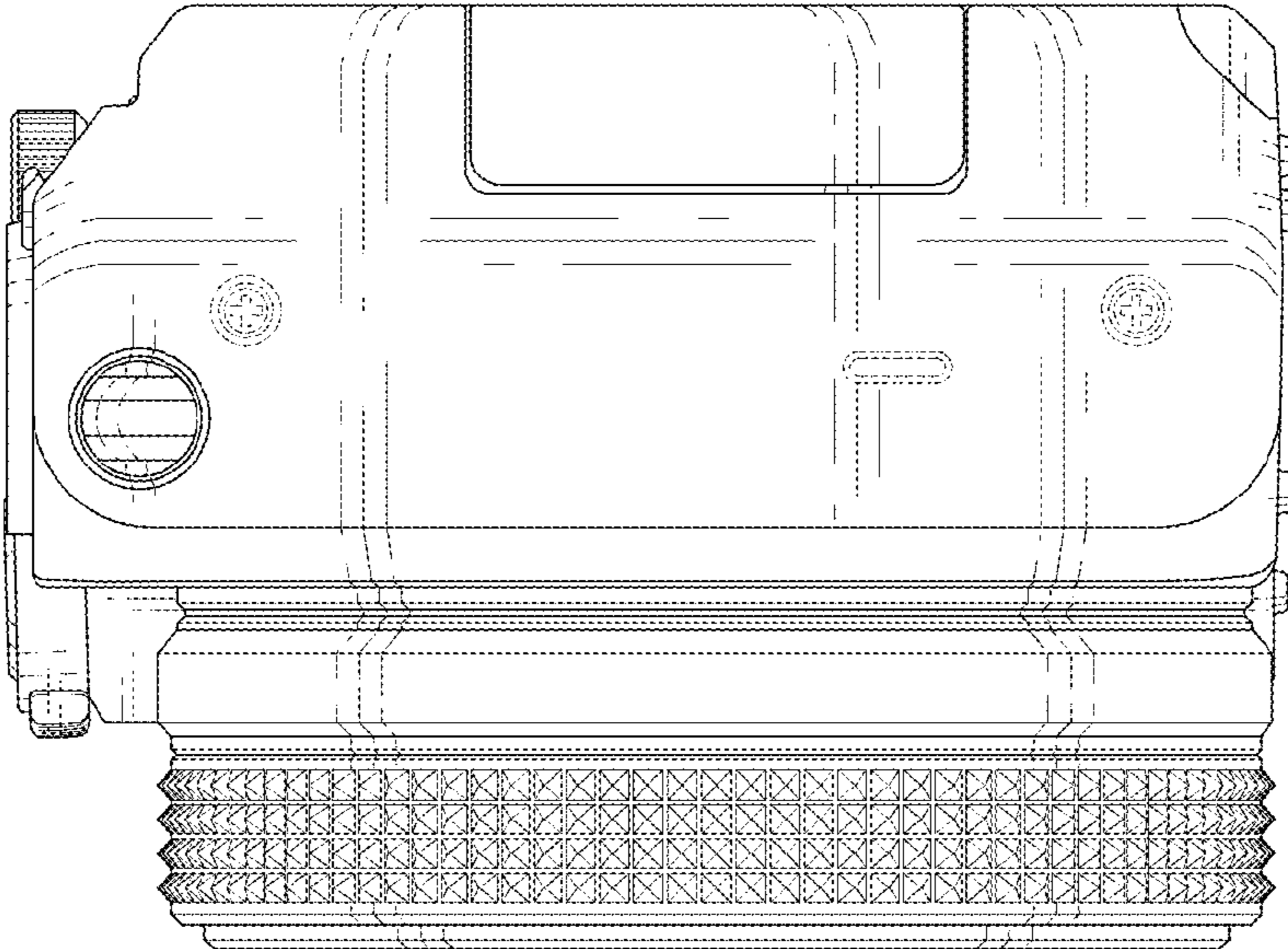


FIG. 4

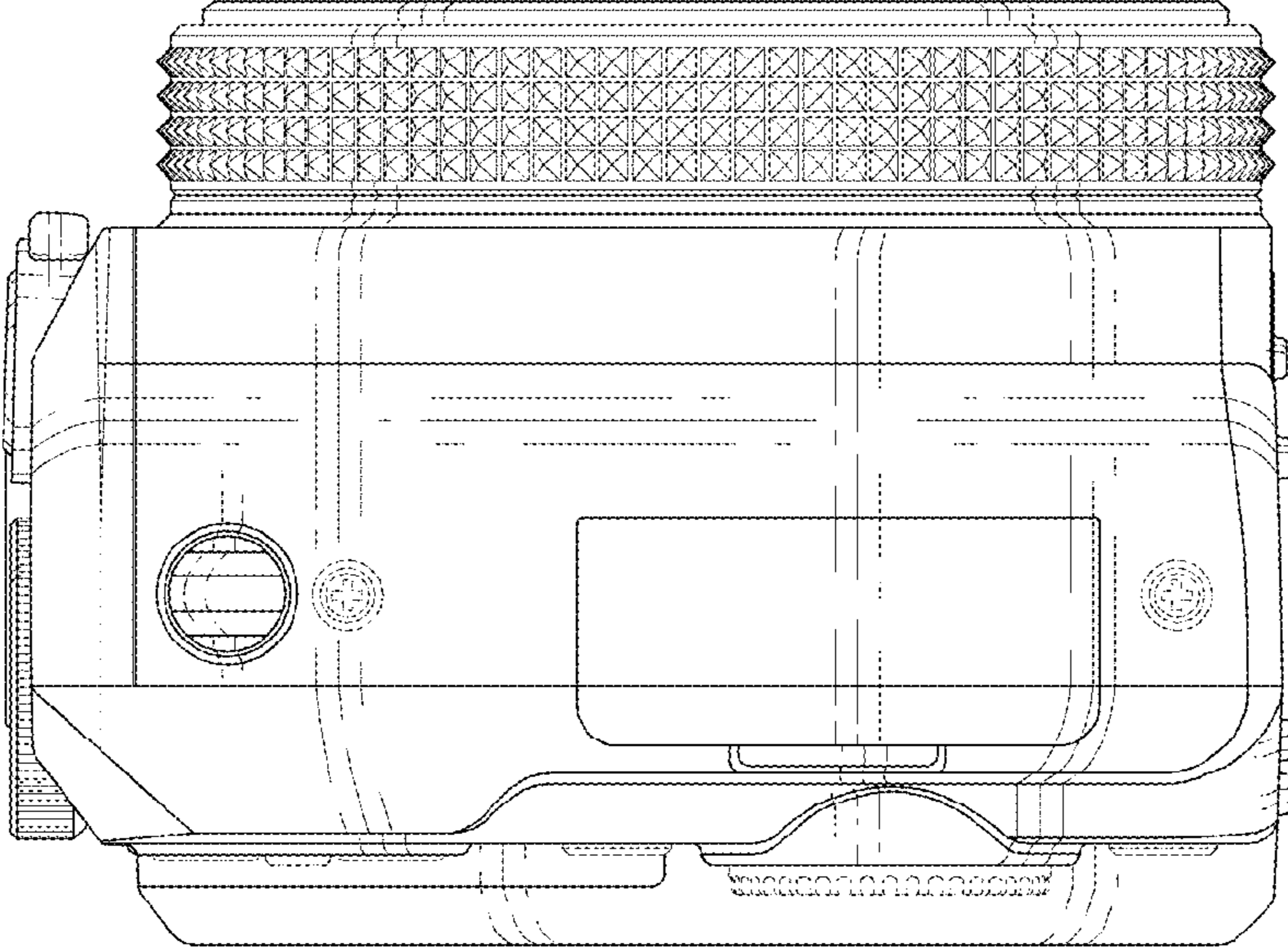


FIG. 6

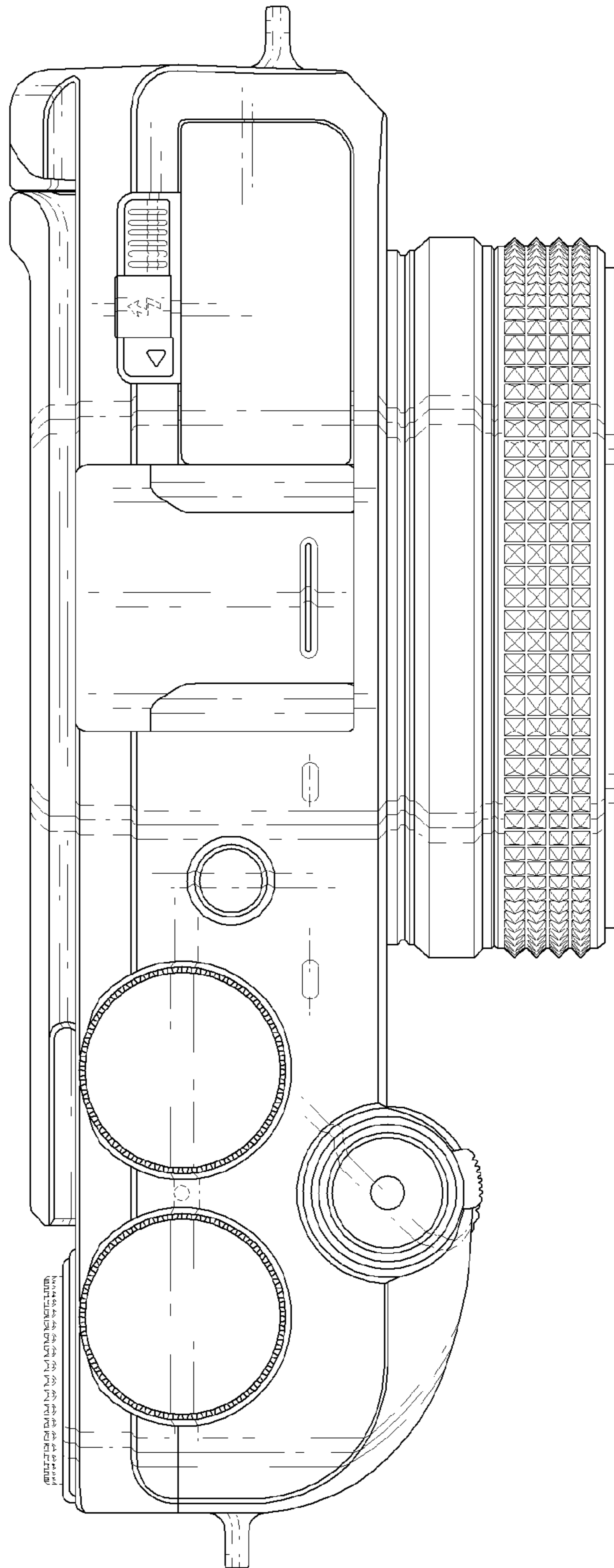


FIG. 7

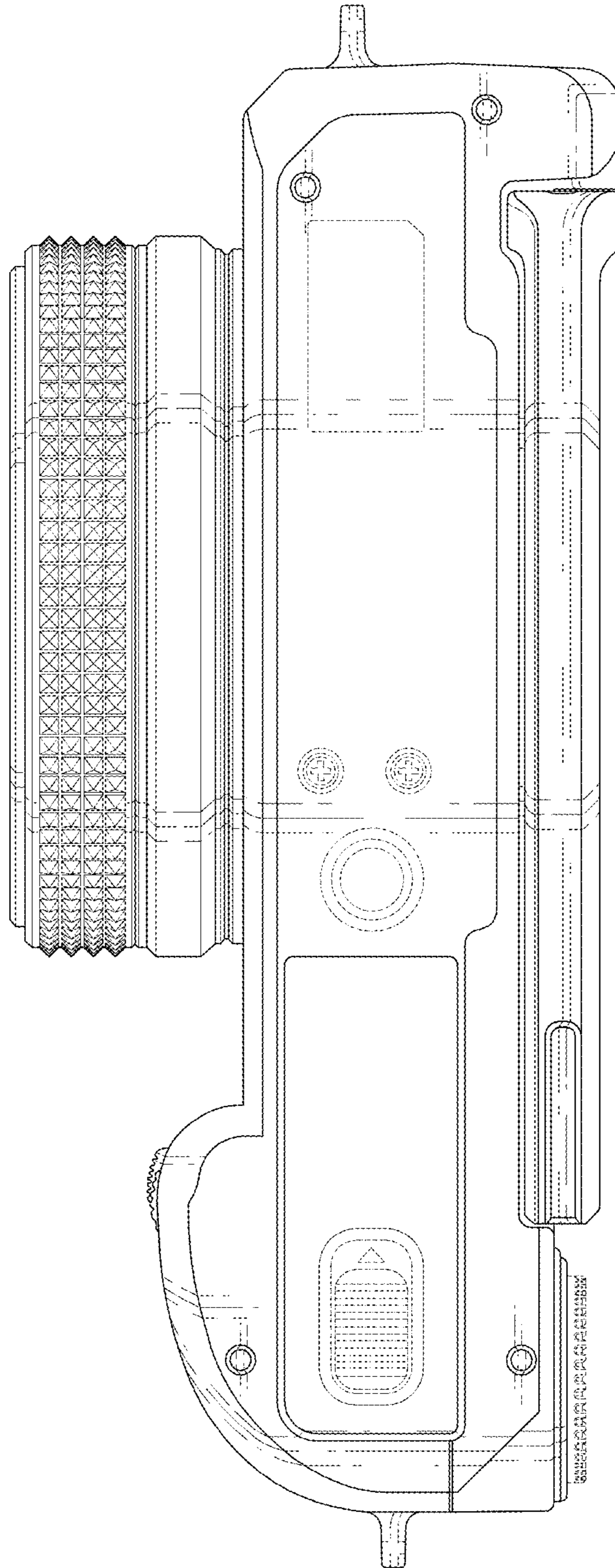


FIG. 8

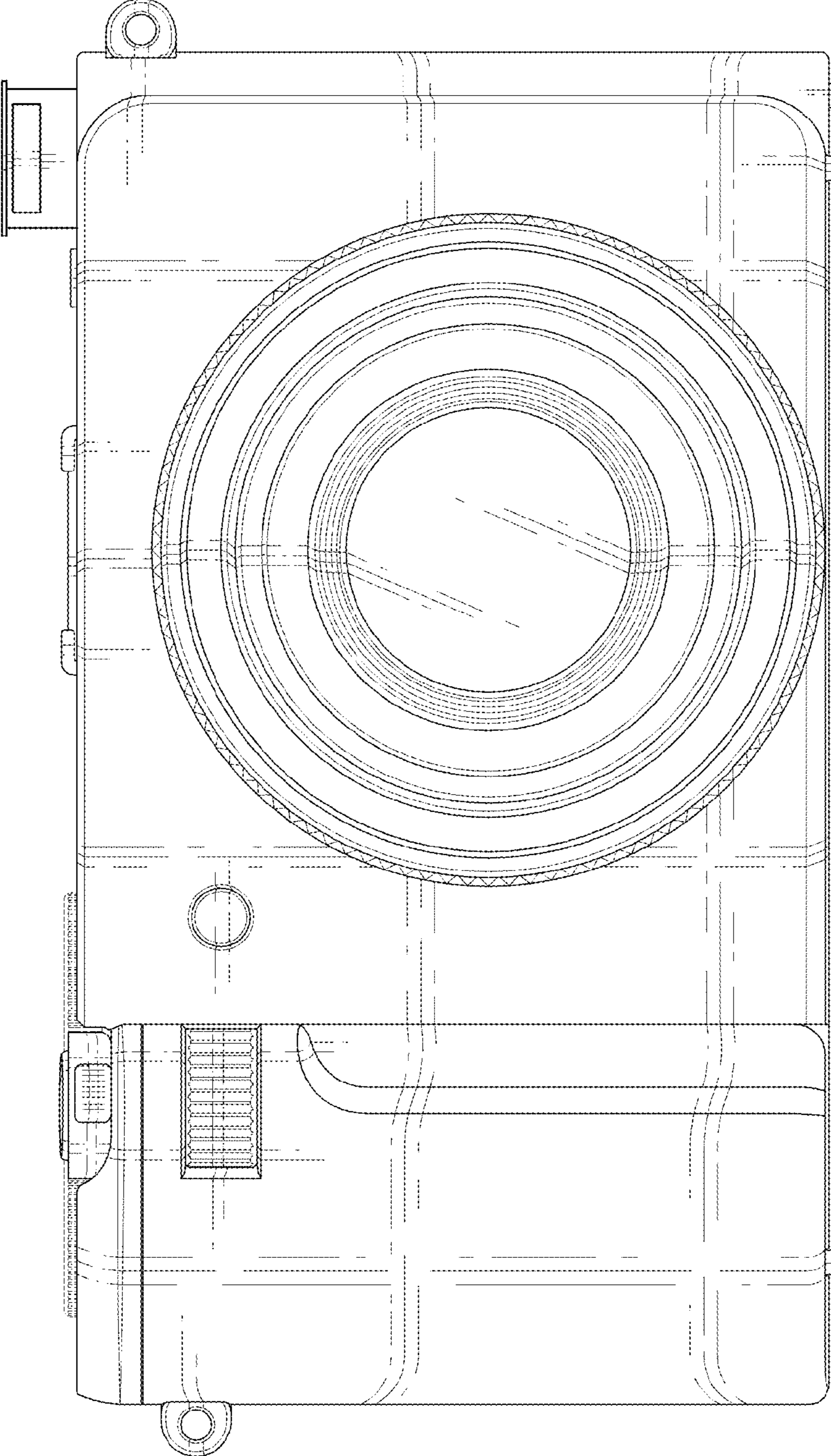


FIG. 9

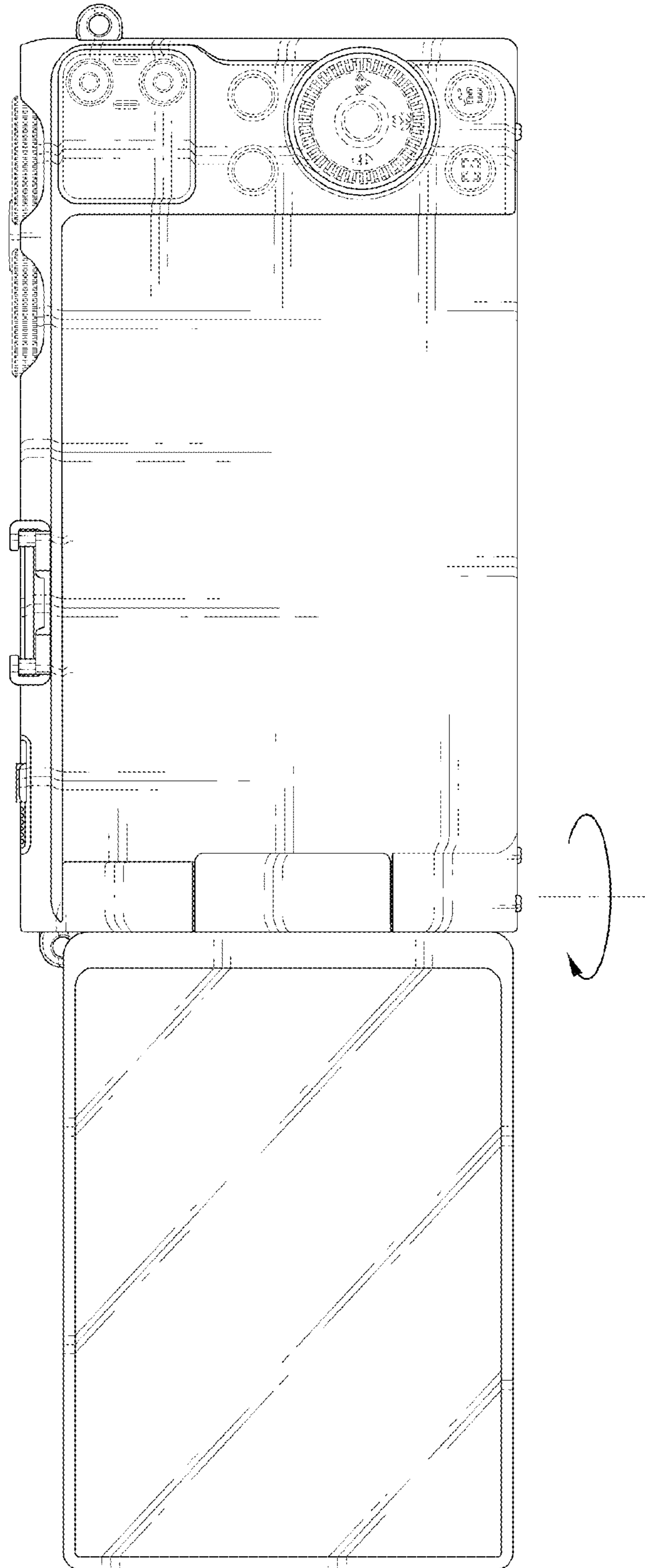


FIG. 10

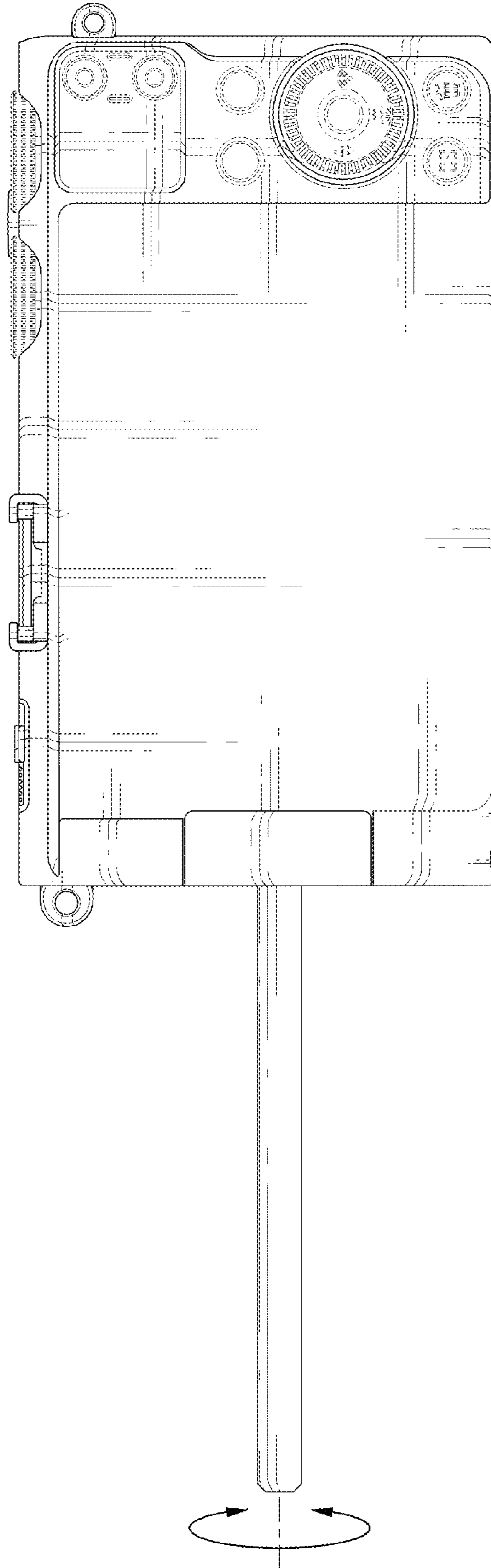


FIG. 11

