



US00D700228S

(12) **United States Design Patent**
O'Neill et al.

(10) **Patent No.:** **US D700,228 S**
(45) **Date of Patent:** **** Feb. 25, 2014**

(54) **OPTICAL COMPONENT MOUNT**

(71) Applicant: **Premier Systems USA, Inc.**, Huntington Beach, CA (US)

(72) Inventors: **Patrick D. O'Neill**, Huntington Beach, CA (US); **Chong Pak**, Lakewood, CA (US)

(73) Assignee: **Premier Systems USA, Inc.**, Huntington Beach, CA (US)

(**) Term: **14 Years**

(21) Appl. No.: **29/452,461**

(22) Filed: **Apr. 16, 2013**

Related U.S. Application Data

(62) Division of application No. 29/443,884, filed on Jan. 23, 2013, which is a division of application No. 29/409,978, filed on Dec. 30, 2011, now Pat. No. Des. 678,379.

(51) **LOC (10) Cl.** **16-06**

(52) **U.S. Cl.**
USPC **D16/134; D16/136**

(58) **Field of Classification Search**
USPC D16/134, 130, 136, 219, 250; 359/409, 359/808, 823, 827, 819, 822, 672; D14/432, 433, 242, 239, 483, 511, 217, D14/484; 396/6, 530, 339, 420, 429; 600/112; 455/567

See application file for complete search history.

(56) **References Cited**

U.S. PATENT DOCUMENTS

971,798 A * 10/1910 Somdal 359/672
D141,692 S 6/1945 Nemeth
2,428,719 A 10/1947 Nemeth
3,090,282 A 5/1963 Angenieux

(Continued)

FOREIGN PATENT DOCUMENTS

CN 1797169 A 7/2006
CN 201173987 Y 12/2008

(Continued)

OTHER PUBLICATIONS

U.S. Appl. No. 13/742,857 and prosecution history, filed Jan. 16, 2013, O'Neill.

(Continued)

Primary Examiner — Paula Greene

(74) *Attorney, Agent, or Firm* — Knobbe, Martens, Olson & Bear, LLP

(57) **CLAIM**

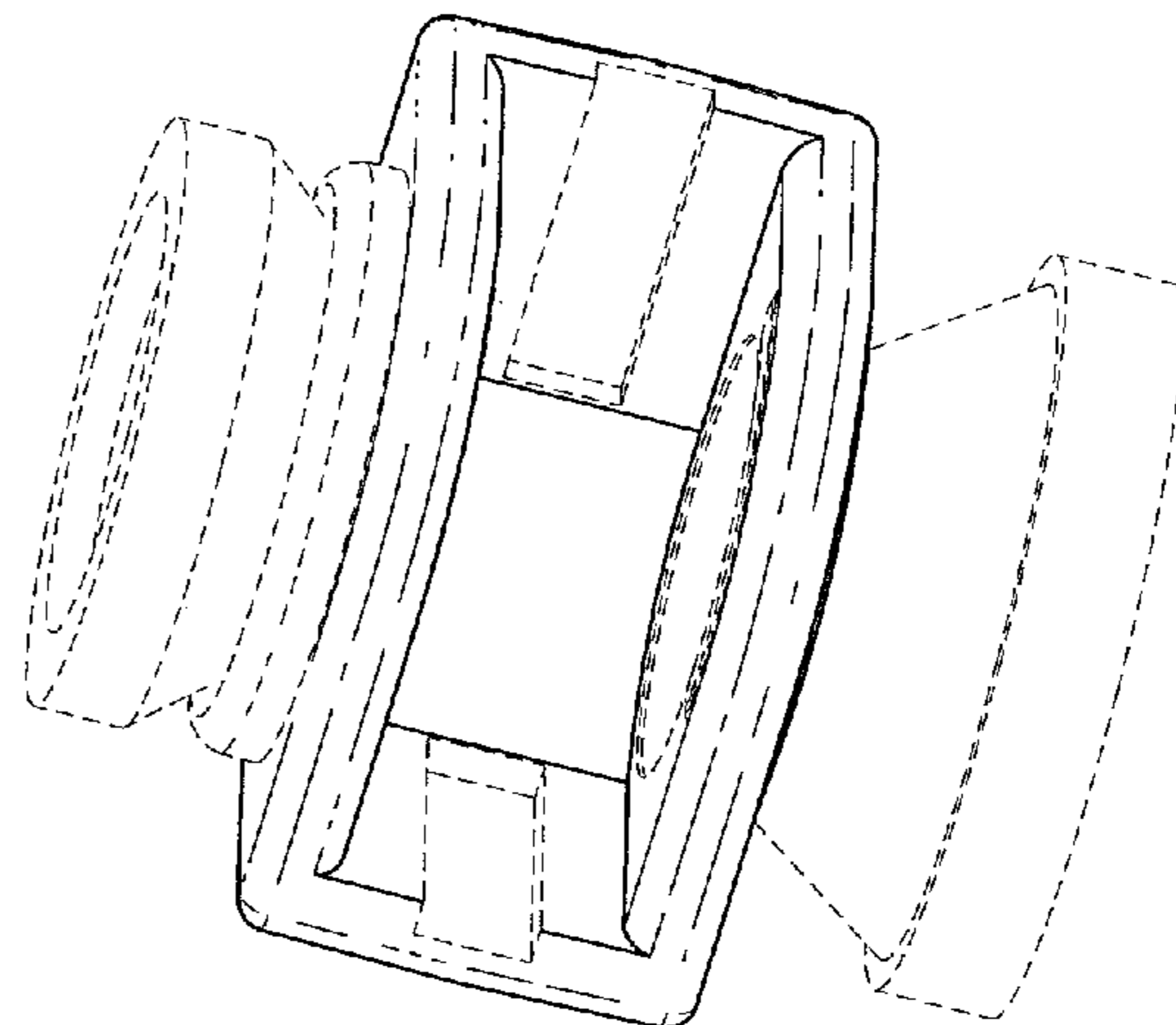
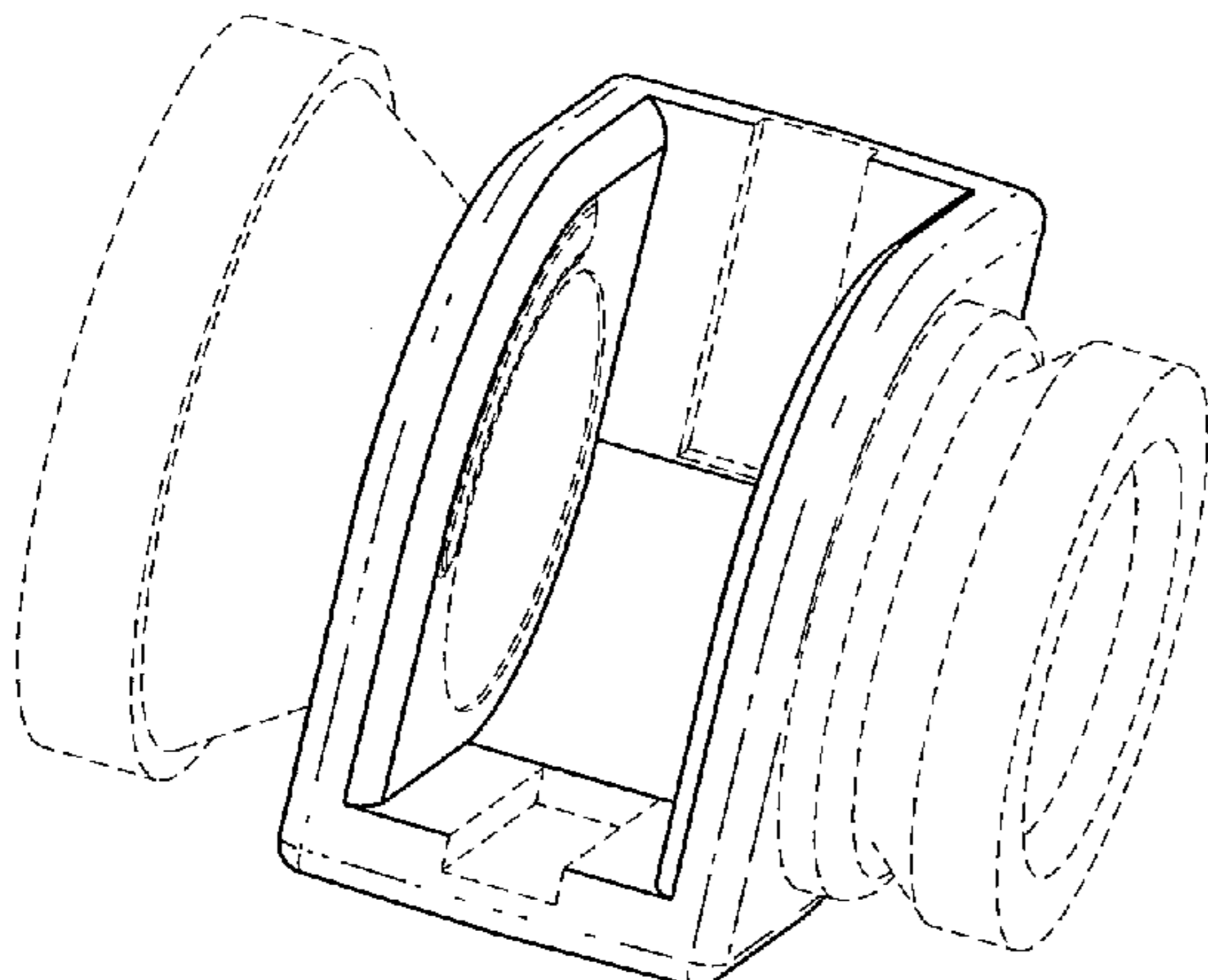
The ornamental design for an optical component mount, as shown and described.

DESCRIPTION

FIG. 1 is a front, top, and left side perspective view of an optical component mount;
FIG. 2 is a front elevational view thereof;
FIG. 3 is a rear elevational view thereof;
FIG. 4 is a left side elevational view thereof;
FIG. 5 is a right side elevational view thereof;
FIG. 6 is a top plan view thereof;
FIG. 7 is a bottom plan view thereof;
FIG. 8 is a rear, bottom, and right side perspective view thereof;
FIG. 9 is a front, bottom, and right side perspective view thereof; and,
FIG. 10 is a front, bottom, and left side perspective view thereof.

The features illustrated in phantom line form no part of the claimed design.

1 Claim, 10 Drawing Sheets



(56)

References Cited

U.S. PATENT DOCUMENTS

3,133,140 A 5/1964 Winchell
 3,138,060 A 6/1964 Eggert et al.
 3,454,323 A 7/1969 Dierks et al.
 3,620,149 A 11/1971 Ogihara
 3,680,461 A * 8/1972 Amesbury et al. 396/339
 3,796,489 A * 3/1974 Sone et al. 355/54
 3,817,601 A 6/1974 Colaiace et al.
 3,828,991 A 8/1974 Moore
 D234,700 S * 4/1975 Ritter D14/363
 D248,160 S 6/1978 Feinbloom et al.
 4,264,167 A 4/1981 Plummer
 4,305,386 A * 12/1981 Tawara 600/112
 D264,048 S 4/1982 Magner
 D274,336 S 6/1984 Huckenbeck
 D274,691 S 7/1984 Wallace
 D275,766 S 10/1984 Suzuki
 D295,871 S 5/1988 Charles
 4,760,510 A 7/1988 Lahti
 4,864,333 A * 9/1989 Barber 396/420
 4,893,143 A 1/1990 Sheng-Huei
 5,050,963 A 9/1991 Murakami
 5,054,886 A 10/1991 Ozaki et al.
 5,311,358 A 5/1994 Pederson et al.
 5,416,544 A 5/1995 Stapleton
 5,455,711 A 10/1995 Palmer
 D374,878 S 10/1996 Palmer
 D387,787 S 12/1997 Palmer
 5,831,778 A 11/1998 Chueh
 6,545,825 B2 4/2003 Shoji et al.
 6,752,516 B1 6/2004 Beadle
 6,889,006 B2 * 5/2005 Kobayashi 396/6
 D546,863 S 7/2007 Ito et al.
 D560,702 S 1/2008 Tokiwa et al.
 7,600,932 B2 10/2009 Senba et al.
 7,604,423 B2 * 10/2009 Nagata et al. 396/529
 7,639,353 B2 12/2009 Rooke
 7,967,513 B2 6/2011 Zhang
 8,000,589 B2 * 8/2011 Chan 396/27
 8,040,621 B2 10/2011 Chang et al.
 D649,970 S 12/2011 Lyford et al.
 8,073,324 B2 12/2011 Tsai
 8,279,544 B1 10/2012 O'Neill
 D678,379 S 3/2013 O'Neill et al.
 2005/0088612 A1 4/2005 Smith et al.
 2007/0053682 A1 3/2007 Chang
 2007/0275763 A1 11/2007 Sawadski et al.
 2007/0280677 A1 12/2007 Drake et al.
 2009/0109558 A1 4/2009 Schaefer
 2009/0181729 A1 7/2009 Griffin, Jr. et al.

2010/0048243 A1 2/2010 Fourquin et al.
 2010/0328420 A1 12/2010 Roman
 2011/0110654 A1 5/2011 Maki
 2013/0002939 A1 1/2013 O'Neill

FOREIGN PATENT DOCUMENTS

JP 2006 251150 9/2006
 JP 2007 206137 8/2007
 WO WO 2006 002674 1/2006

OTHER PUBLICATIONS

Design U.S. Appl. No. 29/443,884 and prosecution history, filed Jan. 23, 2013, O'Neill et al.
 Amazon.com: Fish Eye lens + Wide Angle Lens + Macro Lens 3-in-1 Kit for iPod iPhone 4G, printed on Feb. 3, 2012.
 Central District of California, Civil Docket Sheet for Case No. 8:13-CV-00601-DOC, Sep. 27, 2013, 7 pages.
 Premier Systems USA, Inc., Complaint against Defendant Ollo Electronics LLC, Central District of California Case No. 8:13-CV-00601-DOC, Apr. 15, 2013, 26 pages.
 Premier Systems USA, Inc., Memorandum of Points and Authorities in Support of Plaintiff's Ex Parte Application for Temporary Restraining Order, Seizer Order, and Order to Show Cause, Central District of California Case No. 8:13-CV-00601-DOC, Apr. 15, 2013, 24 pages.
 Ollo Electronics LLC, Defendant's Opposition to Plaintiff's Motion for Temporary Restraining Order, Seizer Order, and Order to Show Cause, Central District of California Case No. 8:13-CV-00601-DOC, Apr. 22, 2013, 18 pages.
 Ollo Electronics LLC, Answer to Complaint, Central District of California Case No. 8:13-CV-00601-DOC, May 10, 2013, 15 pages.
 Premier Systems USA, Inc., First Amended Complaint against Defendant Ollo Electronics LLC, Central District of California Case No. 8:13-CV-00601-DOC, May 31, 2013, 137 pages.
 Ollo Electronics LLC, Answer to Amended Complaint, Central District of California Case No. 8:13-CV-00601-DOC, Jun. 17, 2013, 18 pages.
 Central District of California, Final Consent Judgment, Central District of California Case No. 8:13-CV-00601-DOC, Sep. 23, 2013, 9 pages.
 Southern District of California, Civil Docket Sheet for Case No. 3:13-CV-02281-DMS, Sep. 27, 2013, 2 pages.
 Premier Systems USA, Inc., Complaint against Defendants Shah and LivingSocial, Inc., Southern District of California Case No. 3:13-CV-02281-DMS, Sep. 23, 2013, 117 pages.

* cited by examiner

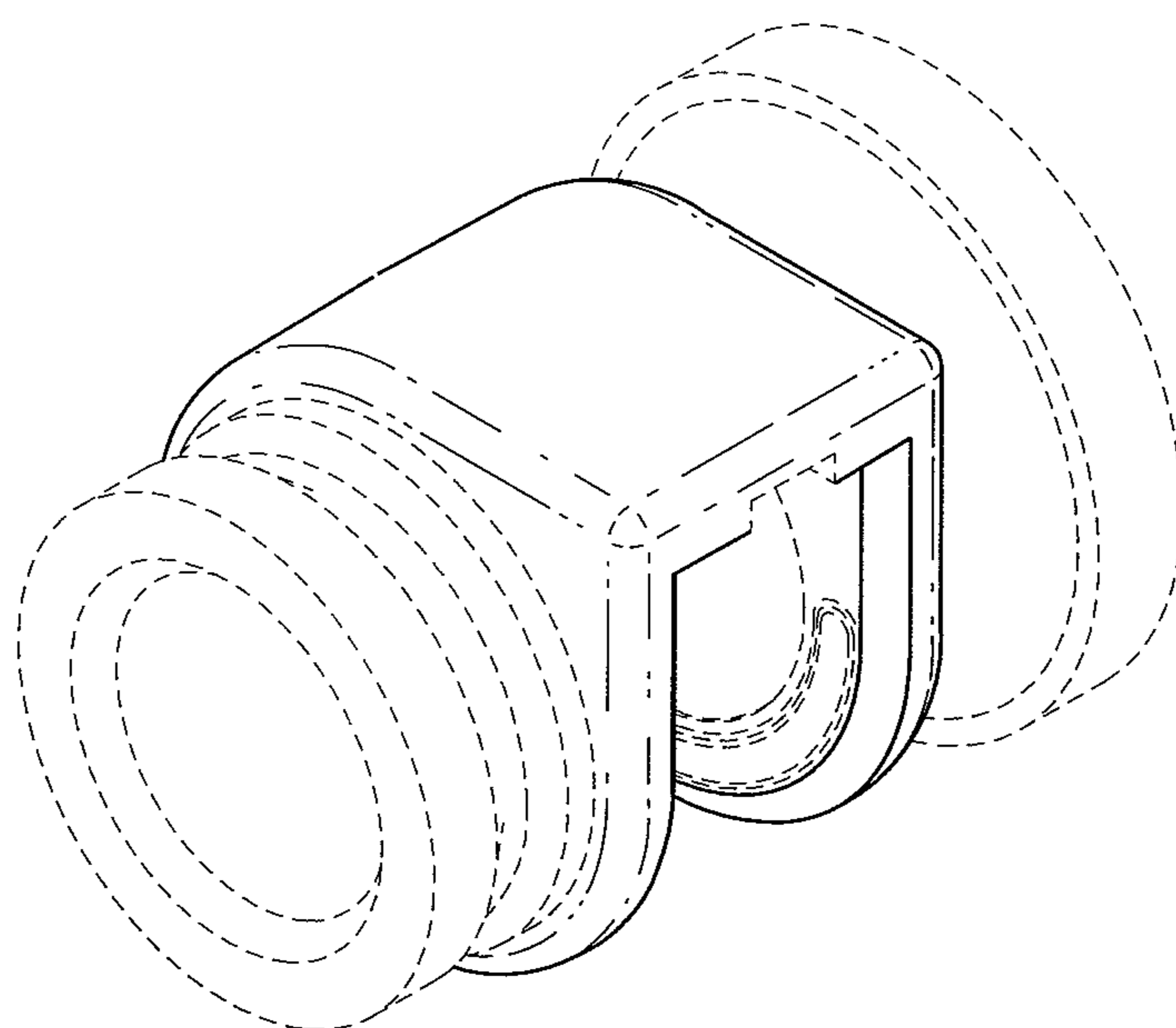


FIG. 1

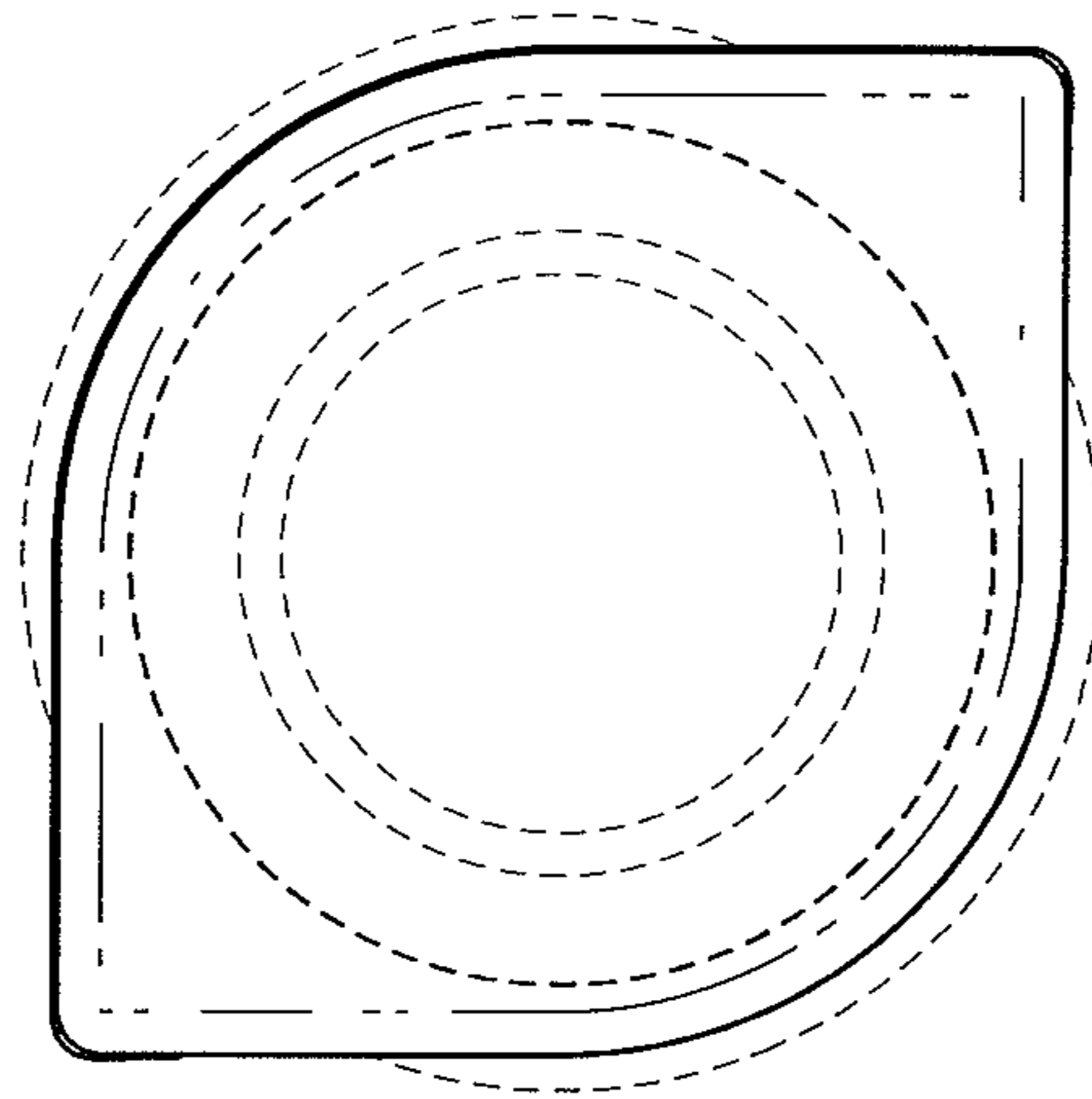


FIG. 2

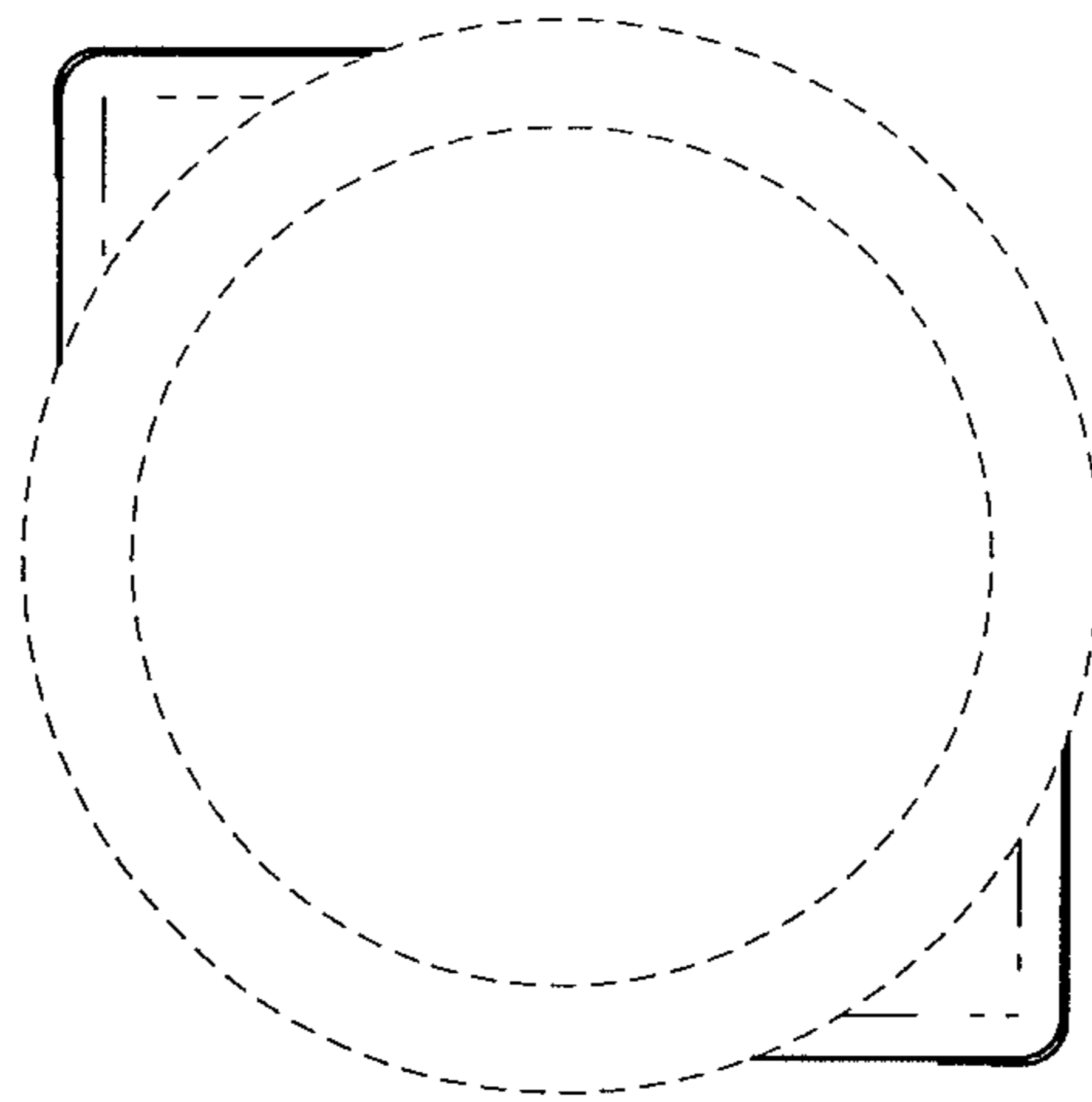


FIG. 3

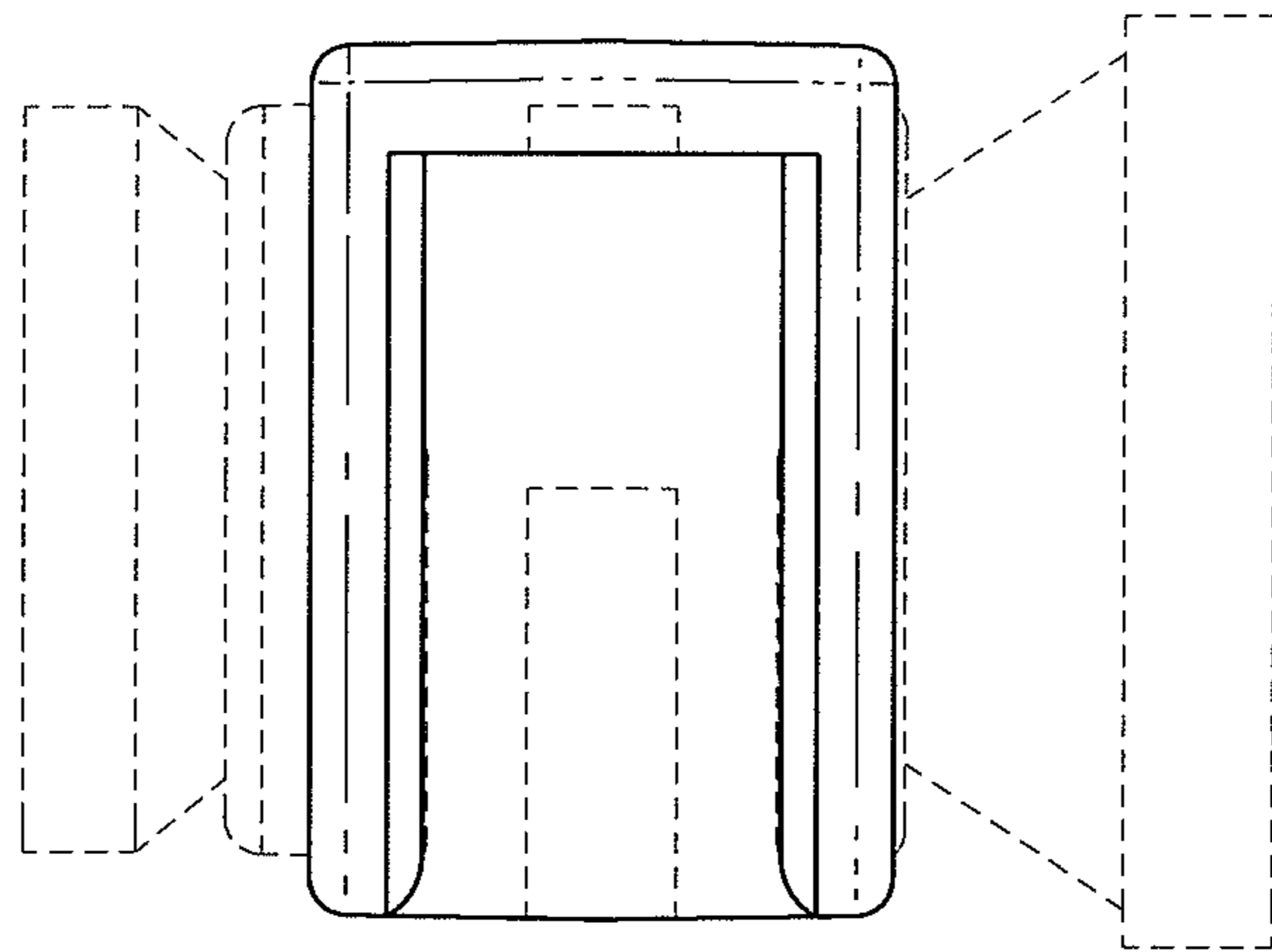


FIG. 4

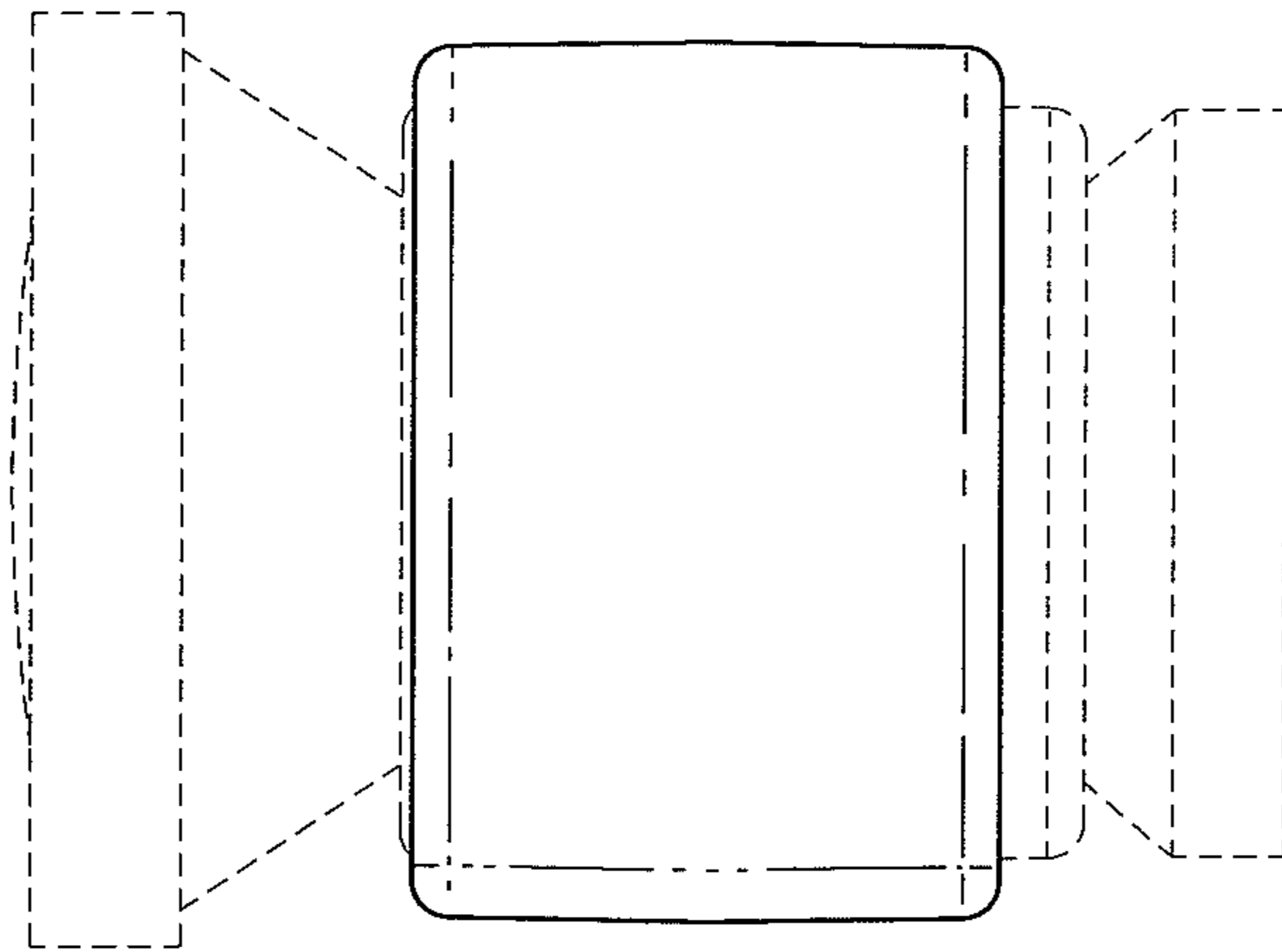


FIG. 5

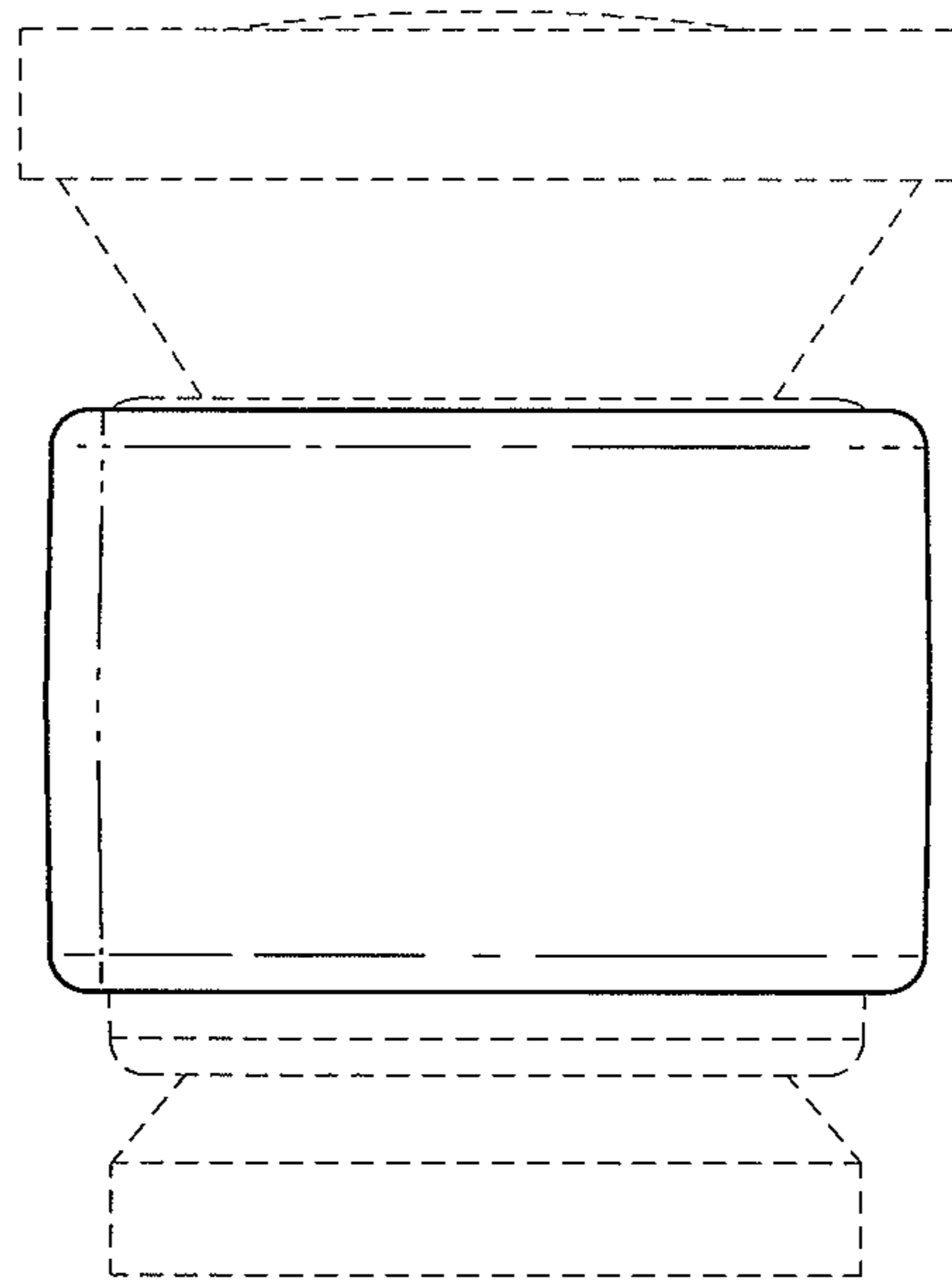


FIG. 6

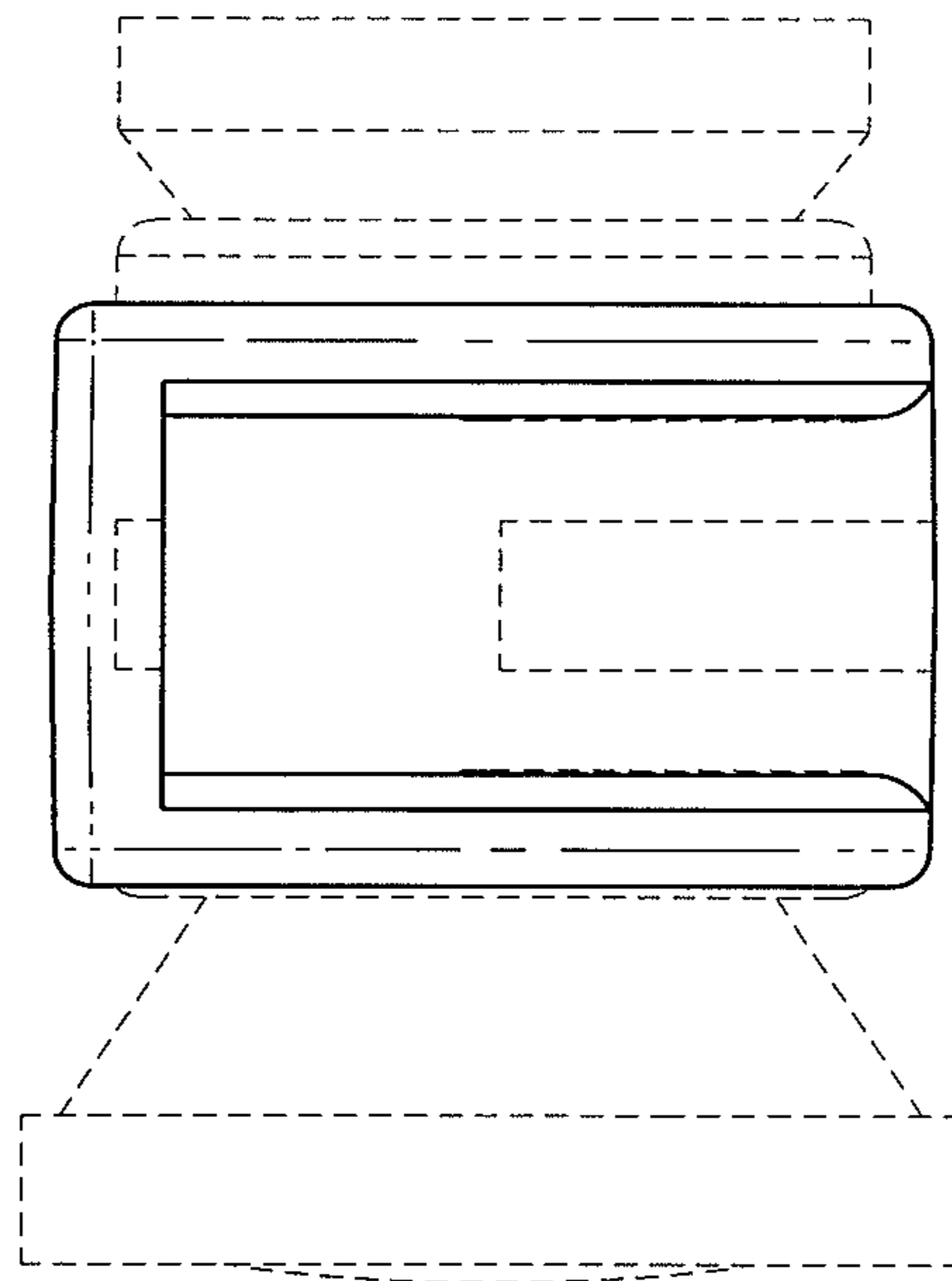


FIG. 7

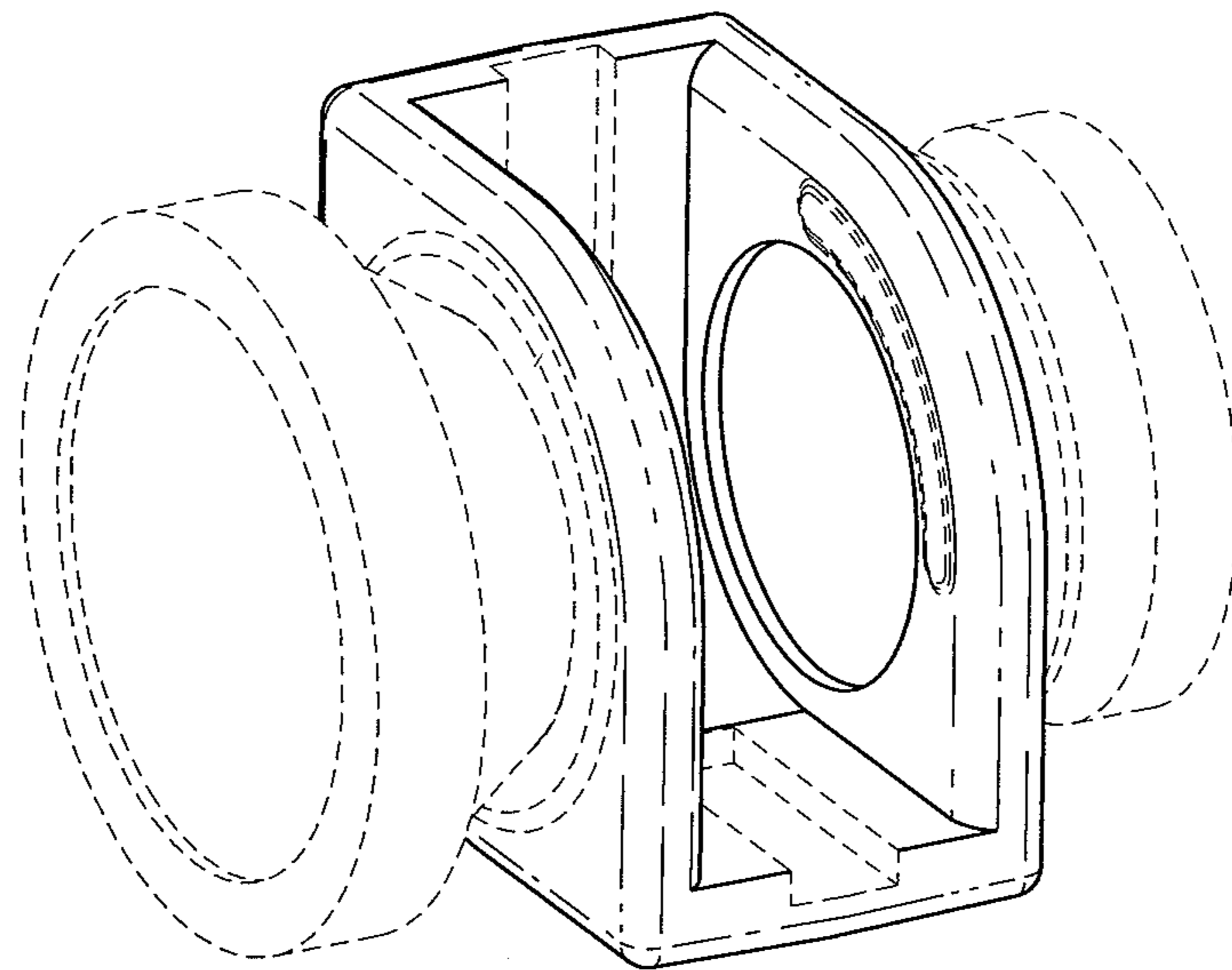


FIG. 8

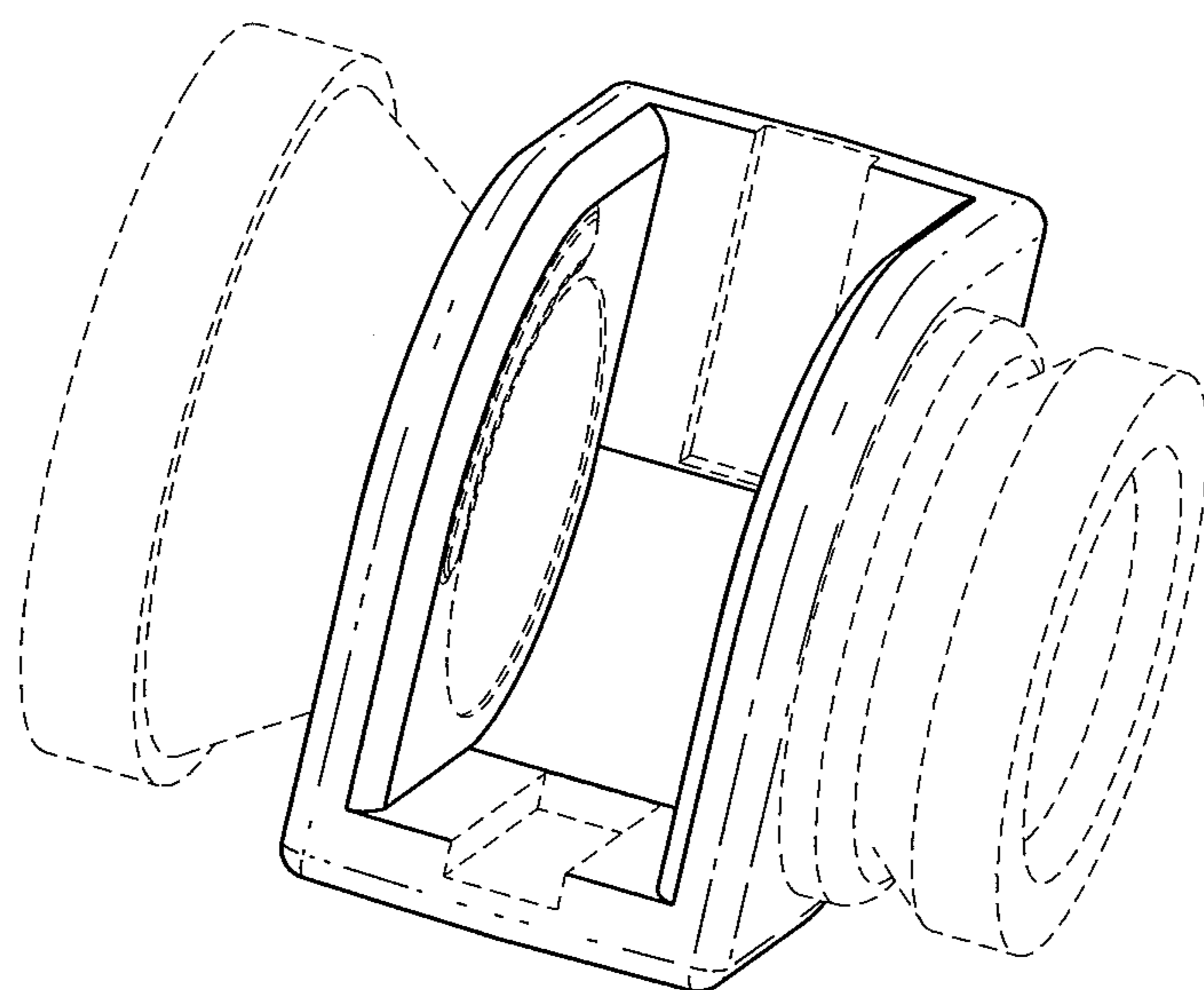


FIG. 9

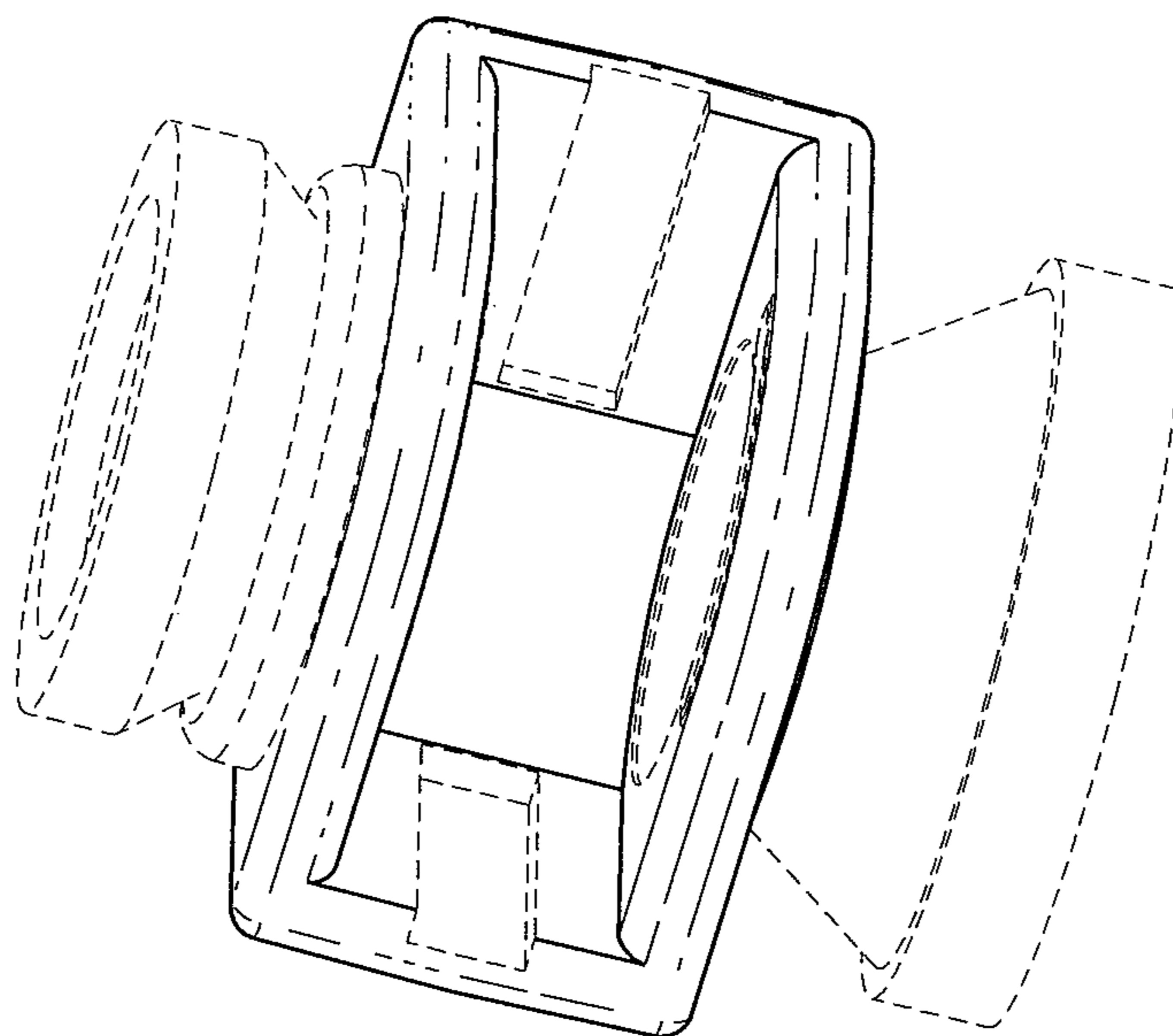


FIG. 10