



US00D700227S

(12) **United States Design Patent**
Kile

(10) **Patent No.:** **US D700,227 S**

(45) **Date of Patent:** **** Feb. 25, 2014**

(54) **TRANSPARENT OIL MONITORING AND MAINTENANCE COVER**

(71) Applicant: **Ronald J. Kile**, Rosalia, WA (US)

(72) Inventor: **Ronald J. Kile**, Rosalia, WA (US)

(**) Term: **14 Years**

(21) Appl. No.: **29/437,476**

(22) Filed: **Nov. 16, 2012**

(51) **LOC (10) Cl.** **15-99**

(52) **U.S. Cl.**
USPC **D15/150**

(58) **Field of Classification Search**
USPC D9/454; D15/150, 151, 152; 137/87;
141/86; 184/6.23, 6.4, 27.3, 6.24, 6.28,
184/27.1, 31, 55, 58.65, 81, 108; 248/129;
280/47.34, 79.2, 79.5; 364/140;
418/270

See application file for complete search history.

(56) **References Cited**

U.S. PATENT DOCUMENTS

D113,679 S	3/1939	Neely	
4,149,575 A	4/1979	Fisher	
D332,300 S	1/1993	Eastom	
D337,594 S	7/1993	Strauch	
D342,531 S	12/1993	Commander et al.	
5,313,991 A *	5/1994	Murray et al.	141/86
D374,447 S	10/1996	Brewer	
D380,814 S *	7/1997	Brewer	D23/220
D381,030 S	7/1997	Tepman	
D399,224 S	10/1998	Maynard	
D411,800 S	7/1999	Kokenge et al.	
D419,881 S	2/2000	Kokenge et al.	
D536,614 S	2/2007	Peterson et al.	
D585,280 S	1/2009	Stuart	
D594,326 S	6/2009	Colacitti	
D597,837 S	8/2009	Stuart	

7,921,884 B2 *	4/2011	Brewer et al.	141/86
D639,414 S	6/2011	Berndt	
D666,227 S	8/2012	Kile	
2006/0175326 A1	8/2006	Kirkland et al.	
2007/0014102 A1	1/2007	Drane et al.	
2008/0169293 A1	7/2008	Kurtz et al.	

* cited by examiner

Primary Examiner — Patricia Palasik

(74) *Attorney, Agent, or Firm* — Parsons & Goltry; Michael W. Goltry; Robert A. Parsons

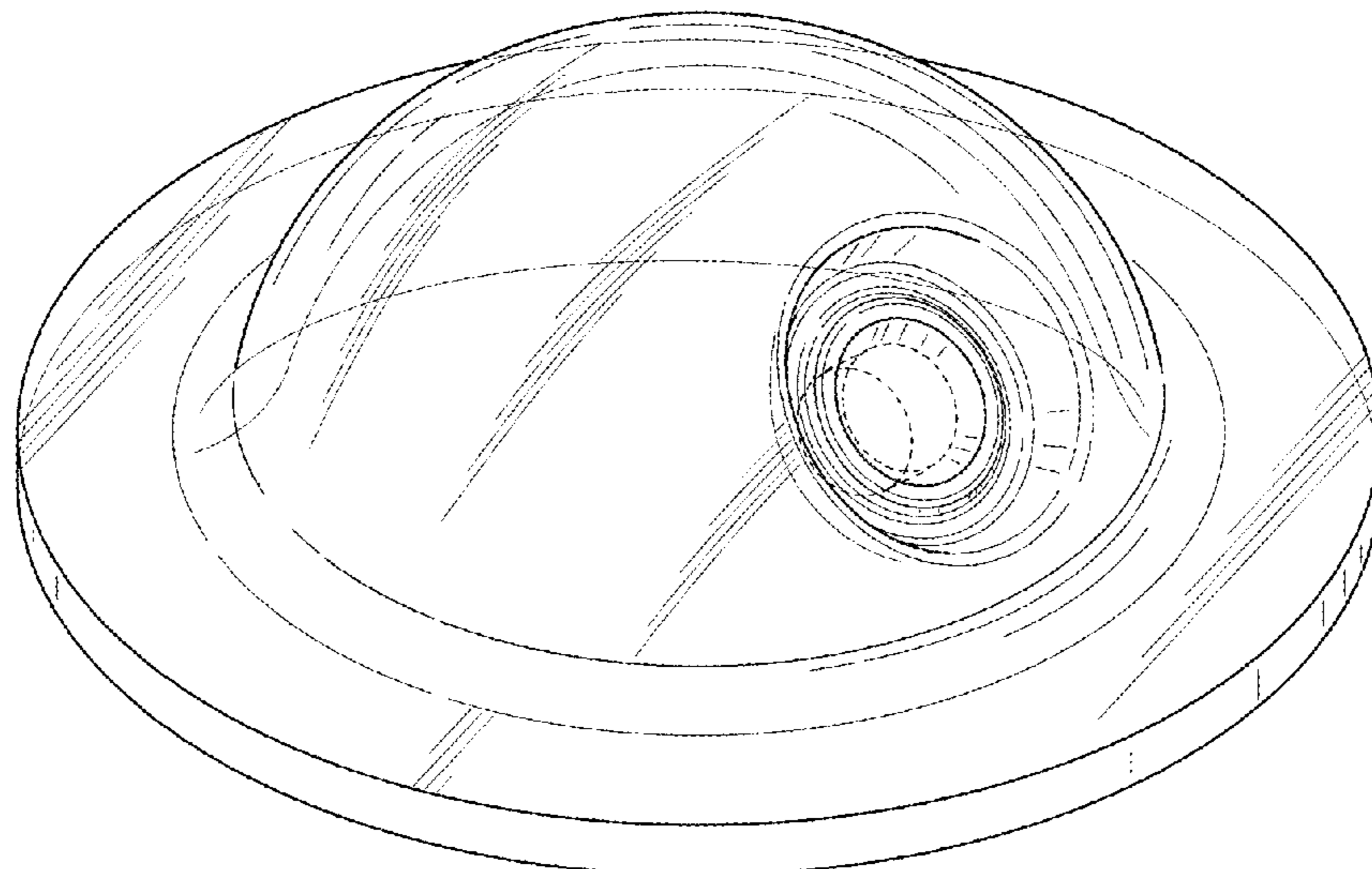
(57) **CLAIM**

The ornamental design for a transparent oil monitoring and maintenance cover.

DESCRIPTION

FIG. 1 is a top perspective view of a transparent oil monitoring and maintenance cover showing my new design;
 FIG. 2 is a bottom perspective view thereof;
 FIG. 3 is a front elevation view thereof;
 FIG. 4 is a rear elevation view thereof;
 FIG. 5 is a right side elevation view thereof, the opposing left side elevation view being the same thereof;
 FIG. 6 is a top plan view thereof;
 FIG. 7 is a bottom plan view thereof;
 FIG. 8 is a top perspective view of an alternate embodiment of a transparent oil monitoring and maintenance cover showing my new new design;
 FIG. 9 is a bottom perspective view thereof;
 FIG. 10 is a front elevation view thereof;
 FIG. 11 is a rear elevation view thereof;
 FIG. 12 is a right side elevation view thereof, the opposing left side elevation view being the same thereof;
 FIG. 13 is a top plan view thereof; and,
 FIG. 14 is a bottom plan view thereof.
 The broken lines in the drawings depict unclaimed environmental subject matter.

1 Claim, 10 Drawing Sheets



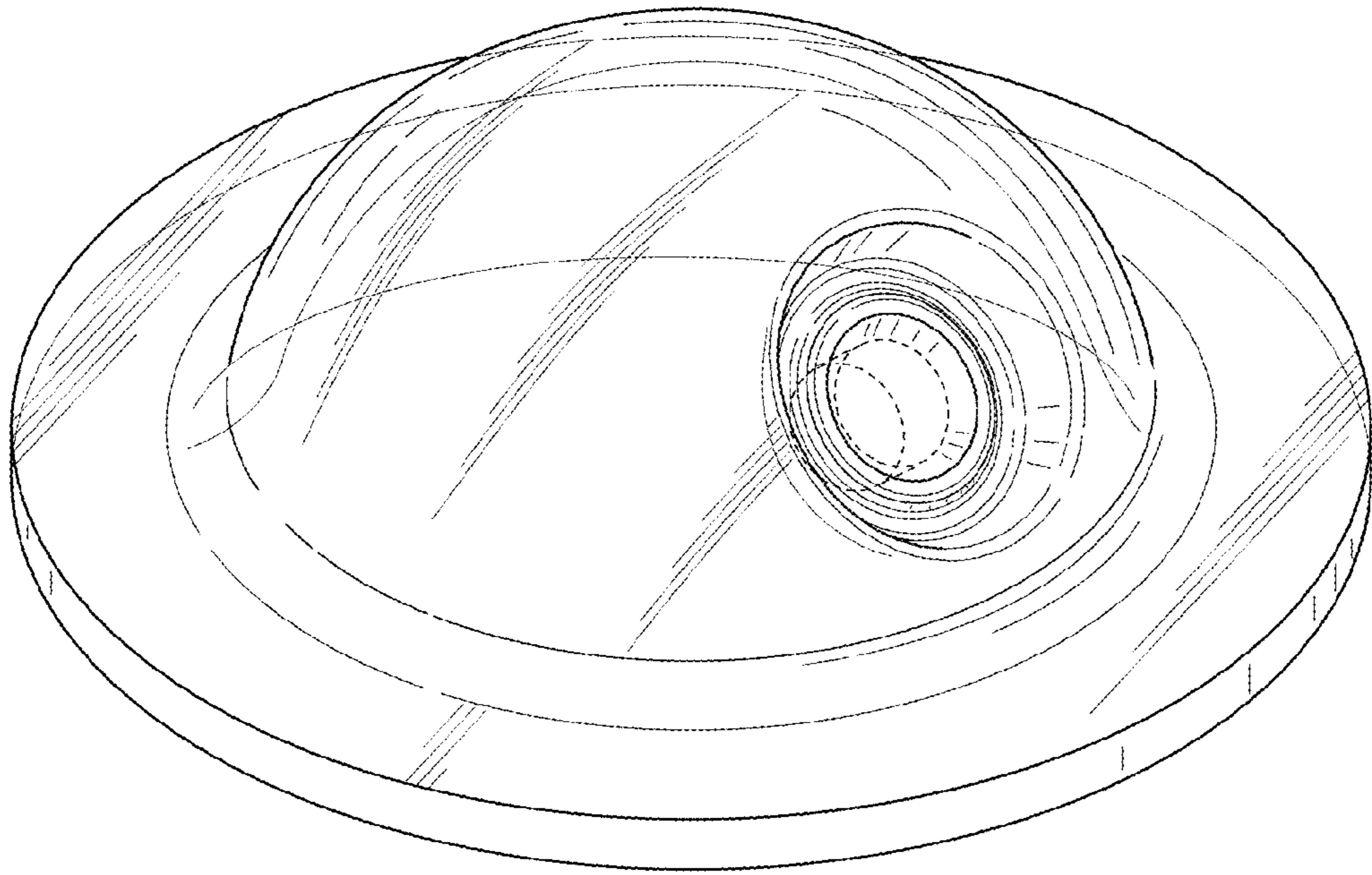


FIG. 1

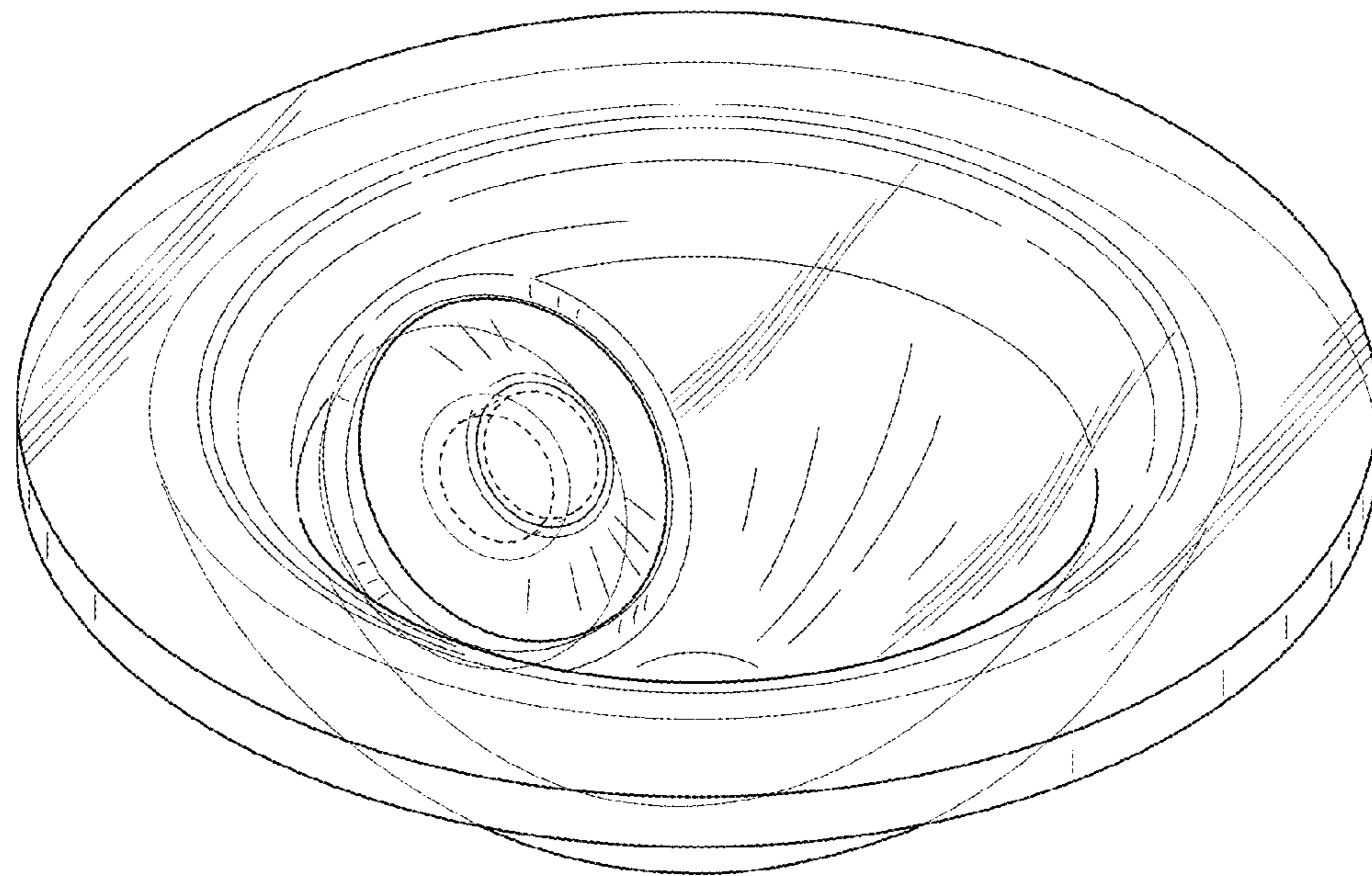


FIG. 2

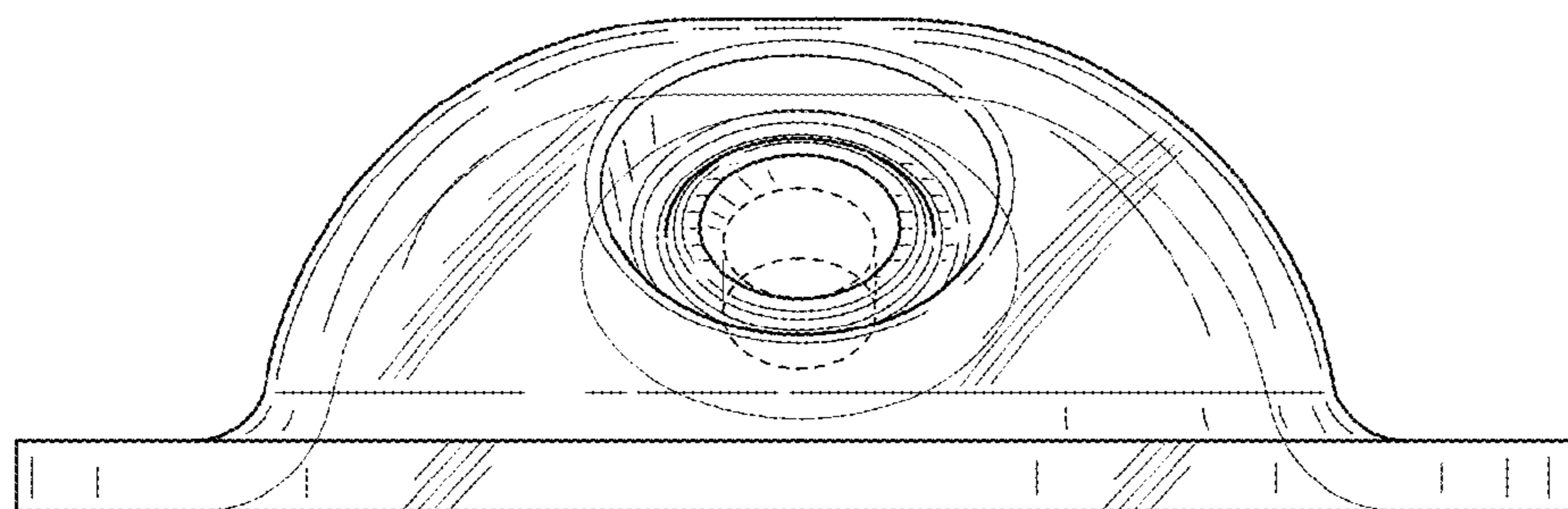


FIG. 3

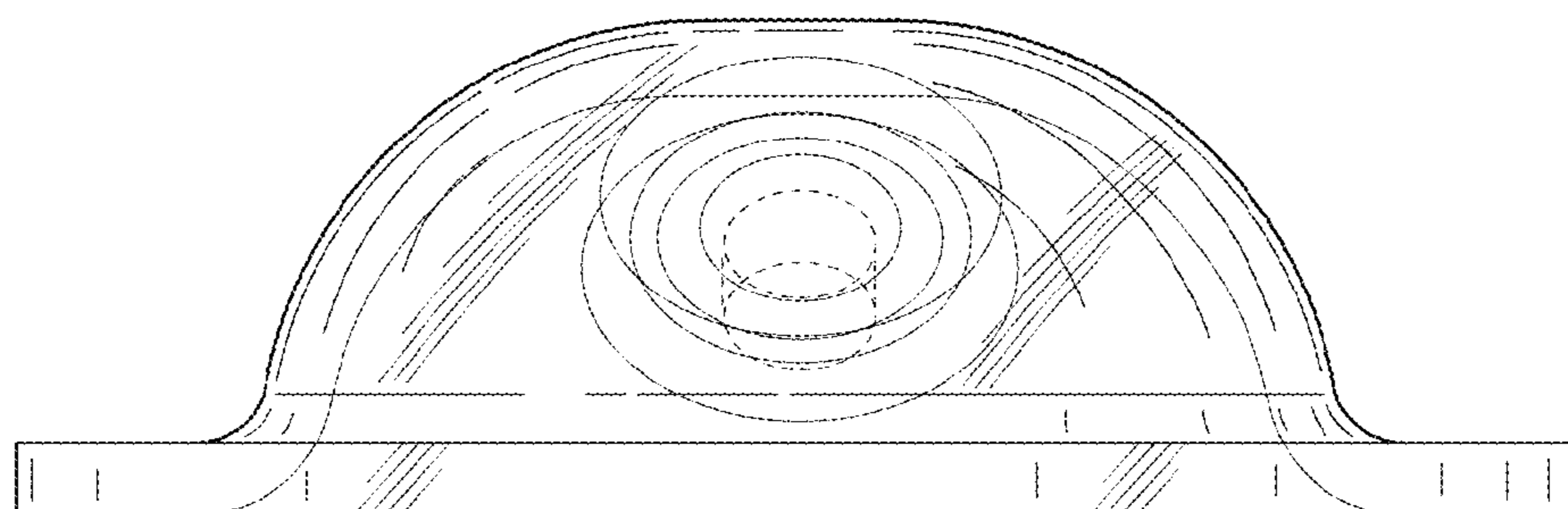


FIG. 4

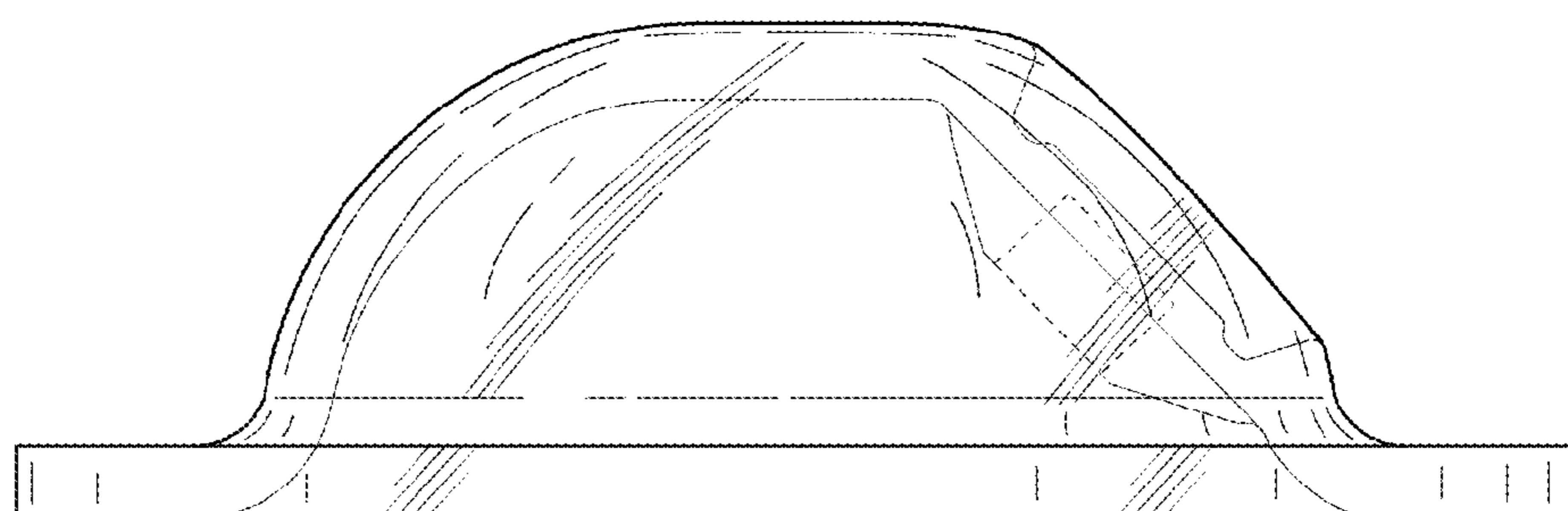


FIG. 5

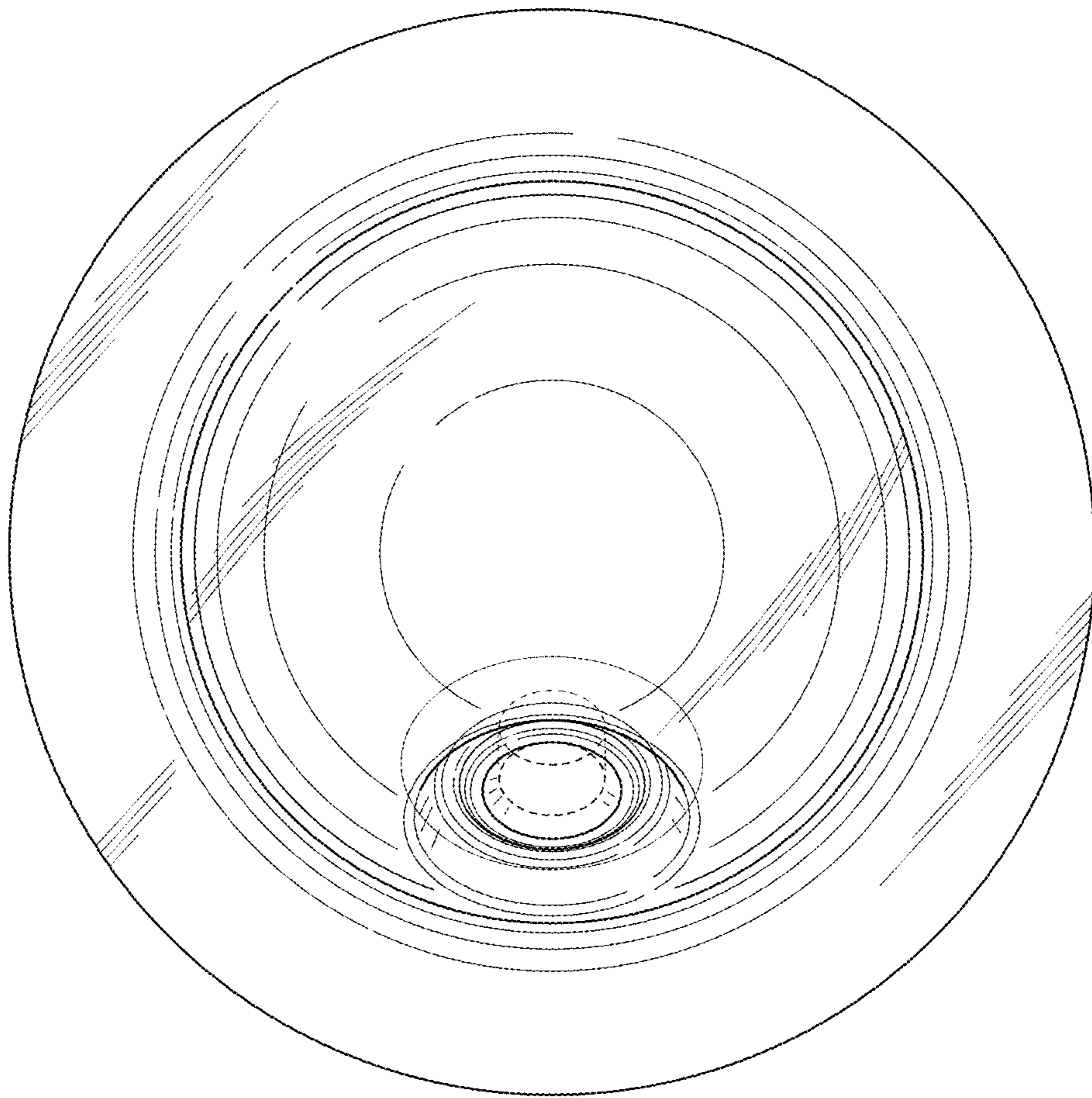


FIG. 6

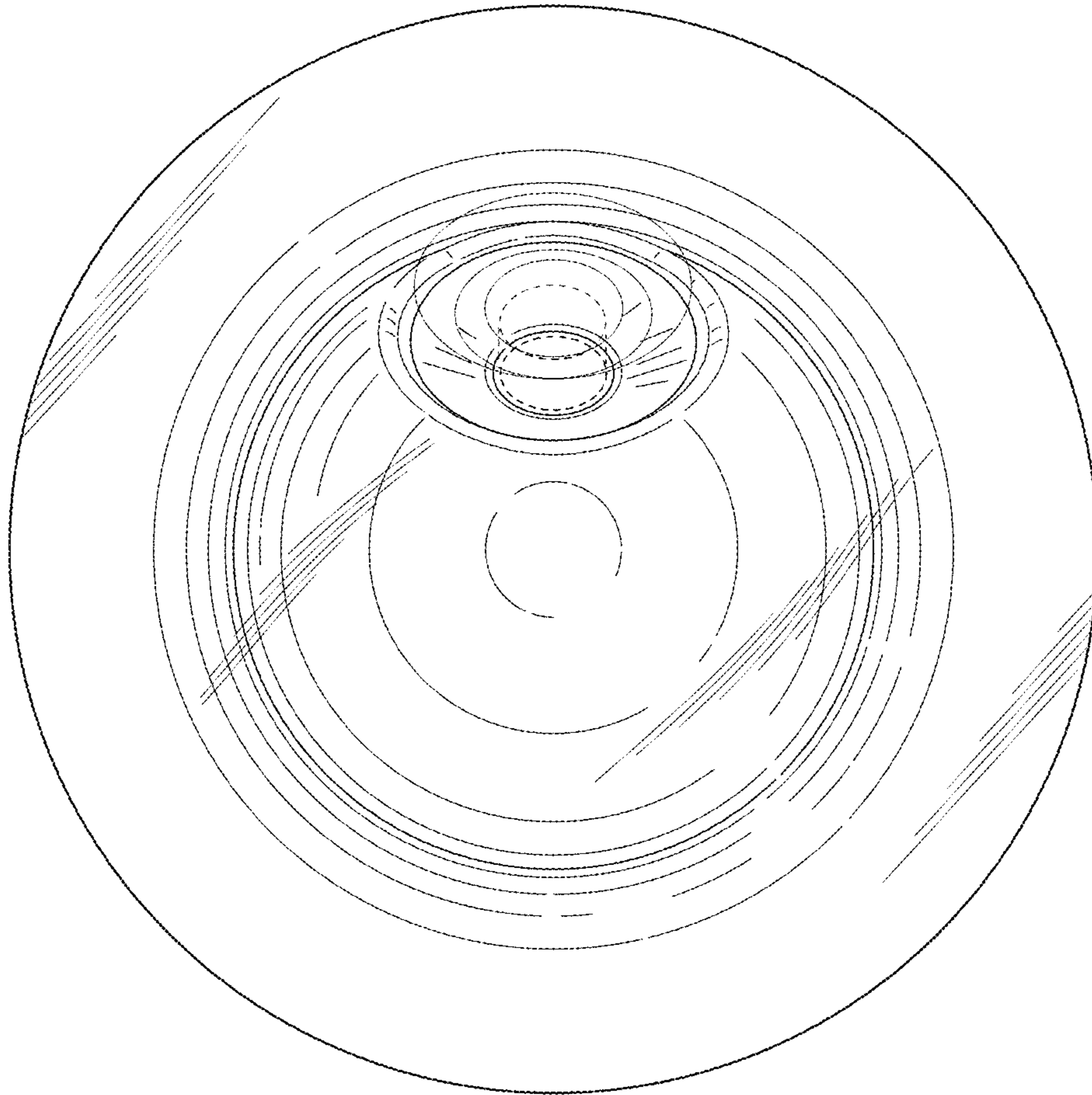


FIG. 7

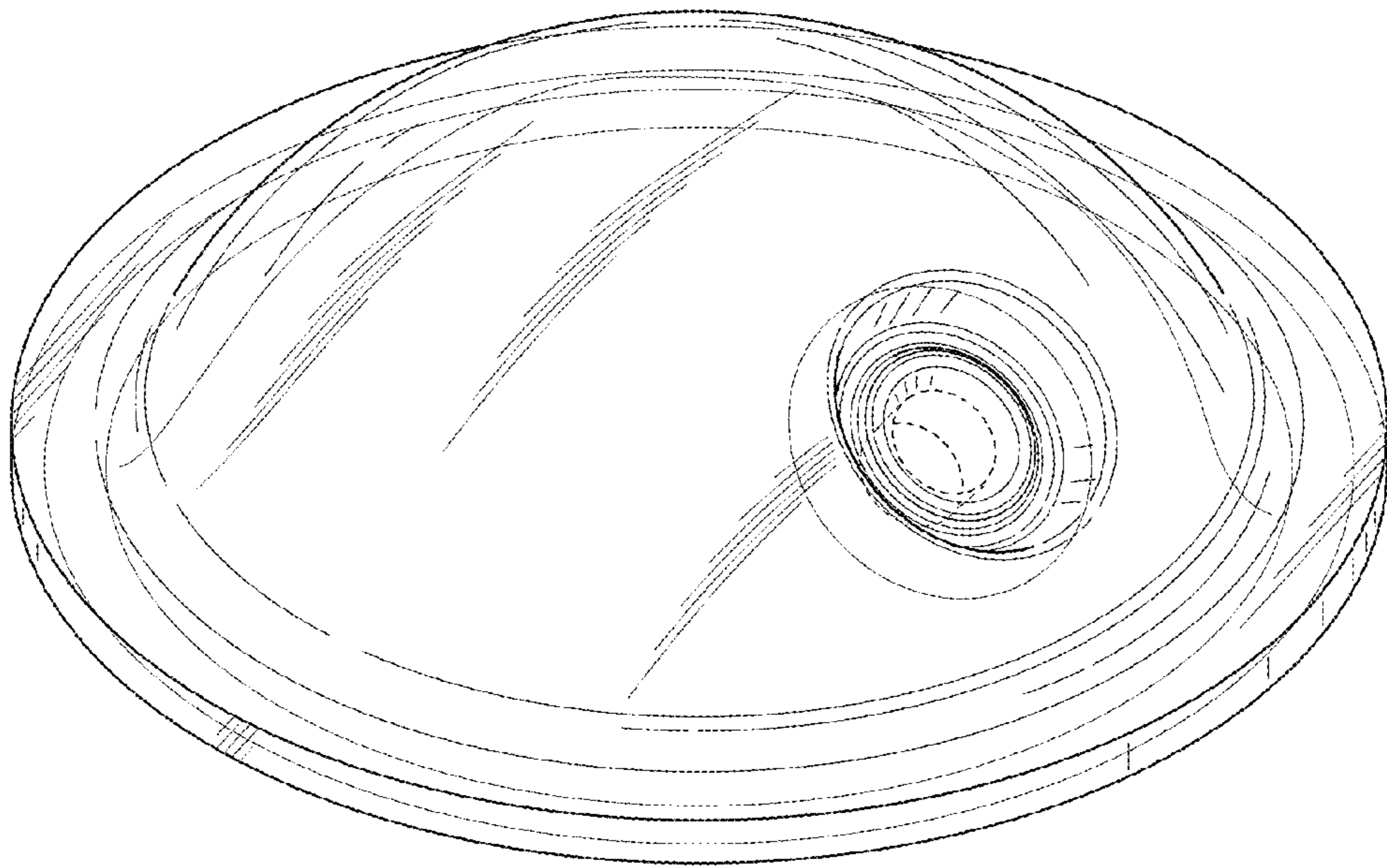


FIG. 8

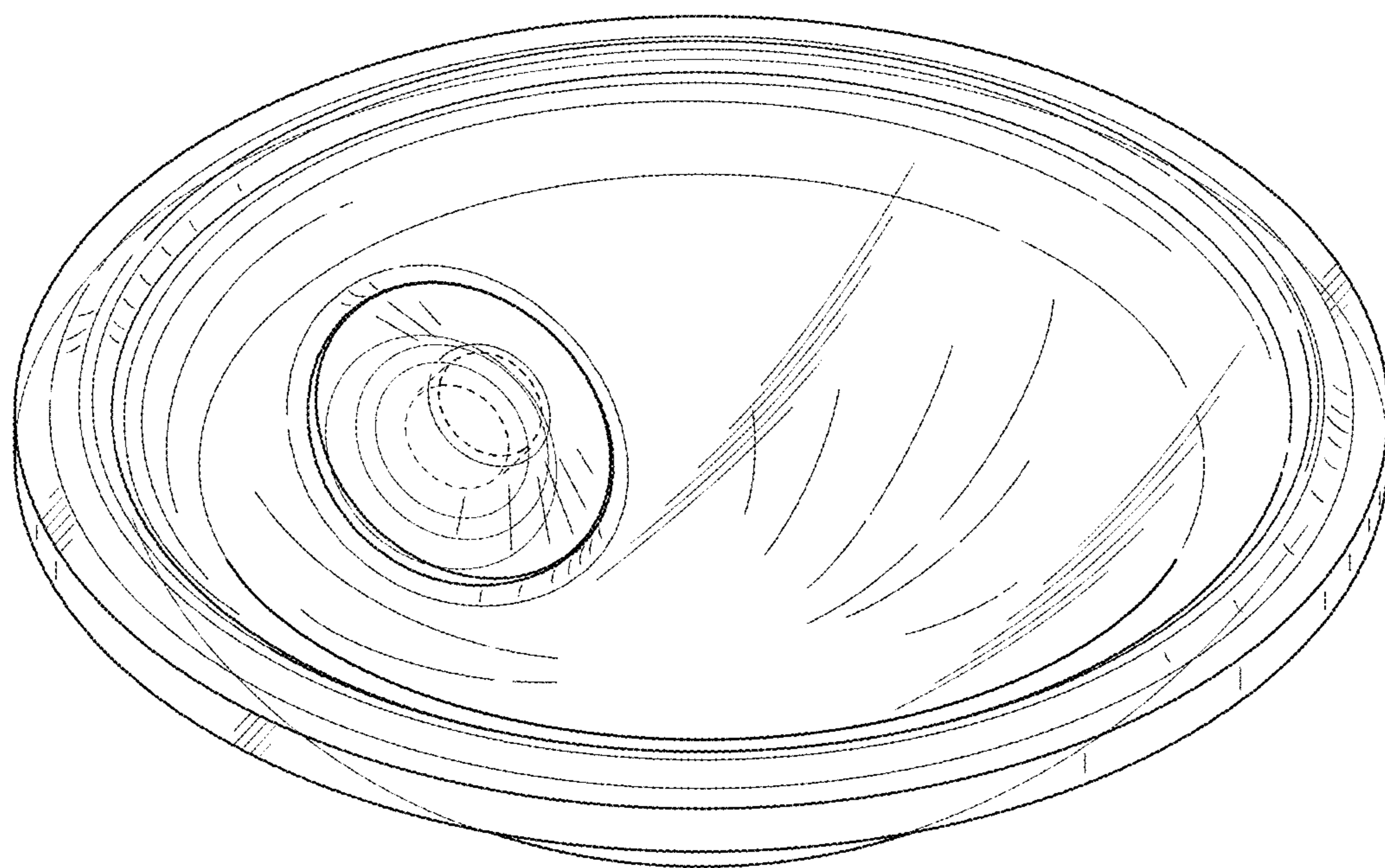


FIG. 9

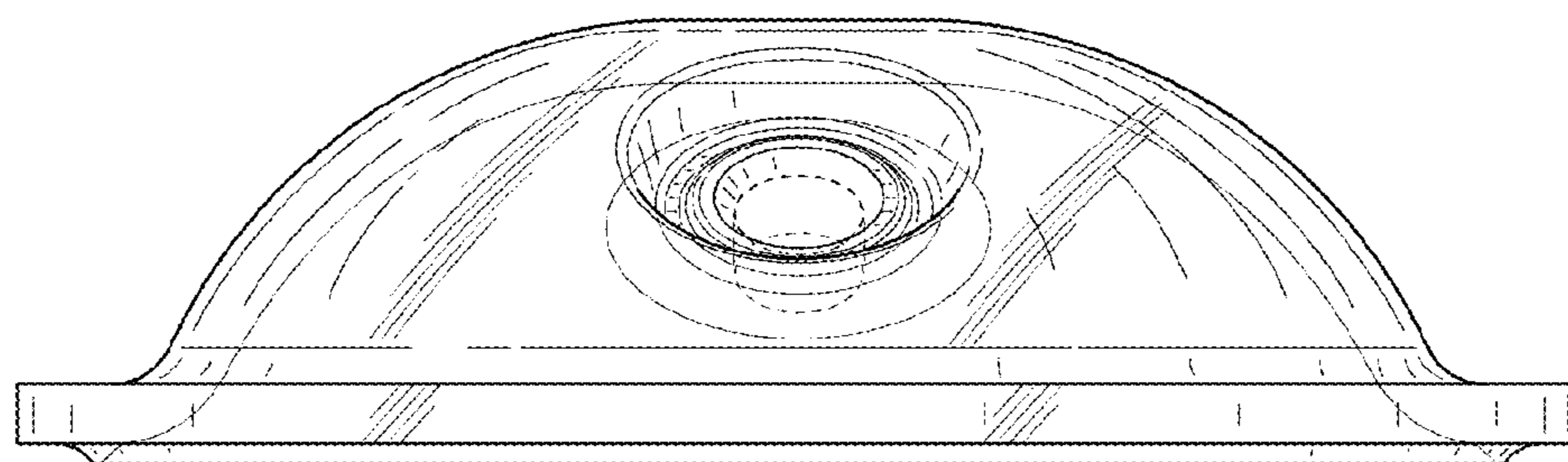


FIG. 10

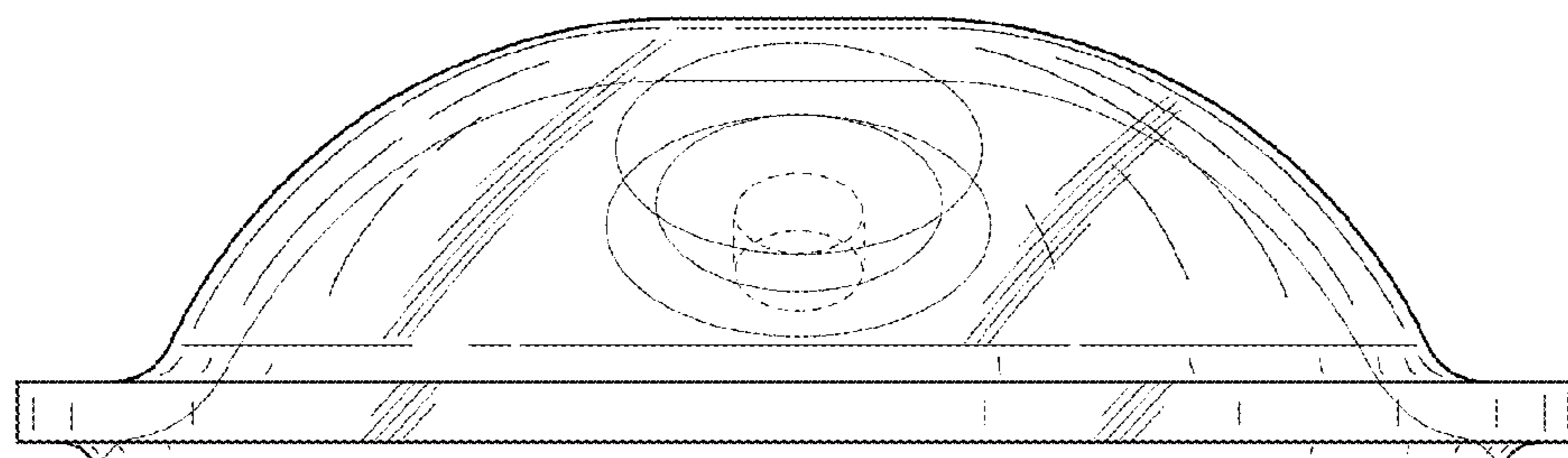


FIG. 11

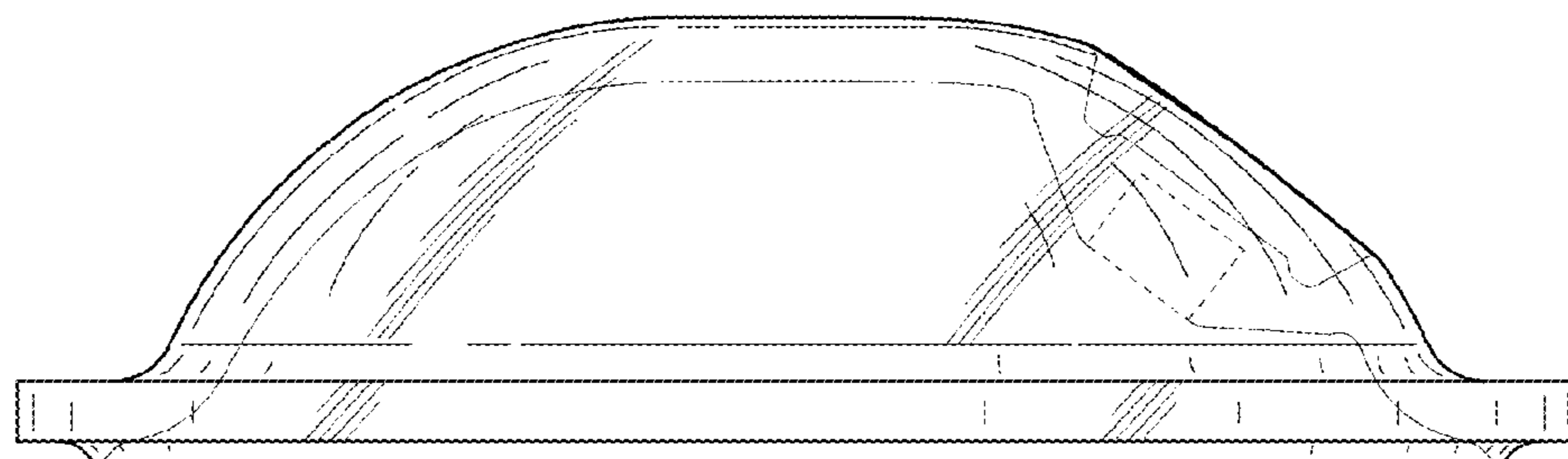


FIG. 12

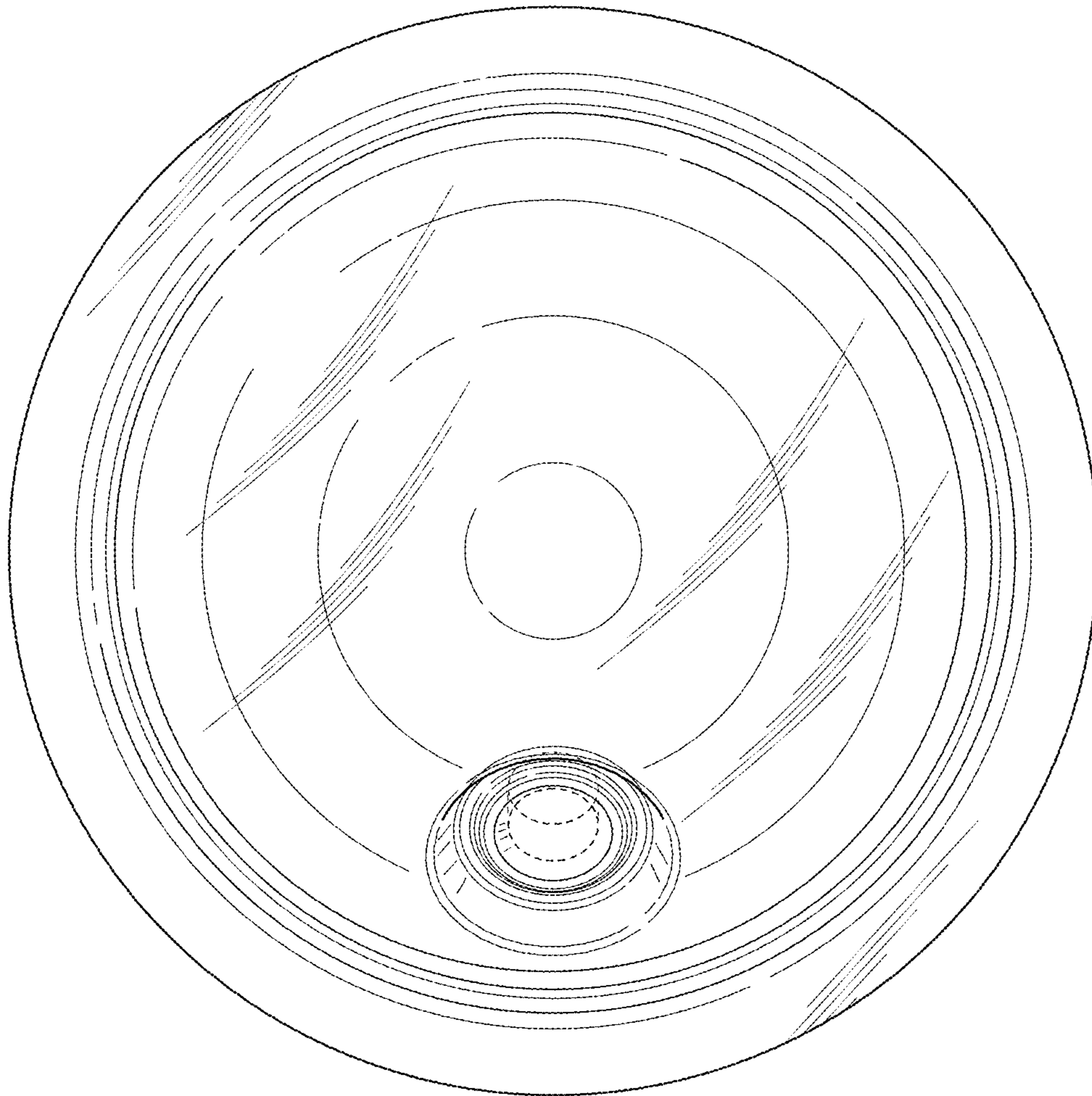


FIG. 13

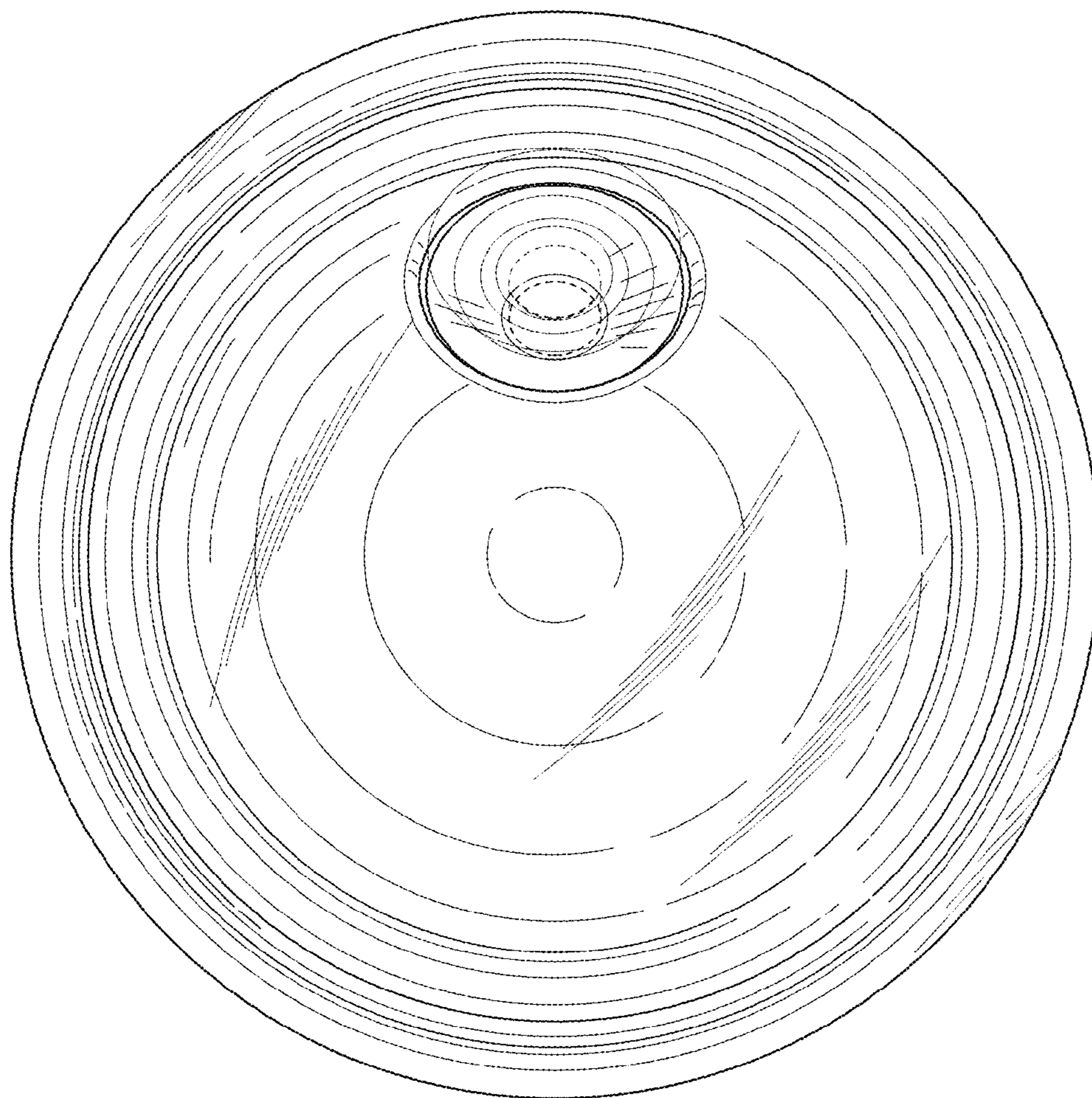


FIG. 14