



US00D700226S

(12) **United States Design Patent**
Yaegashi

(10) **Patent No.:** **US D700,226 S**

(45) **Date of Patent:** **** Feb. 25, 2014**

(54) **TRUNNION SUPPORT FITTING FOR FLUID PRESSURE CYLINDER**

(71) Applicant: **Makoto Yaegashi**, Tsukubamirai (JP)

(72) Inventor: **Makoto Yaegashi**, Tsukubamirai (JP)

(73) Assignee: **SMC Corporation**, Chiyoda-ku, Tokyo (JP)

(**) Term: **14 Years**

(21) Appl. No.: **29/471,971**

(22) Filed: **Nov. 7, 2013**

(30) **Foreign Application Priority Data**

Jul. 3, 2013 (JP) 2013-015133

(51) **LOC (10) Cl.** **15-09**

(52) **U.S. Cl.**
USPC **D15/143**

(58) **Field of Classification Search**
USPC D13/118, 158, 162, 184; D15/1-5, 7, 9, D15/143, 148, 149, 199; 74/90.15, 411.5, 74/411.54, 490.09; 91/394, 395, 407, 408; 92/28, 88, 128, 137, 143, 168, 169, 92/177; 297/14, 325, 327; 310/10, 12, 15, 310/20, 20.8, 80, 300

See application file for complete search history.

(56) **References Cited**

U.S. PATENT DOCUMENTS

D264,972 S * 6/1982 McMillin et al. D15/7
5,245,912 A * 9/1993 Muller et al. 92/137

6,089,111 A * 7/2000 Machijima 73/866.5
6,568,313 B2 * 5/2003 Fukui et al. 92/168
D480,405 S * 10/2003 Kleffmann et al. D15/143
D542,682 S * 5/2007 Waki D10/85
D561,207 S * 2/2008 Yaegashi D15/143
D572,282 S * 7/2008 Yaegashi D15/143

* cited by examiner

Primary Examiner — Patricia Palasik

(74) *Attorney, Agent, or Firm* — Yokoi & Co., U.S.A., Inc.; Toshiyuki Yokoi

(57) **CLAIM**

The ornamental design for a trunnion support fitting for fluid pressure cylinder, as shown and described.

DESCRIPTION

FIG. 1 shows a front view of a trunnion support fitting for fluid pressure cylinder showing my new design;
FIG. 2 shows a rear view thereof;
FIG. 3 shows a right side view thereof;
FIG. 4 shows a left side view thereof;
FIG. 5 shows a top view thereof;
FIG. 6 shows a bottom view thereof;
FIG. 7 shows a top, front and left side perspective view thereof;
FIG. 8 shows a top, front and left side exploded perspective view thereof; and,
FIG. 9 shows a top, front and left side perspective view thereof in use with a fluid pressure cylinder.
The fluid pressure cylinder shown in broken lines in FIG. 9 is for the purpose of illustrating the environment only and forms no part of the claimed design.

1 Claim, 8 Drawing Sheets

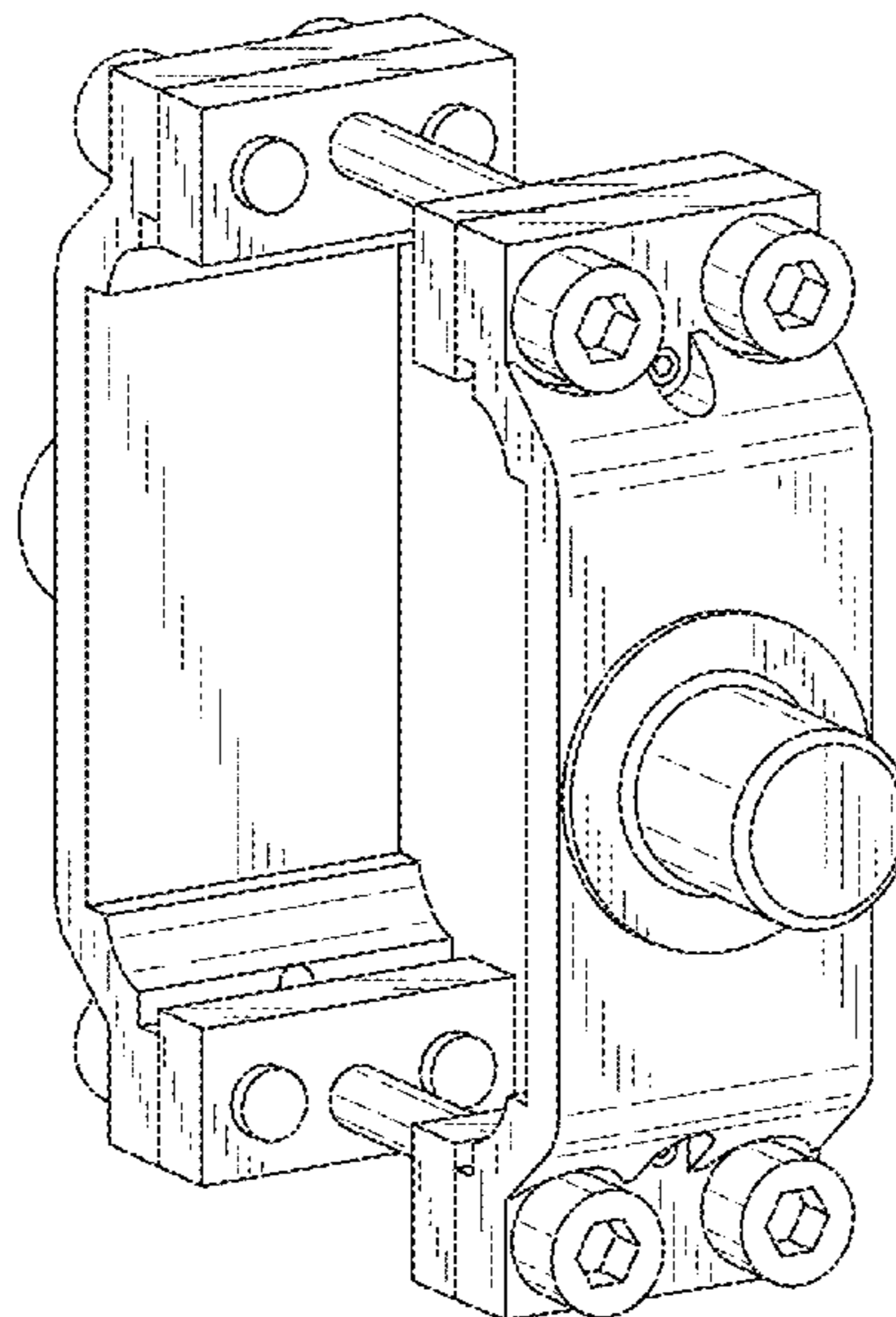


FIG. 1

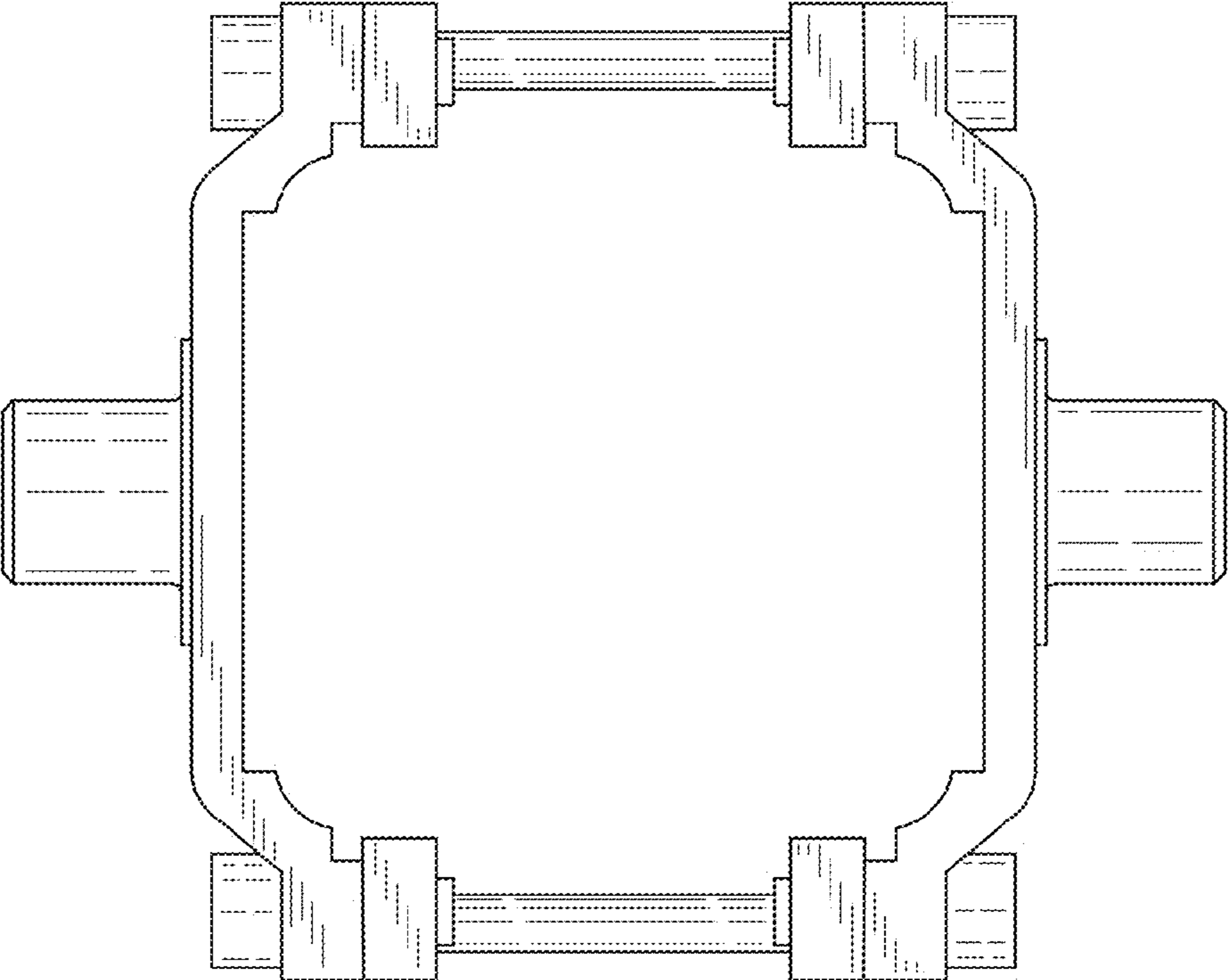


FIG. 2

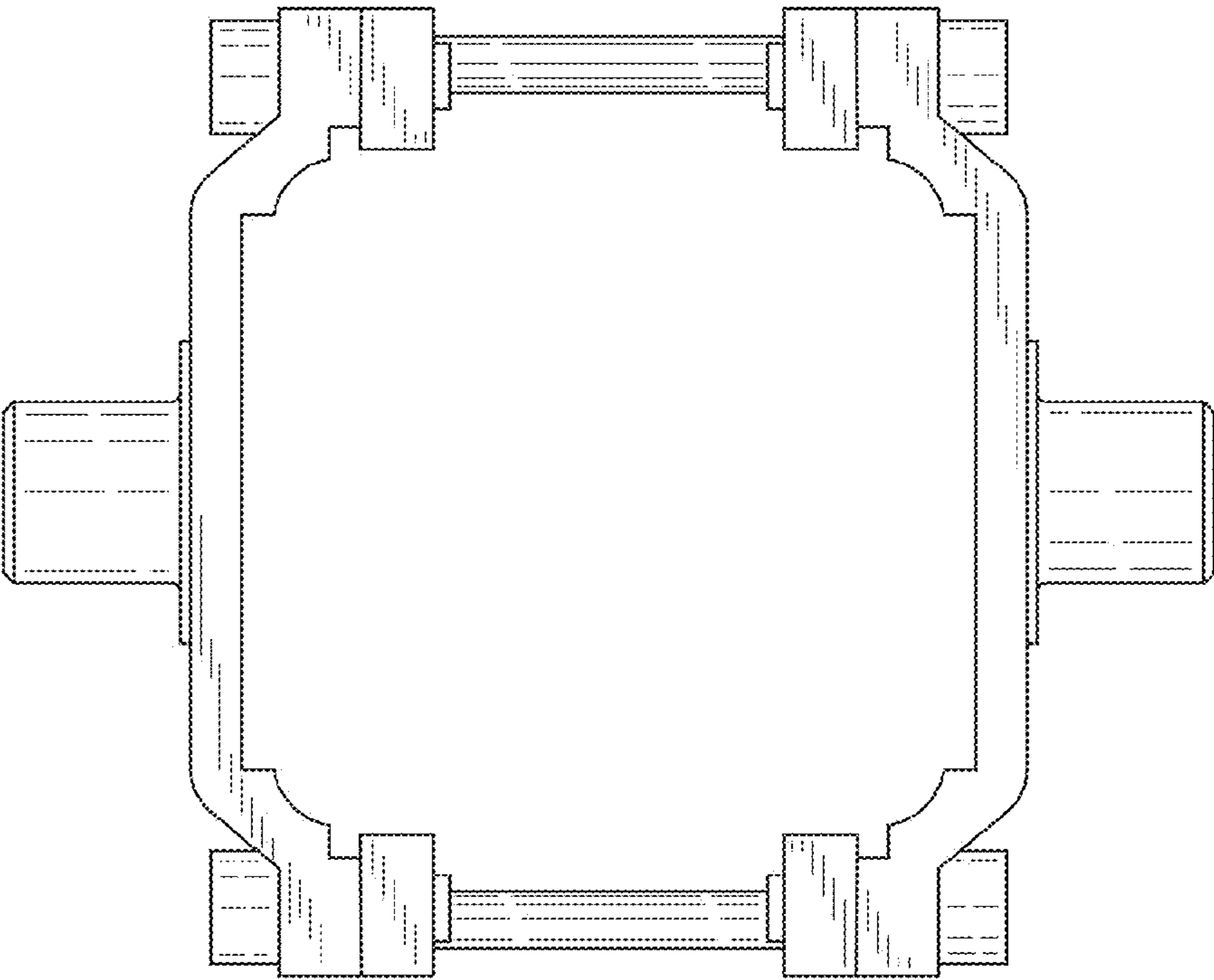


FIG. 3

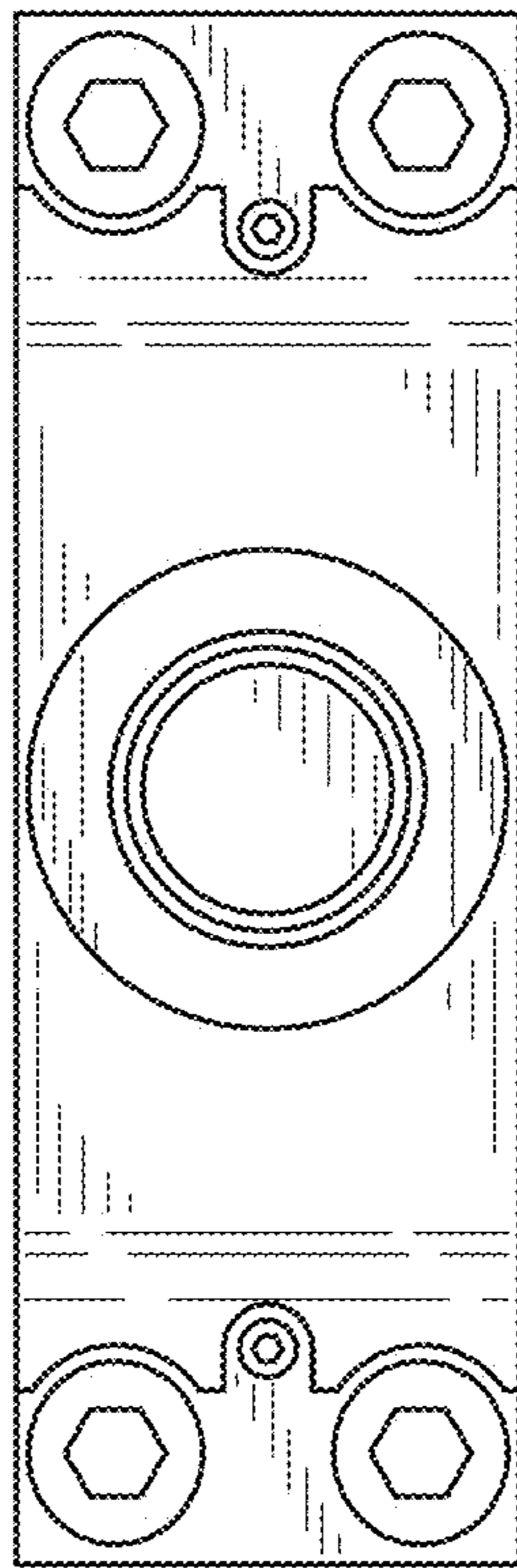


FIG. 4

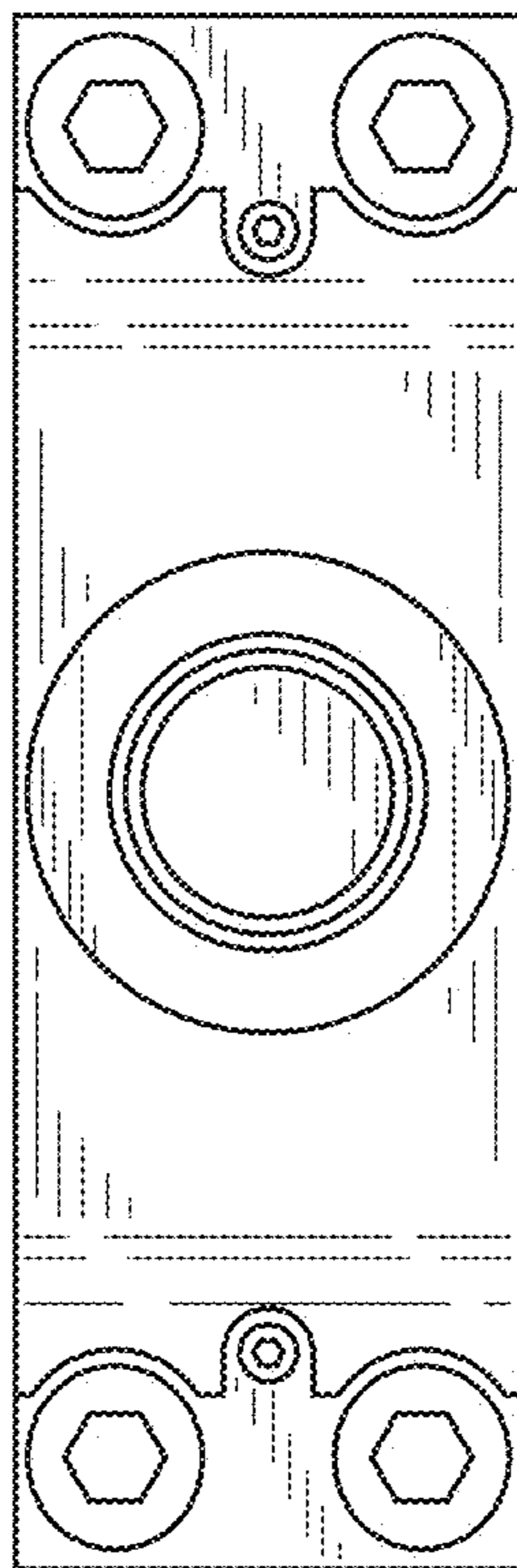


FIG. 5

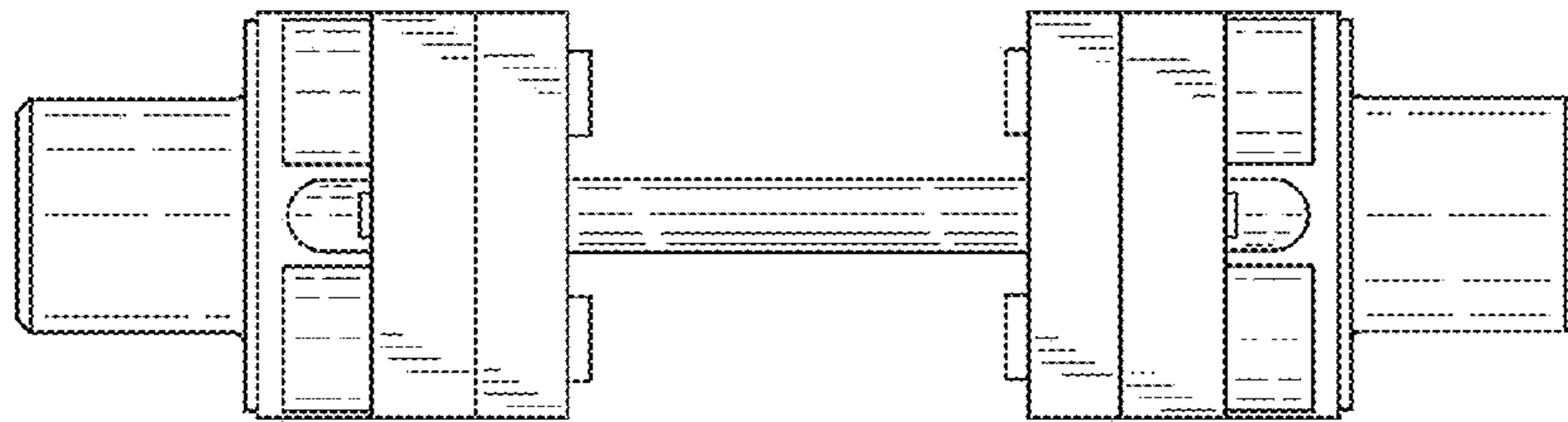


FIG. 6

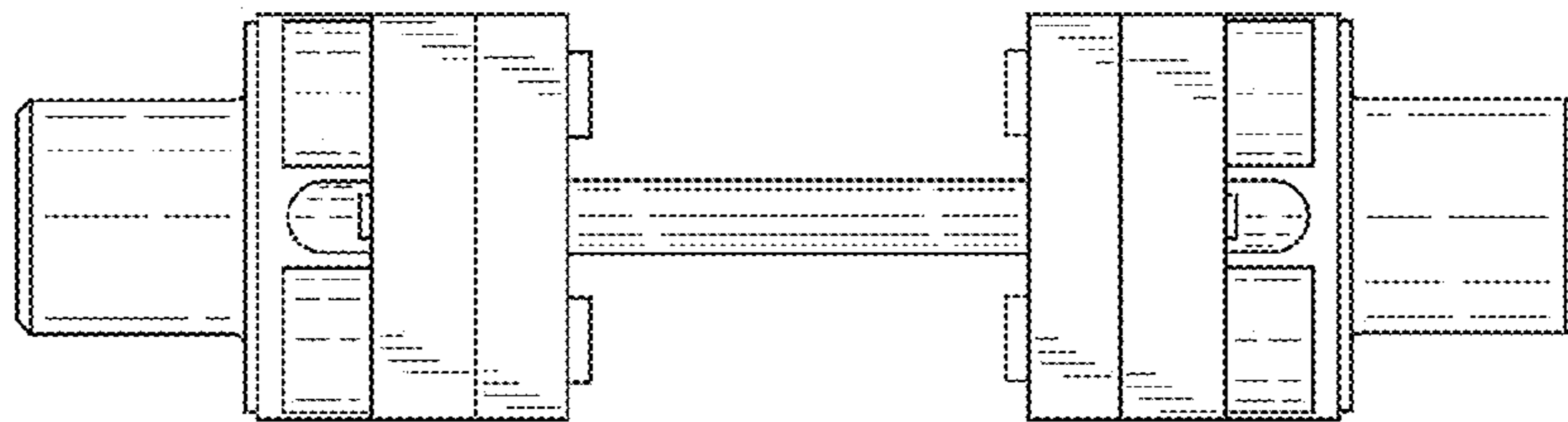


FIG. 7

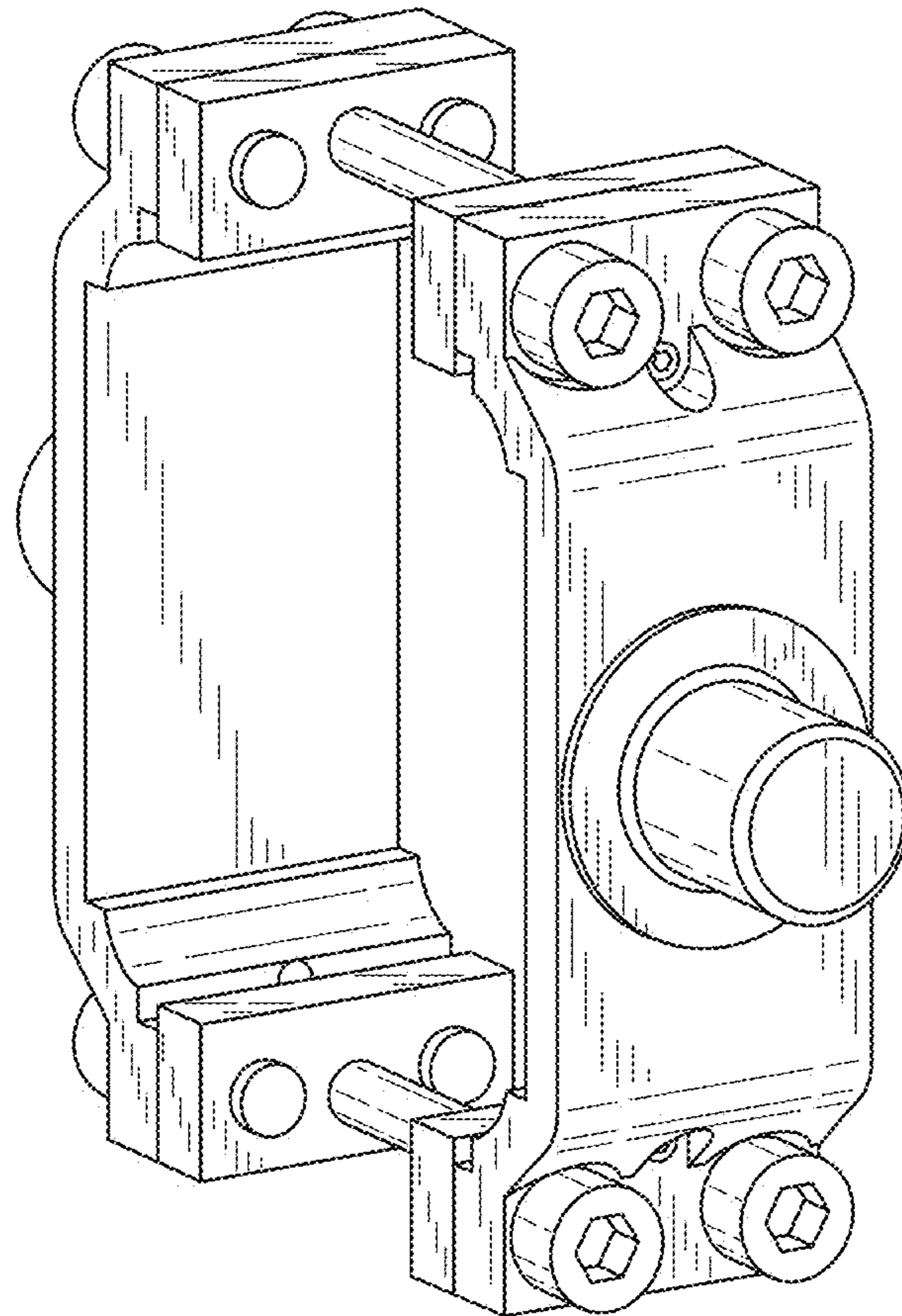


FIG. 8

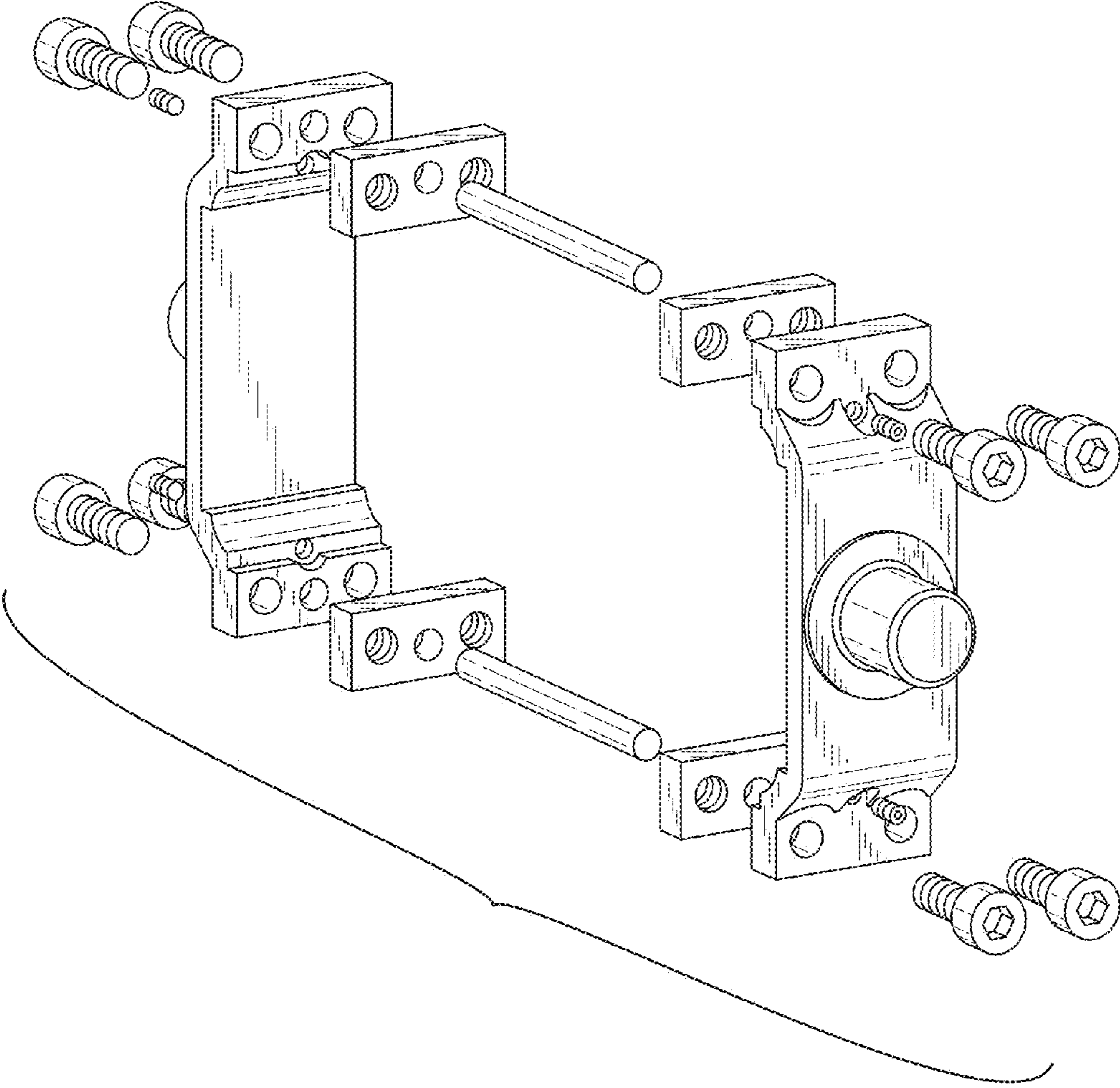


FIG. 9

