



US00D700225S

(12) **United States Design Patent**
Waggle et al.

(10) **Patent No.:** **US D700,225 S**

(45) **Date of Patent:** **** Feb. 25, 2014**

(54) **CUTTING INSERT**

(71) Applicant: **Kennametal Inc.**, Latrobe, PA (US)

(72) Inventors: **James Michael Waggle**, Derry, PA (US);
Ronald Louis Dudzinsky, Derry, PA (US)

(73) Assignee: **Kennametal Inc.**, Latrobe, PA (US)

(**) Term: **14 Years**

(21) Appl. No.: **29/456,335**

(22) Filed: **May 30, 2013**

(51) **LOC (10) Cl.** **15-09**

(52) **U.S. Cl.**
USPC **D15/139**

(58) **Field of Classification Search**
USPC D15/138, 139; 407/35, 42, 112-119
See application file for complete search history.

(56) **References Cited**

U.S. PATENT DOCUMENTS

- 7,014,395 B2 3/2006 Daiguji et al.
- 7,281,884 B2 10/2007 Maeda
- 7,396,192 B2 7/2008 Craig

- 7,402,005 B2 7/2008 Deitert
- 7,500,810 B2 3/2009 Maeta et al.
- 8,043,031 B2 10/2011 Sung et al.
- 8,277,151 B2 10/2012 Wandebäck
- 8,313,270 B2 11/2012 Hecht
- 2011/0170963 A1 7/2011 Smilovici et al.

Primary Examiner — Patricia Palasik

(74) *Attorney, Agent, or Firm* — Larry R. Meenan, Esq.

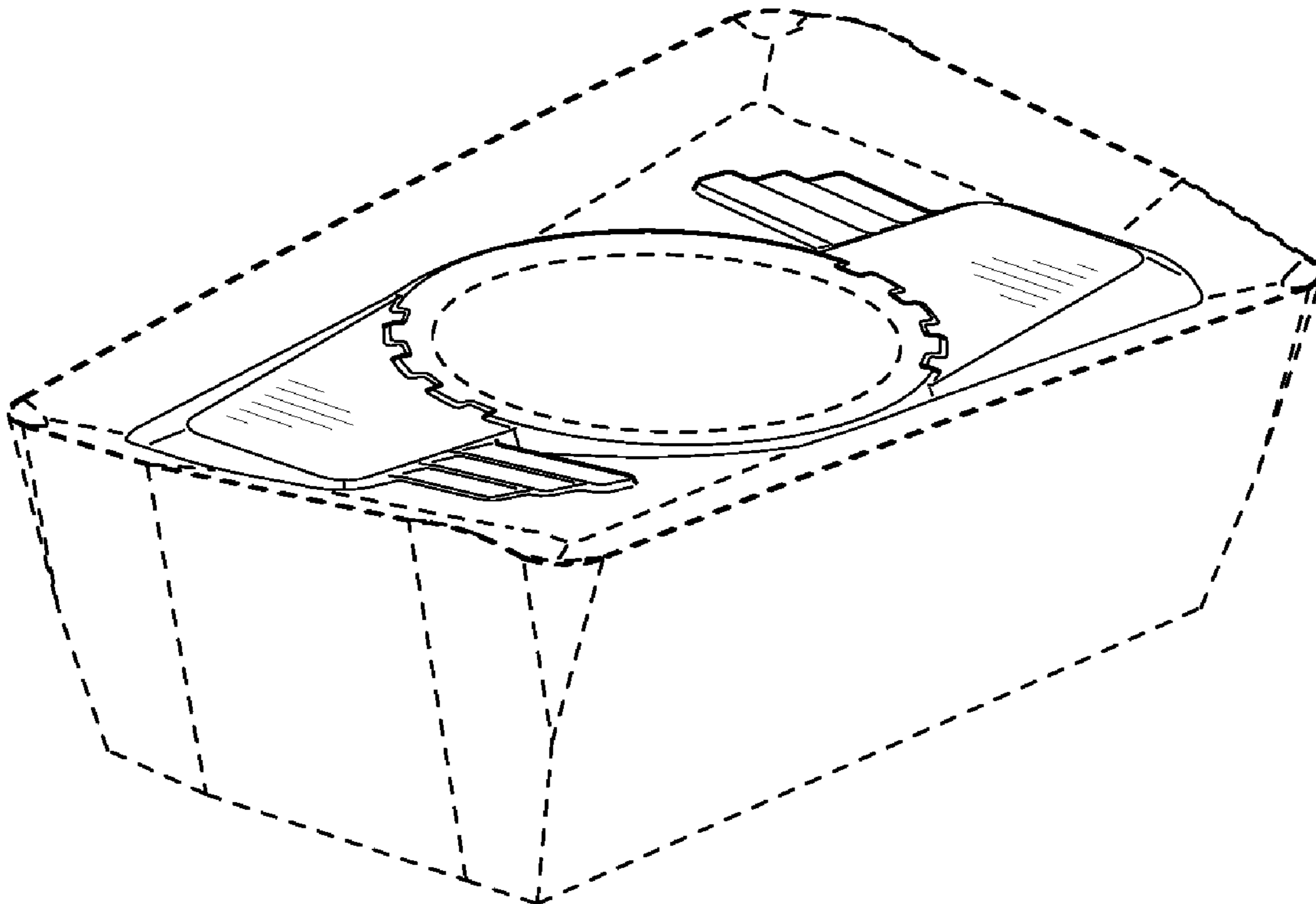
(57) **CLAIM**

We claim the ornamental design for a cutting insert, as shown and described.

DESCRIPTION

FIG. 1 is an isometric view from above of a cutting insert showing our new design;
 FIG. 2 is a top view of the cutting insert of FIG. 1;
 FIG. 3 is a bottom view of the cutting insert of FIG. 1;
 FIG. 4 is an end elevational view of the cutting insert of FIG. 1, the opposite end elevational view being identical; and,
 FIG. 5 is a side elevational view of the cutting insert of FIG. 1, the opposite side elevational view being identical.
 The broken line showings of FIGS. 1-5 are included for the purposes of illustrating portions of the cutting insert and form no part of the claimed design.

1 Claim, 3 Drawing Sheets



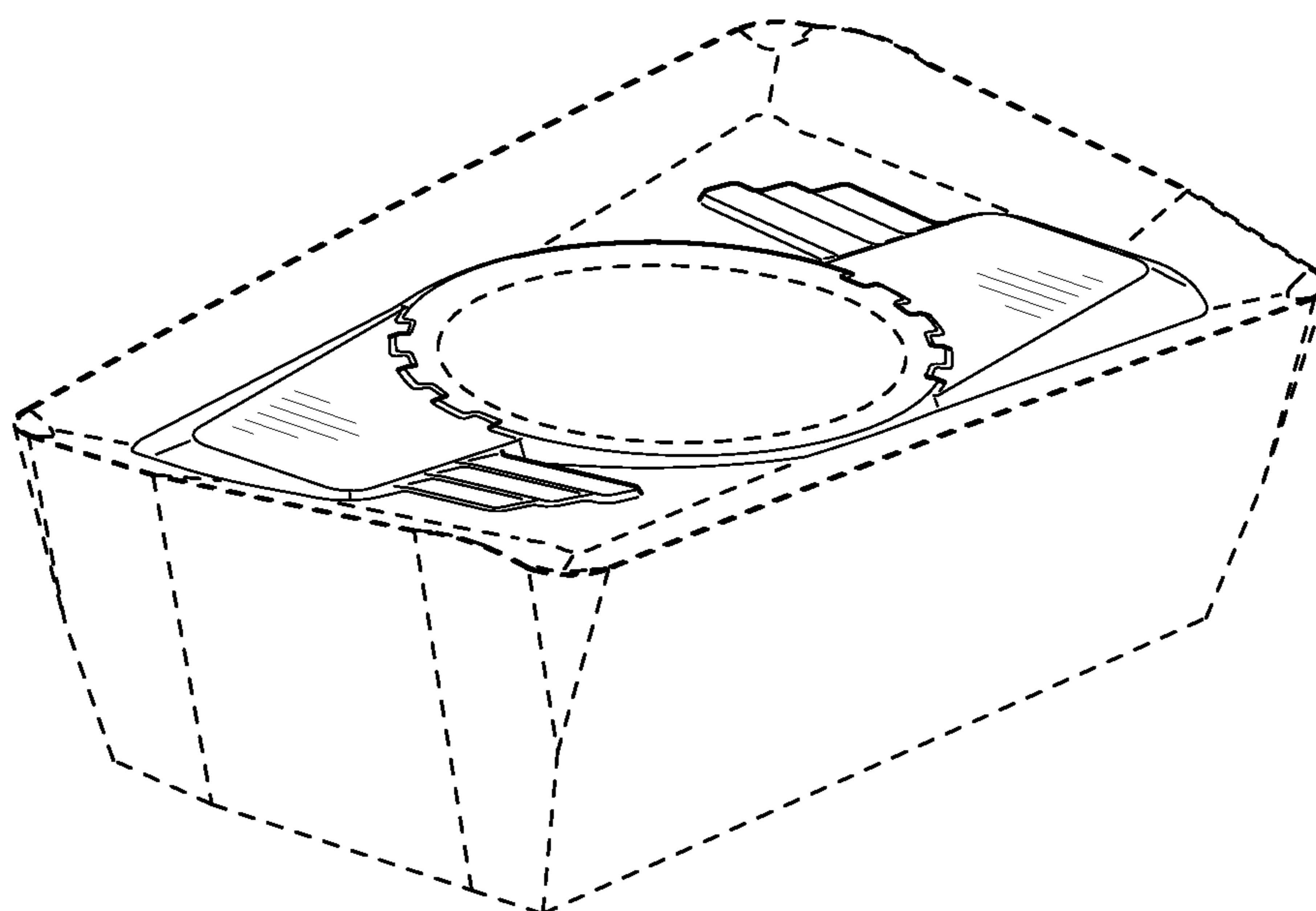


FIG. 1

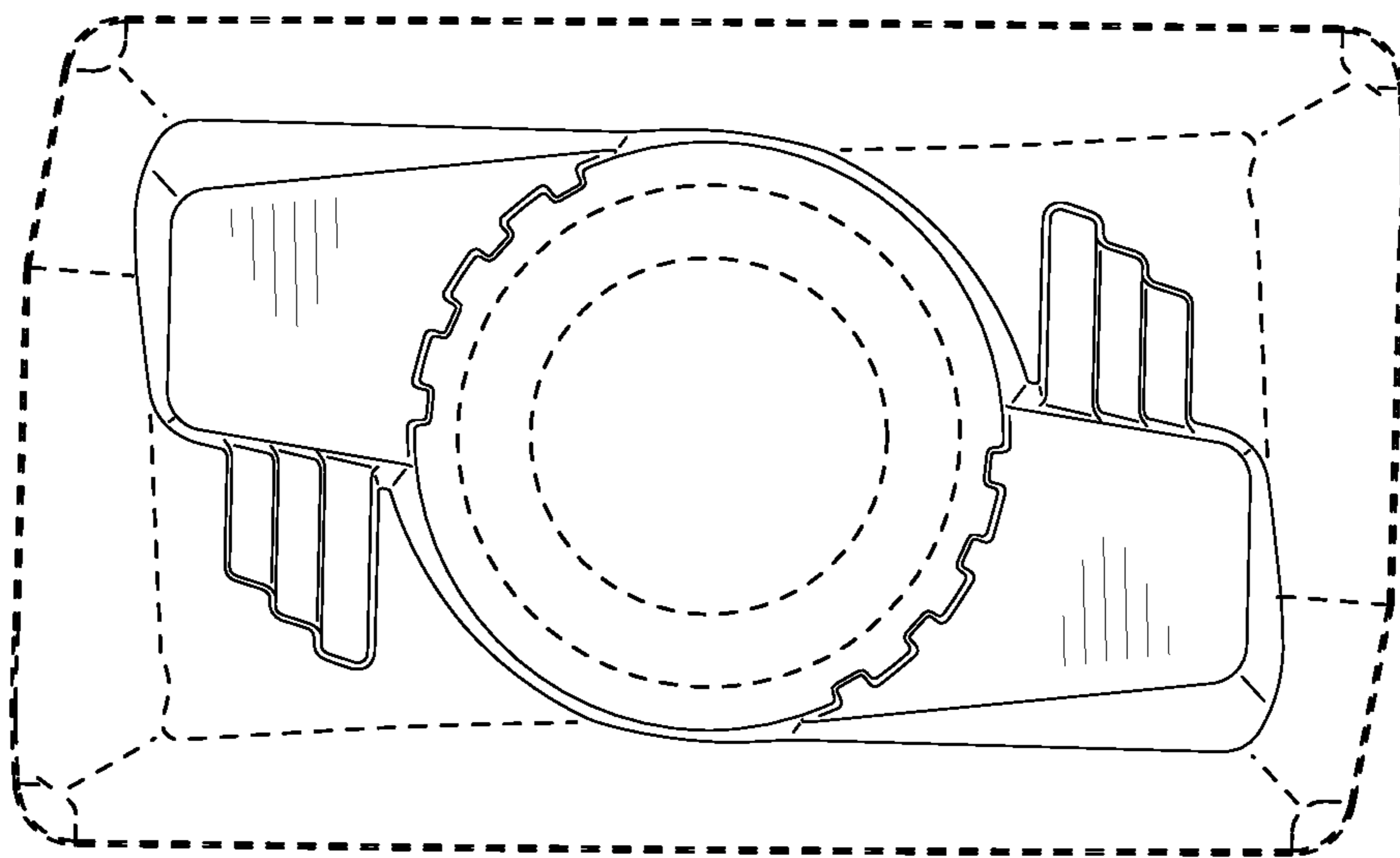


FIG. 2

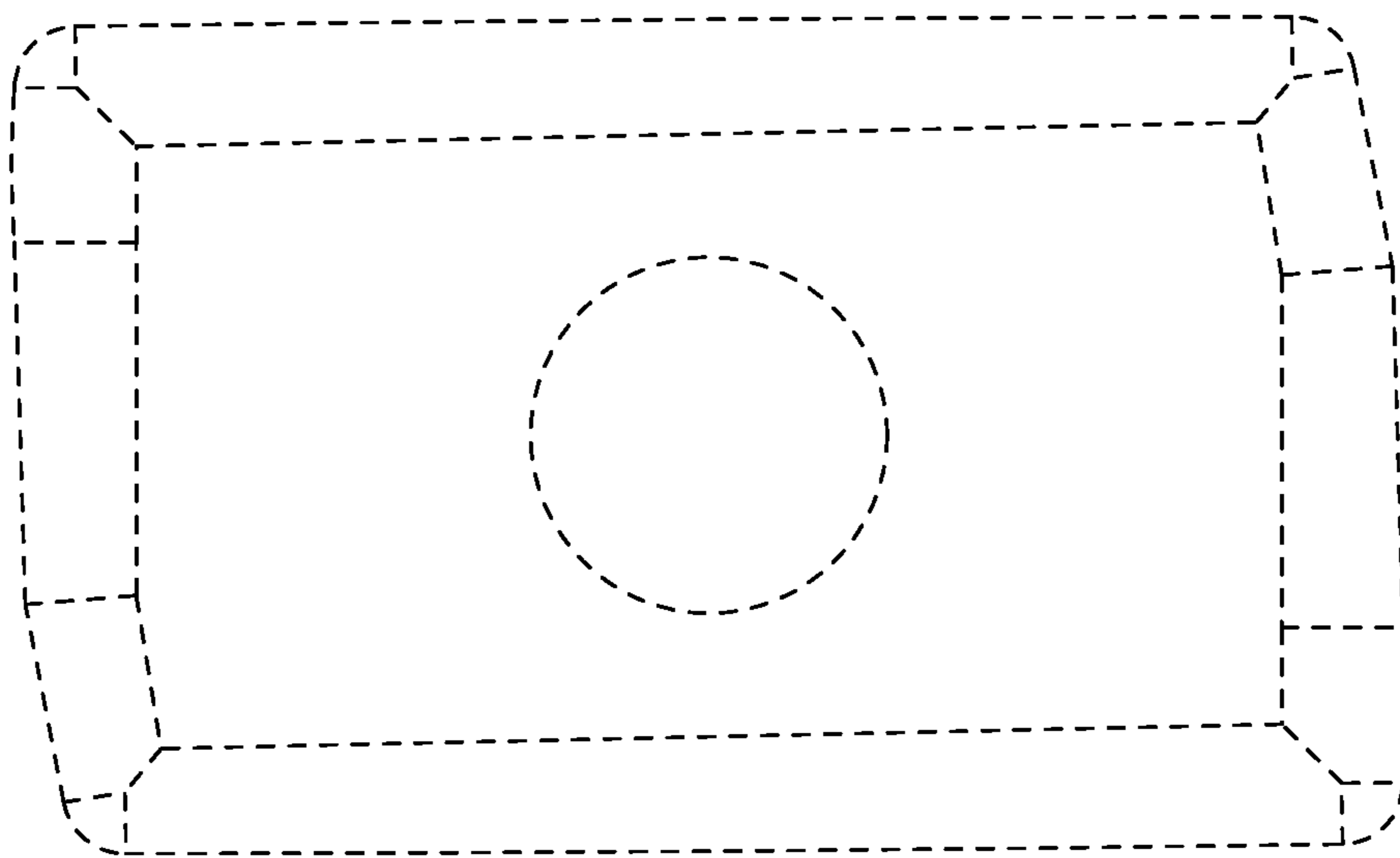


FIG. 3

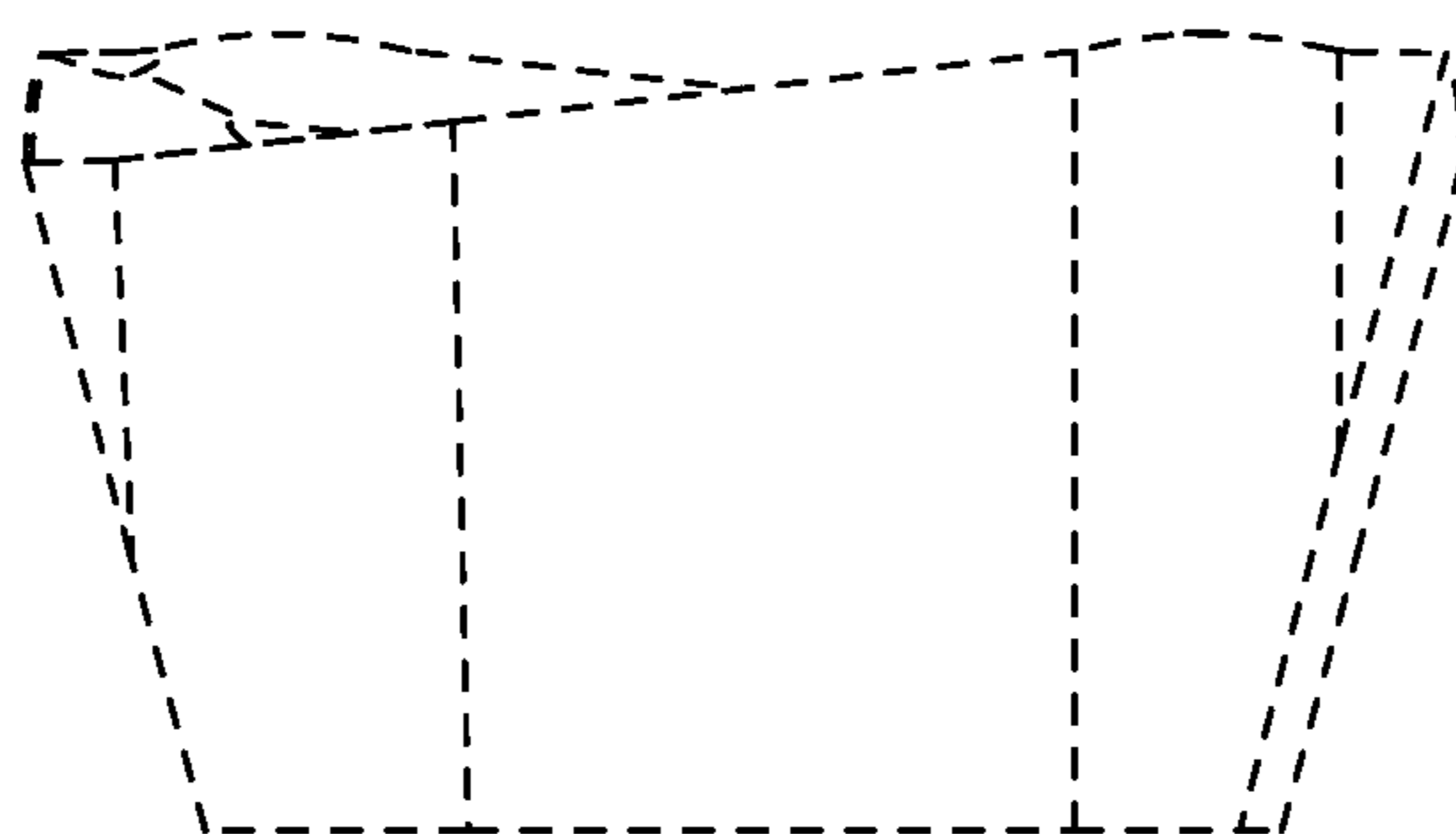


FIG. 4

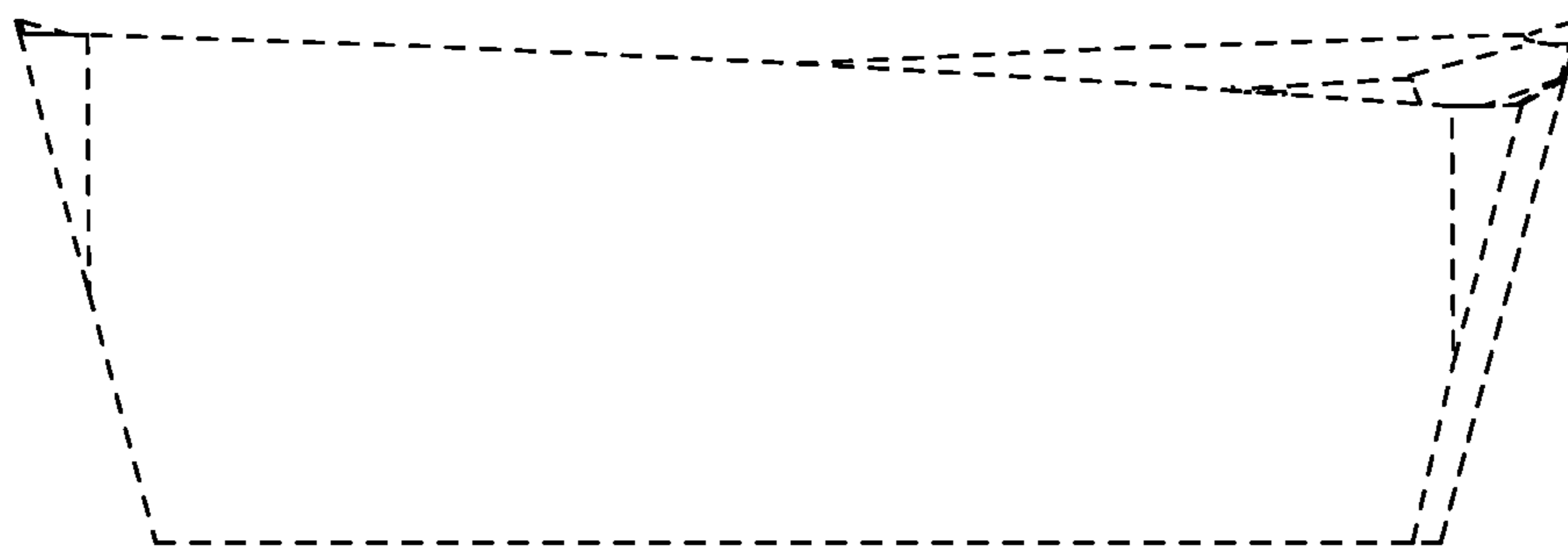


FIG. 5