

US00D700224S

(12) **United States Design Patent**
Kmoch et al.

(10) **Patent No.:** **US D700,224 S**

(45) **Date of Patent:** **** Feb. 25, 2014**

(54) **MOLD**
(71) Applicant: **Husky Injection Molding Systems Ltd.**, Bolton (CA)
(72) Inventors: **Sven Kmoch**, Platten (DE); **Ralf Walter Fisch**, Sarrebourg (DE)

D574,228 S * 8/2008 Johansson et al. D8/396
7,713,054 B2 5/2010 Mai
7,798,804 B2 9/2010 Kmoch et al.
8,376,732 B2 2/2013 McCready
8,398,392 B2 3/2013 Yankov et al.
2008/0265463 A1 10/2008 Finkelstein
2009/0214694 A1* 8/2009 Mai 425/577

(73) Assignee: **Husky Injection Molding Systems, Ltd.**, Bolton, Ontario (CA)

FOREIGN PATENT DOCUMENTS

WO 2013016816 A1 2/2013

(**) Term: **14 Years**

* cited by examiner

(21) Appl. No.: **29/458,122**

Primary Examiner — Patricia Palasik

(22) Filed: **Jun. 17, 2013**

(74) *Attorney, Agent, or Firm* — Husky Intellectual Property Services

(51) **LOC (10) Cl.** **15-09**

(52) **U.S. Cl.**
USPC **D15/136**

(57) **CLAIM**

The ornamental design for a mold, as shown and described.

(58) **Field of Classification Search**
USPC D15/135, 136, 137, 138, 139; 65/260, 65/356, 357; 83/845; 205/70, 164, 165, 205/167, 169; 249/78, 79; 264/51, 220, 264/221; 407/42, 110, 115, 116, 117; 425/135, 146, 171, 181, 218, 253–261, 425/363, 451.9, 471, 542, 543, 547, 548, 425/552, 556, 577, 589–595; 428/71

DESCRIPTION

FIG. 1 is a top, front, left, isometric view of a mold showing our new design;
FIG. 2 is a front view thereof;
FIG. 3 is a rear view thereof;
FIG. 4 is a right side view thereof;
FIG. 5 is a left side view thereof;
FIG. 6 is a top view thereof;
FIG. 7 is a bottom view thereof; and,
FIG. 8 is an exploded isometric view thereof.

See application file for complete search history.

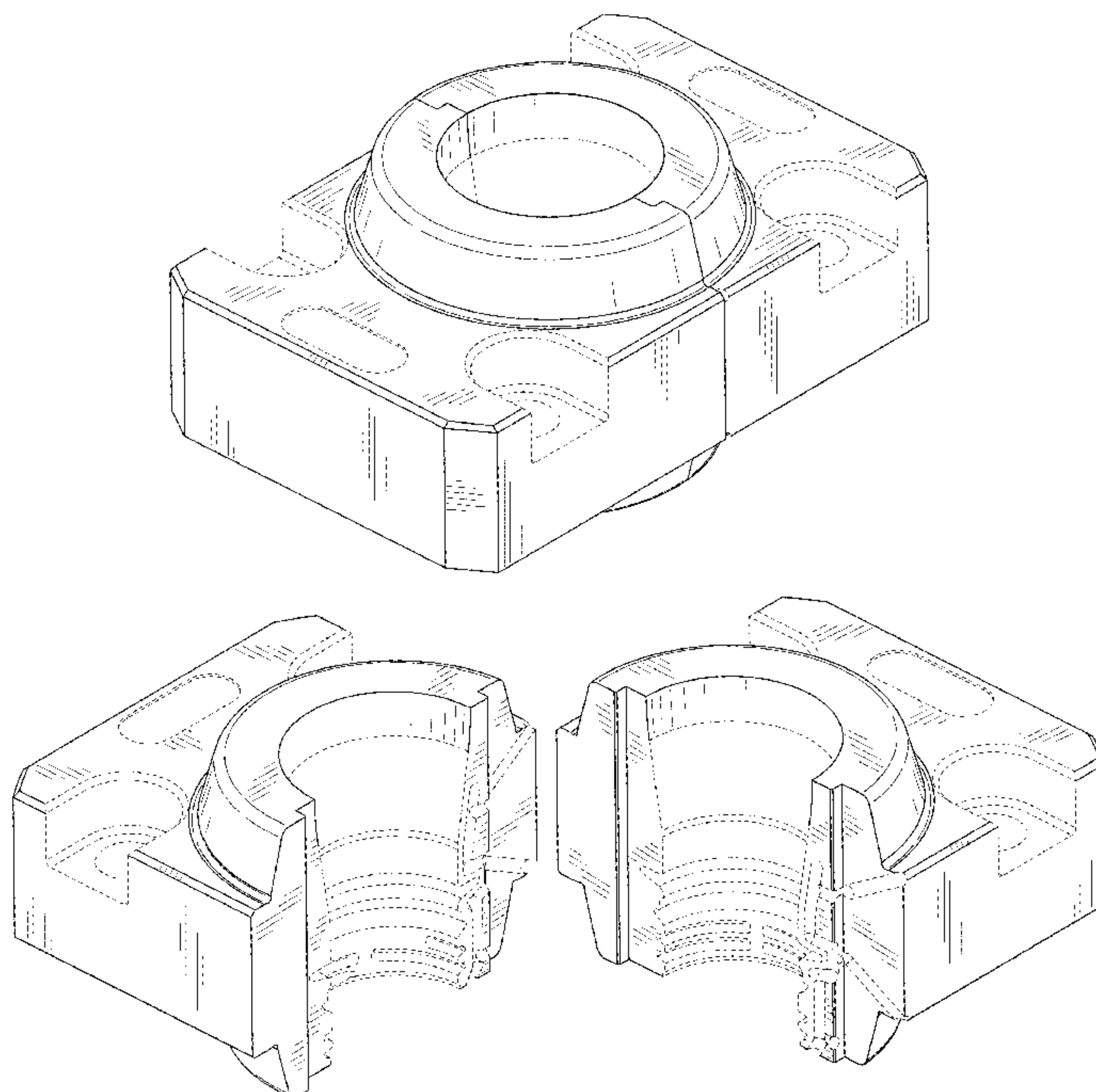
The broken lines immediately adjacent to the shaded area represent unclaimed boundaries of the design. The broken lines showing the remainder of the mold are for environmental purposes only and form no part of the claimed design.

(56) **References Cited**

U.S. PATENT DOCUMENTS

D324,392 S * 3/1992 Wilhelm D15/136
RE38,396 E * 1/2004 Gellert 29/411
7,234,930 B2 6/2007 Niewels et al.
D546,847 S * 7/2007 Teng et al. D15/135
7,377,767 B2 5/2008 Dubuis et al.

1 Claim, 5 Drawing Sheets



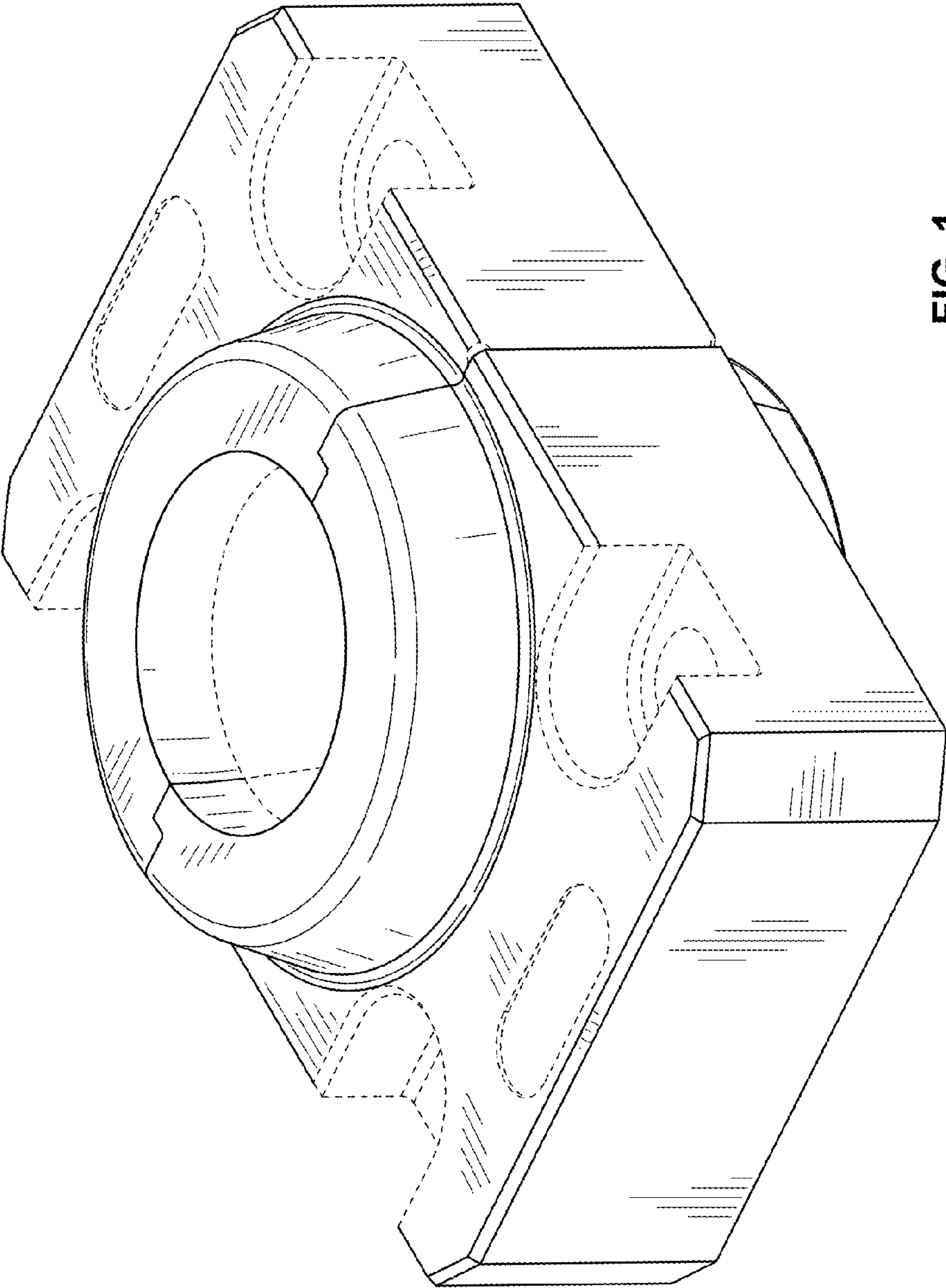


FIG. 1

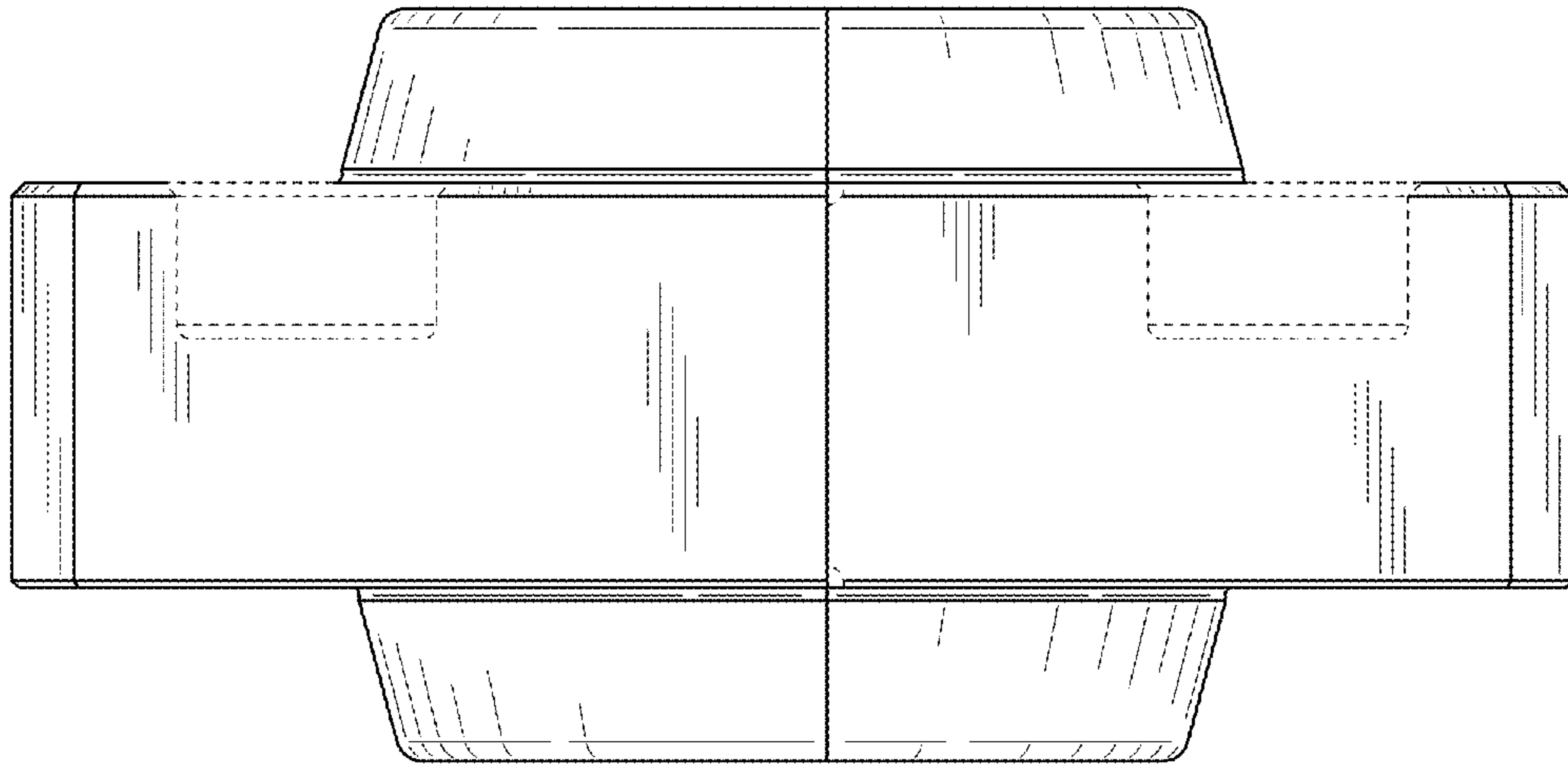


FIG. 2

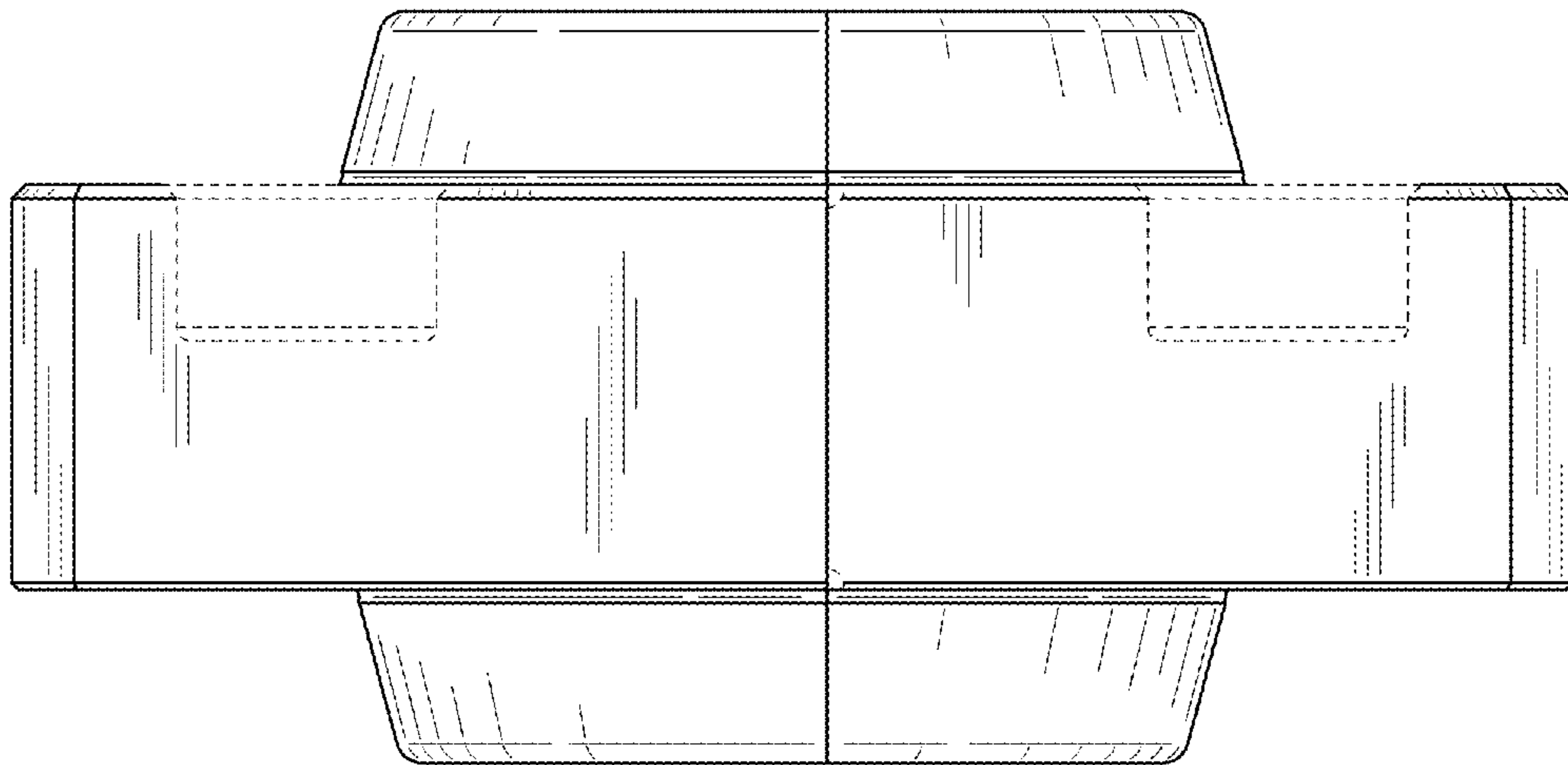


FIG. 3

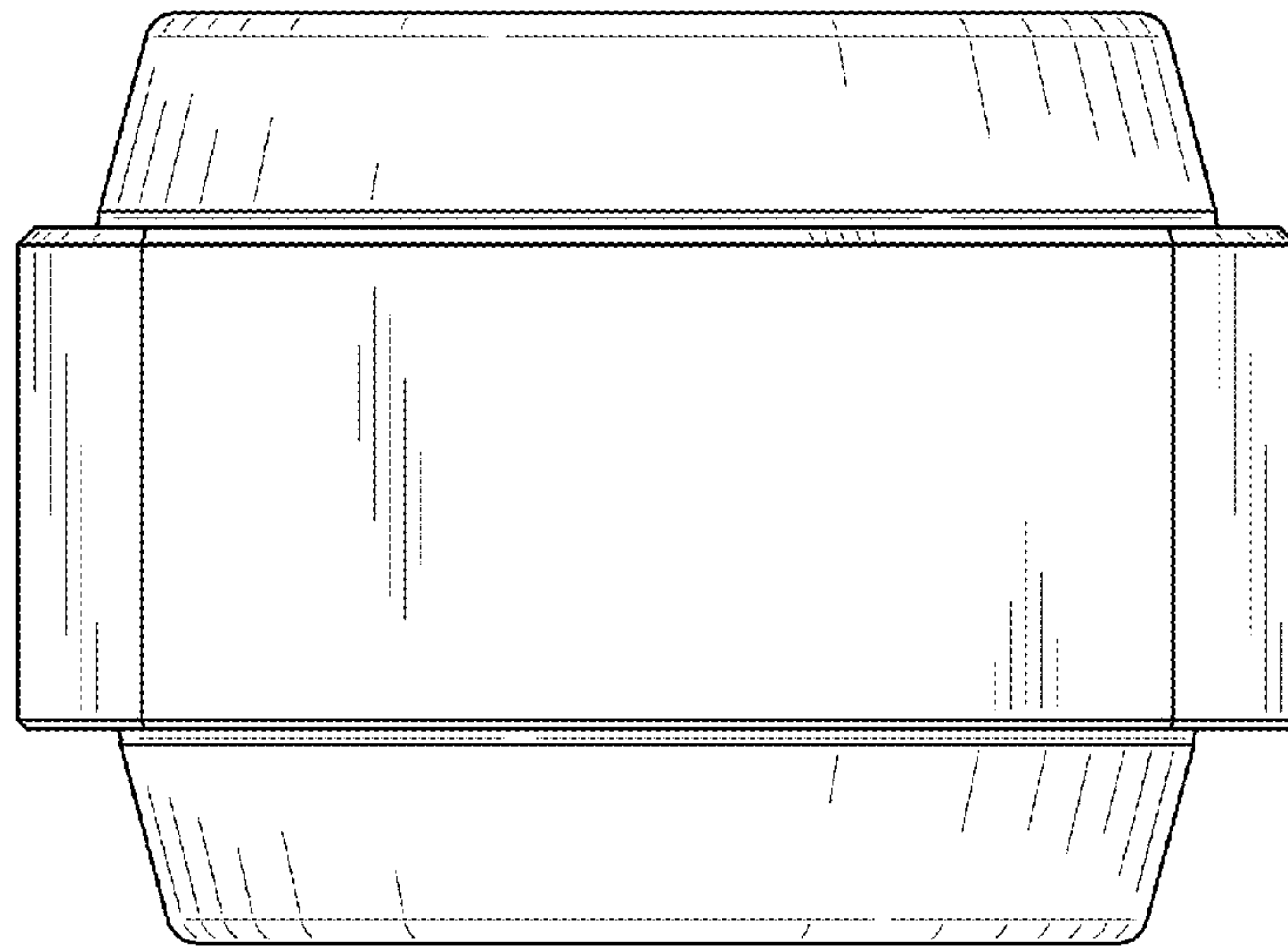


FIG. 4

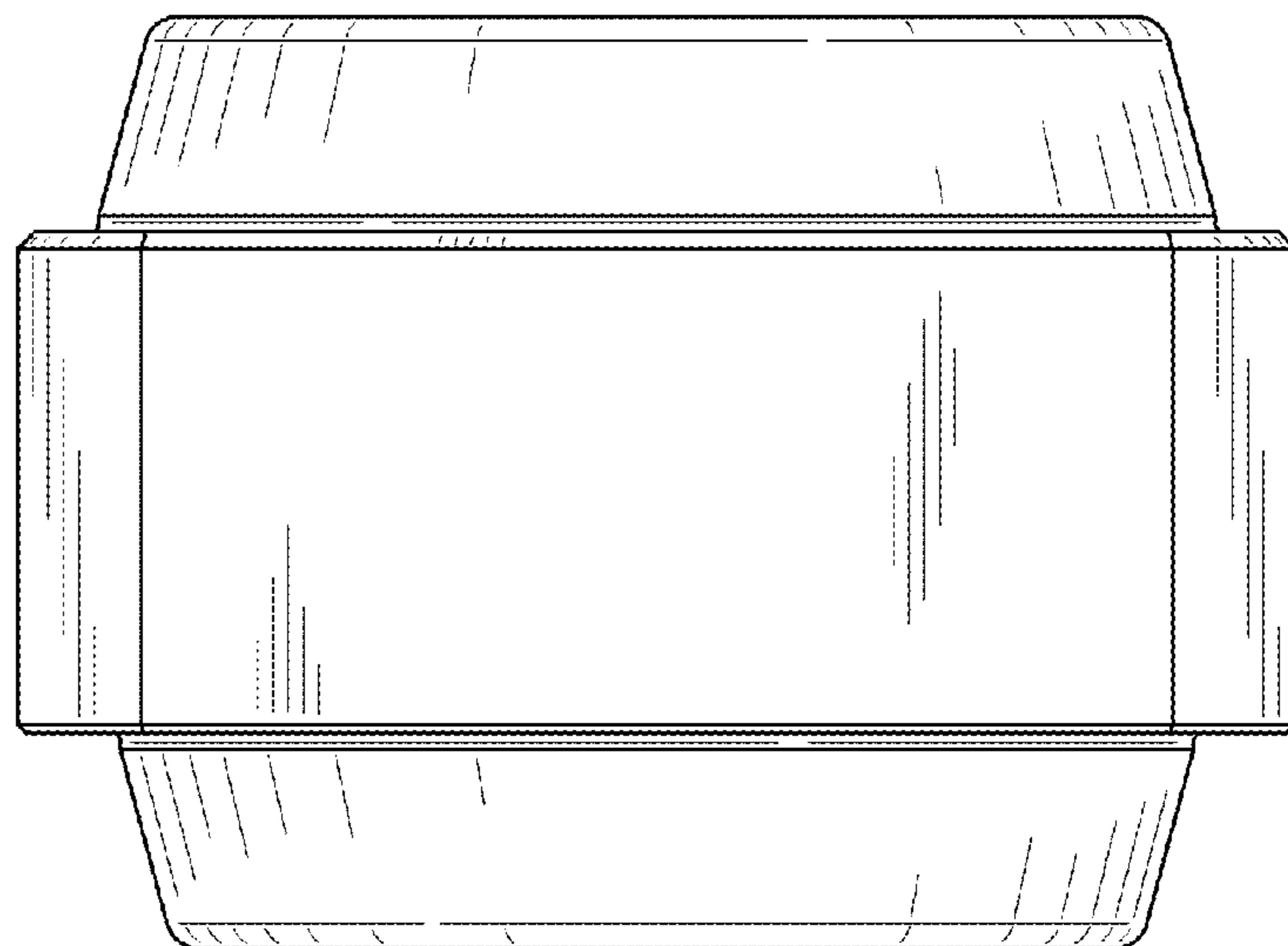


FIG. 5

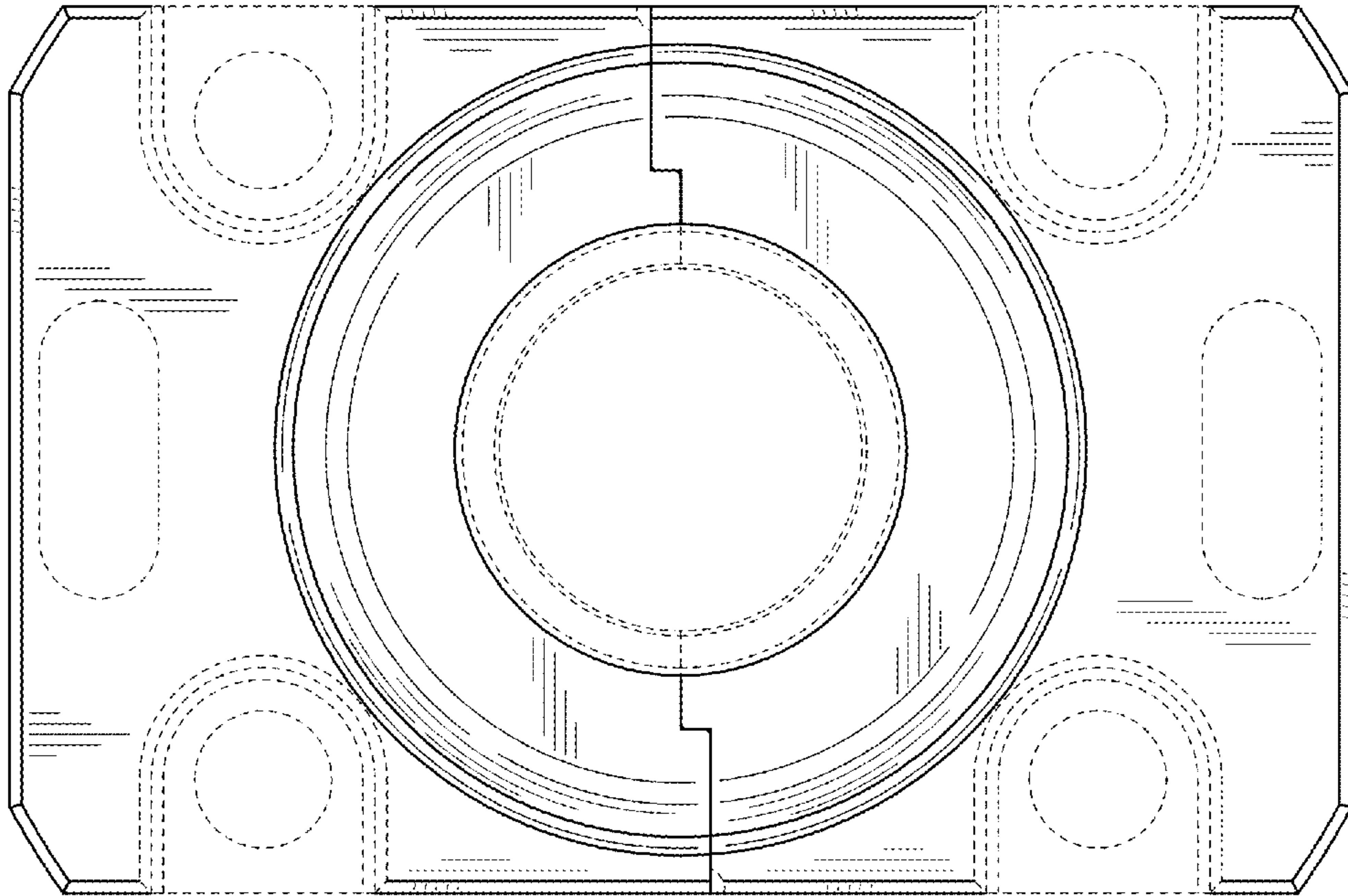


FIG. 6

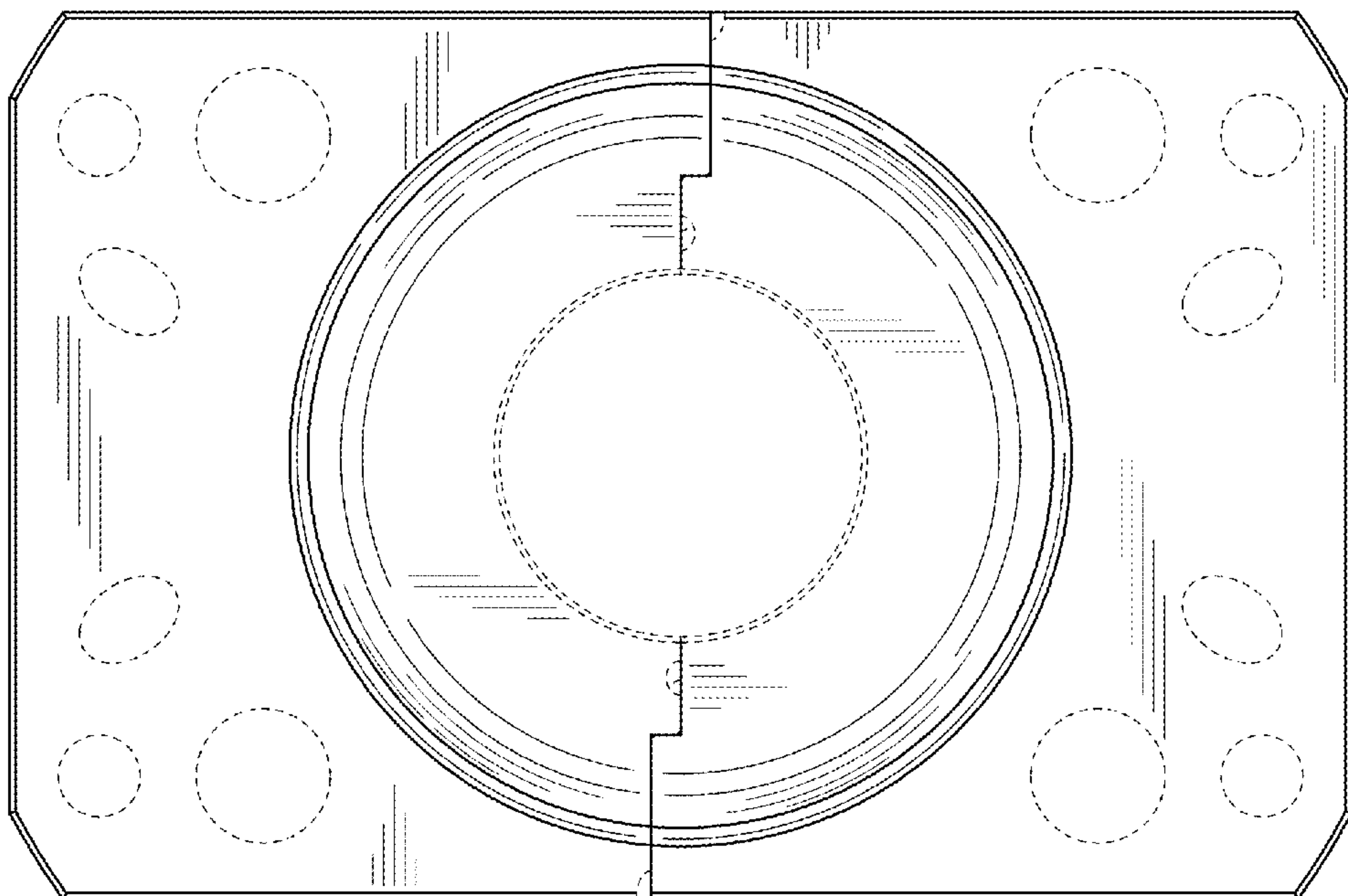


FIG. 7

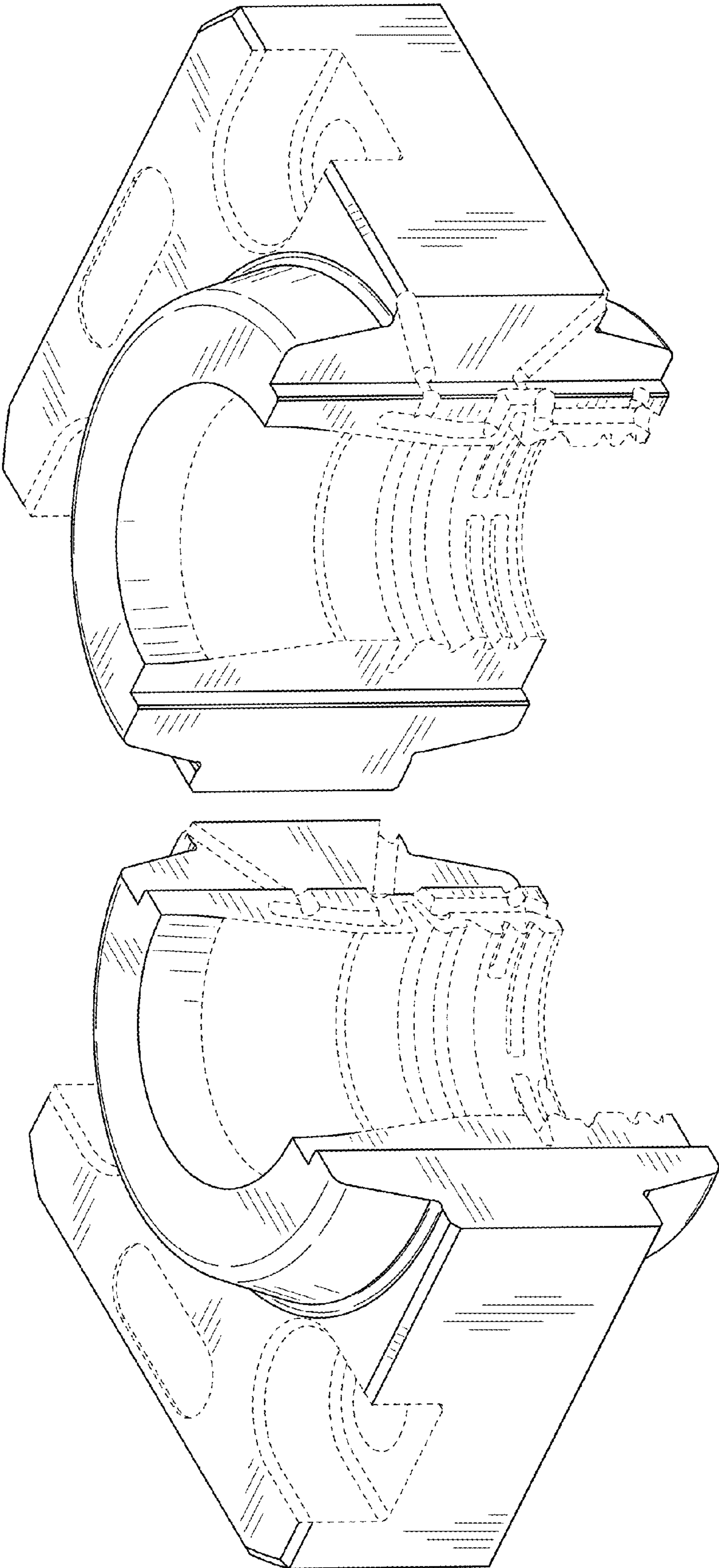


FIG. 8