



US00D700223S

(12) **United States Design Patent**  
**Shearer**

(10) **Patent No.:** **US D700,223 S**  
(45) **Date of Patent:** **\*\* Feb. 25, 2014**

- (54) **FOUR CORNER ROUNDING SHEAR**
- (71) Applicant: **Joshua D Shearer**, Hemet, CA (US)
- (72) Inventor: **Joshua D Shearer**, Hemet, CA (US)
- (\*\*) Term: **14 Years**
- (21) Appl. No.: **29/465,000**
- (22) Filed: **Aug. 22, 2013**
- (51) **LOC (10) Cl.** ..... **15-09**
- (52) **U.S. Cl.**  
USPC ..... **D15/129**
- (58) **Field of Classification Search**  
USPC ..... D8/98; D15/128; D19/65, 72; 29/240,  
29/256, 264; 30/366, 367; 83/468, 522,  
83/683, 692, 693, 694, 917; 279/96, 100,  
279/101, 102; 403/16  
See application file for complete search history.

D244,758 S	6/1977	Slattery	
4,433,600 A	2/1984	Ikeda	
4,481,848 A	11/1984	Ikeda	
4,527,454 A *	7/1985	Walter	83/499
4,674,378 A *	6/1987	Kawano et al.	83/368
D303,673 S *	9/1989	Ai	D15/129
D350,142 S	8/1994	Imanisji et al.	
6,125,546 A	10/2000	Laws	
D636,413 S	4/2011	Gustavsson et al.	

\* cited by examiner

*Primary Examiner* — Patricia Palasik  
(74) *Attorney, Agent, or Firm* — Kirk A. Buhler, Buhler & Associates

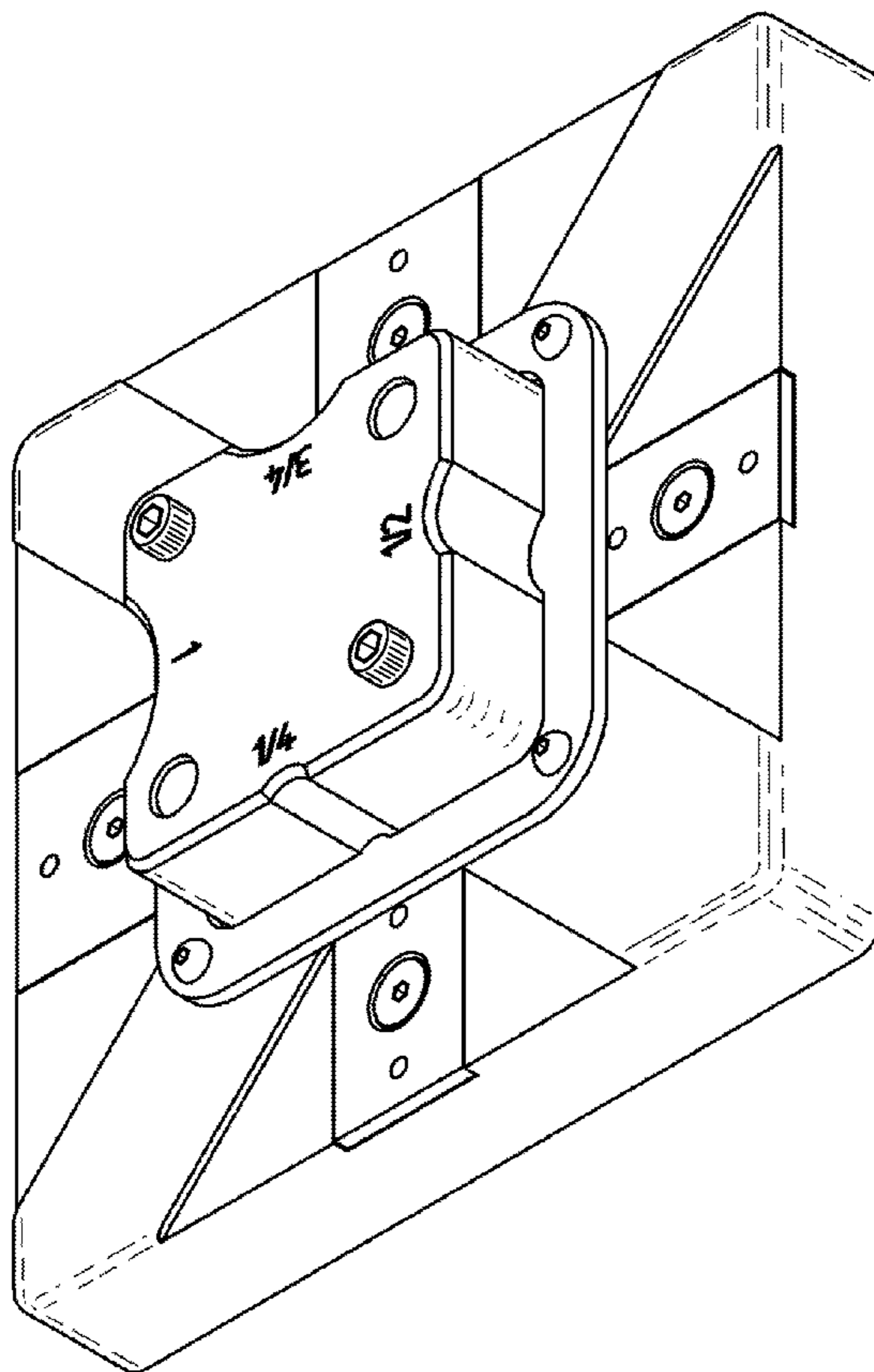
(57) **CLAIM**  
The ornamental design for a four corner rounding shear, as shown and described.

**DESCRIPTION**

FIG. 1 is a top perspective view for a four corner rounding shear showing my new design; FIG. 2 is a top side view thereof; FIG. 3 is a front side view thereof; FIG. 4 is a bottom side view thereof; FIG. 5 is a back side view thereof; FIG. 6 is a left side view thereof; and, FIG. 7 is a right side view thereof. The broken lines in the drawings depict unclaimed environmental subject matter.

- (56) **References Cited**  
U.S. PATENT DOCUMENTS  
3,205,748 A 9/1965 Smetts  
3,405,583 A 10/1968 Herzog  
3,616,719 A 11/1971 Tassie  
3,820,426 A \* 6/1974 Thompson ..... 83/13  
D233,065 S \* 10/1974 Roch ..... D15/129  
3,942,400 A 3/1976 Roch

**1 Claim, 4 Drawing Sheets**



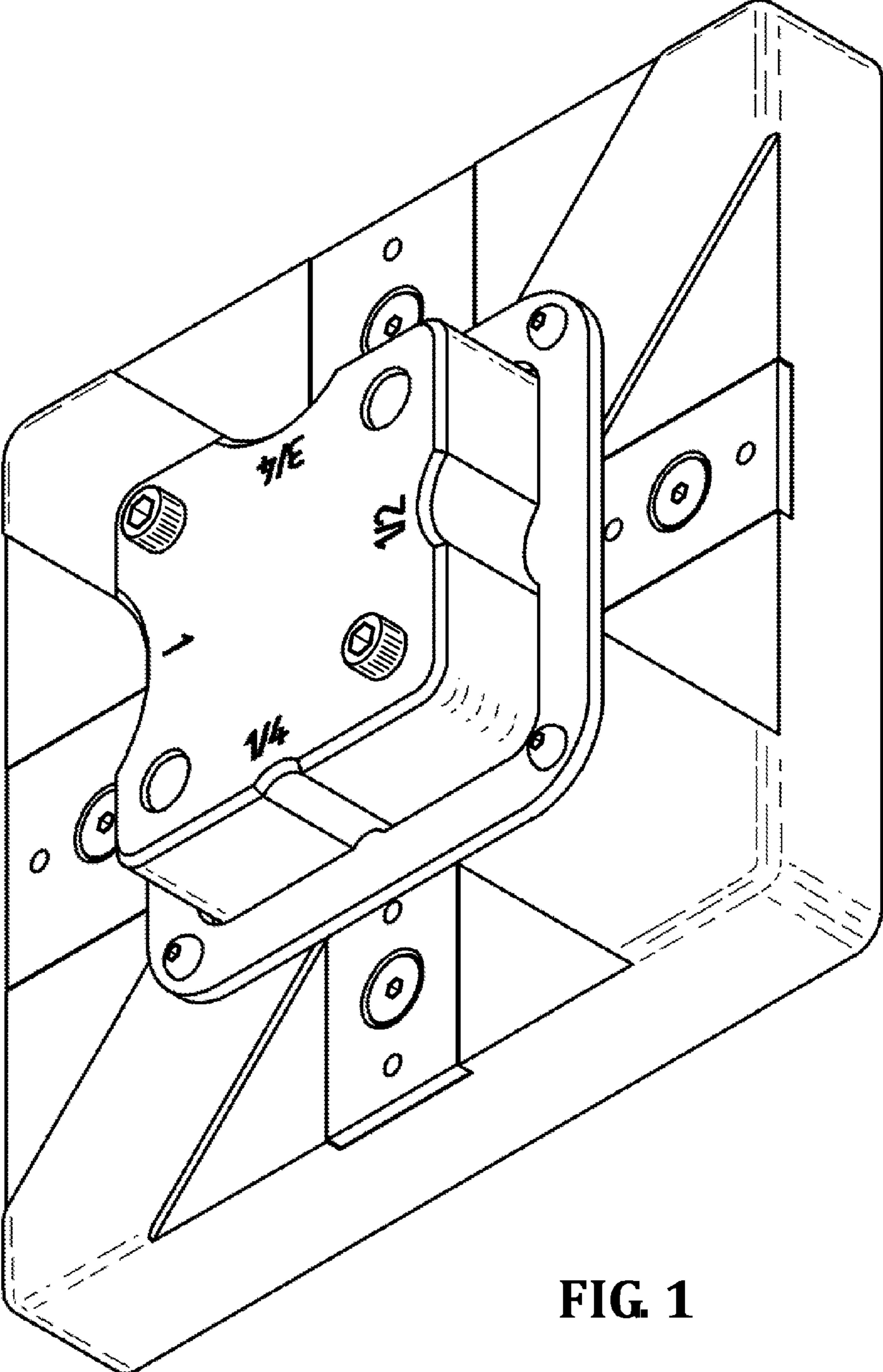


FIG. 1

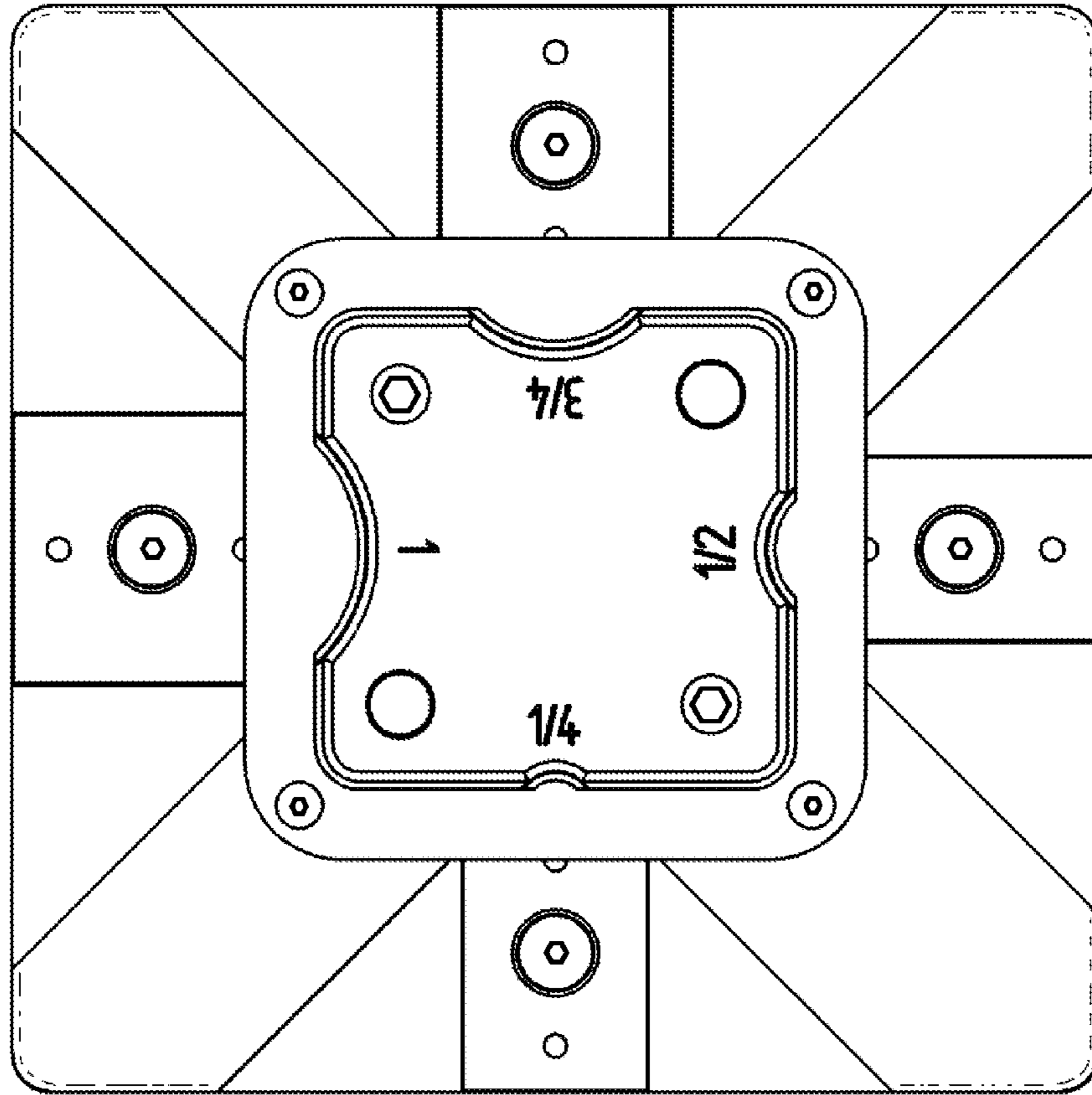


FIG. 2

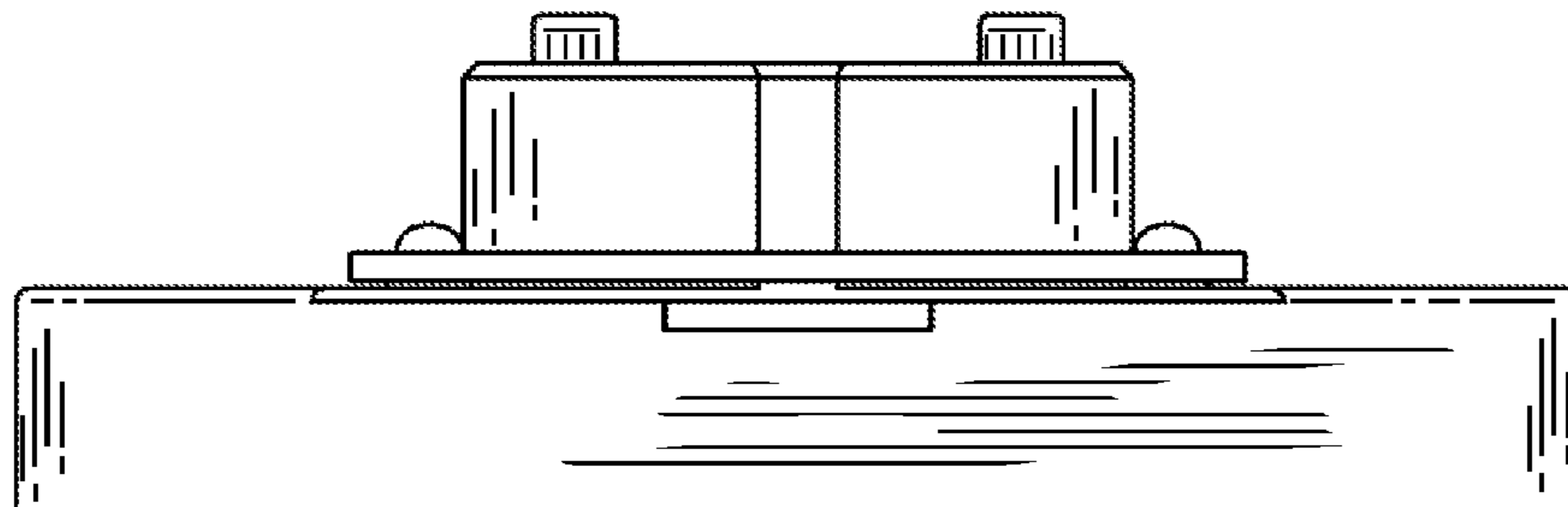


FIG. 3

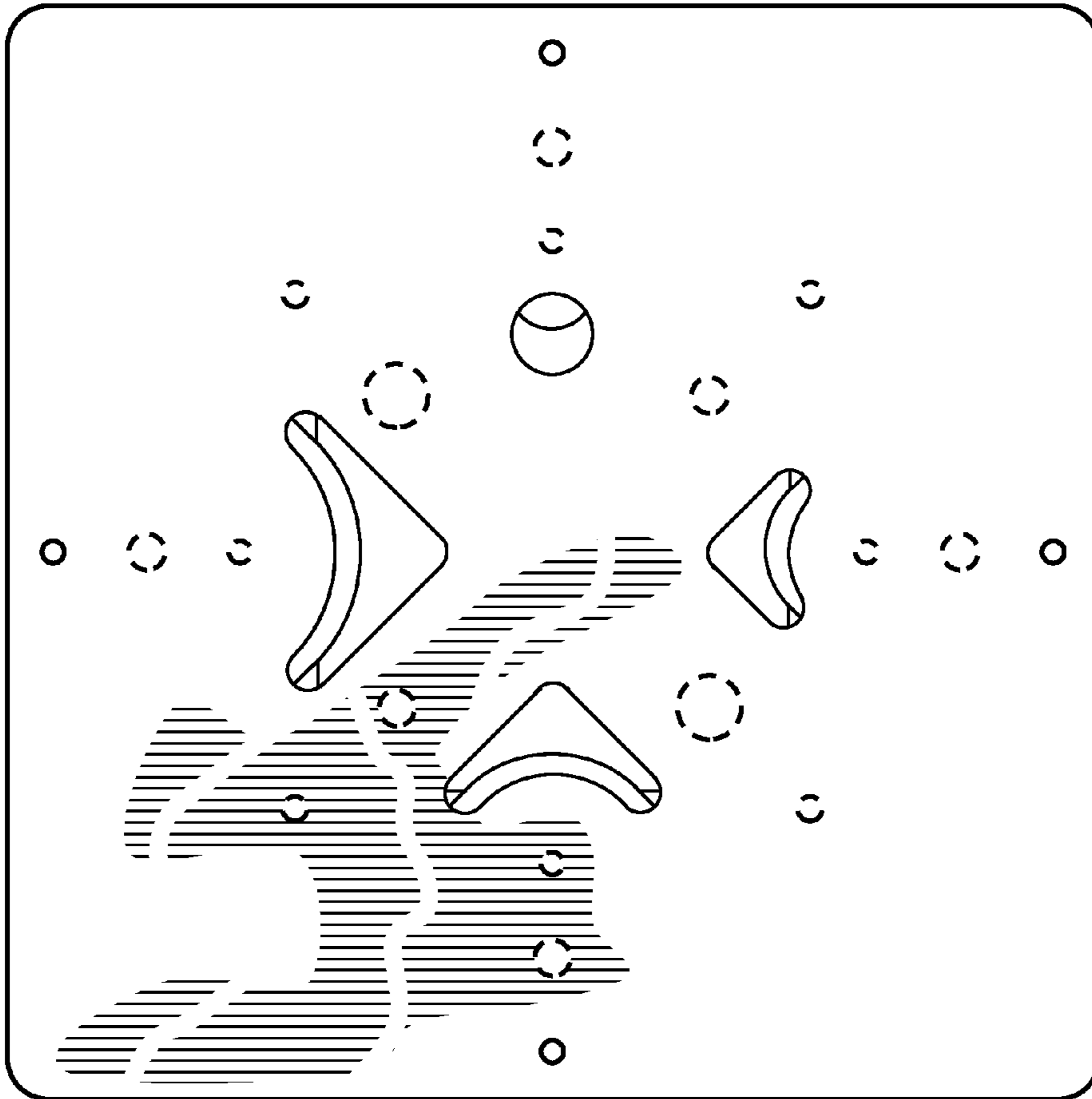


FIG 4

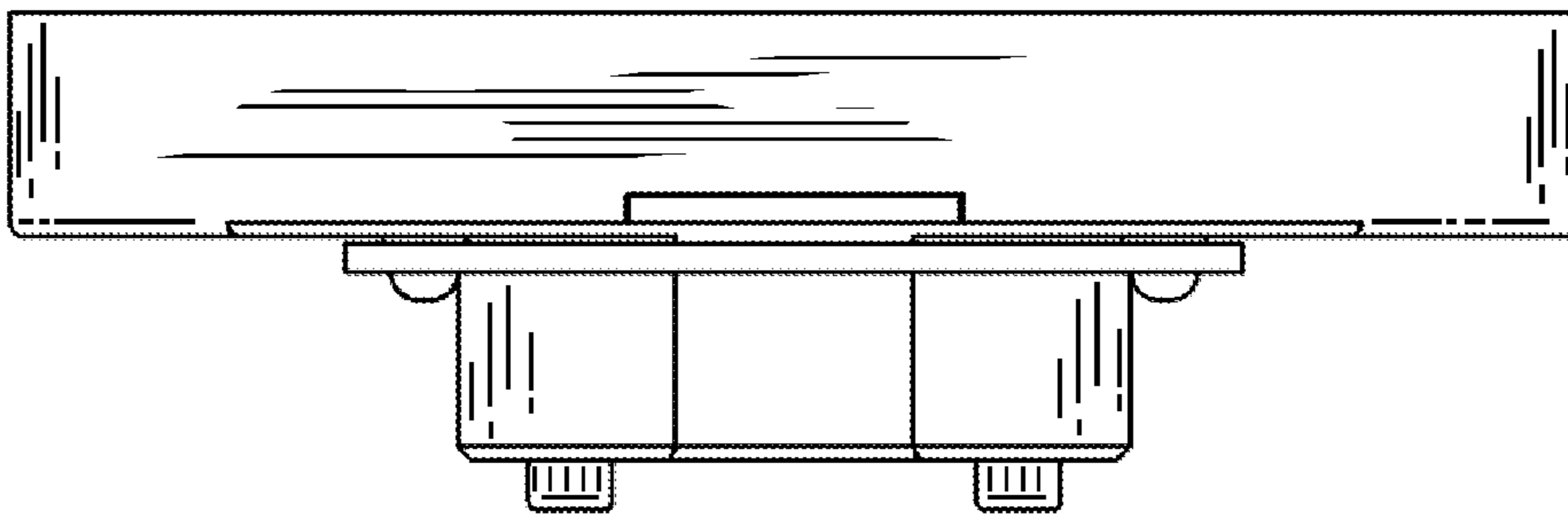


FIG 5

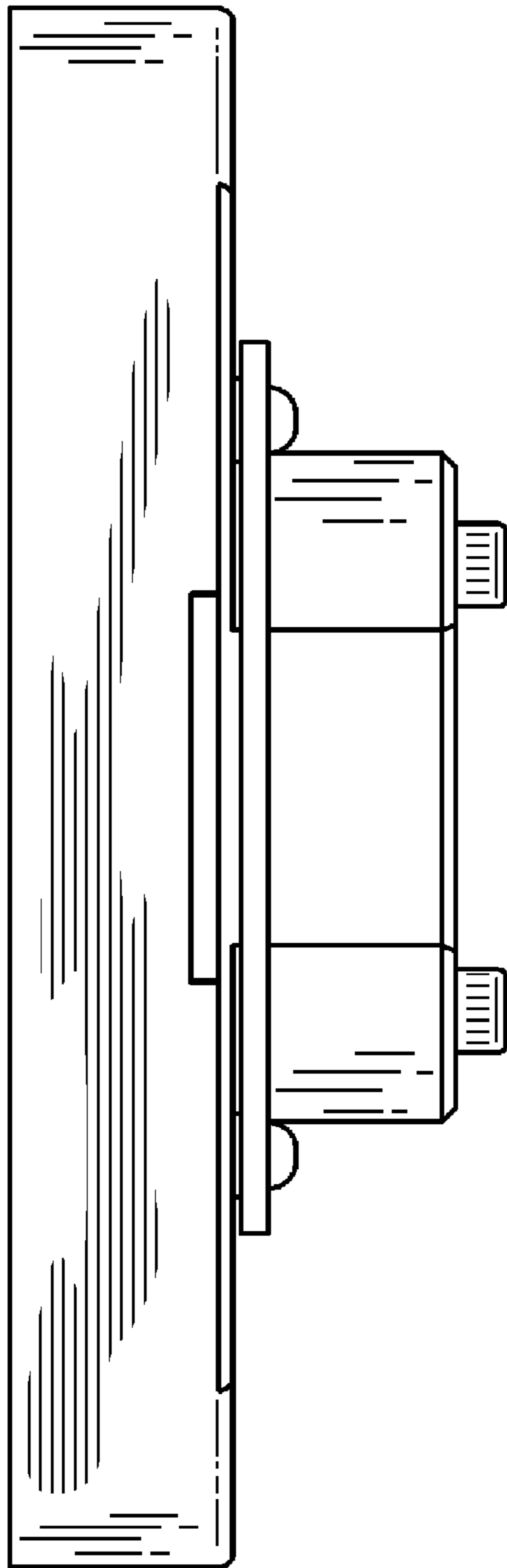


FIG. 6

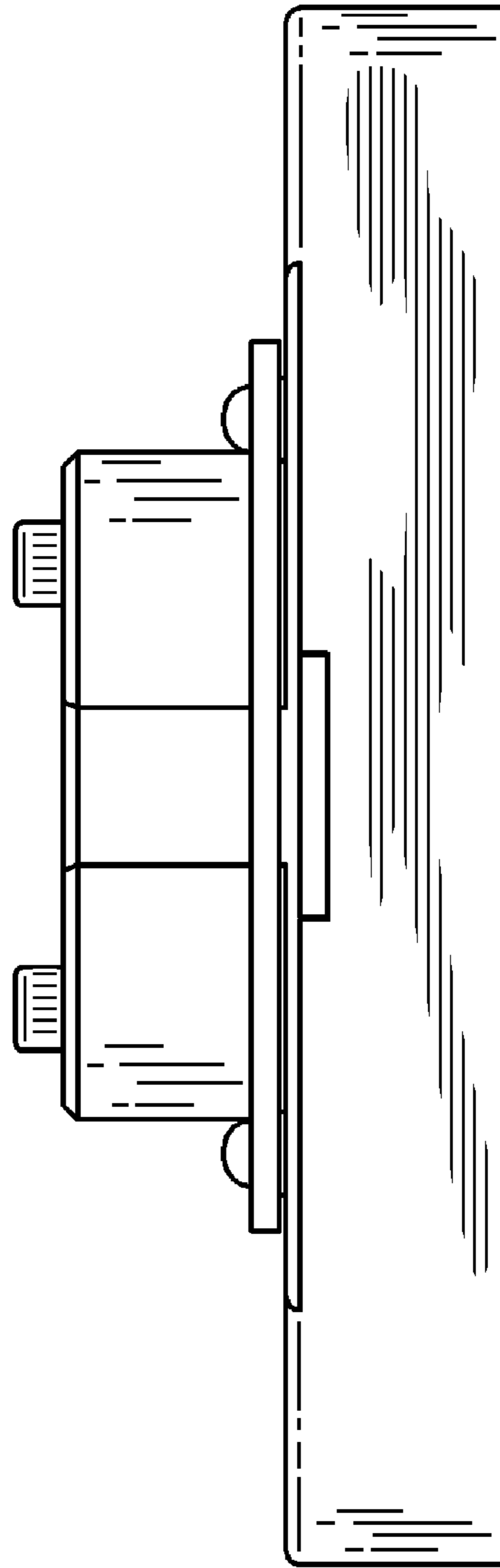


FIG. 7