



US00D700222S

(12) **United States Design Patent**  
**Sin et al.**

(10) **Patent No.:** **US D700,222 S**

(45) **Date of Patent:** **\*\* Feb. 25, 2014**

(54) **REFRIGERATOR**

(71) Applicant: **Samsung Electronics Co., Ltd.**,  
Suwon-Si (KR)

(72) Inventors: **Ri-Na Sin**, Seoul (KR); **Hyungyong Choi**,  
Yongin-si (KR); **Eunha Choi**, Yongin-si (KR); **Min Hyoug Boo**,  
Seoul (KR)

(73) Assignee: **Samsung Electronics Co., Ltd.**,  
Gyeonggi-do (KR)

(\*\*) Term: **14 Years**

(21) Appl. No.: **29/454,262**

(22) Filed: **May 8, 2013**

**Related U.S. Application Data**

(63) Continuation of application No. 29/428,242, filed on  
Jul. 27, 2012, now Pat. No. Des. 692,033.

(30) **Foreign Application Priority Data**

Nov. 28, 2012 (KR) ..... 30-2012-0057130

(51) **LOC (10) Cl.** ..... **15-07**

(52) **U.S. Cl.**  
USPC ..... **D15/89**

(58) **Field of Classification Search**  
USPC ..... D15/79, 81, 84-88, 91, 89; 62/3.6,  
62/246-255, 3.63, 3.64, 293, 467, 339,  
62/373, 457, 265, 331, 337; 312/400-409,  
312/139.2, 236, 297, 116, 117  
See application file for complete search history.

(56) **References Cited**

**U.S. PATENT DOCUMENTS**

D190,453 S \* 5/1961 Munz et al. .... D15/86  
D541,828 S \* 5/2007 Nishibori ..... D15/87

D615,564 S \* 5/2010 Kristiansen et al. .... D15/86  
D629,021 S \* 12/2010 Cho et al. .... D15/85  
D647,927 S \* 11/2011 Lee et al. .... D15/85  
D655,321 S \* 3/2012 Lee et al. .... D15/86  
D657,805 S \* 4/2012 Cho et al. .... D15/86  
D658,214 S \* 4/2012 Seo et al. .... D15/86  
D658,215 S \* 4/2012 Seo et al. .... D15/86  
D665,828 S \* 8/2012 Hong et al. .... D15/91  
D666,636 S \* 9/2012 Jidam et al. .... D15/86  
D668,696 S \* 10/2012 Seo et al. .... D15/86  
D671,151 S \* 11/2012 Seo et al. .... D15/86  
D671,572 S \* 11/2012 Seo et al. .... D15/86  
D672,375 S \* 12/2012 Lee et al. .... D15/86  
D673,191 S \* 12/2012 Jidam et al. .... D15/91  
D674,415 S \* 1/2013 Lee et al. .... D15/86  
D674,418 S \* 1/2013 Seo et al. .... D15/86  
D678,922 S \* 3/2013 Lee et al. .... D15/86  
D680,138 S \* 4/2013 Seo et al. .... D15/86  
D681,695 S \* 5/2013 Lee et al. .... D15/86

\* cited by examiner

*Primary Examiner* — Mitchell Siegel

(74) *Attorney, Agent, or Firm* — Harness, Dickey & Pierce,  
P.L.C.

(57) **CLAIM**

The ornamental design for a refrigerator, as shown and  
described.

**DESCRIPTION**

FIG. 1 is a front/right-side/top perspective view of a refrig-  
erator showing our new design;  
FIG. 2 is a front-side elevational view thereof;  
FIG. 3 is a rear-side elevational view thereof;  
FIG. 4 is a left-side elevational view thereof;  
FIG. 5 is a right-side elevational view thereof;  
FIG. 6 is a top-side elevational view thereof;  
FIG. 7 is a bottom-side elevational view thereof; and,  
FIG. 8 is an enlarged front/right-side/top perspective view  
thereof.

The broken-line showing is included for the purposes of illus-  
trating and forms no part of the claimed design.

**1 Claim, 8 Drawing Sheets**

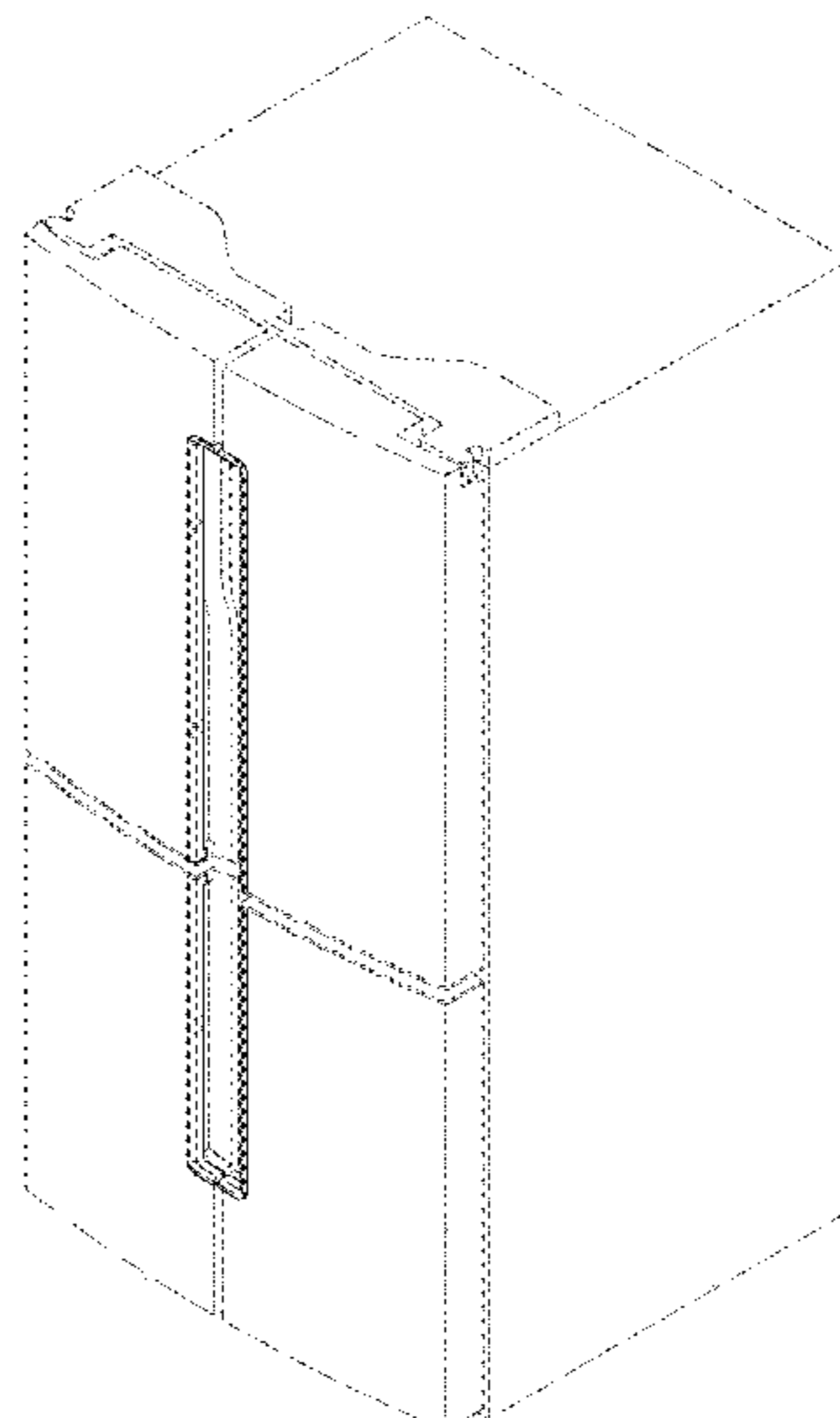


FIG. 1

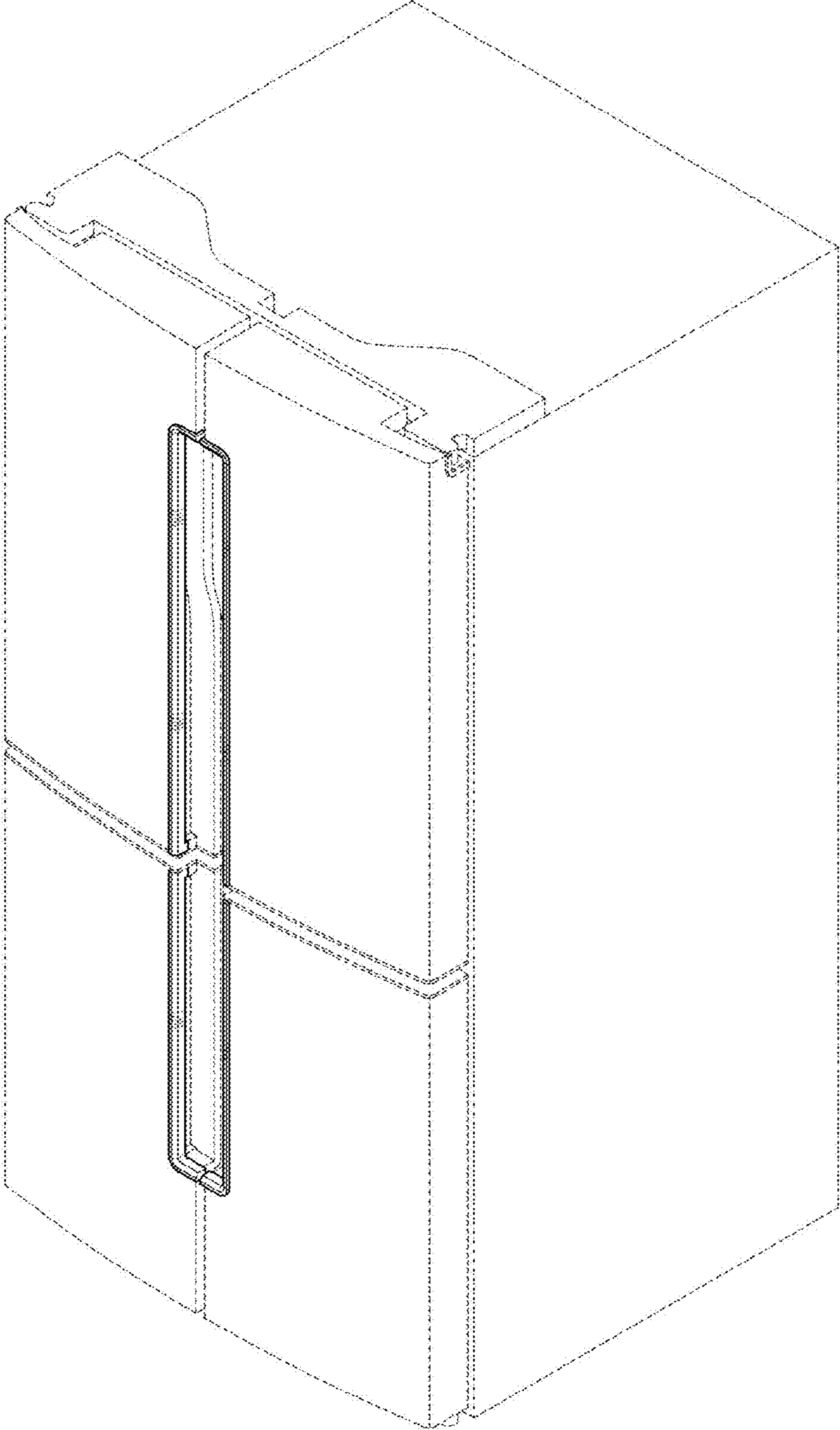


FIG. 2

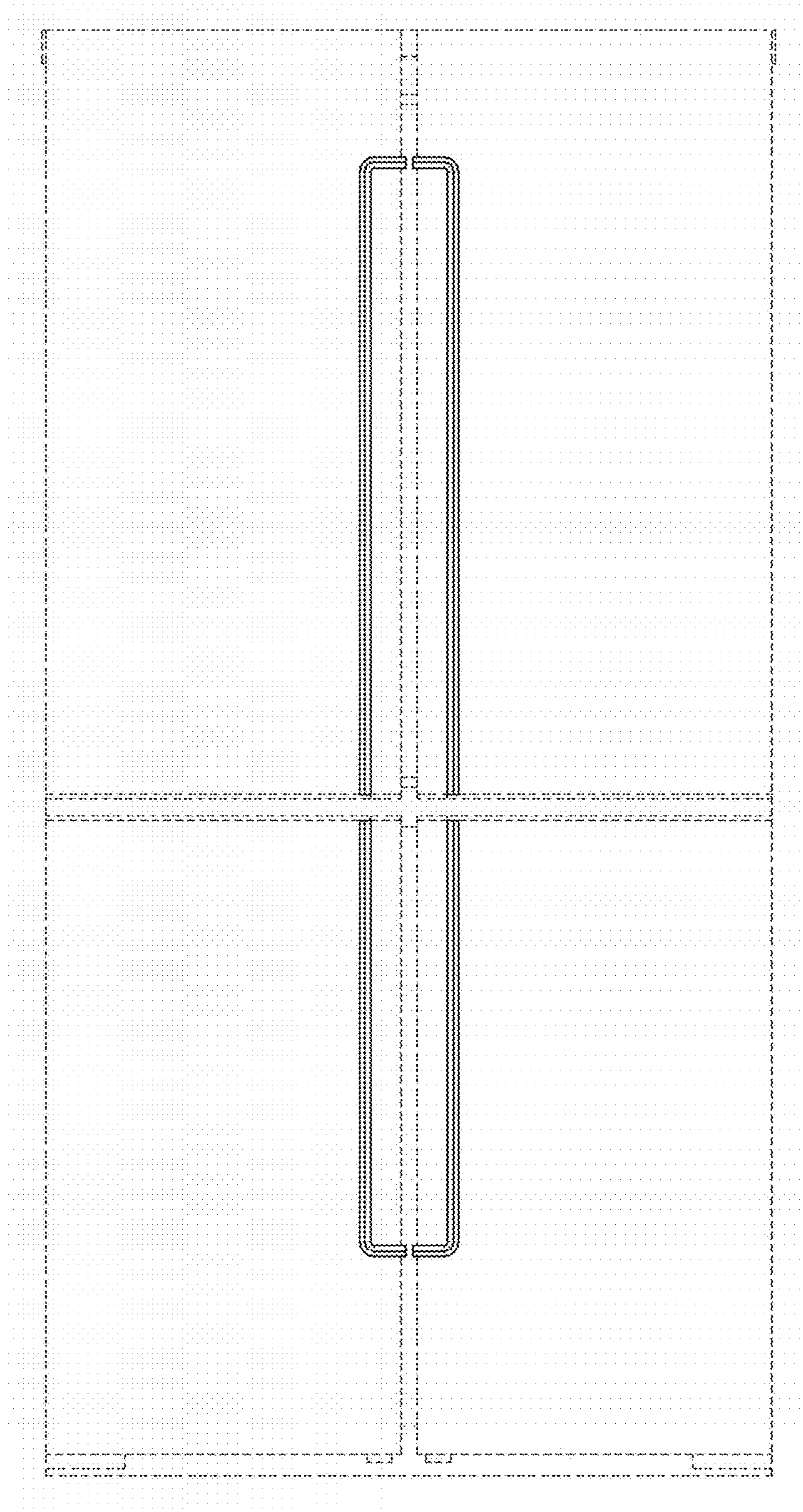


FIG. 3

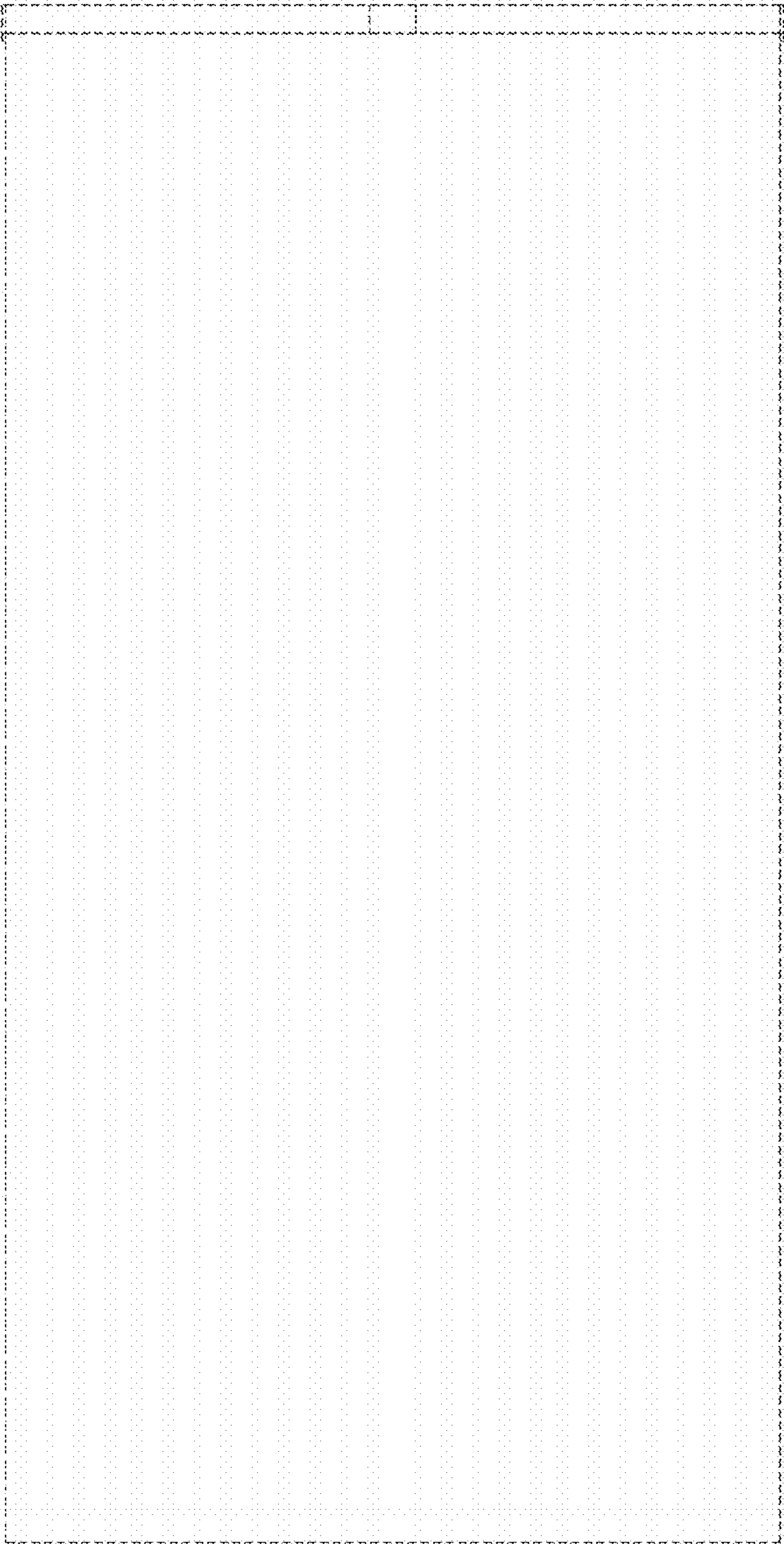




FIG. 4

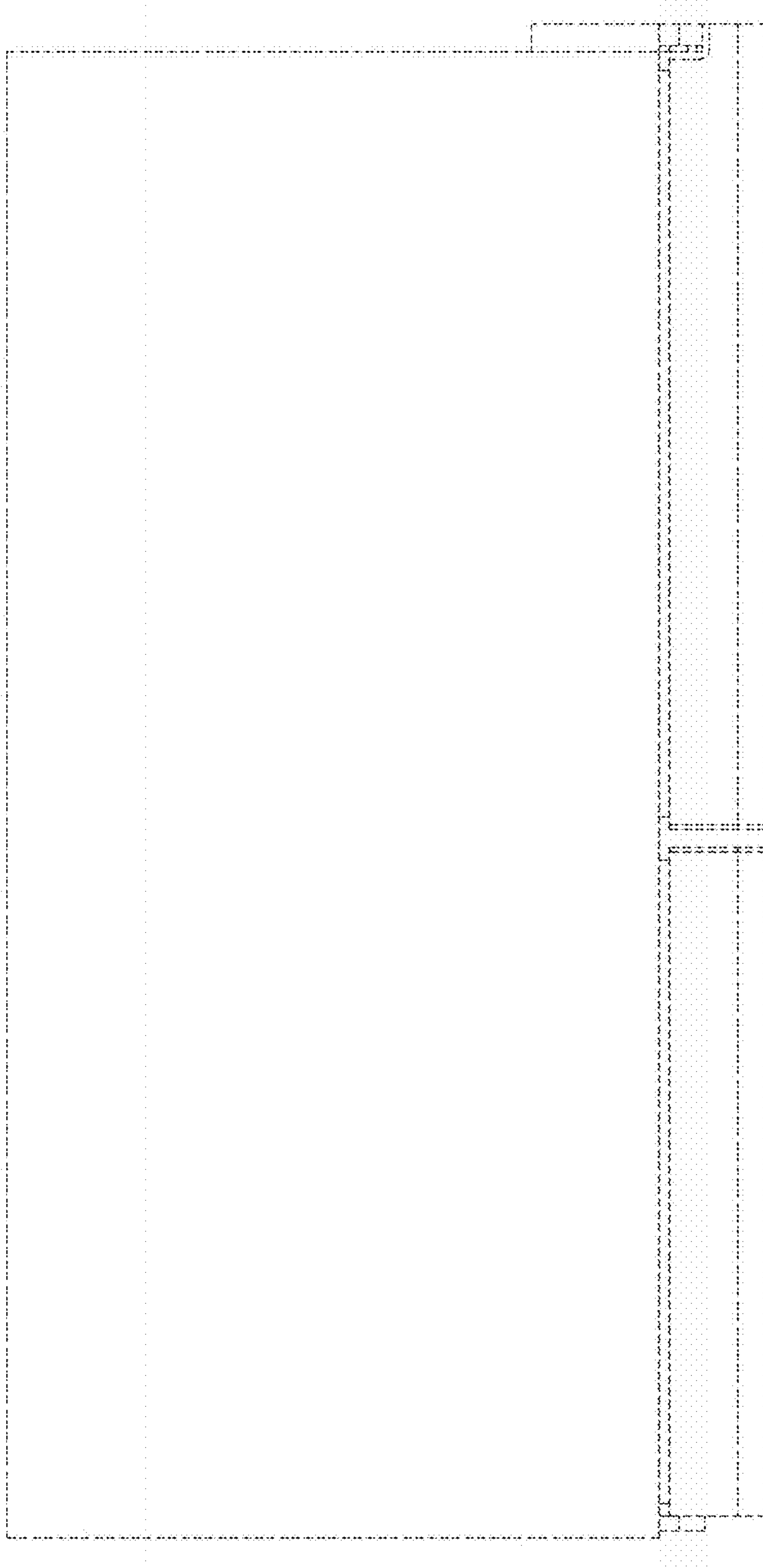


FIG. 5

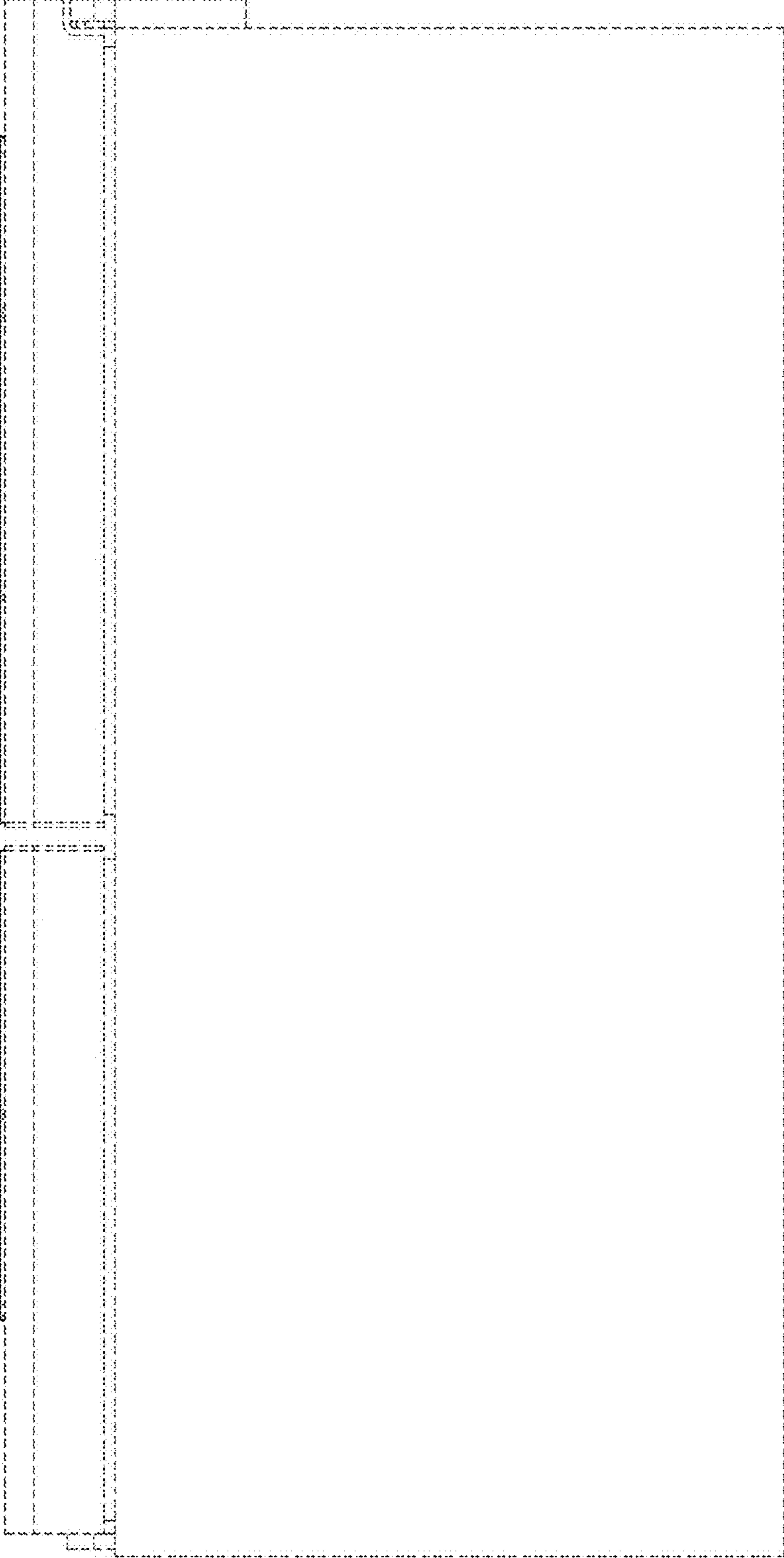


FIG. 6

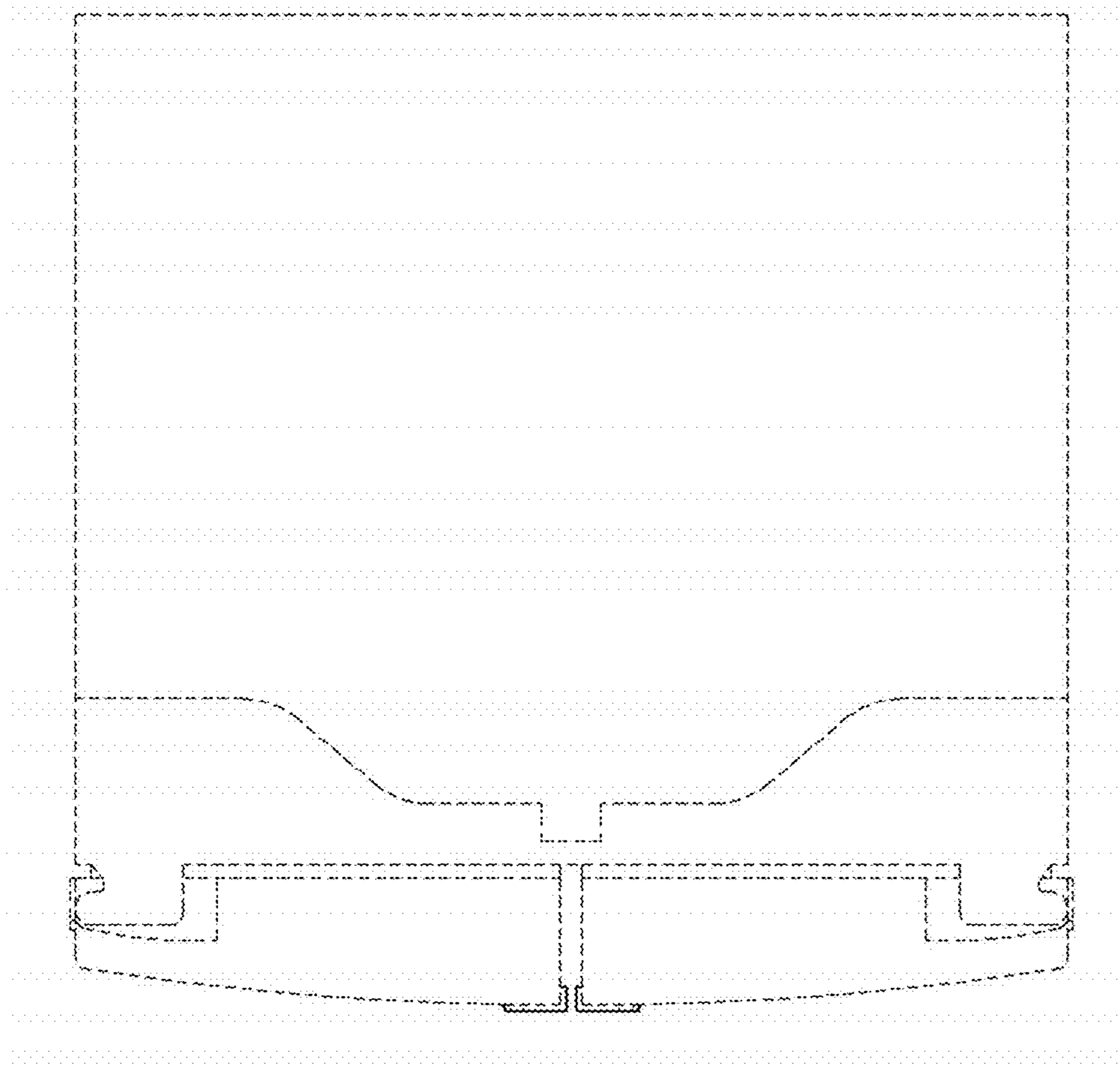


FIG. 7

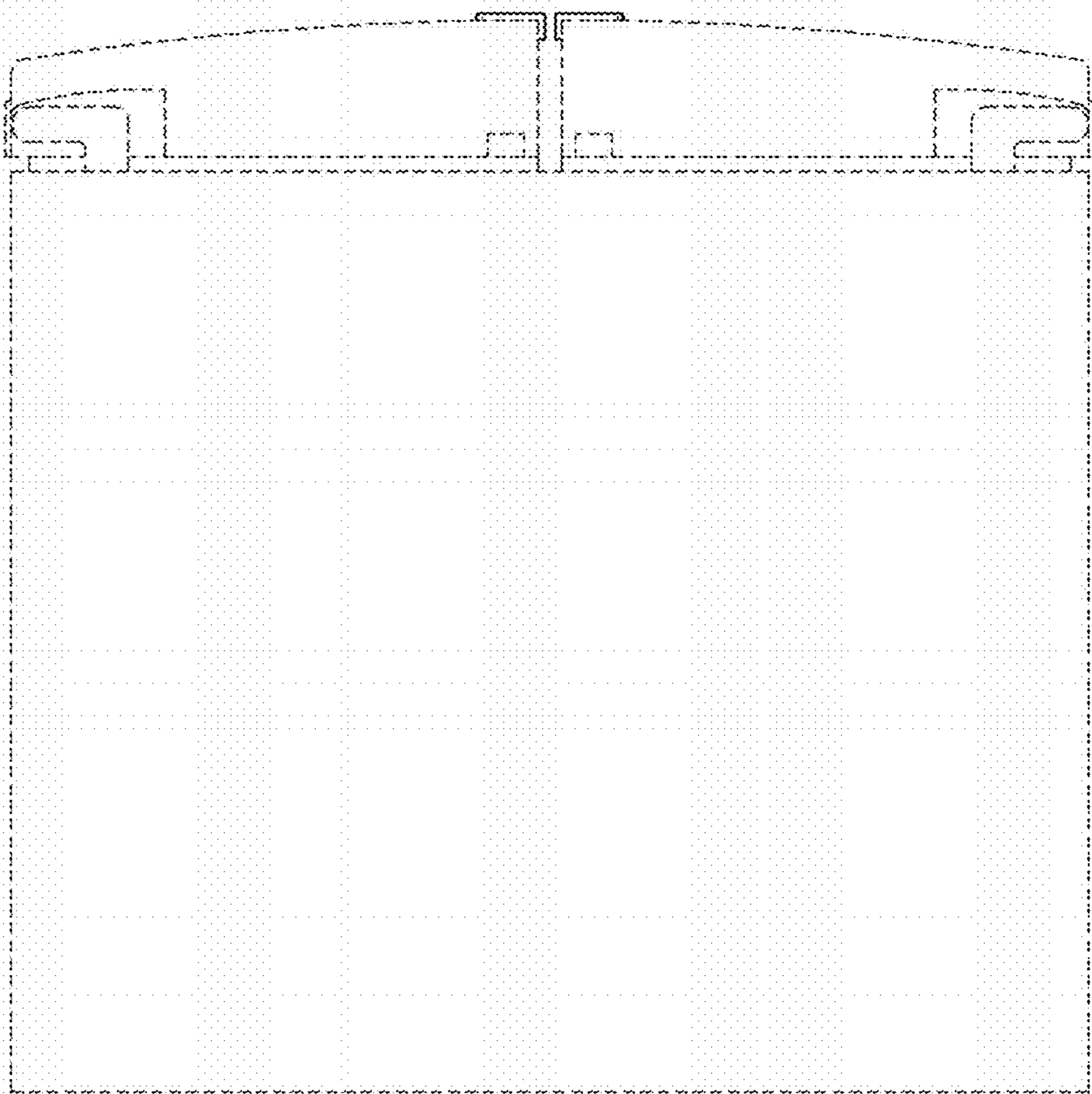




FIG. 8

