

US00D700220S

(12) **United States Design Patent**  
**Crorey**

(10) **Patent No.:** **US D700,220 S**  
(45) **Date of Patent:** **\*\* Feb. 25, 2014**

(54) **LANYARD MAKER**  
(71) Applicant: **David J. Crorey**, Clinton Township, MI (US)  
(72) Inventor: **David J. Crorey**, Clinton Township, MI (US)  
(\*\*) Term: **14 Years**  
(21) Appl. No.: **29/443,338**

6,119,854 A 9/2000 Prentice et al.  
6,719,013 B1 4/2004 D'Estais  
6,910,748 B1 6/2005 Fountain  
7,147,008 B2 12/2006 Saylor  
D563,997 S \* 3/2008 Gustin ..... D15/78  
D619,150 S \* 7/2010 Crorey ..... D15/78  
D626,574 S \* 11/2010 Crorey ..... D15/78  
7,946,631 B2 \* 5/2011 Crorey ..... 289/2  
D656,524 S \* 3/2012 Karwowiec ..... D15/78  
8,172,281 B2 \* 5/2012 Crorey ..... 289/17  
D667,468 S \* 9/2012 Crorey ..... D15/78  
8,371,624 B2 \* 2/2013 Karwowiec et al. .... 289/17  
2006/0169608 A1 8/2006 Carnevali

(22) Filed: **Jan. 16, 2013**  
(51) **LOC (10) Cl.** ..... **15-06**  
(52) **U.S. Cl.**  
USPC ..... **D15/78**  
(58) **Field of Classification Search**  
USPC ..... D15/66-78; 289/2, 17; 28/152  
See application file for complete search history.

**FOREIGN PATENT DOCUMENTS**

JP 01256315 A 10/1989  
WO 2006053909 A1 5/2006

**OTHER PUBLICATIONS**

Notification of Transmittal, International Search Report and Written Opinion dated Aug. 19, 2010 from International Application No. PCT/US2010/021101.

(56) **References Cited**

**U.S. PATENT DOCUMENTS**

758,376 A 4/1904 Mees  
1,203,781 A 11/1916 Ratycia  
2,043,082 A 6/1936 Wallach  
2,072,668 A 3/1937 Eltgroth  
2,123,077 A 7/1938 Mayer  
2,129,297 A 9/1938 Zippel  
D134,208 S 10/1942 McCrary  
D142,530 S 10/1945 Rosenblatt  
2,395,981 A 3/1946 Walker  
2,601,222 A 6/1952 Wehrli  
2,663,066 A \* 12/1953 Berger et al. .... 28/152  
D204,442 S \* 4/1966 Brawley ..... D15/66  
3,545,069 A 12/1970 Krieger  
3,650,010 A 3/1972 Powell, Jr.  
3,708,862 A 1/1973 Powell, Jr.  
3,800,372 A \* 4/1974 Daoust ..... 28/152  
D238,812 S 2/1976 Fioretti  
4,045,061 A 8/1977 Fierro  
4,103,944 A 8/1978 Alvarado et al.  
D257,257 S 10/1980 McArthur  
4,260,185 A 4/1981 Shiplee, III  
4,401,329 A 8/1983 Pedroia  
D273,588 S \* 4/1984 Barrett ..... D15/66  
D310,672 S \* 9/1990 Harvey et al. .... D15/66

\* cited by examiner

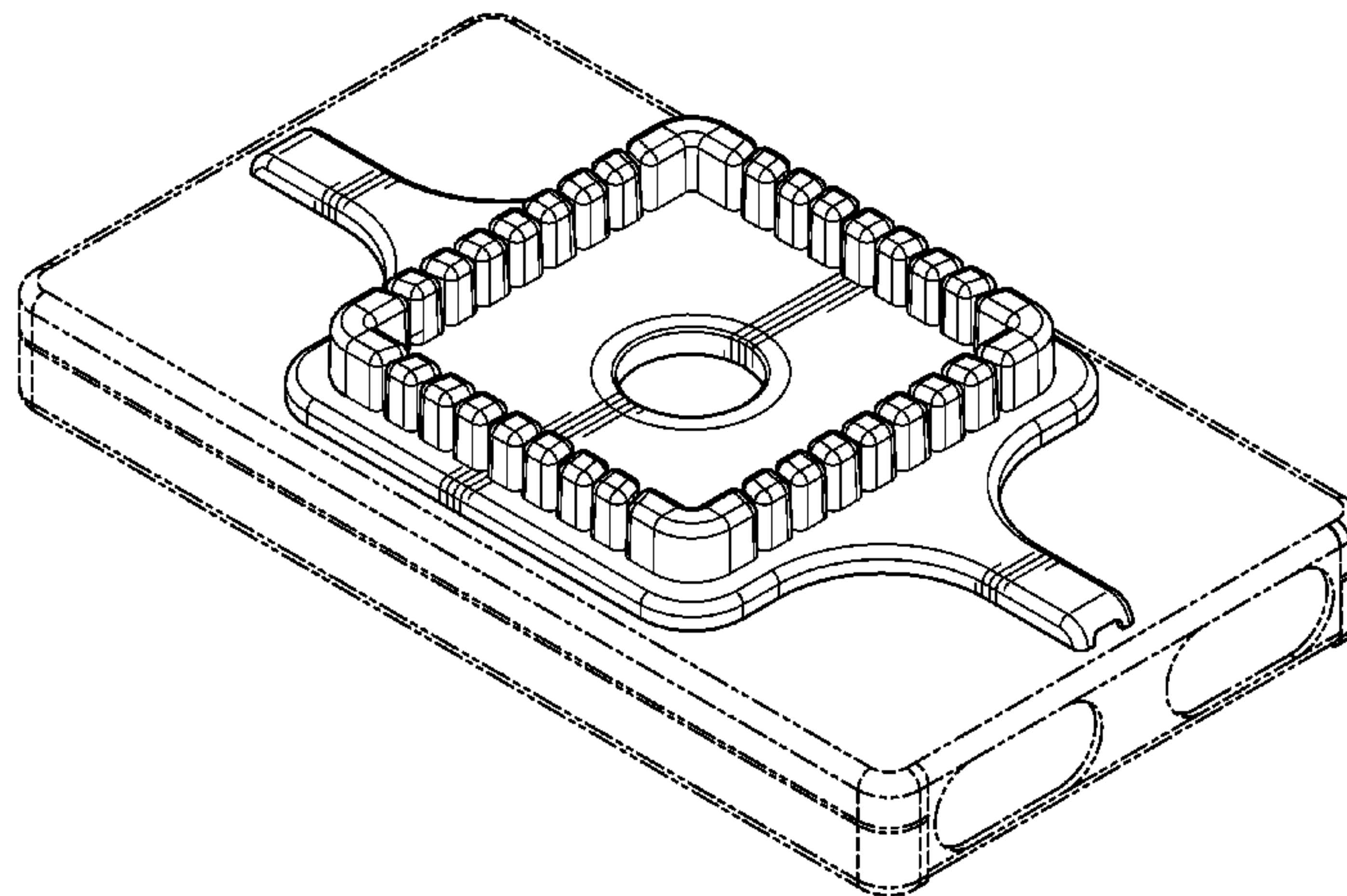
*Primary Examiner* — Mitchell Siegel  
(74) *Attorney, Agent, or Firm* — Young Basile

(57) **CLAIM**  
The ornamental design for a lanyard maker, as shown and described.

**DESCRIPTION**

FIG. 1 is a perspective view of a lanyard maker showing my new design;  
FIG. 2 is a top plan thereof;  
FIG. 3 is a front view thereof;  
FIG. 4 is a right side view thereof;  
FIG. 5 is a rear view thereof; and,  
FIG. 6 is a left view thereof.  
The broken lines shown in the drawing disclosure are for illustrative purposes only and form no part of the claimed design.

**1 Claim, 4 Drawing Sheets**



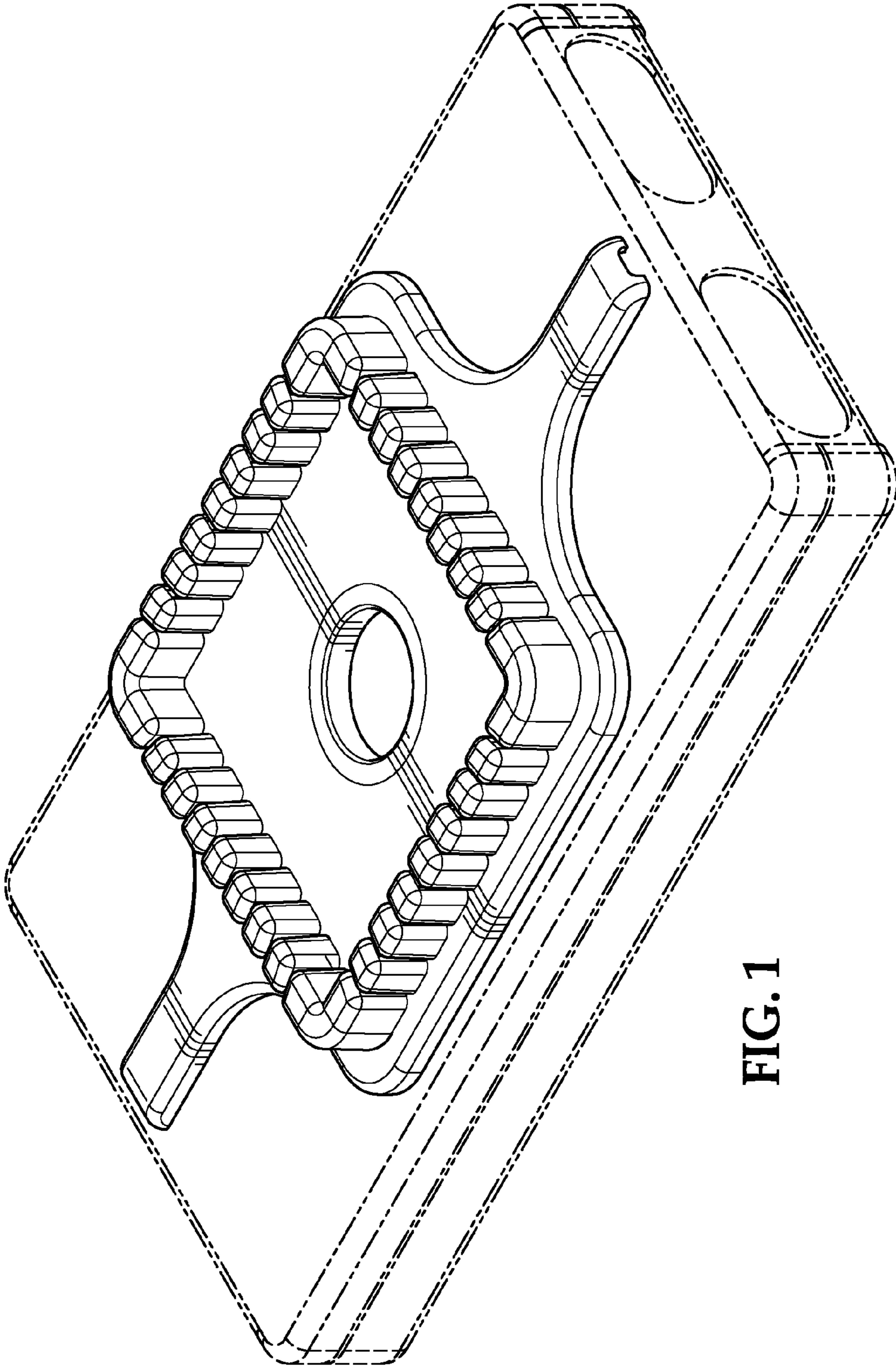


FIG. 1

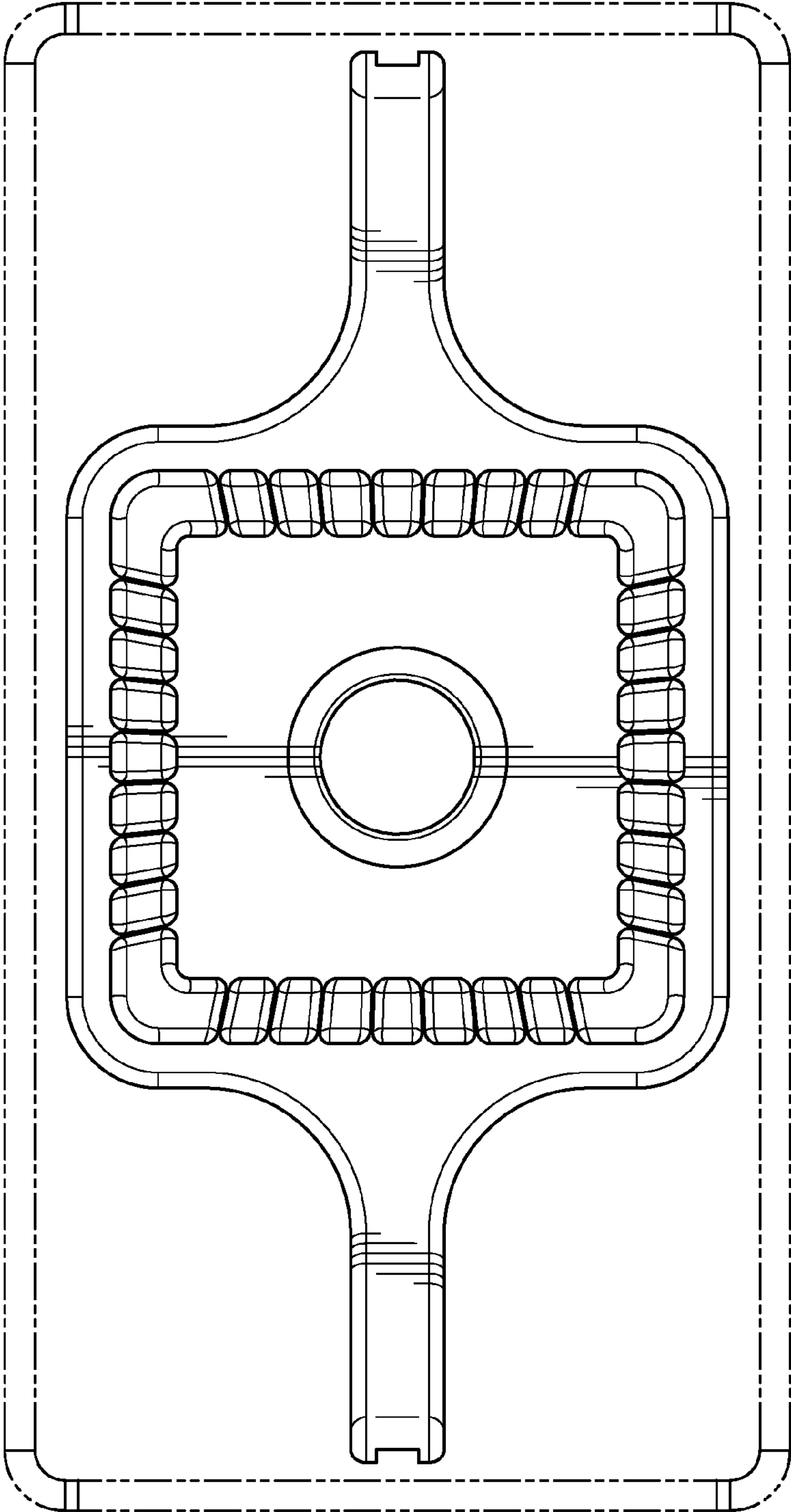


FIG. 2

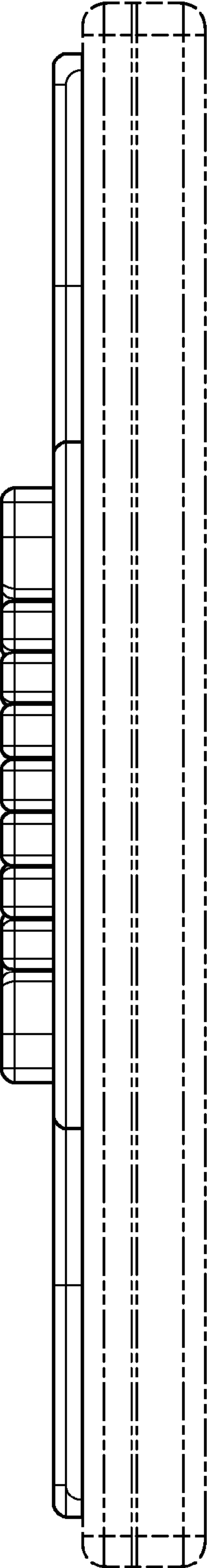


FIG. 3

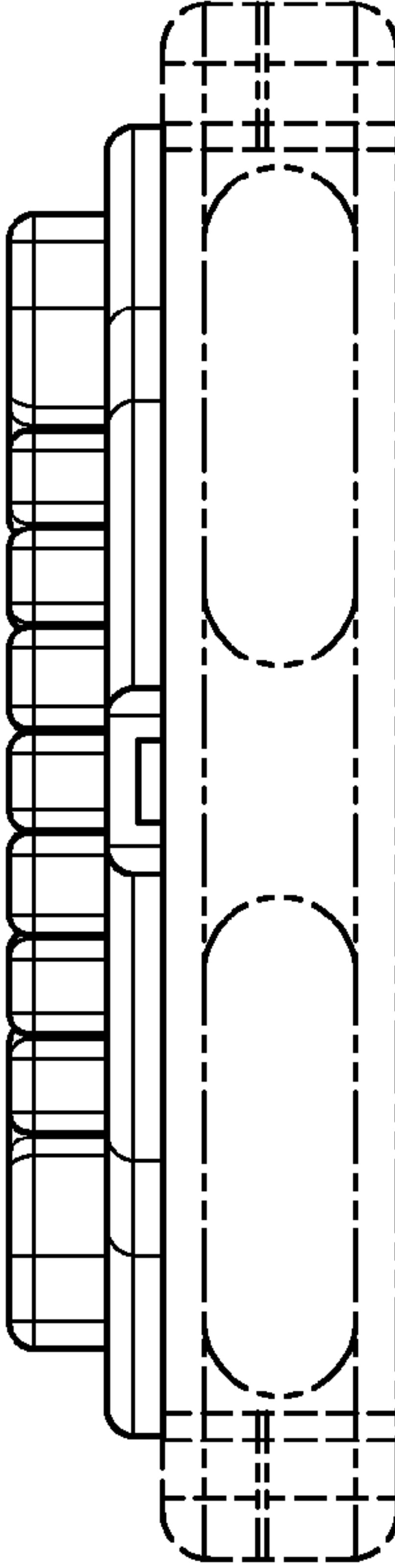


FIG. 4

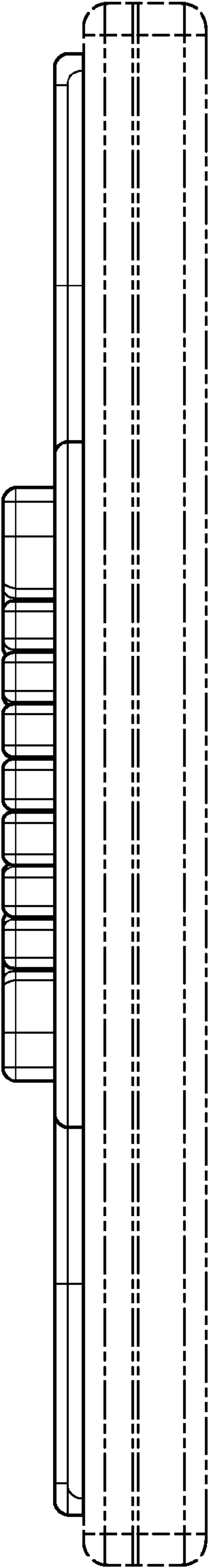


FIG. 5

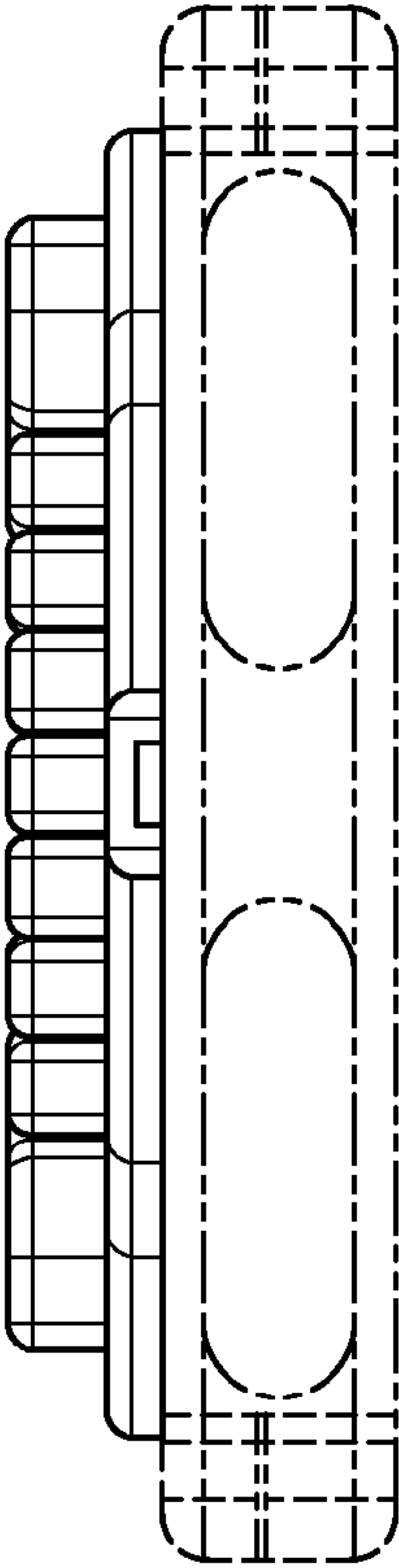


FIG. 6