



US00D700219S

(12) **United States Design Patent**
Paterson

(10) **Patent No.:** **US D700,219 S**
(45) **Date of Patent:** **** Feb. 25, 2014**

(54) **GROUND ENGAGING ELEMENT
MOUNTING HUB FOR AN AGRICULTURAL
TILLAGE CHAIN**

(71) Applicant: **Kentyn Scott Paterson**, Bute (AU)

(72) Inventor: **Kentyn Scott Paterson**, Bute (AU)

(**) Term: **14 Years**

(21) Appl. No.: **29/444,029**

(22) Filed: **Jan. 25, 2013**

(30) **Foreign Application Priority Data**

Aug. 16, 2012 (AU) 344376

(51) **LOC (10) Cl.** **15-03**

(52) **U.S. Cl.**
USPC **D15/28**

(58) **Field of Classification Search**
USPC D15/10, 11, 27, 28, 29, 33; 172/579,
172/311, 568, 612, 468, 637, 662, 684.5,
172/689, 551, 576, 595, 455, 518, 527, 567,
172/586, 142, 152, 154, 178, 181, 196, 442,
172/440, 441, 314, 548, 454, 583, 140, 776,
172/22, 145-147, 175, 669

See application file for complete search history.

(56) **References Cited**

U.S. PATENT DOCUMENTS

130,451	A *	8/1872	Swift	172/612
4,685,555	A *	8/1987	Smith	198/731
D299,239	S *	1/1989	Henningsen	D15/28
D299,240	S *	1/1989	Henningsen	D15/28
7,607,489	B2 *	10/2009	Kelly et al.	172/579
D615,107	S *	5/2010	Kelly et al.	D15/28
D615,108	S *	5/2010	Kelly et al.	D15/28
D624,938	S *	10/2010	Kelly et al.	D15/28
D629,428	S *	12/2010	Paterson	D15/28
7,963,345	B1 *	6/2011	Hicks et al.	172/612
2010/0018731	A1 *	1/2010	Kelly et al.	172/579
2012/0247795	A1 *	10/2012	Hicks et al.	172/612

FOREIGN PATENT DOCUMENTS

AU	344028	8/2012
AU	344376	9/2012
AU	344377	9/2012
AU	344815	10/2012

OTHER PUBLICATIONS

Co-pending U.S. Appl. No. 29/444,027, filed Jan. 25, 2013.
Co-pending U.S. Appl. No. 29/444,031, filed Jan. 25, 2013.
Co-pending U.S. Appl. No. 29/444,032, filed Jan. 25, 2013.
United States Patent Office Notice of Allowance for U.S. Appl. No. 29/444,027 dated Jul. 8, 2013 (9 pages).
United States Patent Office Notice of Allowance for U.S. Appl. No. 29/444,031 dated Jul. 12, 2013 (9 pages).

* cited by examiner

Primary Examiner — Mark Goodwin

(74) *Attorney, Agent, or Firm* — Michael Best & Friedrich LLP

(57) **CLAIM**

The ornamental design for a ground engaging element mounting hub for an agricultural tillage chain, as shown and described.

DESCRIPTION

FIG. 1 is a top perspective view of a ground engaging element mounting hub for an agricultural tillage chain showing my new design.

FIG. 2 is a bottom perspective view thereof.

FIG. 3 is a side view thereof.

FIG. 4 is a partially cutaway side view thereof taken along line 3-3 of FIG. 3.

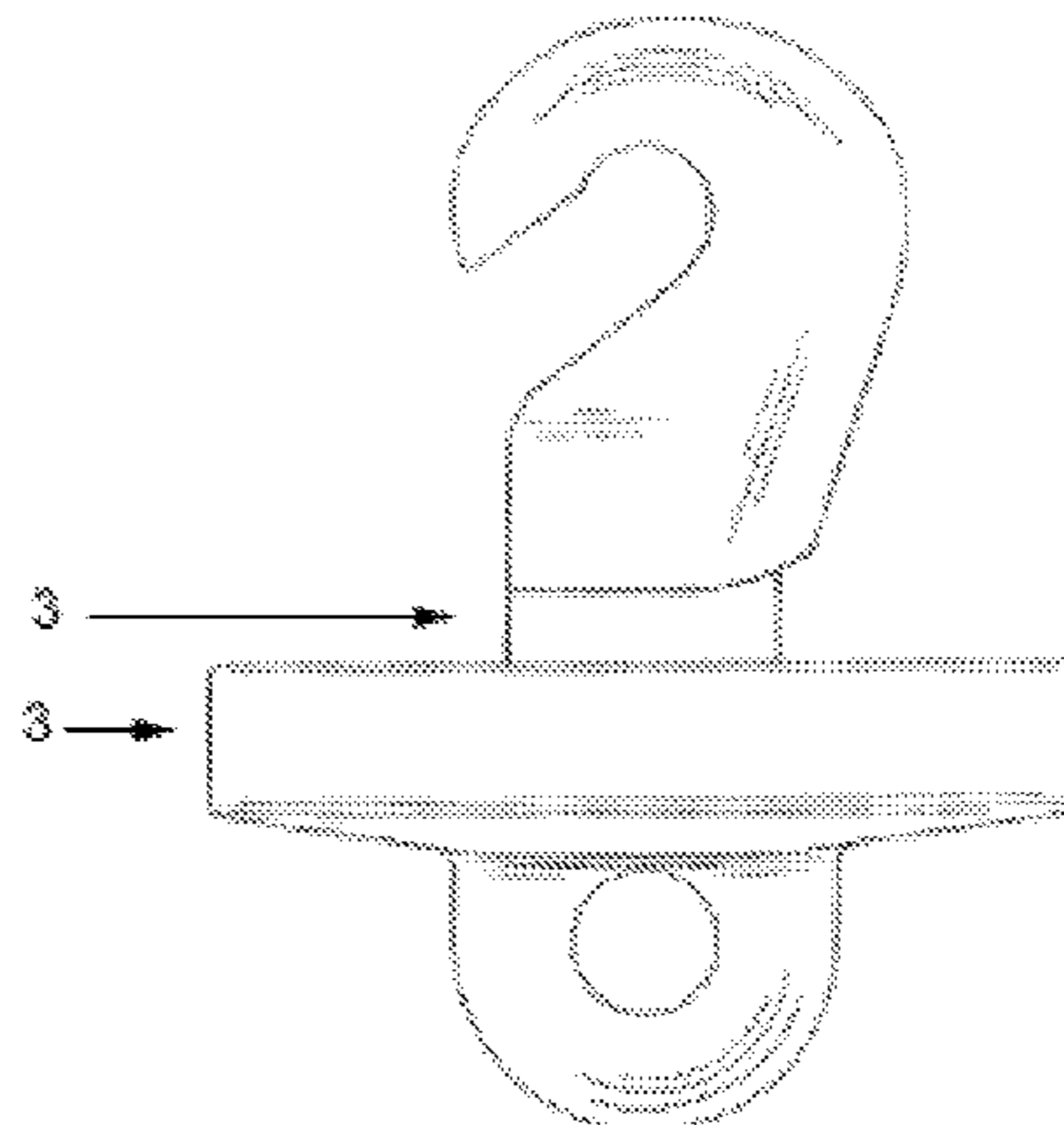
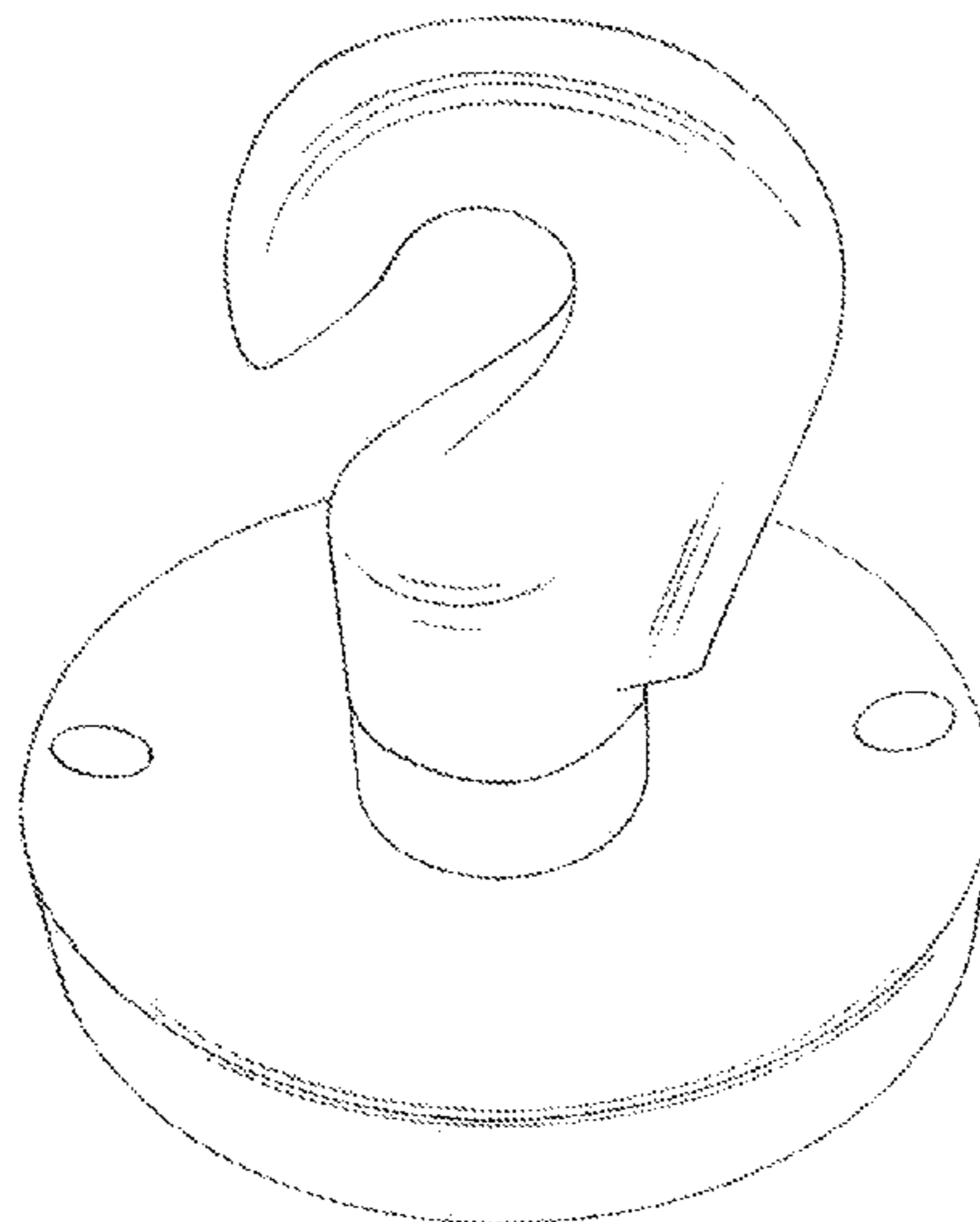
FIG. 5 is a front view thereof.

FIG. 6 is a rear view thereof.

FIG. 7 is a top view thereof; and,

FIG. 8 is a bottom view thereof.

1 Claim, 4 Drawing Sheets



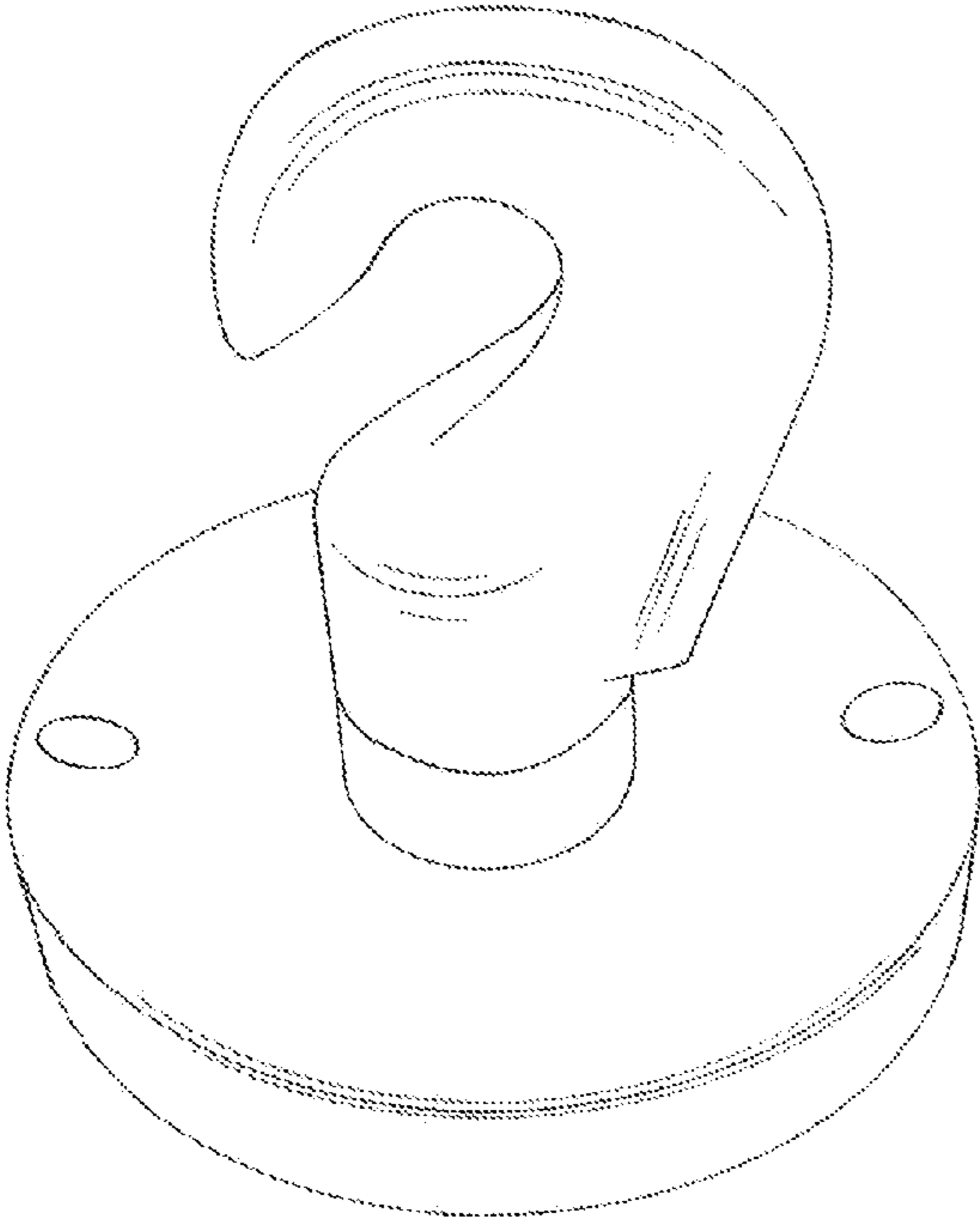


FIG. 1

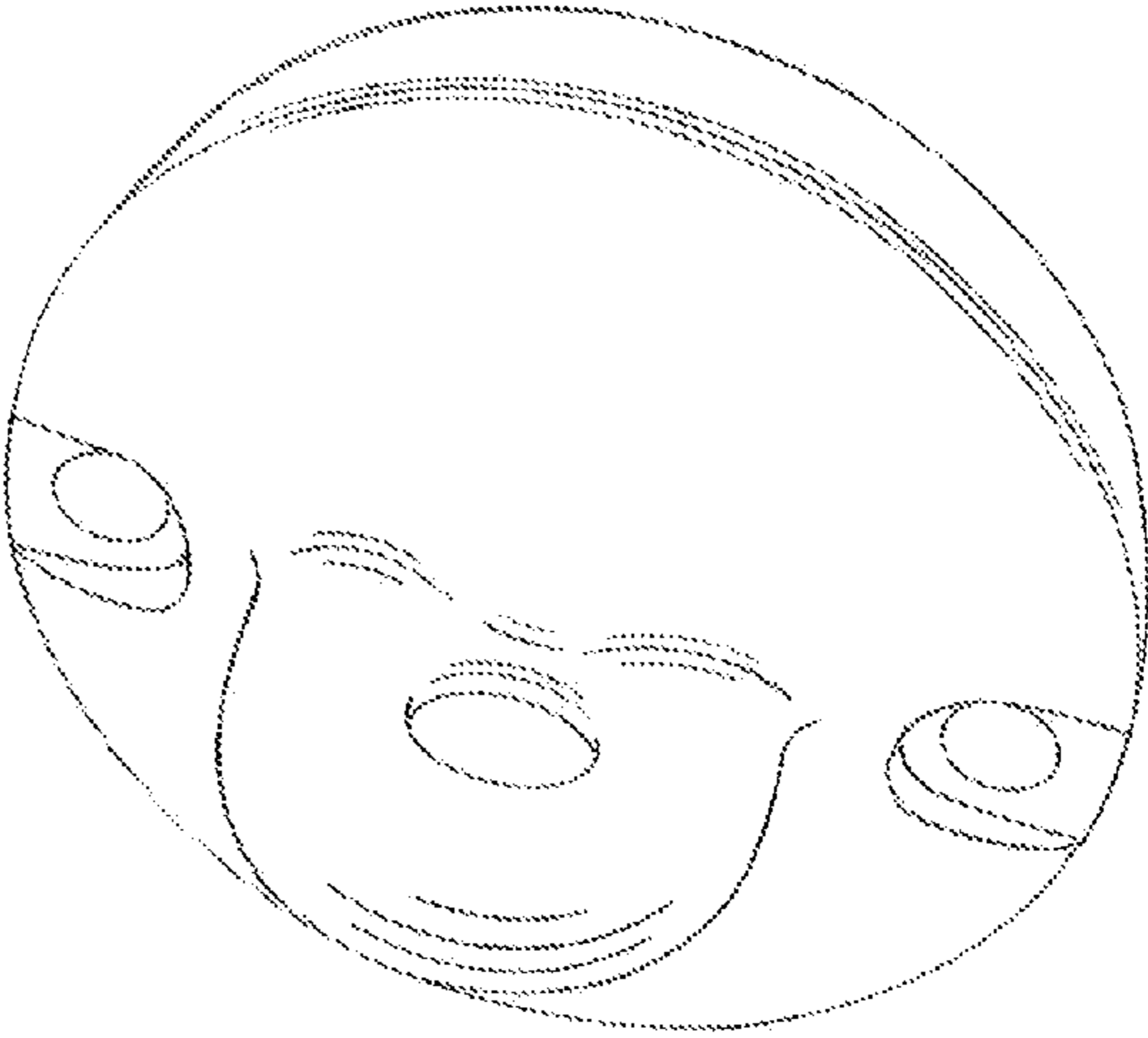


FIG. 2

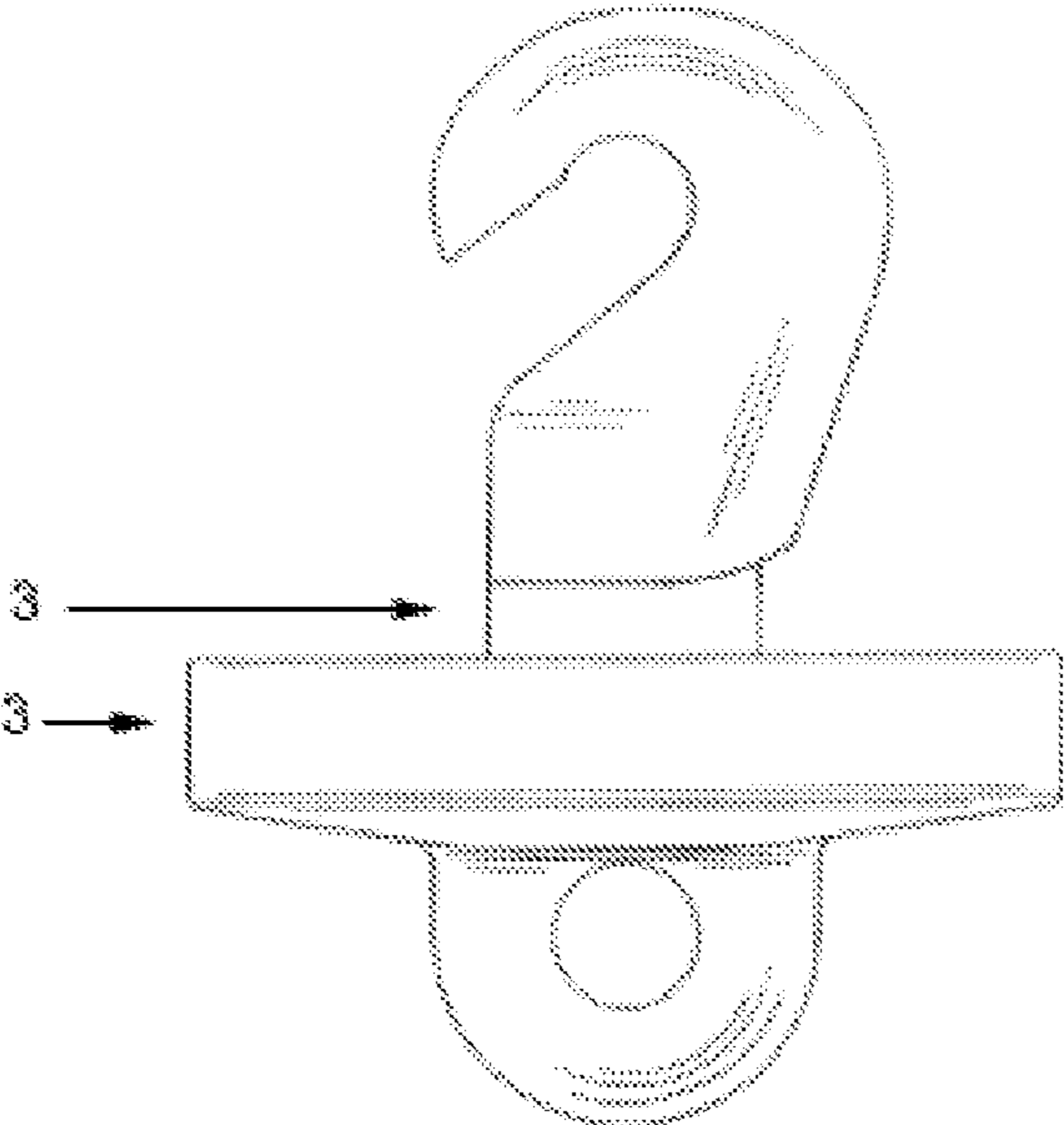


FIG. 3

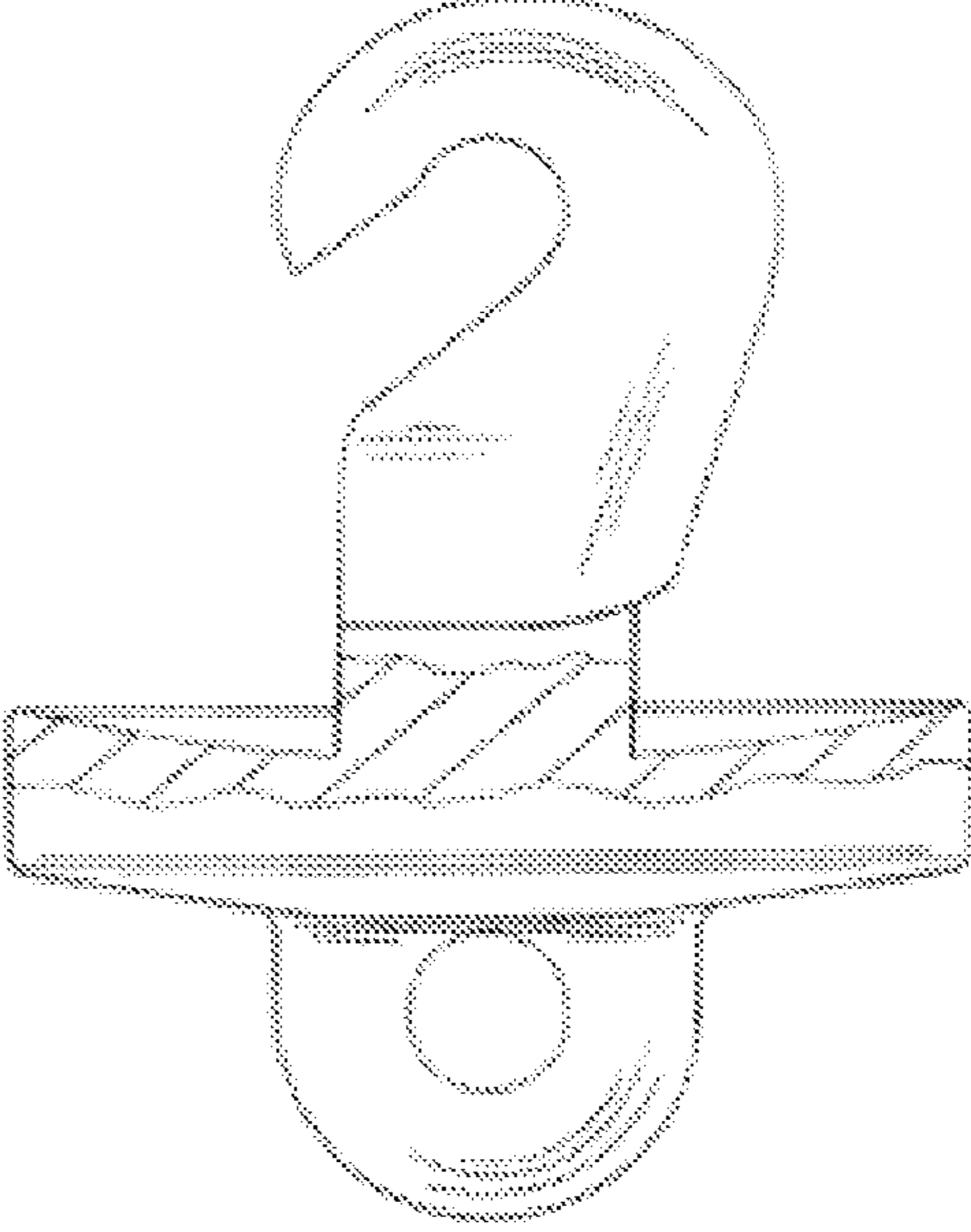


FIG. 4

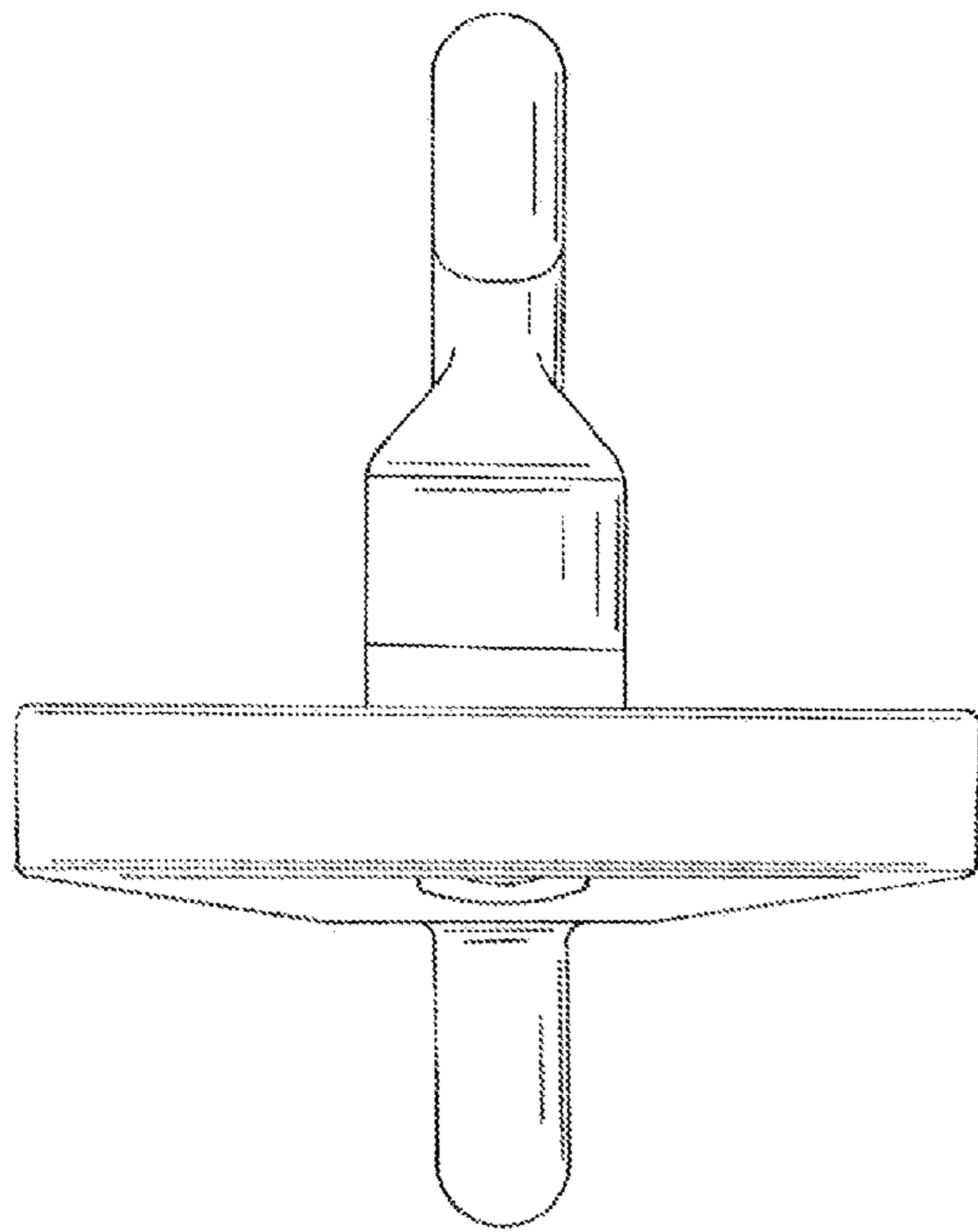


FIG. 5

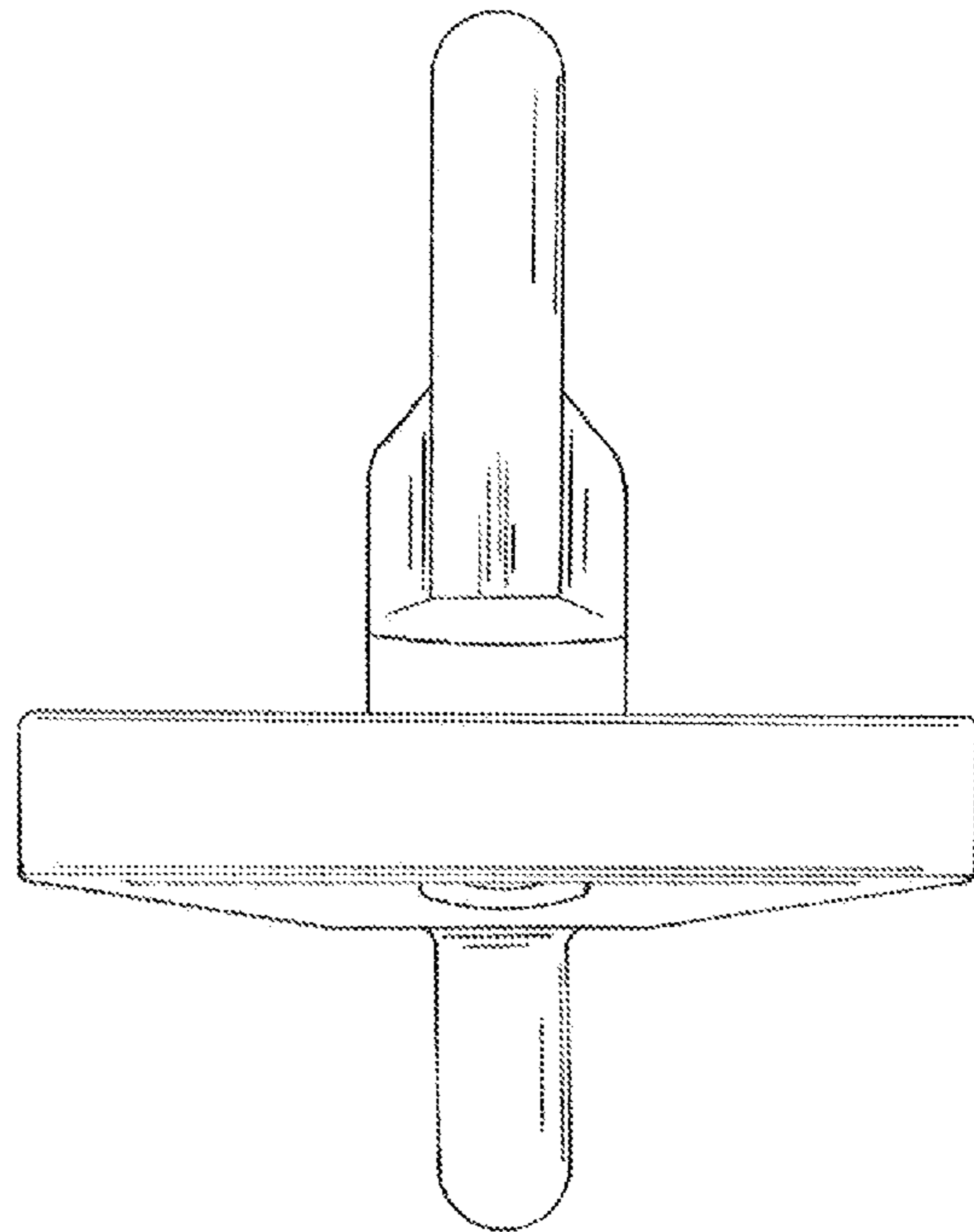


FIG. 6

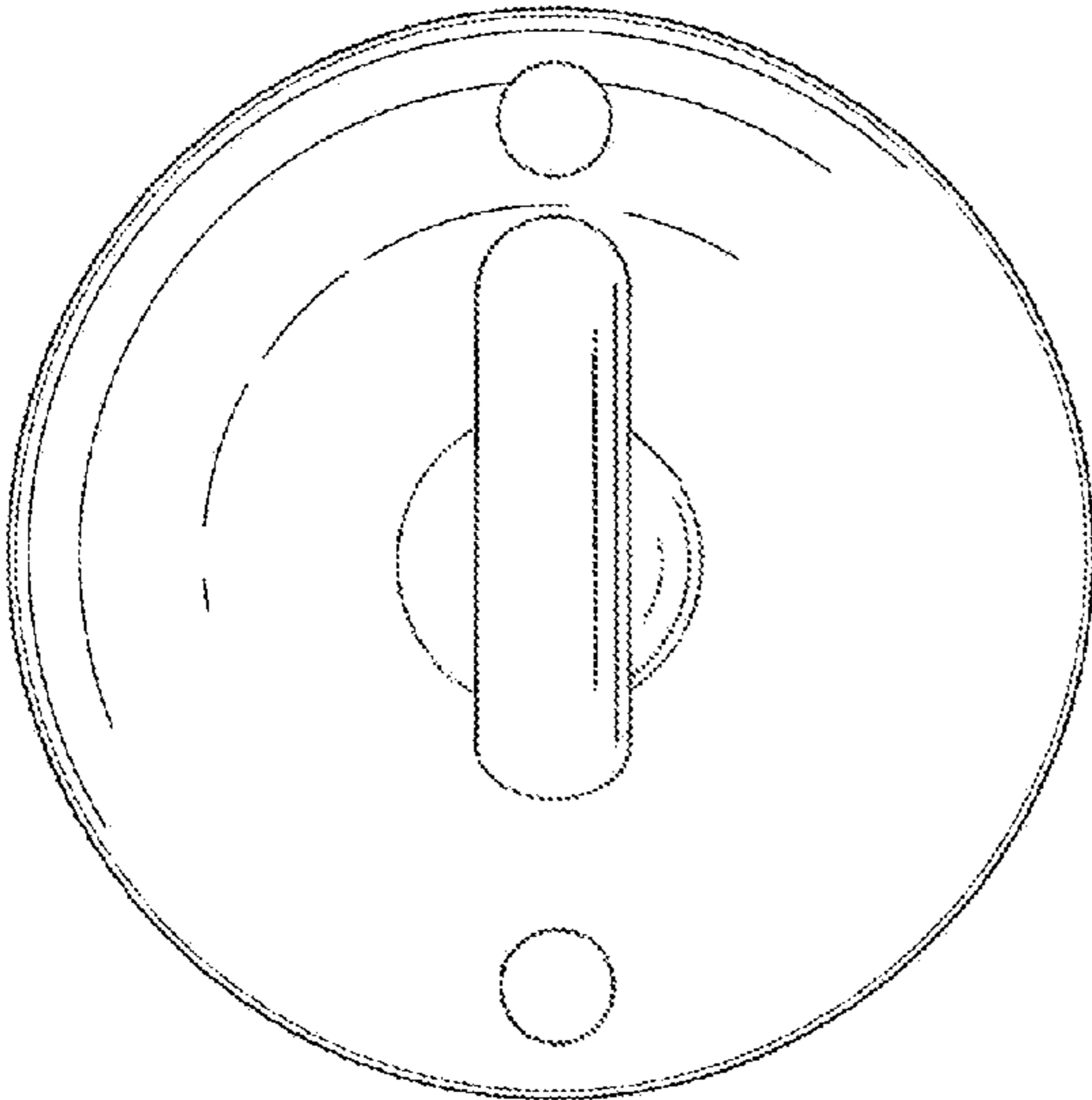


FIG. 7

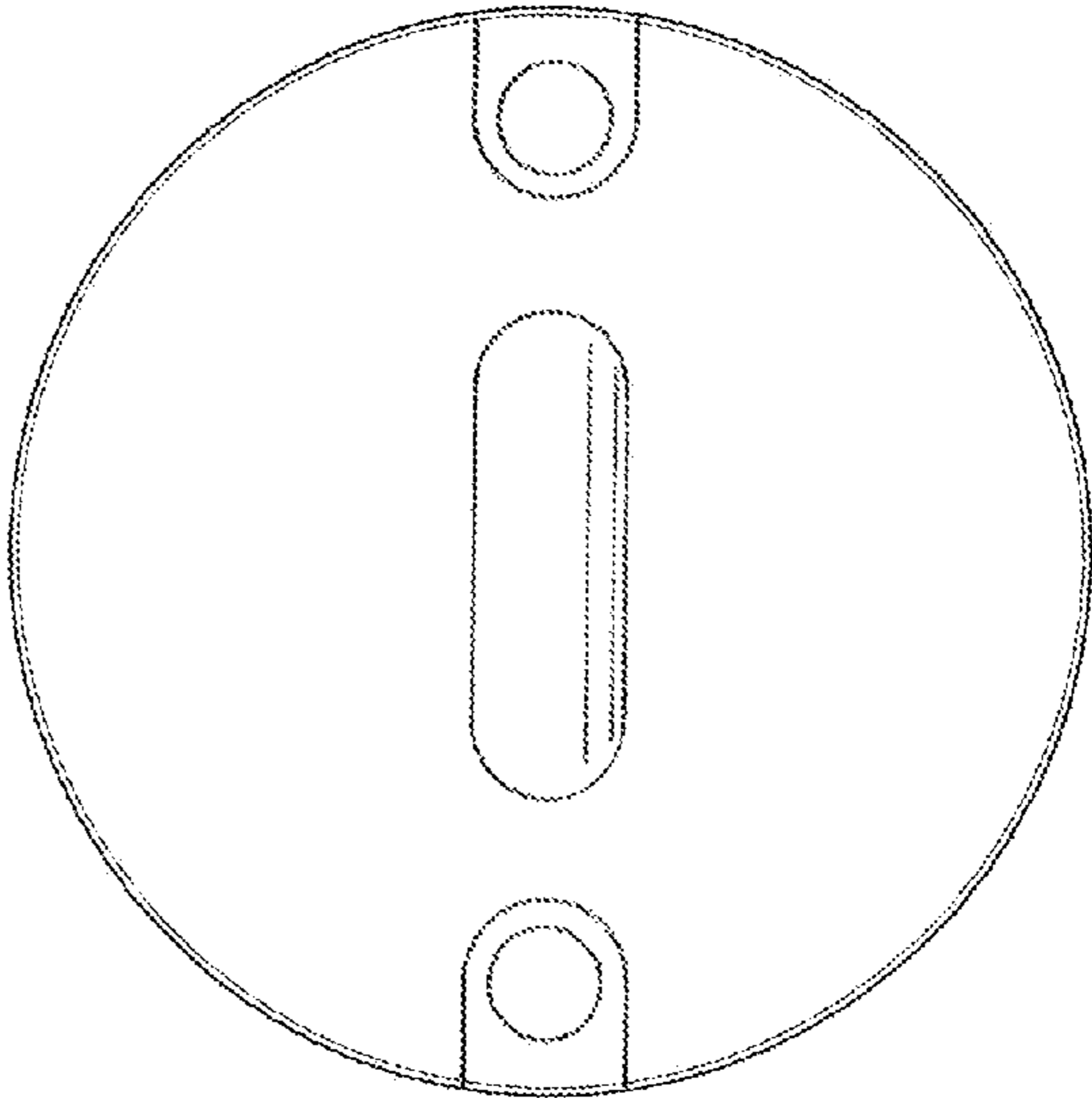


FIG. 8