



US00D700216S

(12) **United States Design Patent**  
**Ueda**

(10) **Patent No.:** **US D700,216 S**  
(45) **Date of Patent:** **\*\* Feb. 25, 2014**

(54) **COMBINED COMPRESSOR AND VACUUM MACHINE**

(71) Applicant: **Shinano Kenshi Co., Ltd.**, Ueda (JP)

(72) Inventor: **Kazuhiro Ueda**, Ueda (JP)

(73) Assignee: **Shinano Kenshi Co., Ltd.**, Ueda-Shi (JP)

(\*\*) Term: **14 Years**

(21) Appl. No.: **29/443,848**

(22) Filed: **Jan. 23, 2013**

(30) **Foreign Application Priority Data**

Jul. 27, 2012 (JP) ..... 2012-017900

(51) **LOC (10) Cl.** ..... **15-02**

(52) **U.S. Cl.**  
USPC ..... **D15/9**

(58) **Field of Classification Search**  
USPC ..... D15/7-9; D23/231, 232, 225; 417/60, 417/235, 265, 321, 355, 358, 363, 359, 417/410.1, 415-416, 405, 900, 43, 554; 60/408, 412; 184/26-37; 415/140-147; 123/495, 509; 166/105.1, 105.2, 311; 604/73; D24/109

See application file for complete search history.

(56) **References Cited**

**U.S. PATENT DOCUMENTS**

D470,864 S \* 2/2003 Shibukawa et al. .... D15/7  
D508,921 S \* 8/2005 Hsieh et al. .... D15/7

D543,217 S \* 5/2007 Puls ..... D15/7  
D574,018 S \* 7/2008 Yamamoto ..... D15/9  
D582,434 S \* 12/2008 Turgut ..... D15/7  
D604,332 S \* 11/2009 Tokunaga et al. .... D15/7  
D618,705 S \* 6/2010 Sadachika ..... D15/7  
D633,925 S \* 3/2011 Sadachika ..... D15/7  
D644,251 S \* 8/2011 Serita ..... D15/7

**FOREIGN PATENT DOCUMENTS**

JP A-58-176484 10/1983

\* cited by examiner

*Primary Examiner* — Ralf Seifert

(74) *Attorney, Agent, or Firm* — Oliff, PLC

(57) **CLAIM**

The ornamental design for a combined compressor and vacuum machine, as shown and described.

**DESCRIPTION**

FIG. 1 is a perspective view of a combined compressor and vacuum machine showing our new design; FIG. 2 is a perspective view thereof; FIG. 3 is a front view thereof; FIG. 4 is a left side view thereof; FIG. 5 is a top plan view thereof; FIG. 6 is a rear view thereof; and, FIG. 7 is a bottom view thereof.

A right side view is symmetrical to a left side view and is omitted.

The broken lines are included for the purpose of illustrating portions of the combined compressor and vacuum machine that form no part of the claimed design.

**1 Claim, 7 Drawing Sheets**

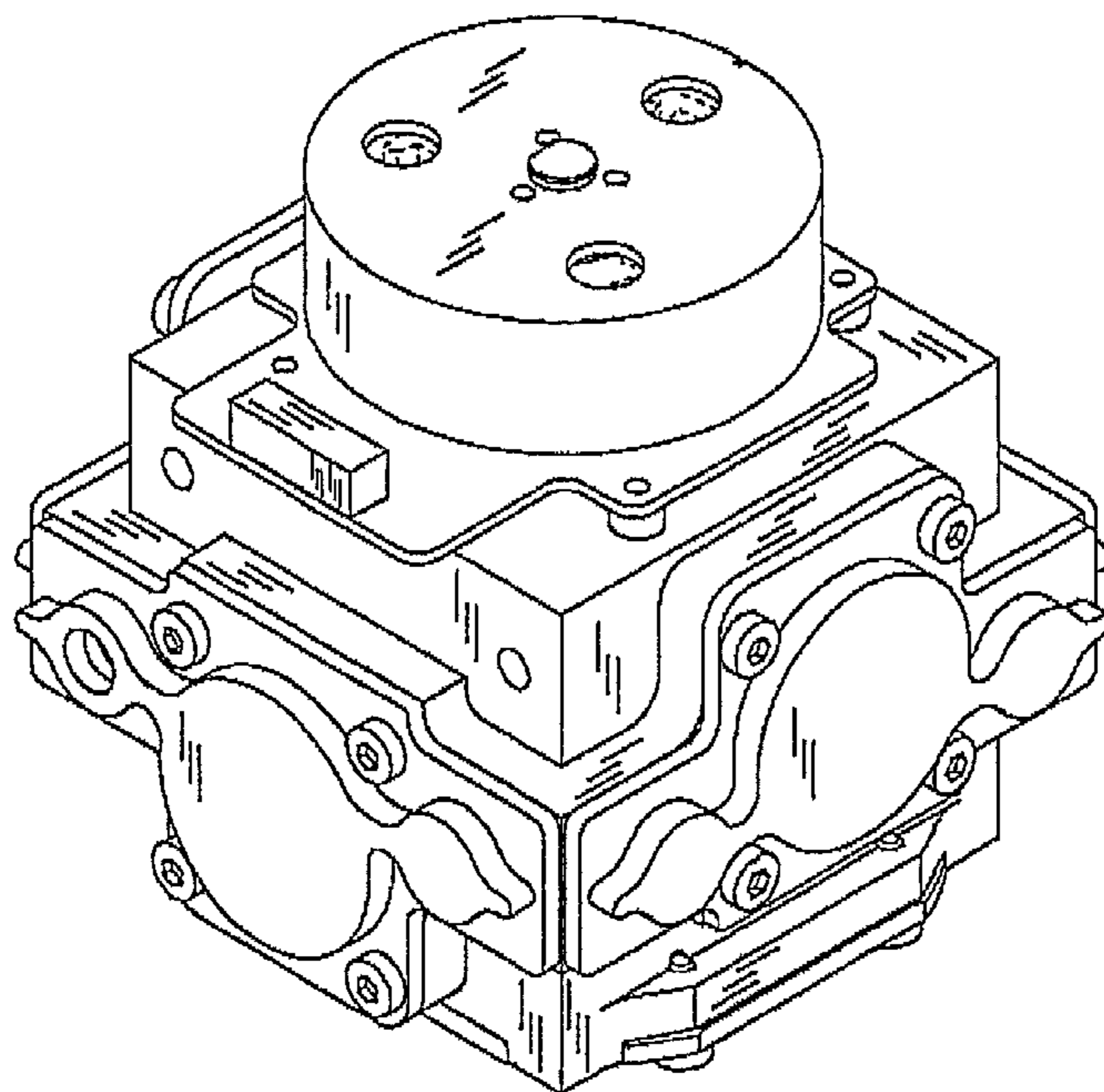


FIG. 1

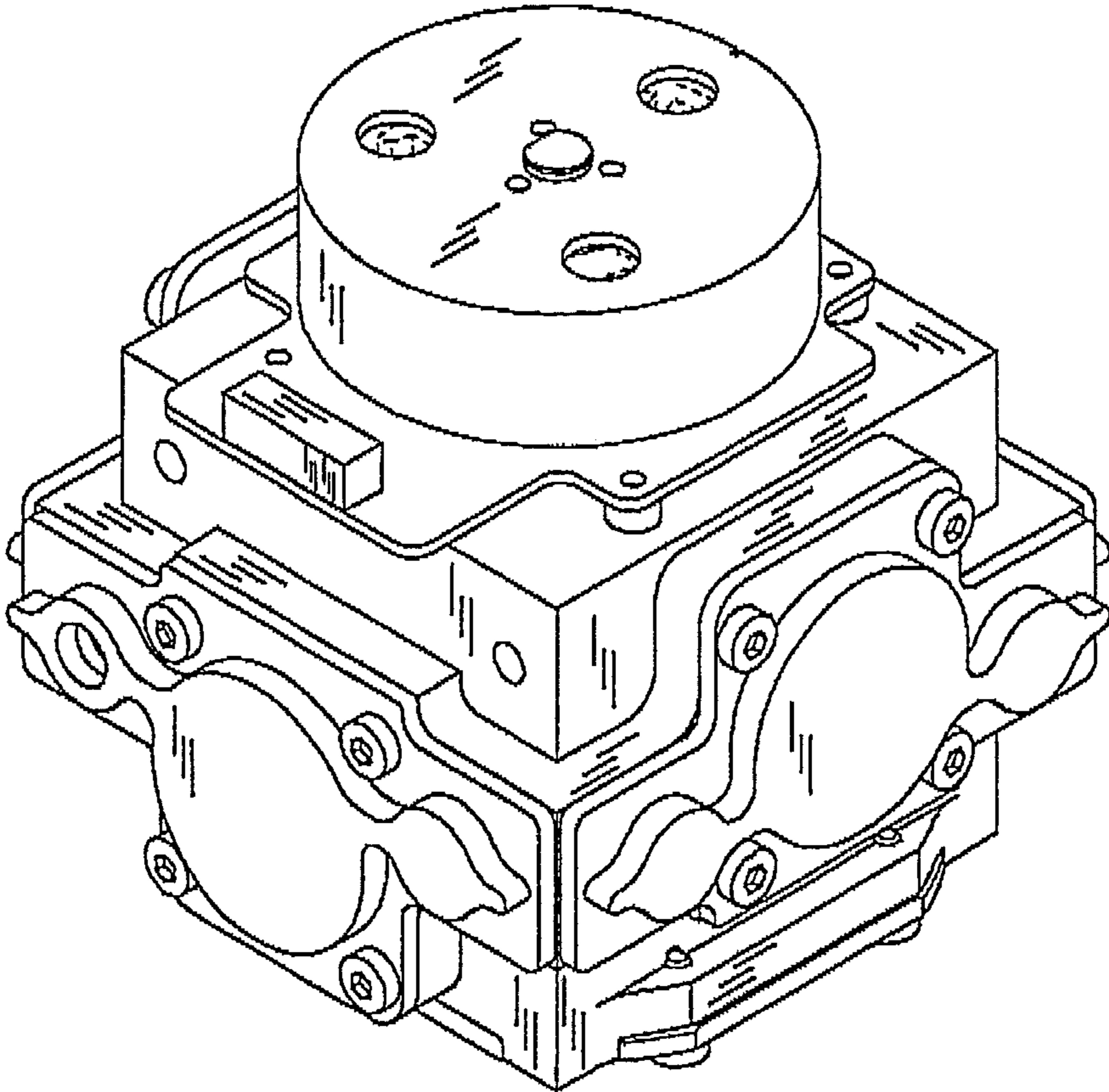


FIG. 2

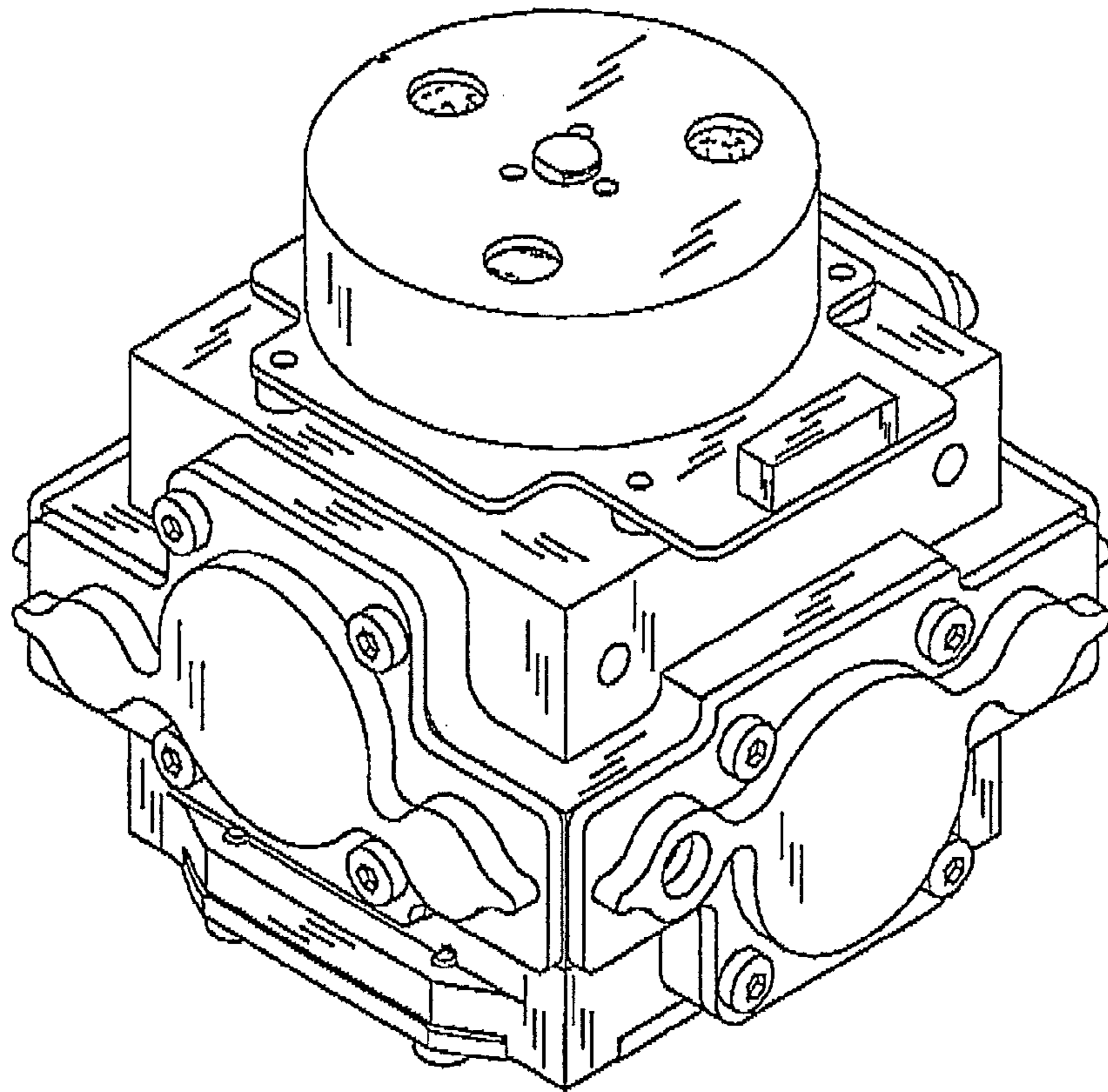


FIG. 3

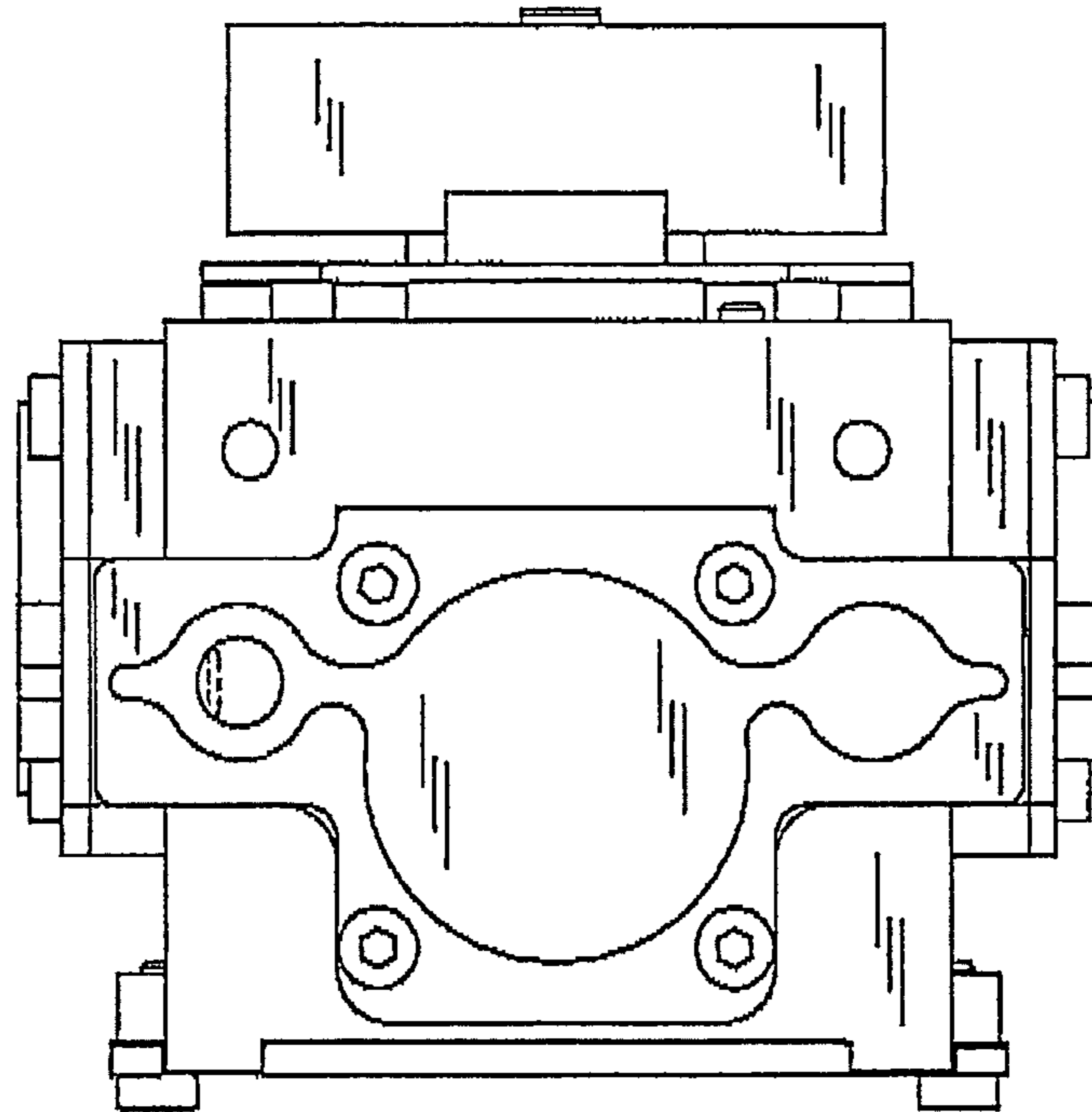


FIG. 4

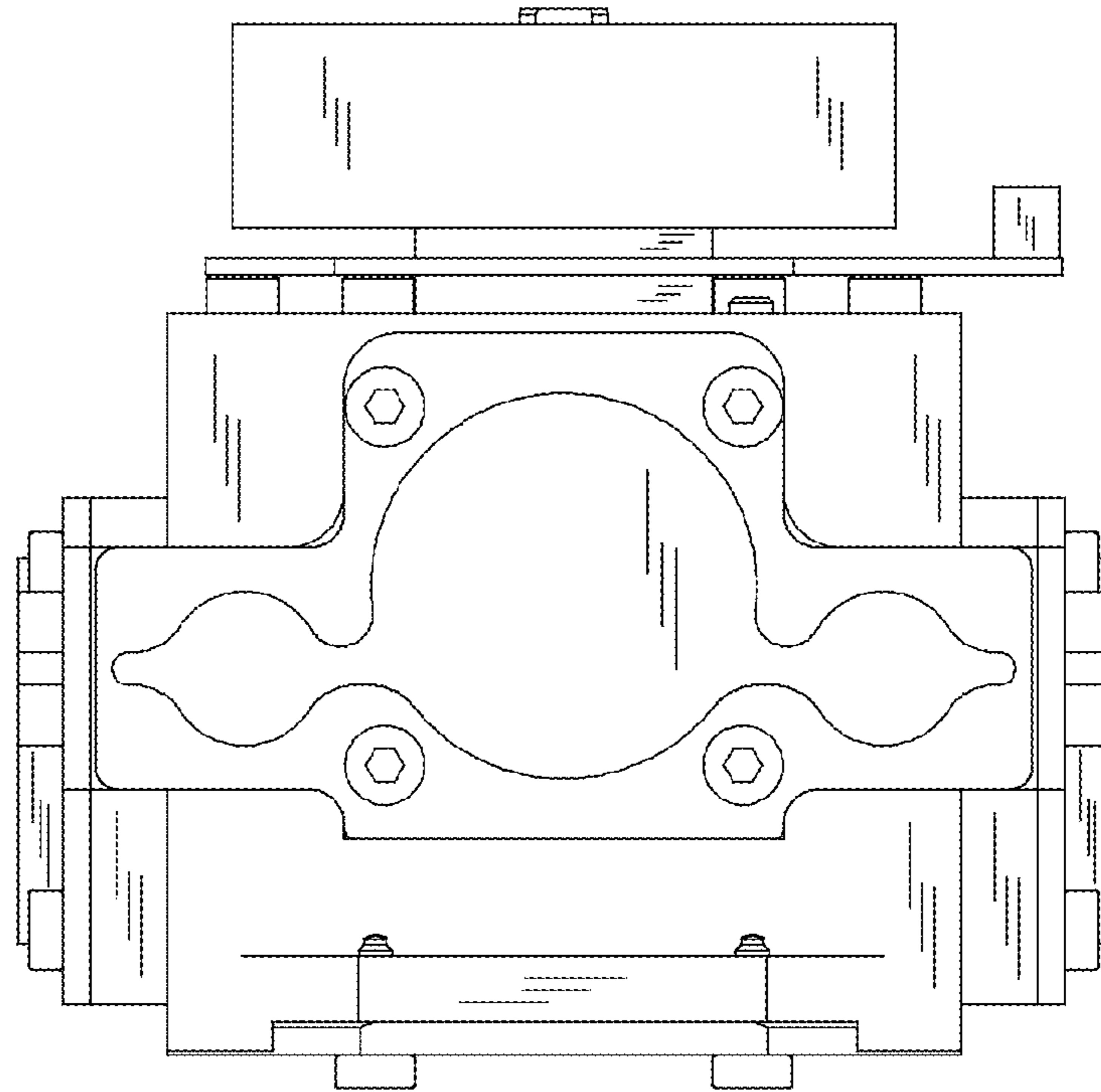


FIG. 5

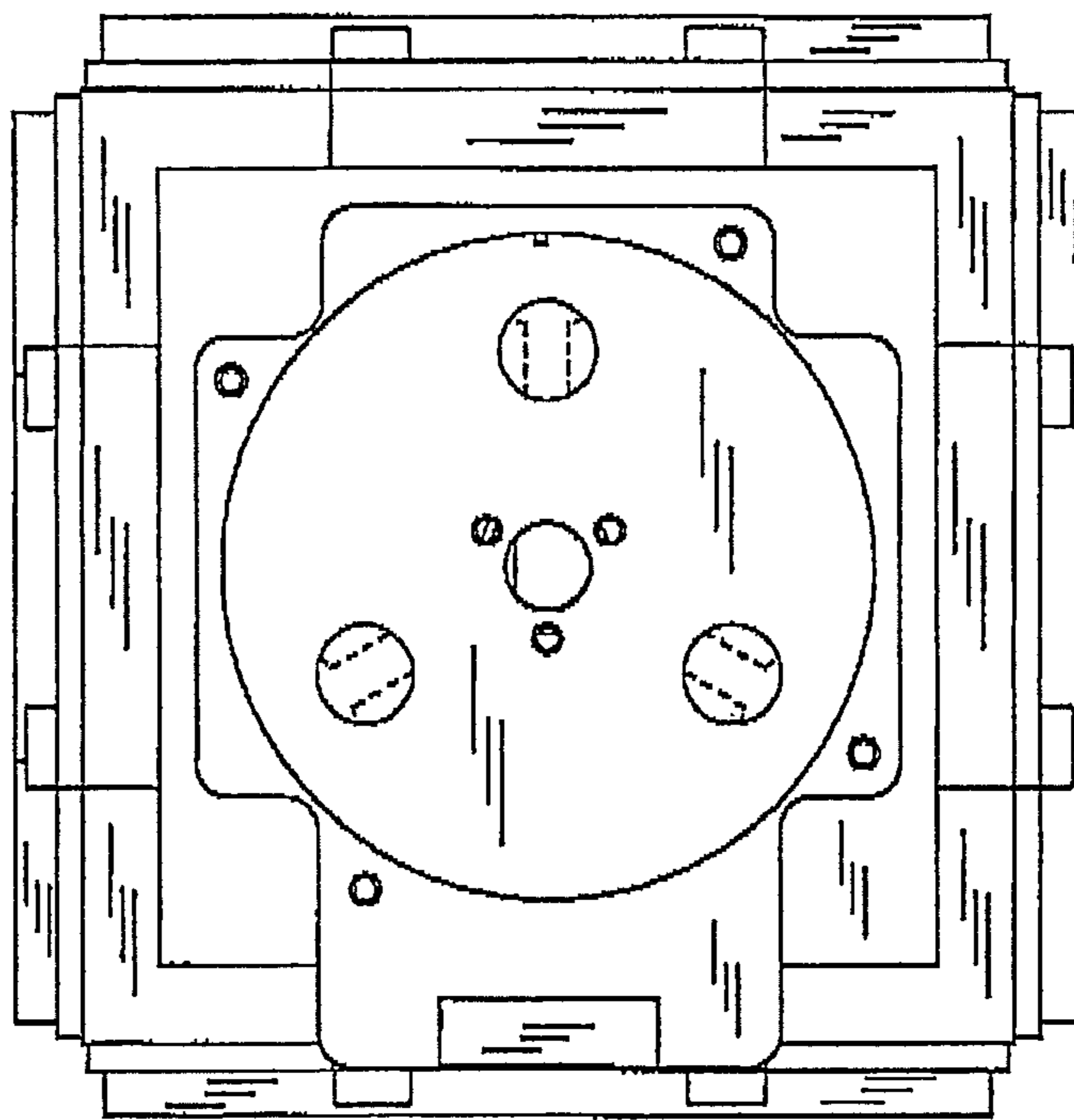


FIG. 6

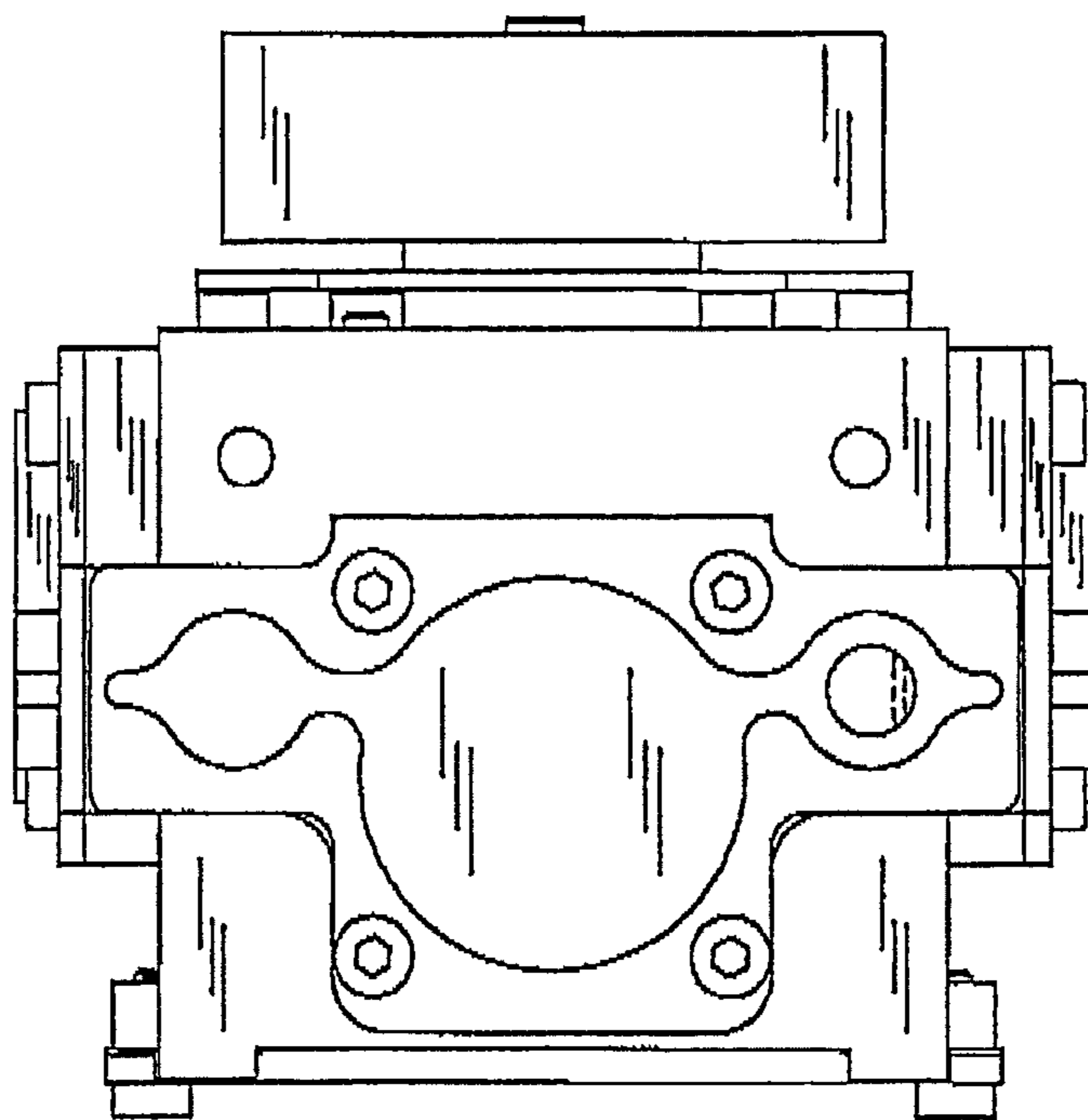


FIG. 7

