



US00D700215S

(12) **United States Design Patent**
Ueda

(10) **Patent No.:** **US D700,215 S**
(45) **Date of Patent:** **** Feb. 25, 2014**

(54) **COMBINED COMPRESSOR AND VACUUM MACHINE**

(71) Applicant: **Shinano Kenshi Co., Ltd.**, Ueda (JP)

(72) Inventor: **Kazuhiro Ueda**, Ueda (JP)

(73) Assignee: **Shinano Kenshi Co., Ltd.**, Ueda (JP)

(**) Term: **14 Years**

(21) Appl. No.: **29/443,844**

(22) Filed: **Jan. 23, 2013**

(30) **Foreign Application Priority Data**

Jul. 27, 2012 (JP) 2012-017899

(51) **LOC (10) Cl.** **15-02**

(52) **U.S. Cl.**
USPC **D15/9**

(58) **Field of Classification Search**
USPC D15/7-9; D23/231, 232, 225; 417/60,
417/235, 265, 321, 355, 358, 363, 359,
417/410.1, 415-416, 405, 900, 43, 554;
60/408, 412; 184/26-37; 415/140-147;
123/495, 509; 166/105.1, 105.2, 311;
604/73; D24/109

See application file for complete search history.

(56) **References Cited**

U.S. PATENT DOCUMENTS

D470,864 S * 2/2003 Shibukawa et al. D15/7
D508,921 S * 8/2005 Hsieh et al. D15/7

D543,217 S * 5/2007 Puls D15/7
D574,018 S * 7/2008 Yamamoto D15/9
D582,434 S * 12/2008 Turgut D15/7
D604,332 S * 11/2009 Tokunaga et al. D15/7
D618,705 S * 6/2010 Sadachika D15/7
D633,925 S * 3/2011 Sadachika D15/7
D644,251 S * 8/2011 Serita D15/7

FOREIGN PATENT DOCUMENTS

JP A-58-176484 10/1983

* cited by examiner

Primary Examiner — Ralf Seifert

(74) *Attorney, Agent, or Firm* — Oliff PLC

(57) **CLAIM**

The ornamental design for a combined compressor and vacuum machine, as shown and described.

DESCRIPTION

FIG. 1 is a perspective view of a combined compressor and vacuum machine showing our new design; FIG. 2 is a top plan view thereof; FIG. 3 is a front view thereof; FIG. 4 is a left side view thereof; FIG. 5 is a rear view thereof; and, FIG. 6 is a bottom view thereof.

A right side view is symmetrical to a left side view and is omitted.

The broken lines are included for the purpose of illustrating portions of the combined compressor and vacuum machine that form no part of the claimed design.

1 Claim, 6 Drawing Sheets

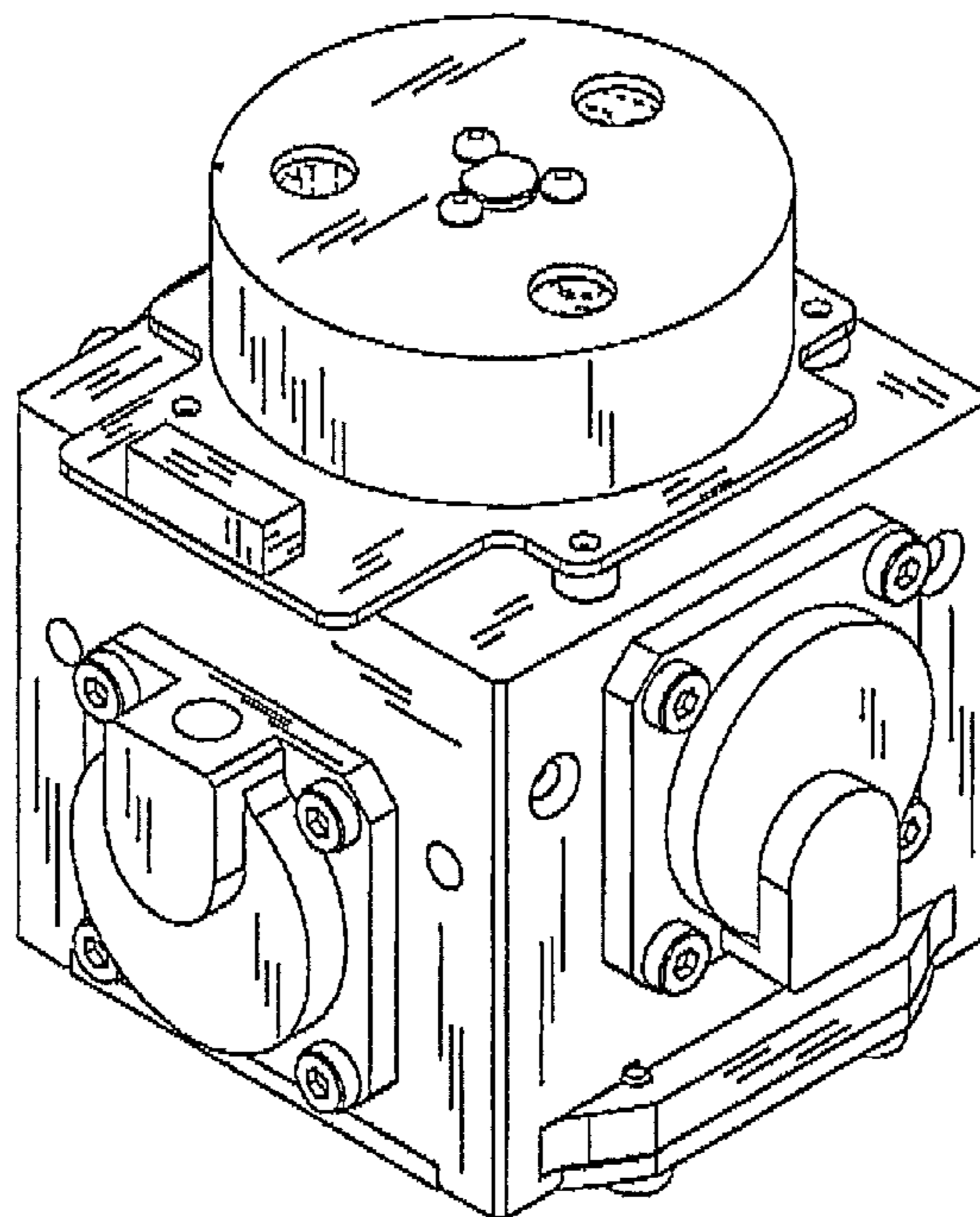


FIG. 1

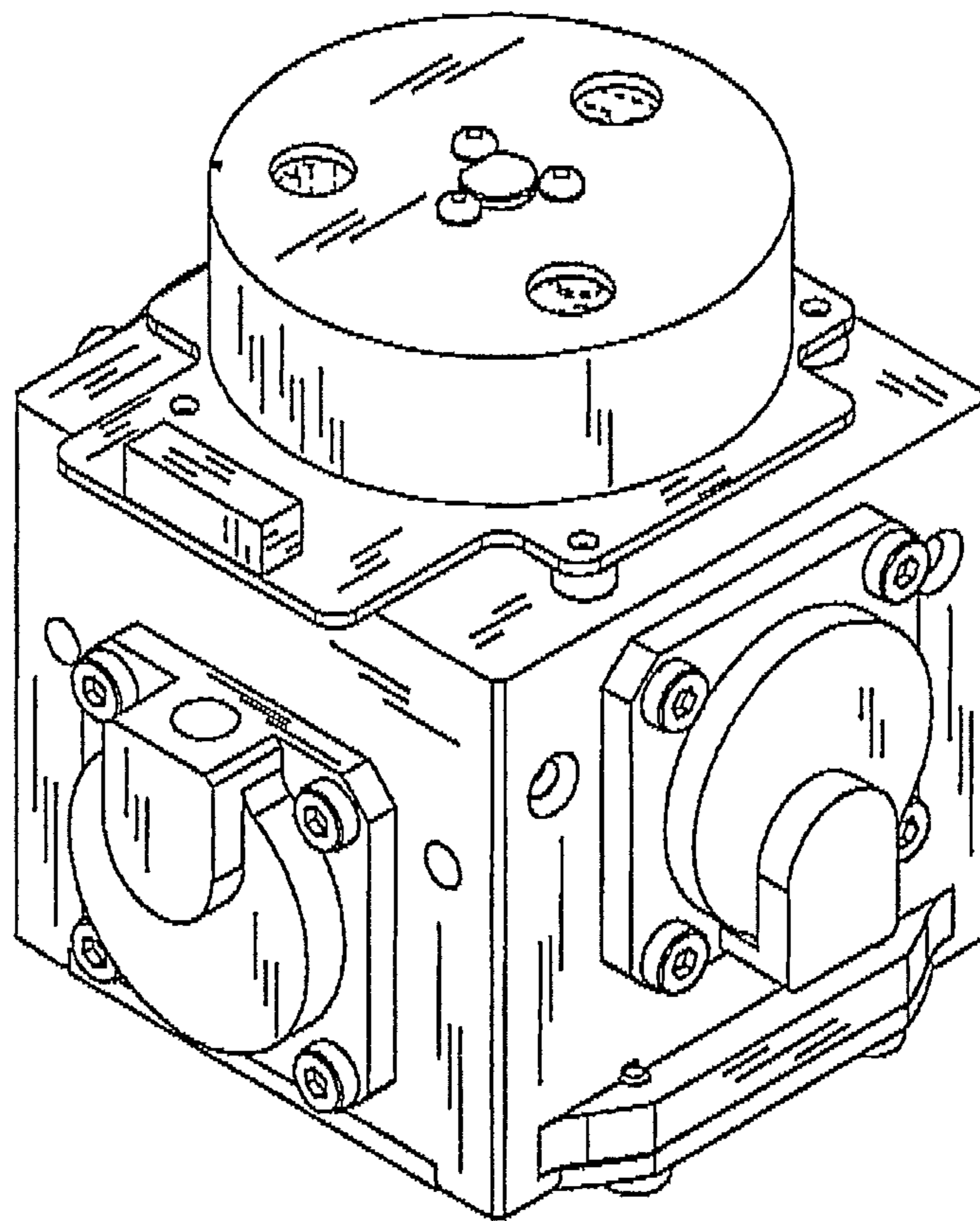


FIG. 2

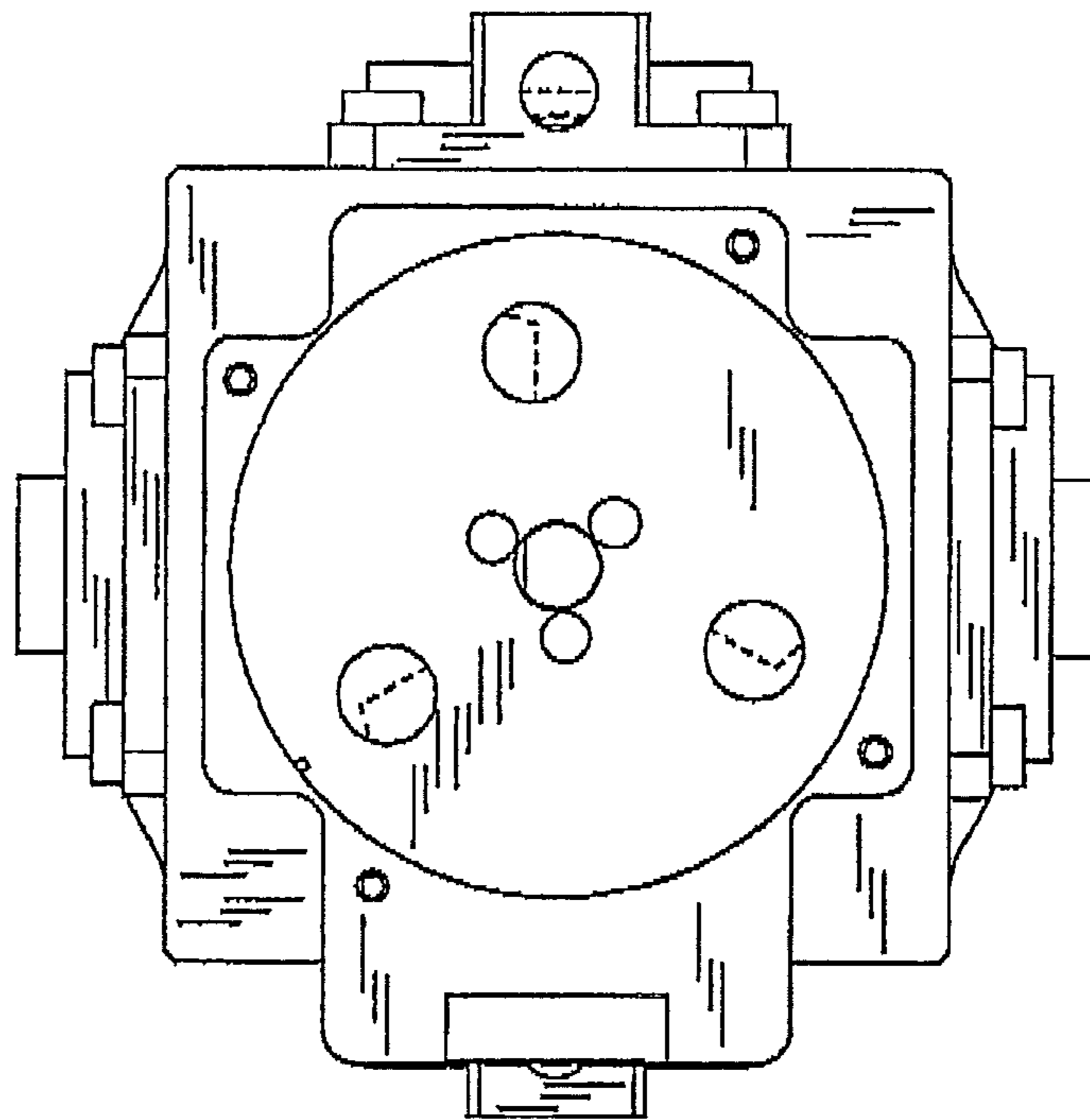


FIG. 3

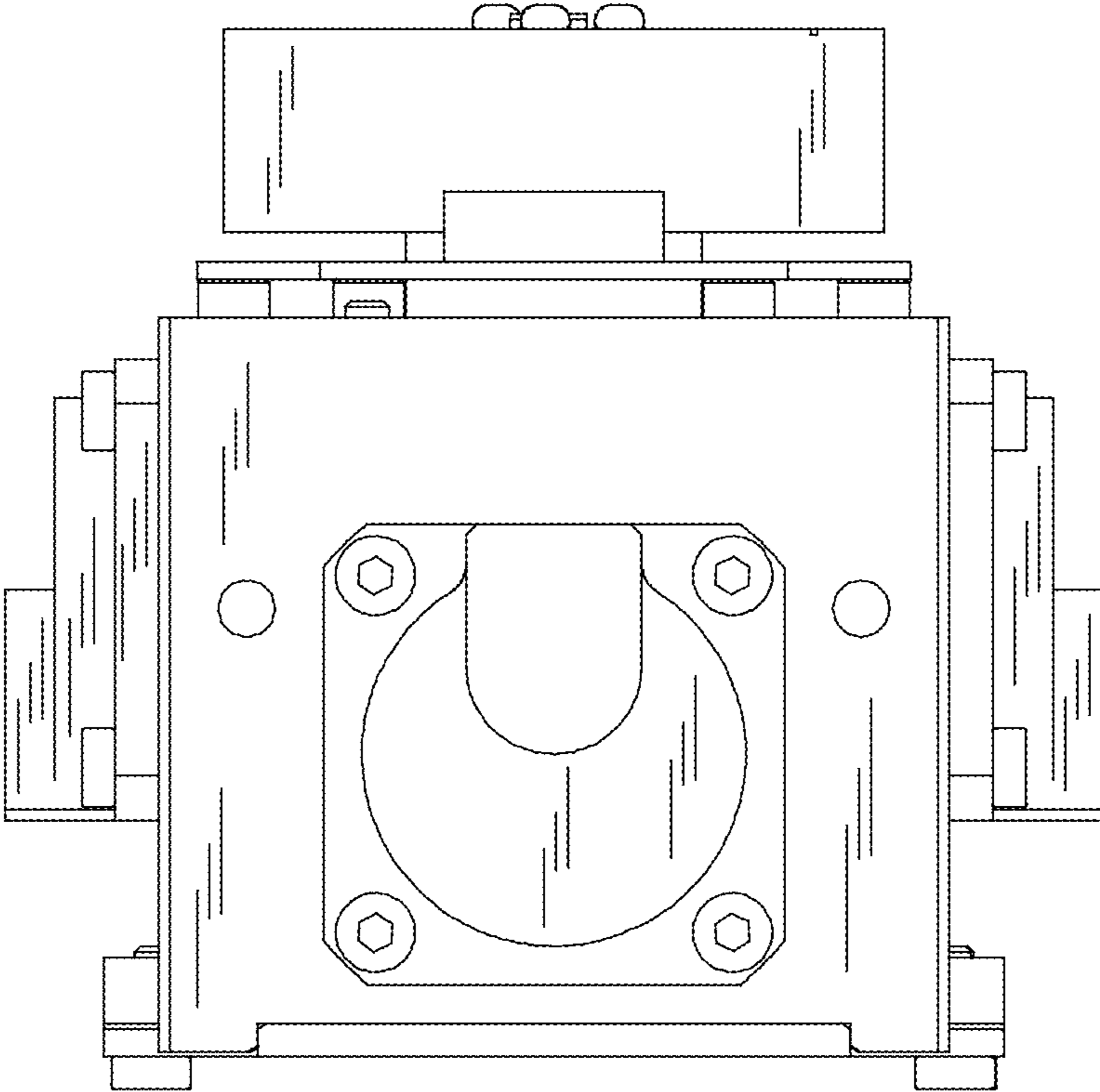


FIG. 4

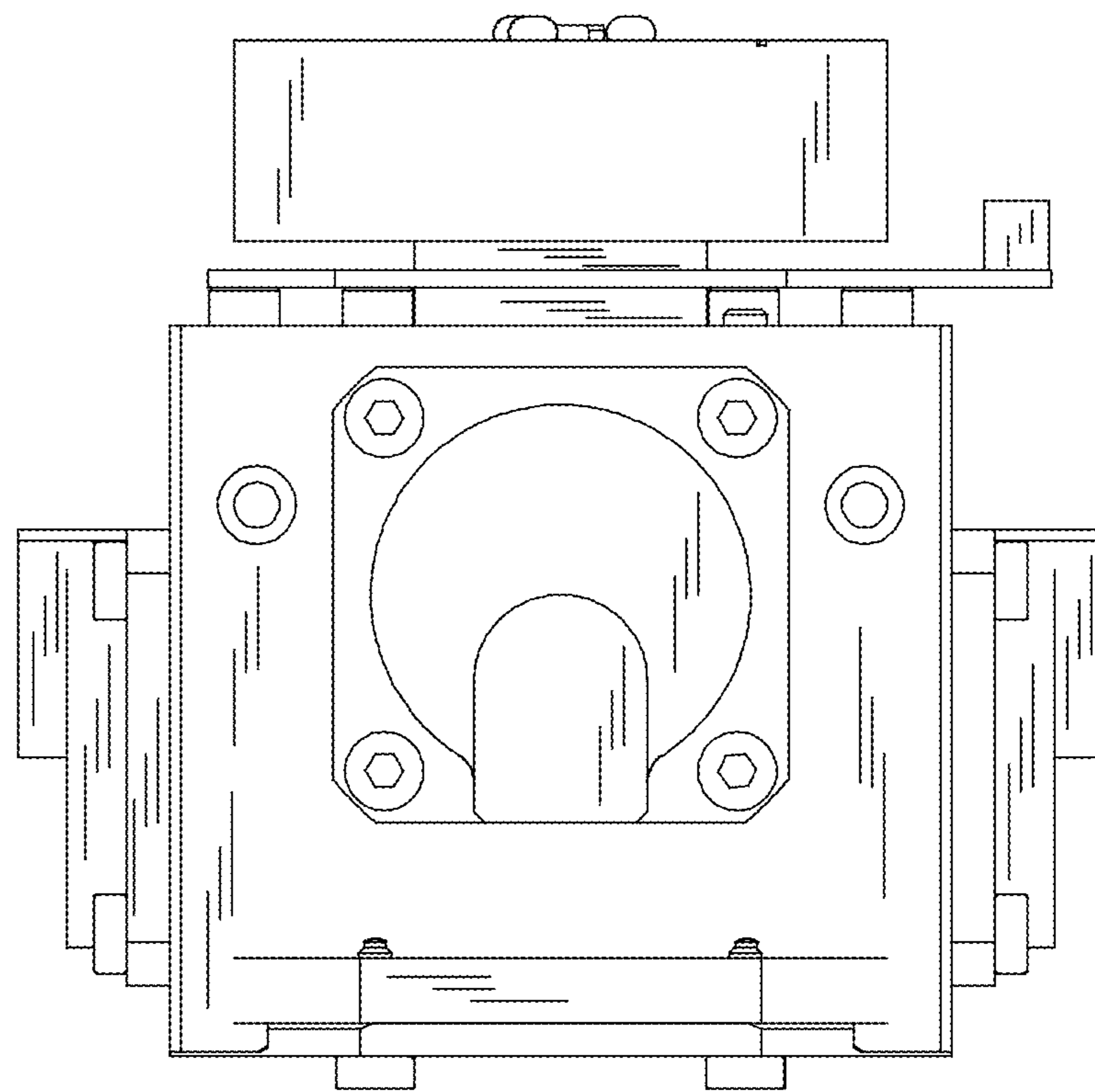


FIG. 5

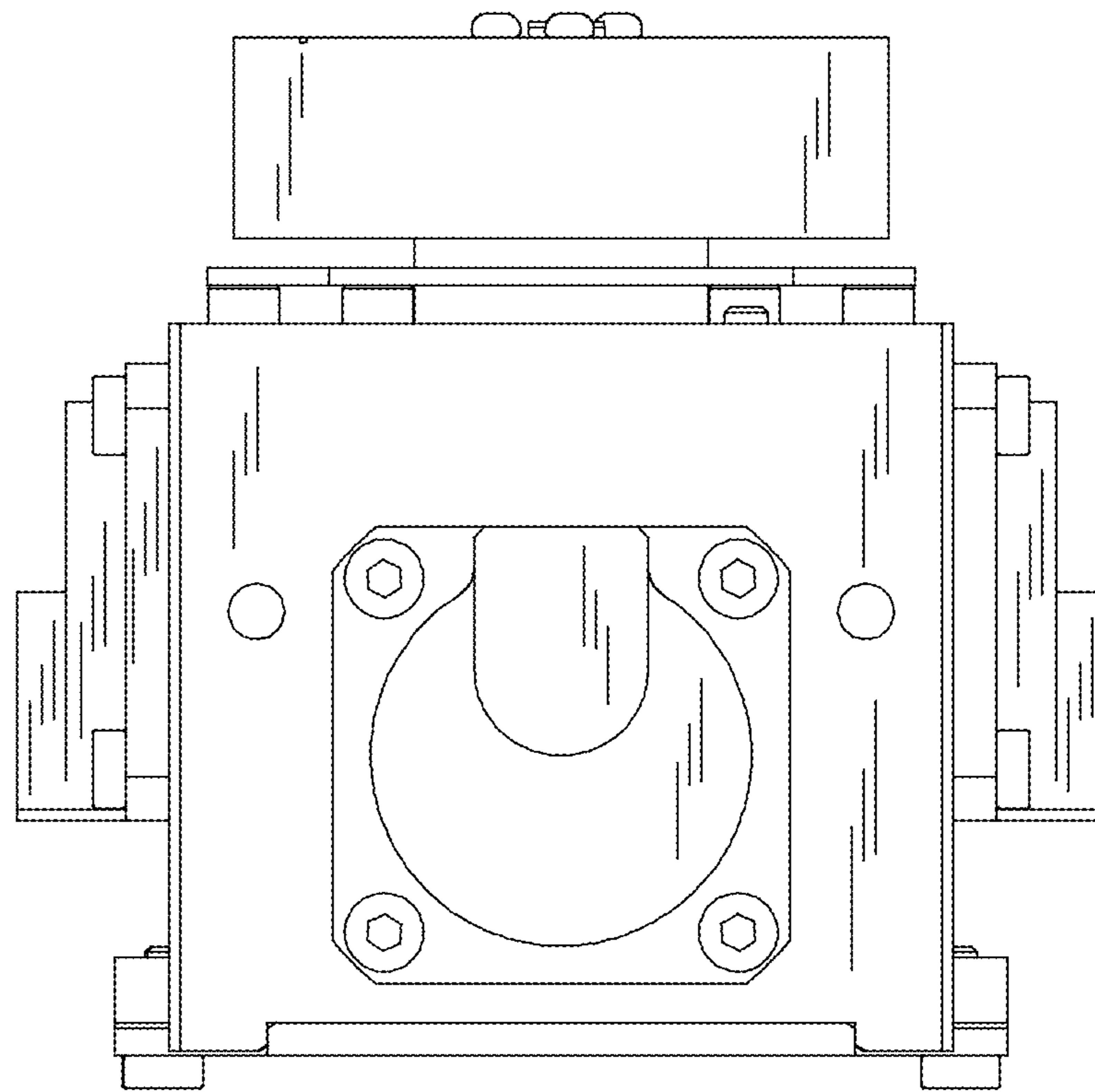


FIG. 6

