



US00D700213S

(12) **United States Design Patent**
Taniguchi et al.

(10) **Patent No.:** **US D700,213 S**

(45) **Date of Patent:** **** Feb. 25, 2014**

(54) **SUBMERSIBLE PUMP**

(56) **References Cited**

(71) Applicant: **Tsurumi Manufacturing Co., Ltd.**,
Osaka (JP)

U.S. PATENT DOCUMENTS

(72) Inventors: **Shogo Taniguchi**, Osaka (JP); **Yusuke Fujiwara**, Osaka (JP)

D237,011 S *	9/1975	Stroberg et al.	D15/7
D491,957 S *	6/2004	Fang	D15/7
D558,233 S *	12/2007	Itani	D15/7
D677,702 S *	3/2013	O'Shea	D15/7
D678,338 S *	3/2013	O'Shea	D15/7

(73) Assignee: **Tsurumi Manufacturing Co., Ltd.**,
Osaka (JP)

* cited by examiner

(**) Term: **14 Years**

Primary Examiner — Ralf Seifert

(21) Appl. No.: **29/447,006**

(74) *Attorney, Agent, or Firm* — Kubotera & Associates LLC

(22) Filed: **Feb. 28, 2013**

(57) **CLAIM**

The ornamental design for a submersible pump, as shown and described.

(30) **Foreign Application Priority Data**

DESCRIPTION

Nov. 16, 2012 (JP) 2012-028051

(51) **LOC (10) Cl.** **15-02**

(52) **U.S. Cl.**
USPC **D15/7**

(58) **Field of Classification Search**
USPC D15/7-9; D23/231, 232, 225; 417/60,
417/235, 265, 321, 355, 358, 363, 359,
417/410.1, 415-416, 405, 900; 60/408,
60/412; 184/26-37; 415/140-147;
123/495, 509; D24/111

FIG. 1 is a perspective view of a submersible pump showing our new design;

FIG. 2 is a front view thereof;

FIG. 3 is a rear view thereof;

FIG. 4 is a right side view thereof;

FIG. 5 is a left side view thereof;

FIG. 6 is a plan view thereof;

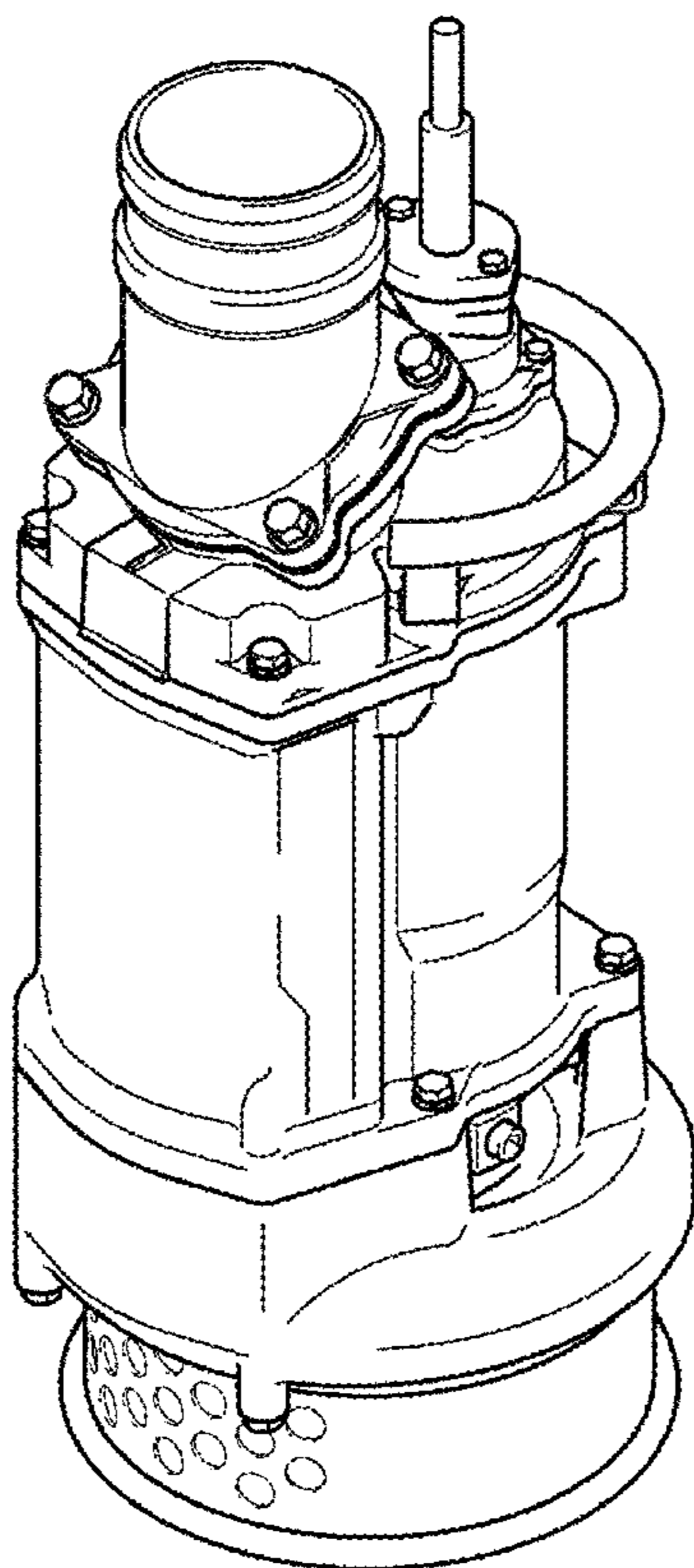
FIG. 7 is a bottom view thereof; and,

FIG. 8 is a sectional view thereof taken along a line 8-8 in FIG. 2.

The broken lines included in FIGS. 6 and 7 are for the purpose of illustrating portions of the submersible pump and form no part of the claimed design.

See application file for complete search history.

1 Claim, 7 Drawing Sheets



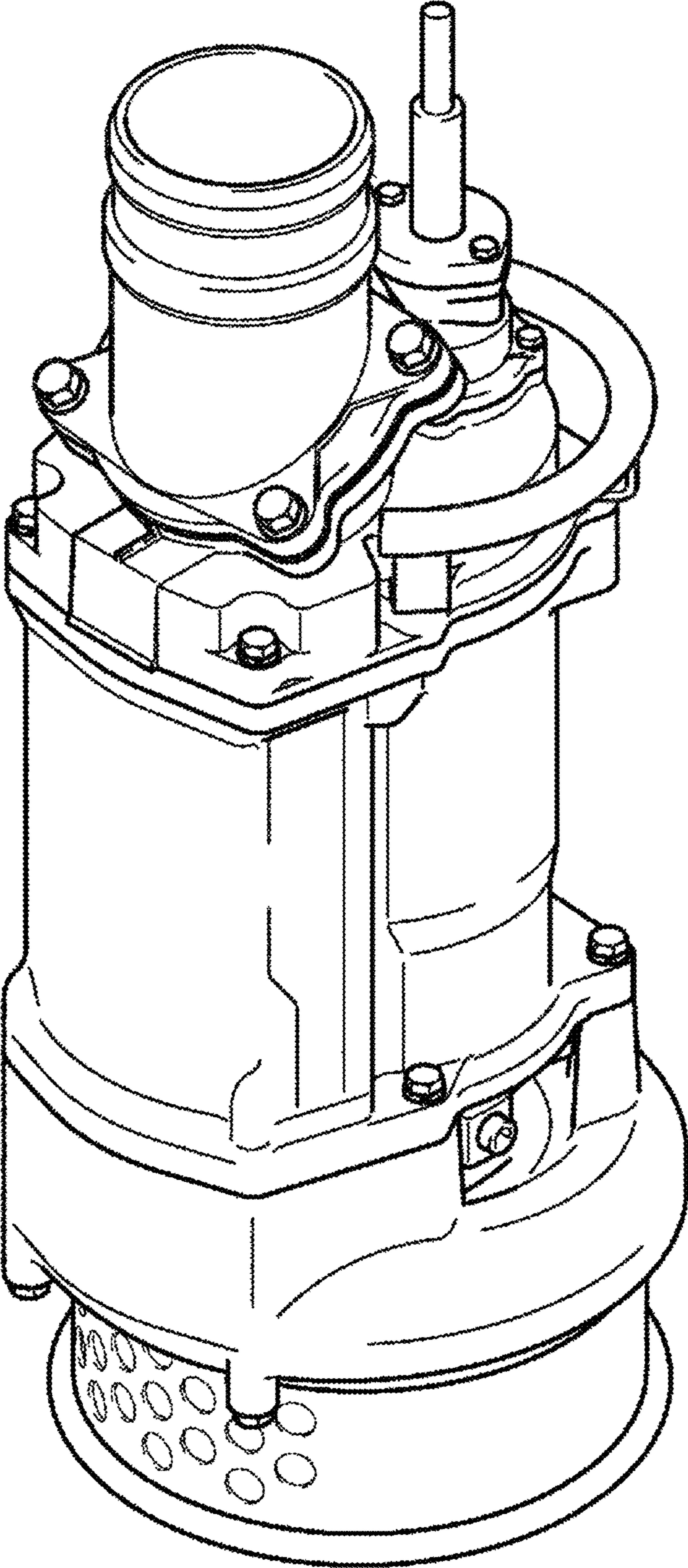


FIG. 1

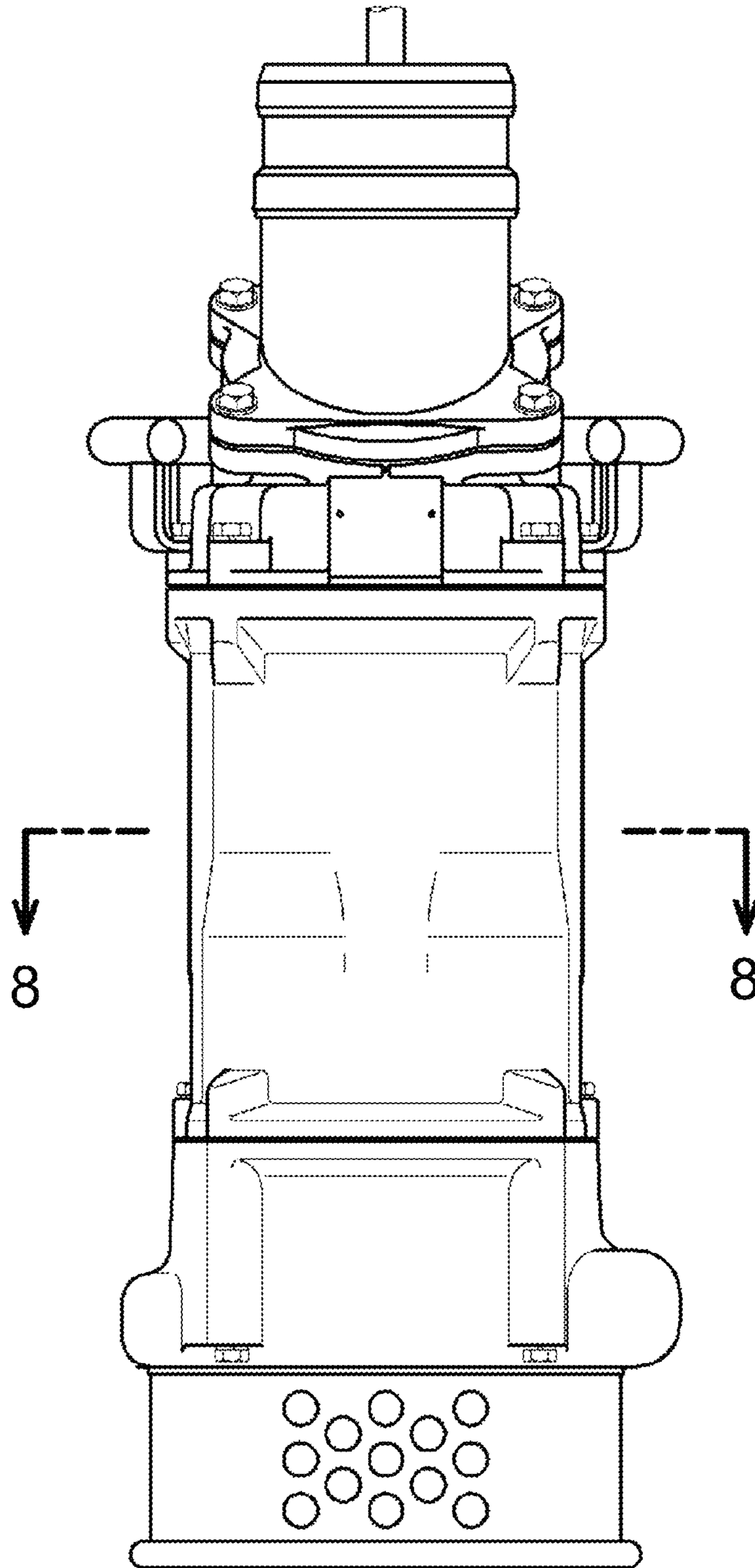


FIG. 2

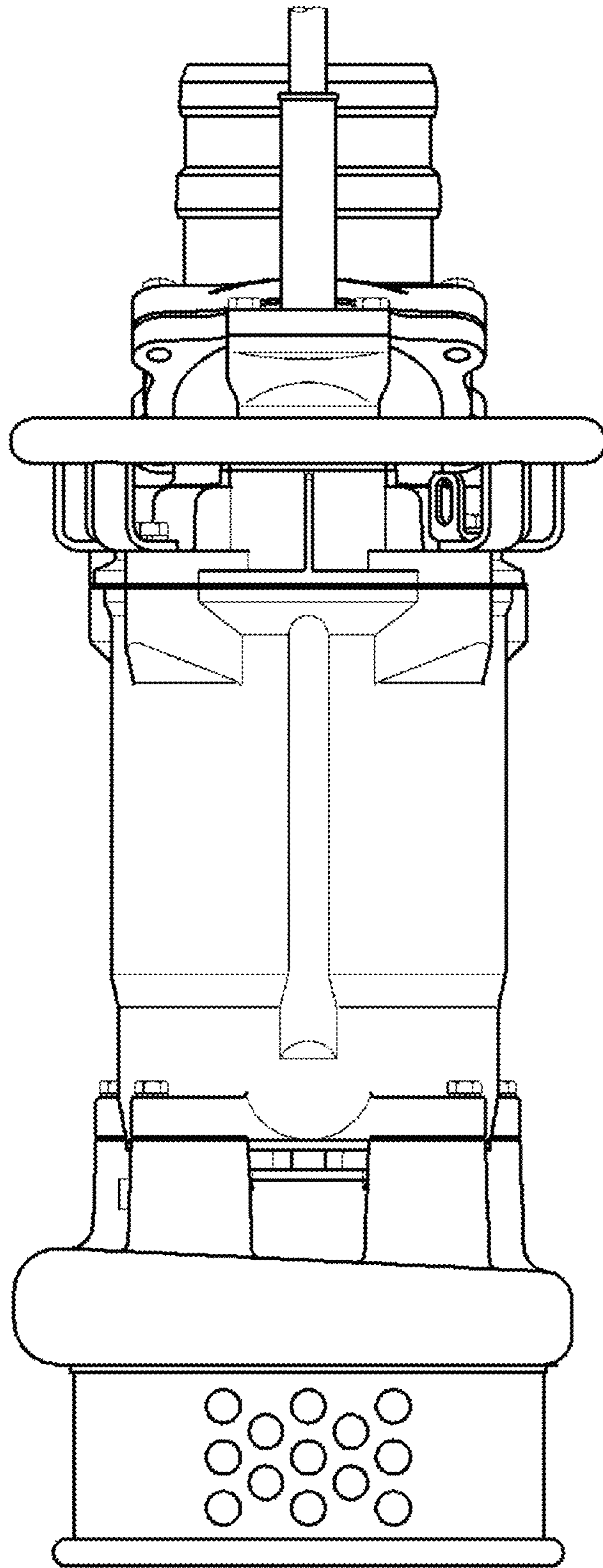


FIG. 3

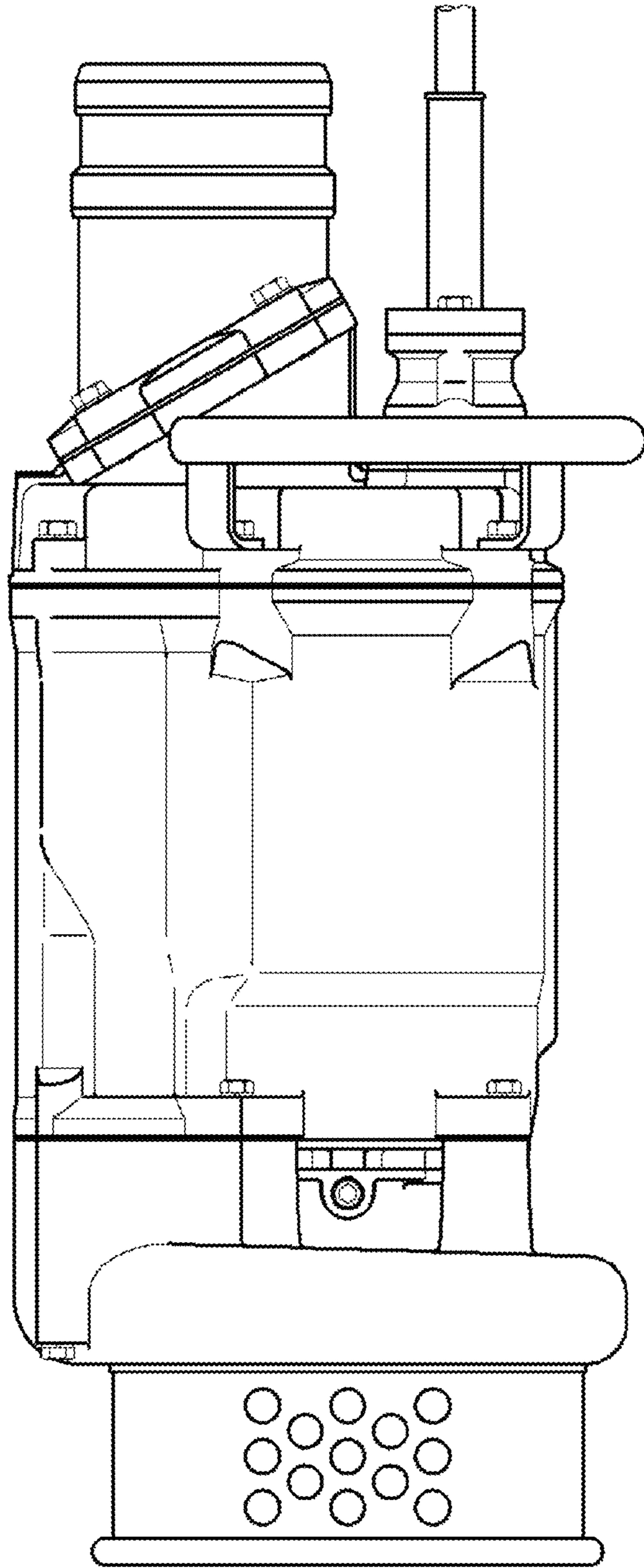


FIG. 4

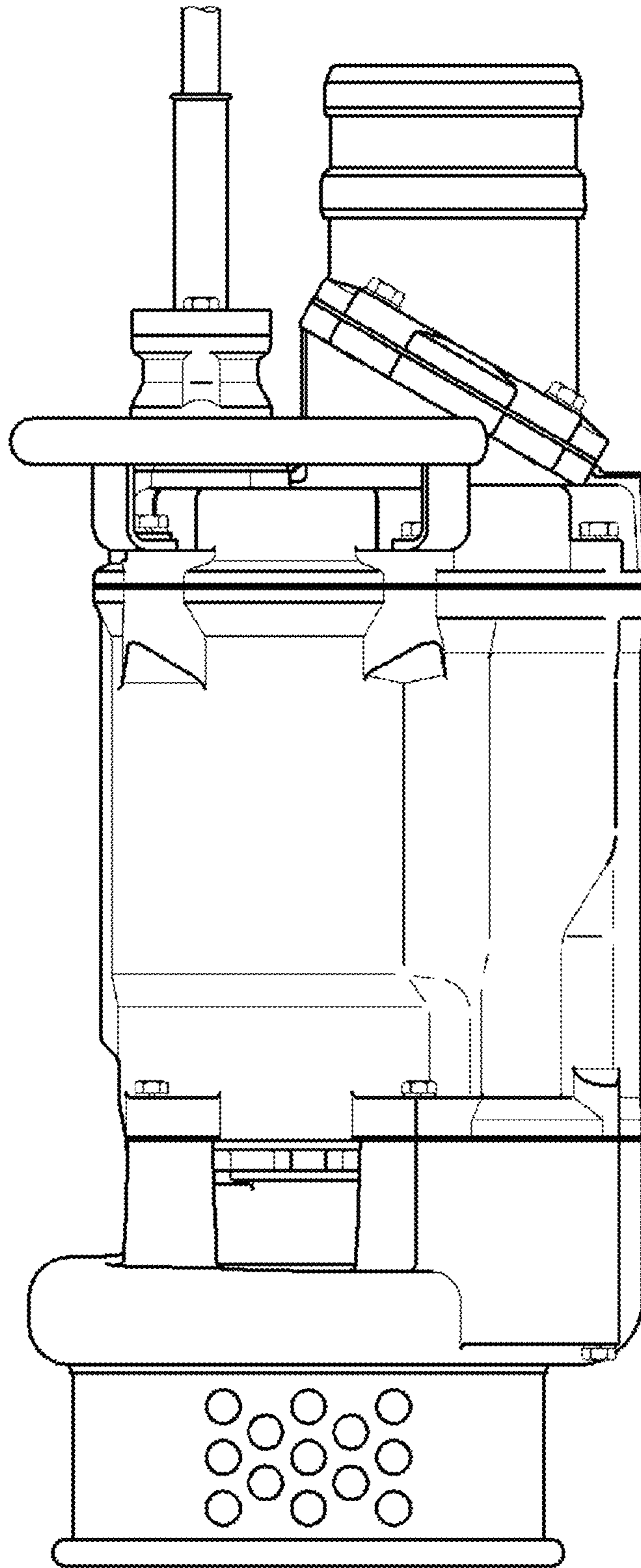


FIG. 5

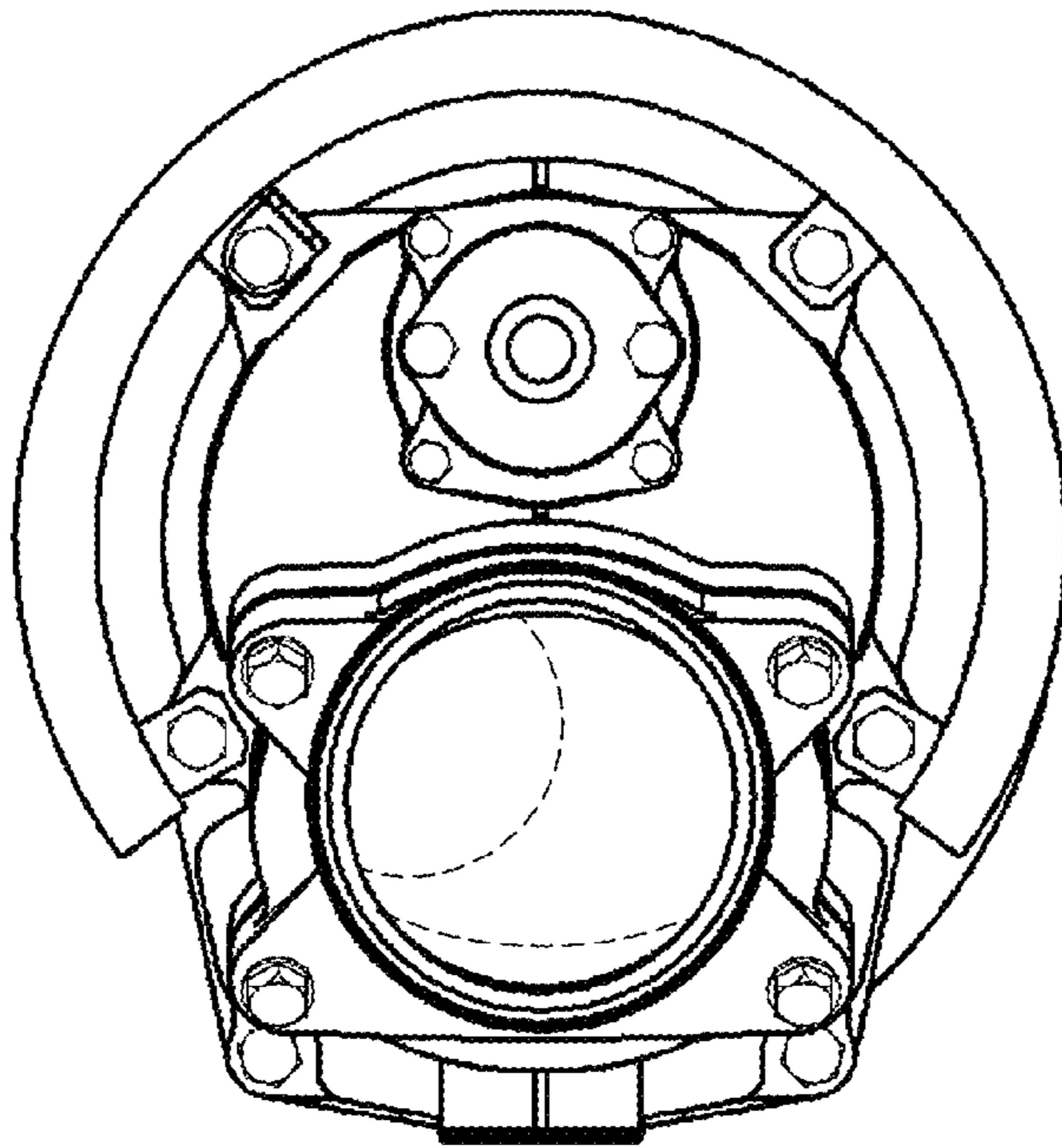


FIG. 6

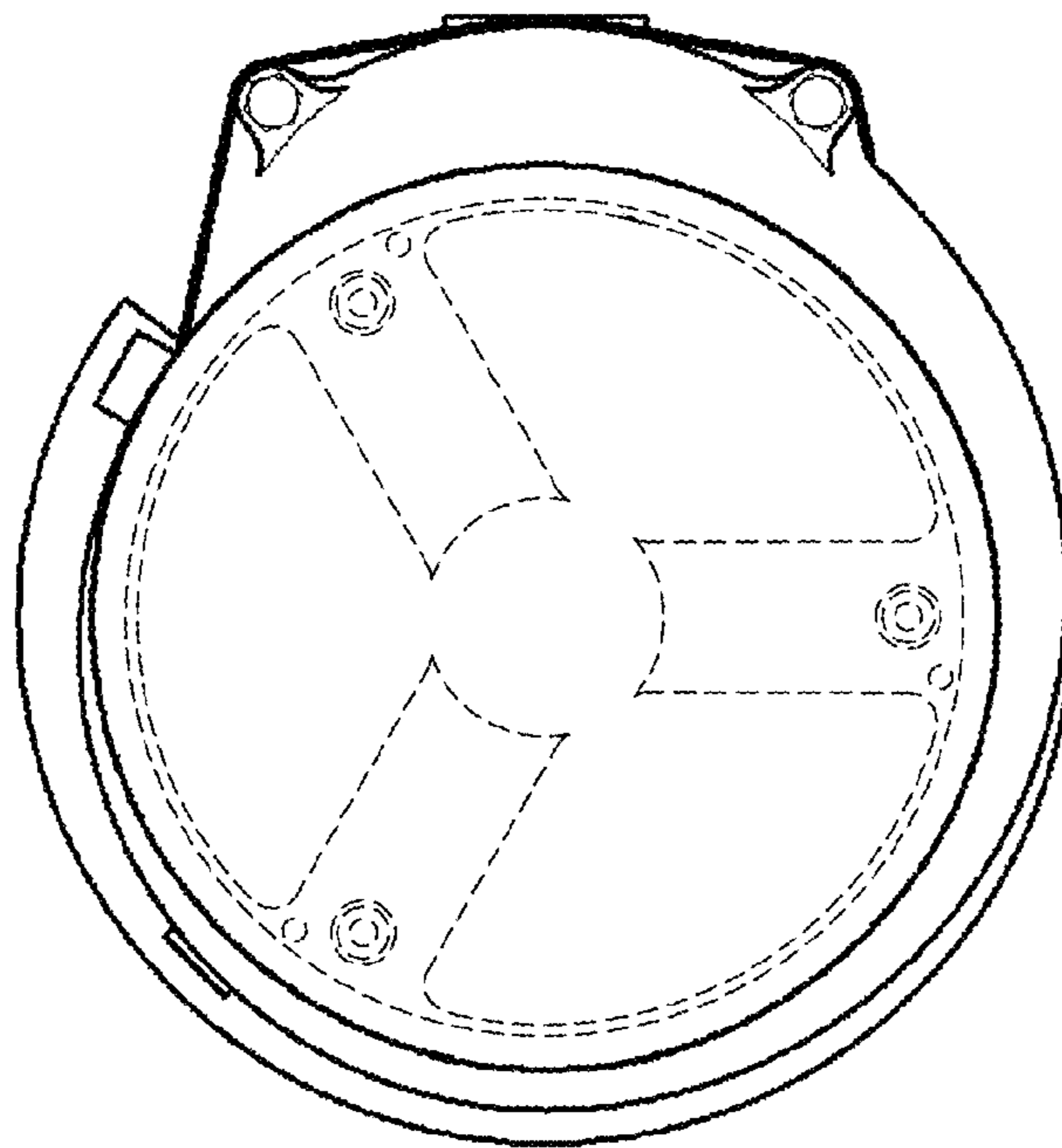


FIG. 7

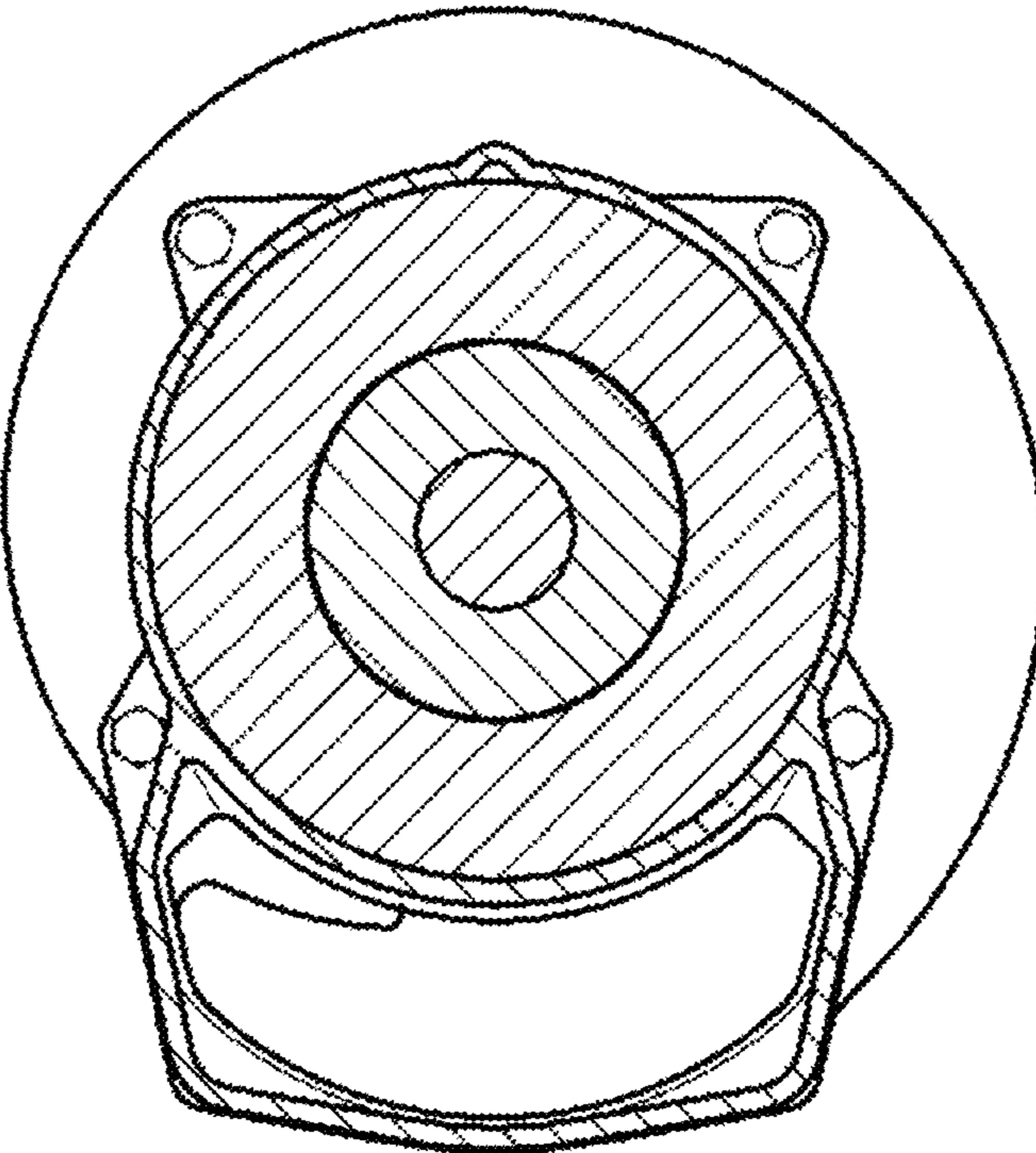


FIG. 8