



US00D700211S

(12) **United States Design Patent**
Alexander et al.

(10) **Patent No.:** **US D700,211 S**
(45) **Date of Patent:** **** Feb. 25, 2014**

(54) **PUMP**
(75) Inventors: **Gus Alexander**, Inverness, IL (US);
James E. Welch, Jr., Bentonville, AR
(US); **Wang Xu Dong**, Shenyang (CN)
(73) Assignee: **FNA IP Holdings, Inc.**, Elk Grove
Village, IL (US)
(**) Term: **14 Years**
(21) Appl. No.: **29/429,403**
(22) Filed: **Aug. 10, 2012**
(51) **LOC (10) Cl.** **15-02**
(52) **U.S. Cl.**
USPC **D15/7**
(58) **Field of Classification Search**
USPC D15/7-9; D23/231, 232, 225; 417/60,
417/235, 265, 321, 355, 358, 363, 359,
417/410.1, 415-416, 405, 900; 60/408,
60/412; 184/26-37; 415/140-147;
123/495, 509
See application file for complete search history.

D633,101 S * 2/2011 Magri D15/7
D633,102 S * 2/2011 Magri D15/7
D633,103 S * 2/2011 Magri D15/7
D633,104 S * 2/2011 Magri D15/7
D633,105 S * 2/2011 Magri D15/7
D633,406 S * 3/2011 Magri D15/7
D642,594 S 8/2011 Mattson et al.
D644,252 S 8/2011 Kojima
D648,353 S 11/2011 Mattson et al.
D652,844 S 1/2012 Hanitsch et al.
D654,095 S 2/2012 Mattson et al.
D656,962 S 4/2012 Boldsen
D670,312 S * 11/2012 Alexander et al. D15/7

* cited by examiner

Primary Examiner — Ralf Seifert

(74) *Attorney, Agent, or Firm* — Steven E. Jedlinski;
Holland & Knight LLP

(57) **CLAIM**

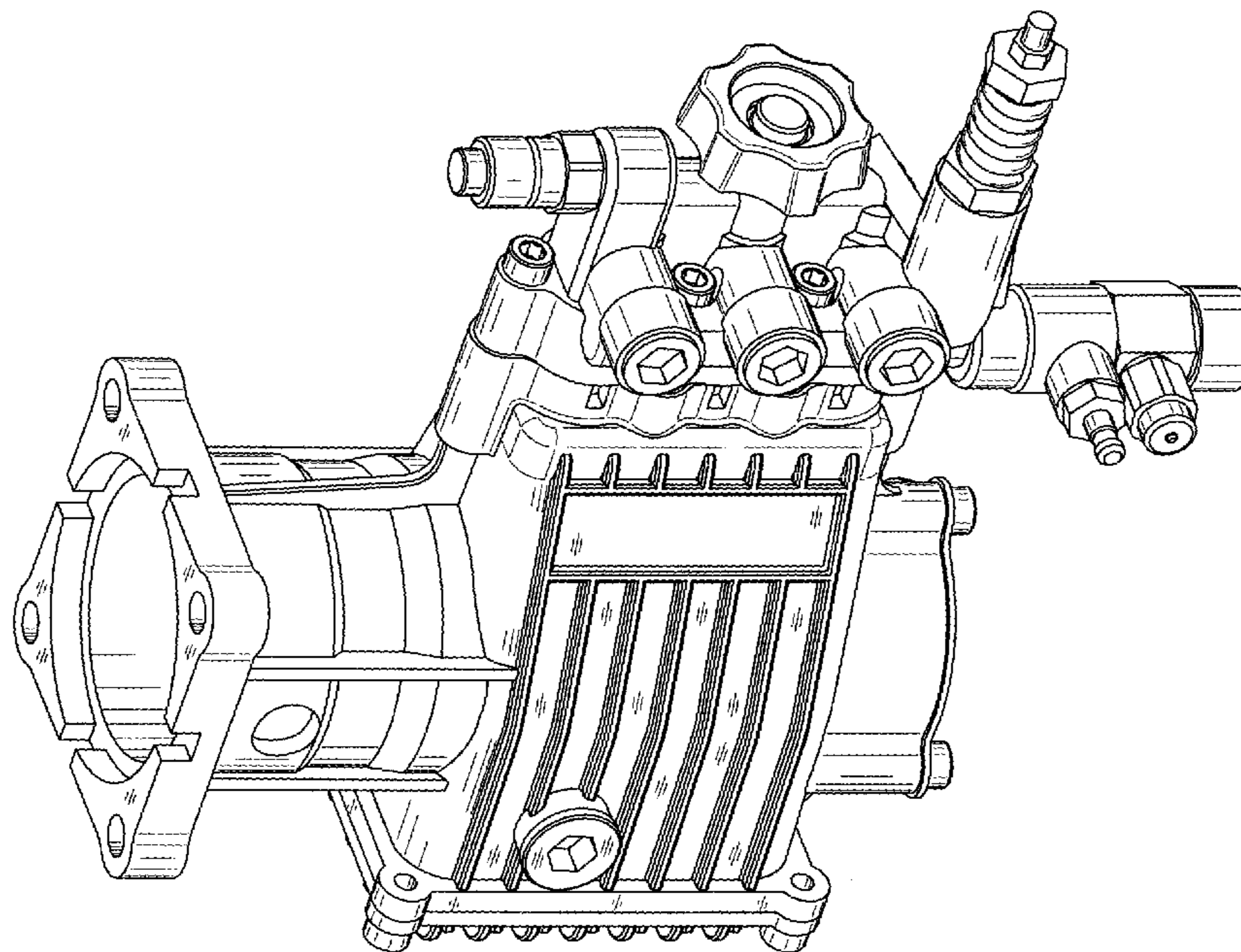
The ornamental design for a pump, as shown and described.

DESCRIPTION

FIG. 1 is a perspective view of a pump as viewed from the front left side;
FIG. 2 is a perspective view of a pump as viewed from the rear right side;
FIG. 3 is a front elevation view thereof;
FIG. 4 is a rear elevation view thereof;
FIG. 5 is a right side elevation view thereof;
FIG. 6 is a left side elevation view thereof;
FIG. 7 is a top plan view thereof; and,
FIG. 8 is a bottom plan view thereof.
The broken lines are included for the purpose of illustrating portions of the pump that form no part of the claimed design.

1 Claim, 7 Drawing Sheets

(56) **References Cited**
U.S. PATENT DOCUMENTS
5,494,414 A 2/1996 Steinhart et al.
D538,824 S * 3/2007 Tojo D15/7
D538,826 S * 3/2007 Kienzle D15/9
D553,157 S 10/2007 Busschaert
D589,983 S * 4/2009 Sinico D15/7
D591,311 S * 4/2009 Tojo D15/7
D616,467 S * 5/2010 Reverberi et al. D15/5
D617,814 S 6/2010 Dreifert



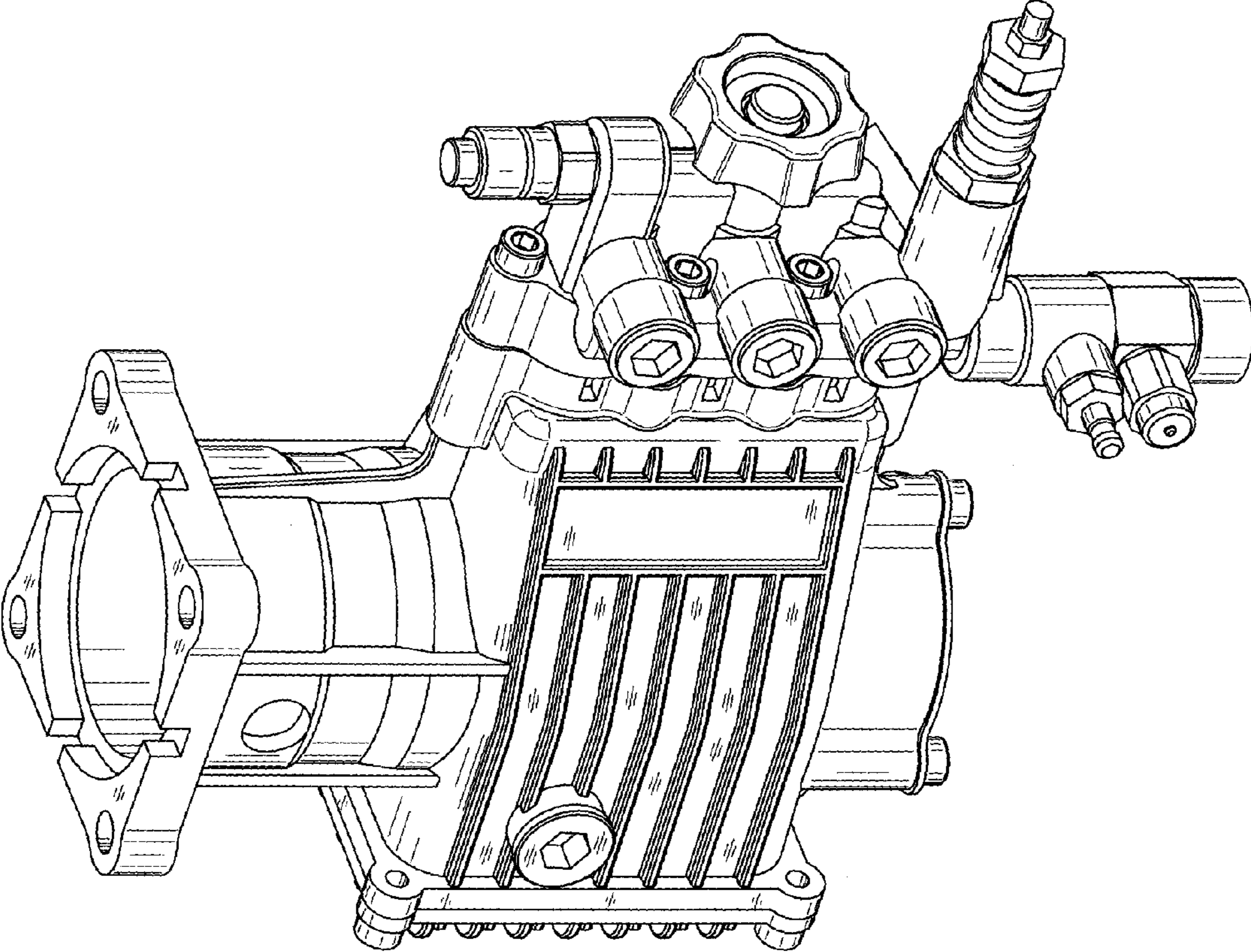


FIG. 1

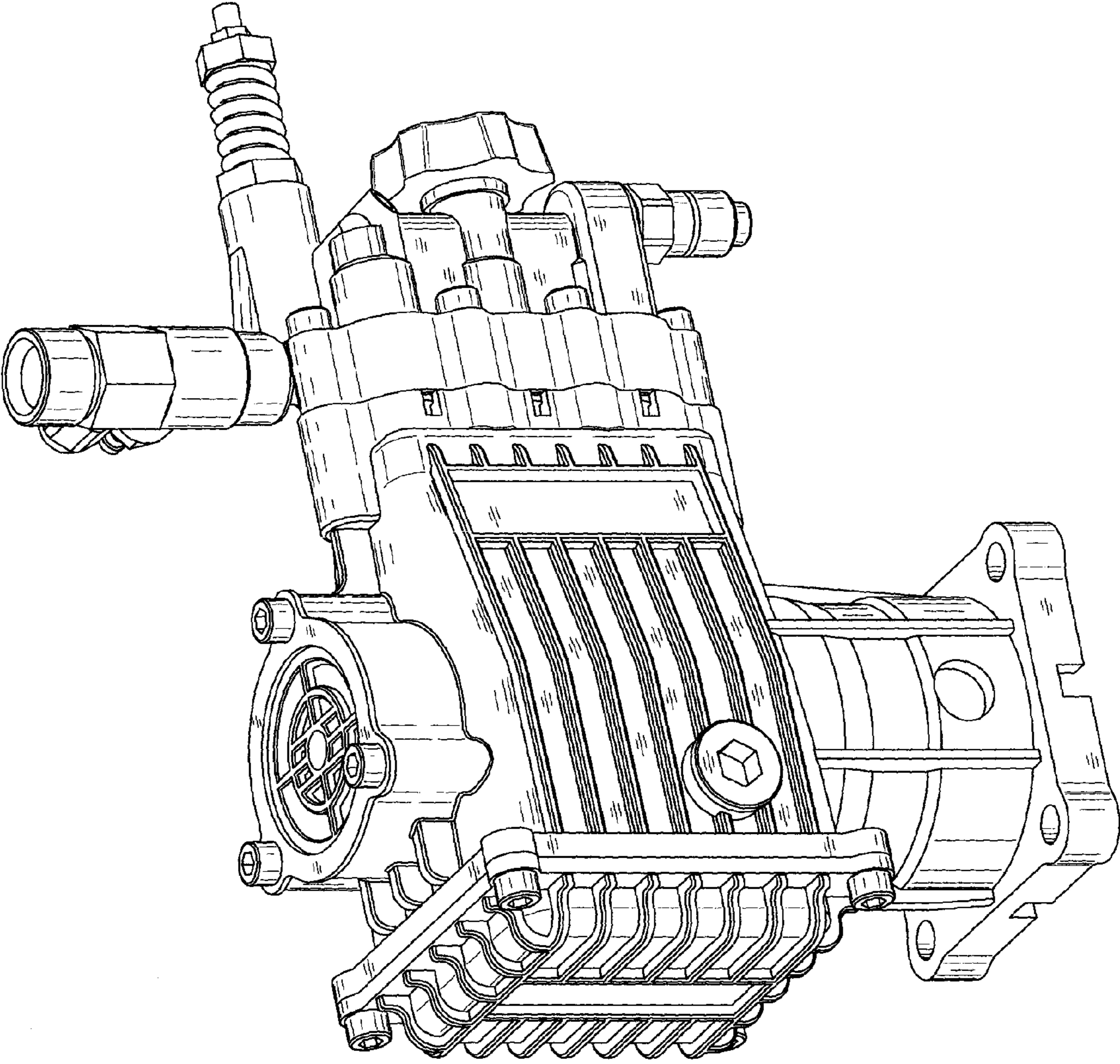


FIG. 2

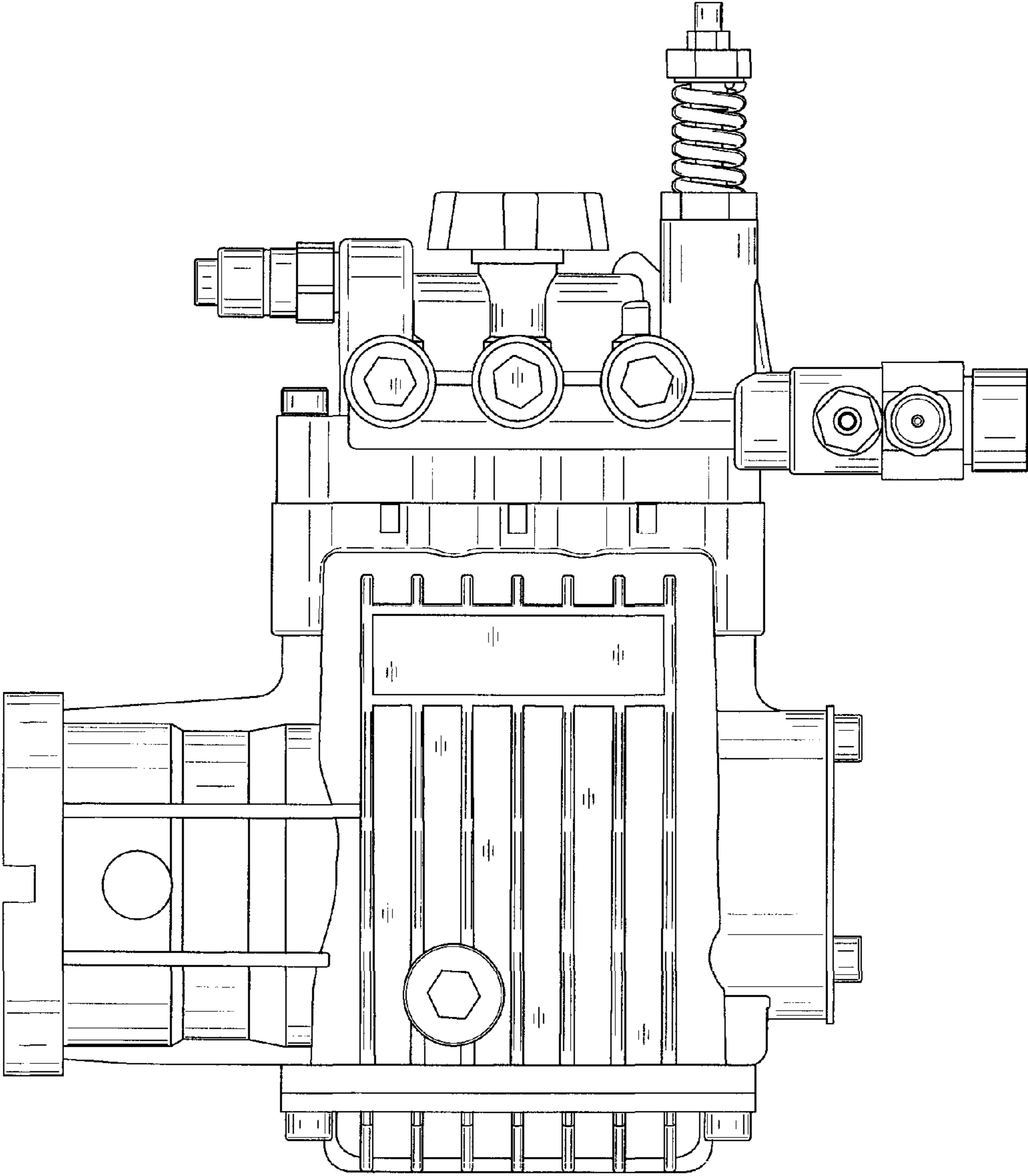


FIG. 3

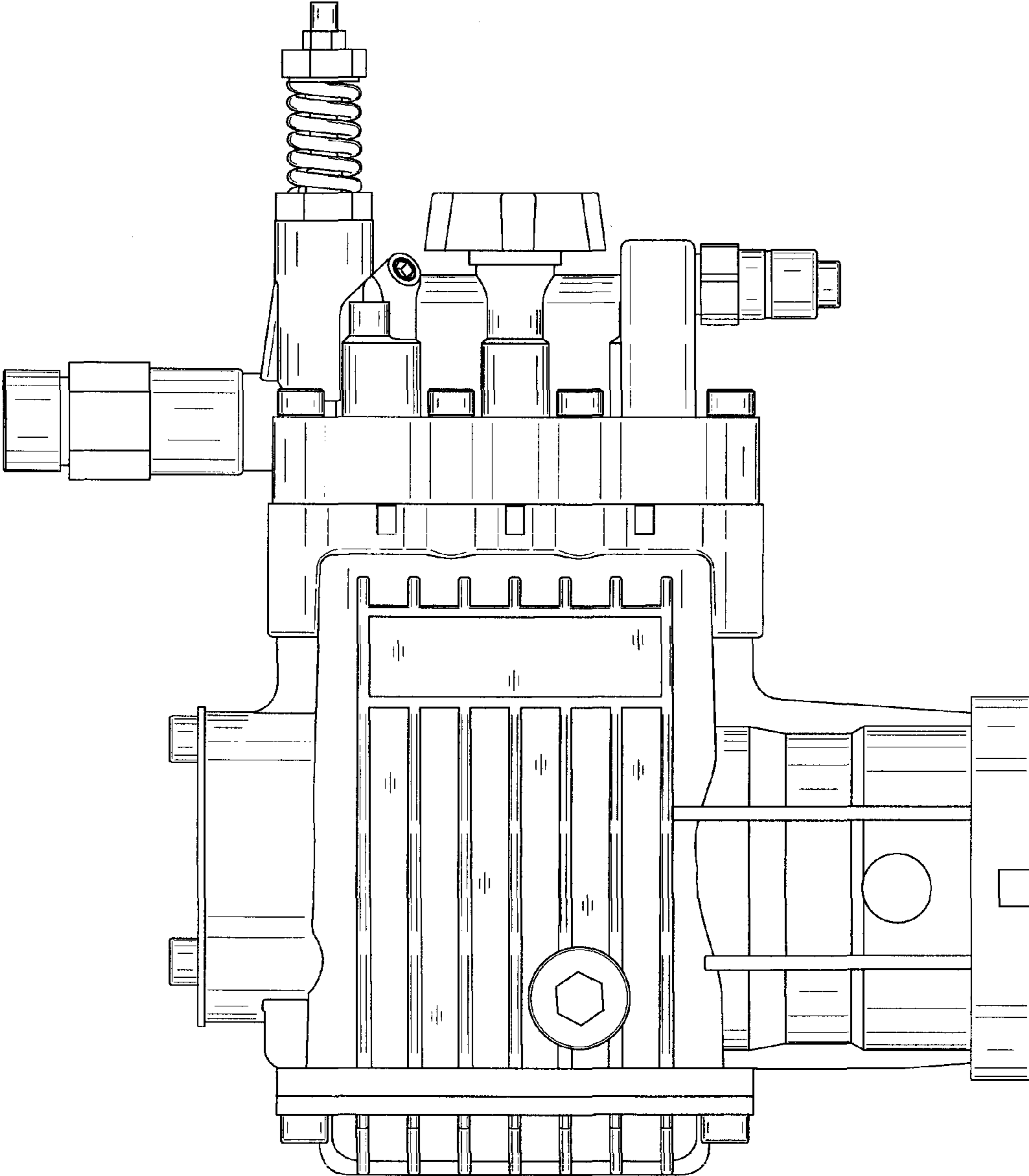


FIG. 4

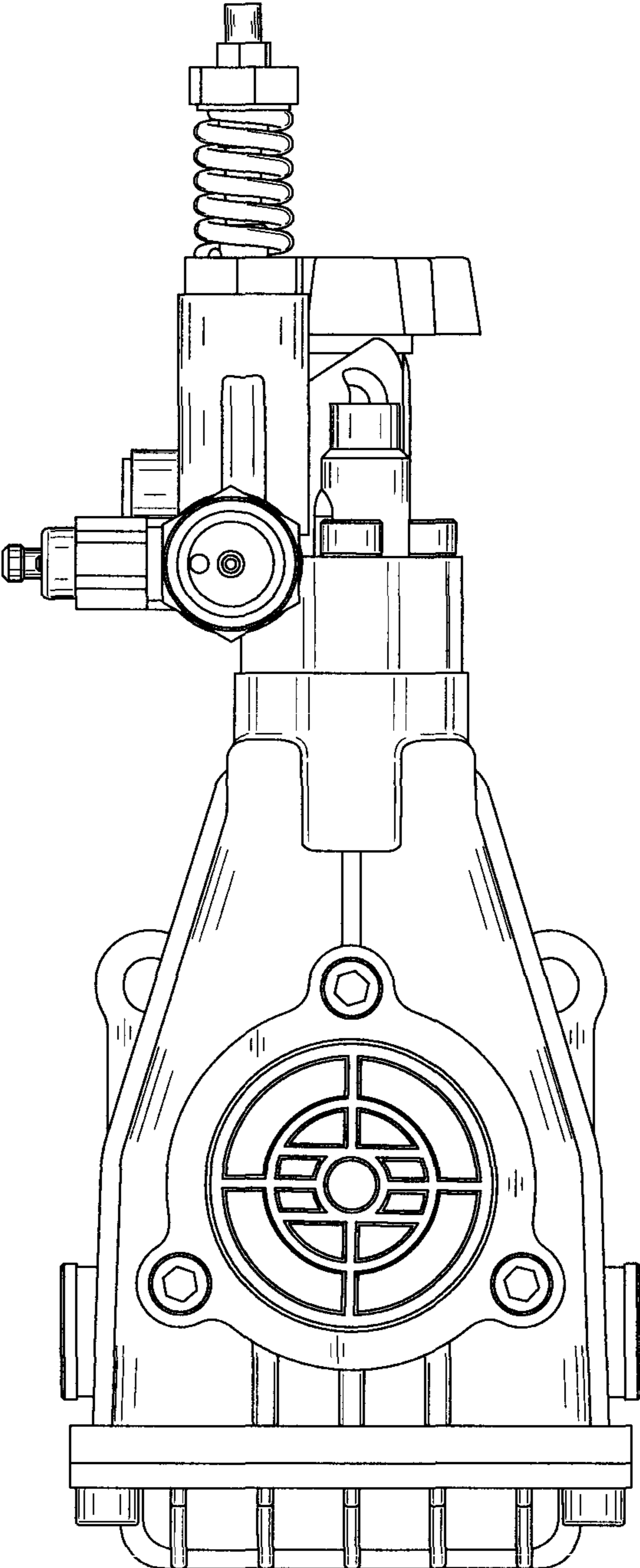


FIG. 5

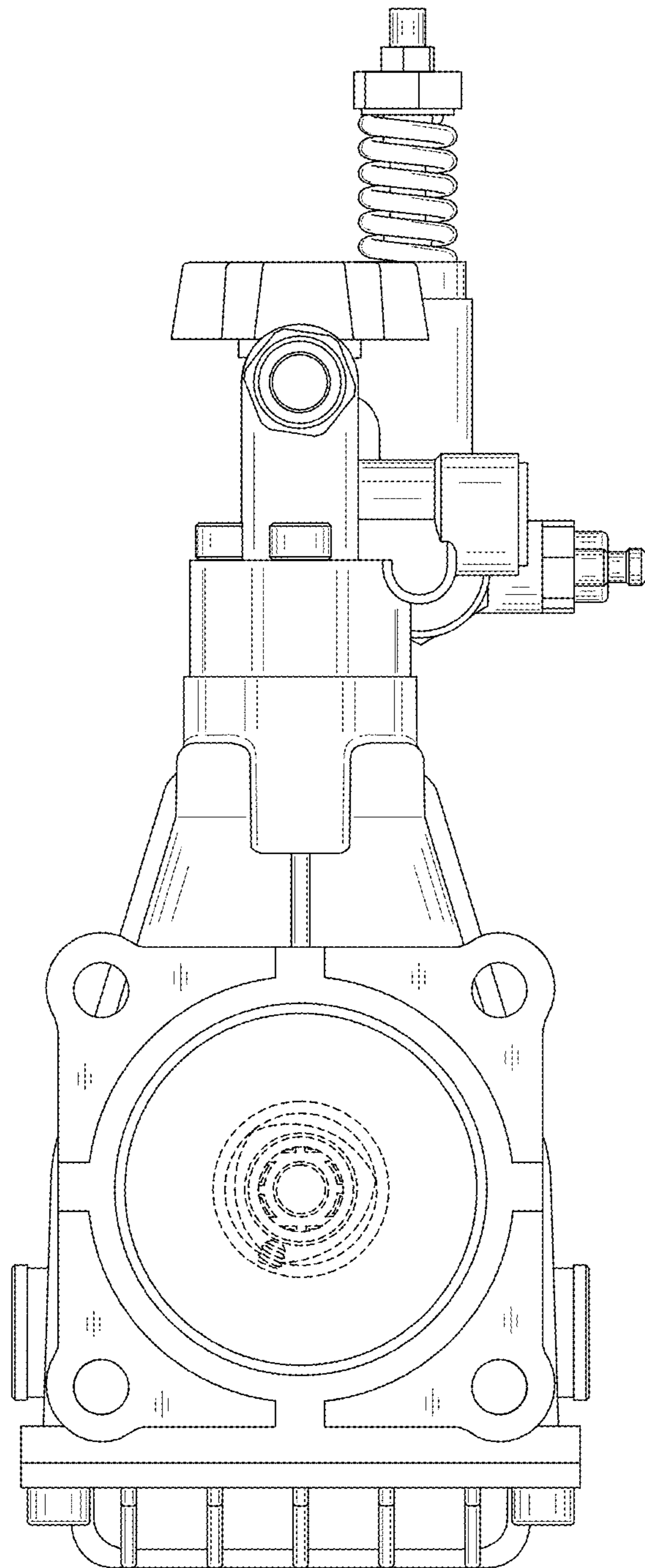


FIG. 6

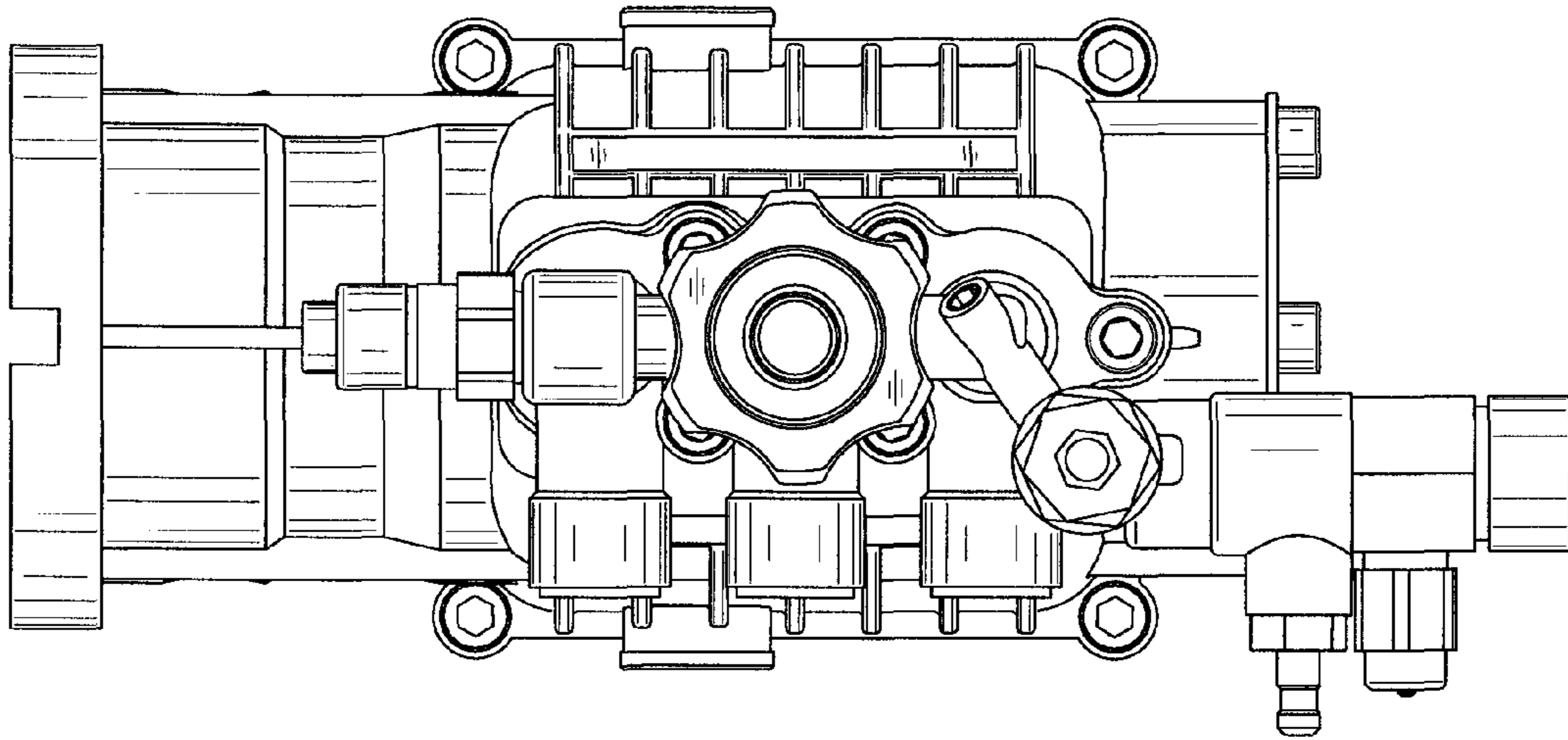


FIG. 7

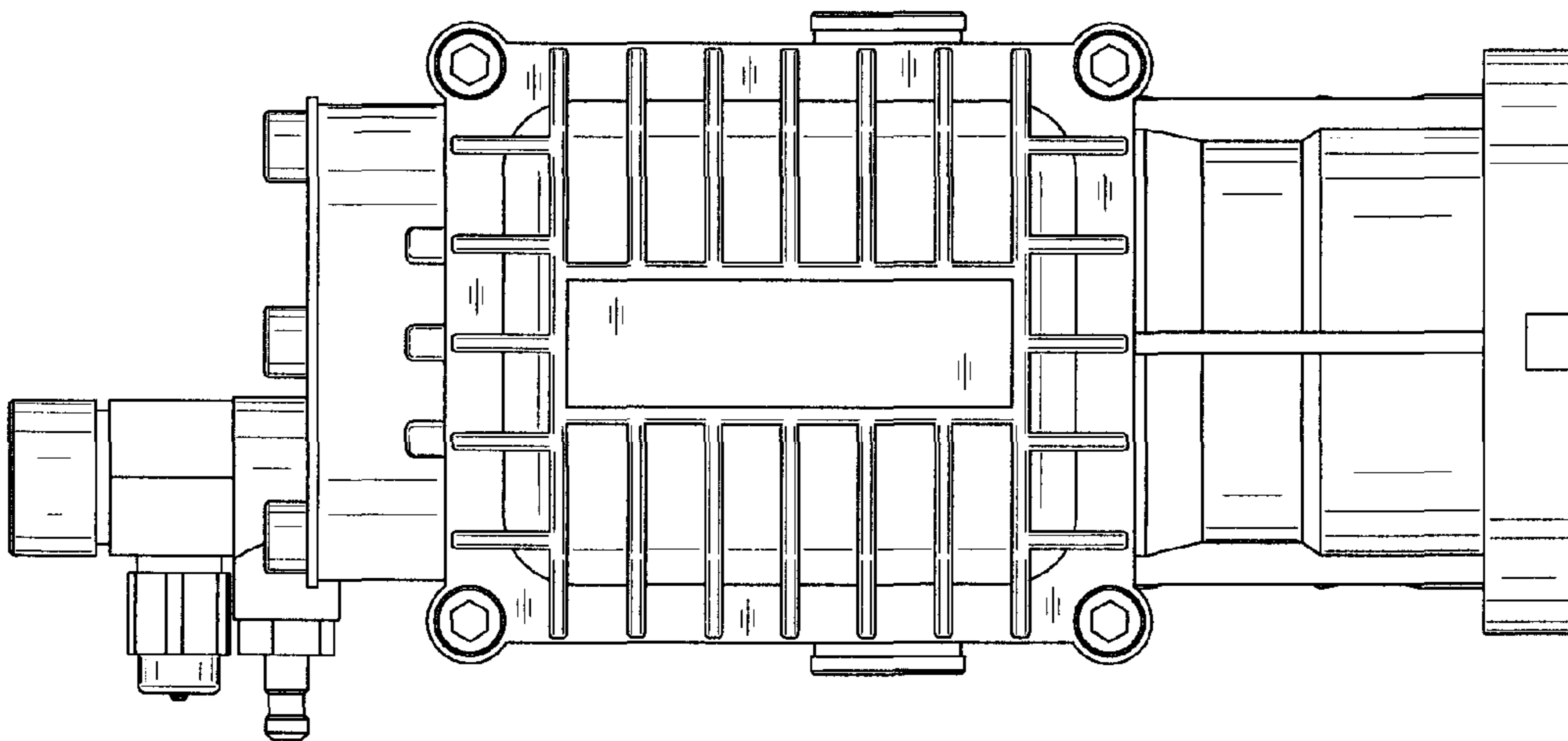


FIG. 8