



US00D700207S

(12) **United States Design Patent**  
**Pearson et al.**

(10) **Patent No.:** **US D700,207 S**

(45) **Date of Patent:** **\*\* Feb. 25, 2014**

(54) **DISPLAY SCREEN WITH ANIMATED GRAPHICAL USER INTERFACE**

(74) *Attorney, Agent, or Firm* — Banner & Witcoff, Ltd.

(75) Inventors: **Mark E. Pearson**, Renton, WA (US);  
**Erez Kikin Gil**, Redmond, WA (US);  
**Matthew J. Kotler**, Sammamish, WA (US)

(57) **CLAIM**  
The ornamental design for a display screen with animated graphical user interface, as shown and described.

(73) Assignee: **Microsoft Corporation**, Redmond, WA (US)

(\*\*) **Term:** **14 Years**

**DESCRIPTION**

(21) Appl. No.: **29/412,718**

FIG. 1 is the first image in a sequence for a display screen with animated graphical user interface showing our new design; FIG. 2 is the second image thereof; FIG. 3 is the third image thereof; FIG. 4 is the fourth image thereof; FIG. 5 is the fifth image thereof; FIG. 6 is the sixth image thereof; FIG. 7 is the seventh image thereof; FIG. 8 is a first image of a second embodiment thereof; FIG. 9 is the second image thereof; FIG. 10 is the third image thereof; FIG. 11 is the fourth image thereof; FIG. 12 is the fifth image thereof; FIG. 13 is the sixth image thereof; FIG. 14 is the seventh image thereof; FIG. 15 is a first image of a third embodiment thereof; FIG. 16 is the second image thereof; FIG. 17 is the third image thereof; FIG. 18 is the fourth image thereof; FIG. 19 is the fifth image thereof; FIG. 20 is the sixth image thereof; and, FIG. 21 is a seventh image thereof.

(22) Filed: **Feb. 7, 2012**

(51) **LOC (10) Cl.** ..... **14-04**

(52) **U.S. Cl.**  
USPC ..... **D14/488**

(58) **Field of Classification Search**  
USPC ..... D14/485-95; D18/24-33; D19/6, 52;  
D20/11; D21/324-33; 715/700-867,  
715/973-77

See application file for complete search history.

The appearance of the animated user interface sequentially transitions between the images shown in FIGS. 1-7, FIGS. 8-14, and FIGS. 15-21. The process or period in which one image transitions to another forms no part of the claimed design. The broken line showing of the graphical elements and the display screen in all views is for environmental purposes only and forms no part of the claimed design.

(56) **References Cited**

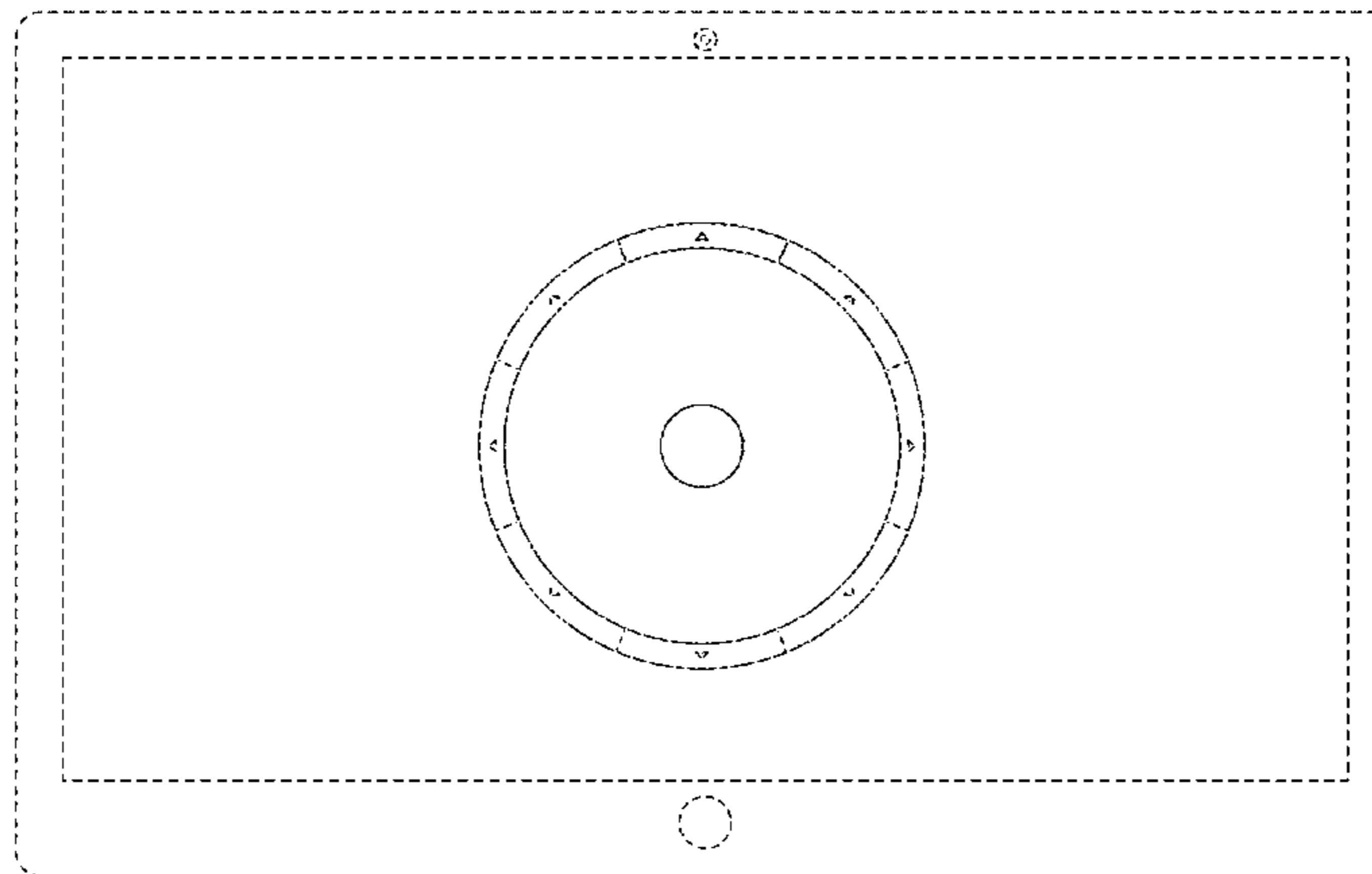
**U.S. PATENT DOCUMENTS**

4,747,093	A *	5/1988	Benne et al.	369/280
5,526,341	A *	6/1996	Shiba et al.	369/275.1
5,675,570	A *	10/1997	Ohira et al.	369/275.1
D396,455	S *	7/1998	Bier	D14/489
D464,360	S *	10/2002	Grundel et al.	D14/485
6,549,219	B2 *	4/2003	Selker	715/834
D474,197	S *	5/2003	Nguyen	D14/486
D492,695	S *	7/2004	Suzuki et al.	D14/489
D493,177	S *	7/2004	Retuta et al.	D14/486
D493,471	S *	7/2004	McIntosh	D14/485
D504,441	S *	4/2005	Sapp et al.	D14/486
D505,135	S *	5/2005	Sapp et al.	D14/489
7,046,248	B1	5/2006	Perttunen	
D544,495	S *	6/2007	Evans et al.	D14/488

(Continued)

*Primary Examiner* — Melanie H Tung

**1 Claim, 21 Drawing Sheets**



(56)

References Cited

U.S. PATENT DOCUMENTS

D545,323 S	6/2007	Decombe	
D545,324 S	6/2007	Decombe	
7,281,214 B2	10/2007	Fadell	
D554,660 S	11/2007	Hoover et al.	
D554,661 S	11/2007	Hoover et al.	
D563,972 S	3/2008	Sherry	
D568,898 S	5/2008	Byeon	
D580,949 S	11/2008	Duarte	
D589,521 S	3/2009	Napier et al.	
D591,305 S *	4/2009	Shimoda	D14/485
7,516,416 B2	4/2009	Viswanathan et al.	
D592,674 S	5/2009	Kwag	
D604,310 S	11/2009	Ahn	
D606,081 S	12/2009	Parker et al.	
D607,007 S *	12/2009	Kocmick	D14/489
D614,192 S *	4/2010	Takano et al.	D14/486
D619,593 S *	7/2010	Fujioka et al.	D14/485
D619,614 S *	7/2010	O'Mullan et al.	D14/489
D622,281 S *	8/2010	Maitlen et al.	D14/485
D625,319 S	10/2010	Allen et al.	
D625,328 S *	10/2010	Fitzmaurice et al.	D14/489
D627,360 S *	11/2010	Aarseth	D14/485
D635,987 S	4/2011	Mays et al.	
D635,988 S	4/2011	Mays et al.	
D637,197 S	5/2011	Ray et al.	
D644,243 S *	8/2011	Matas	D14/489
D645,470 S *	9/2011	Matas	D14/489
D651,611 S *	1/2012	Ouilhet et al.	D14/489
D651,613 S *	1/2012	Ouilhet	D14/491
D664,562 S *	7/2012	McCain et al.	D14/489
D667,428 S *	9/2012	Wujcik et al.	D14/489
D667,429 S *	9/2012	Wujcik et al.	D14/489
D678,902 S *	3/2013	Evans	D14/492
D681,669 S *	5/2013	Phelan	D14/489
D685,391 S *	7/2013	Blissenbach et al.	D14/492
2004/0141010 A1 *	7/2004	Fitzmaurice et al.	345/810
2005/0010955 A1 *	1/2005	Elia et al.	725/88
2008/0126992 A1 *	5/2008	Scheu et al.	715/835
2010/0088594 A1 *	4/2010	Kim et al.	715/274

\* cited by examiner

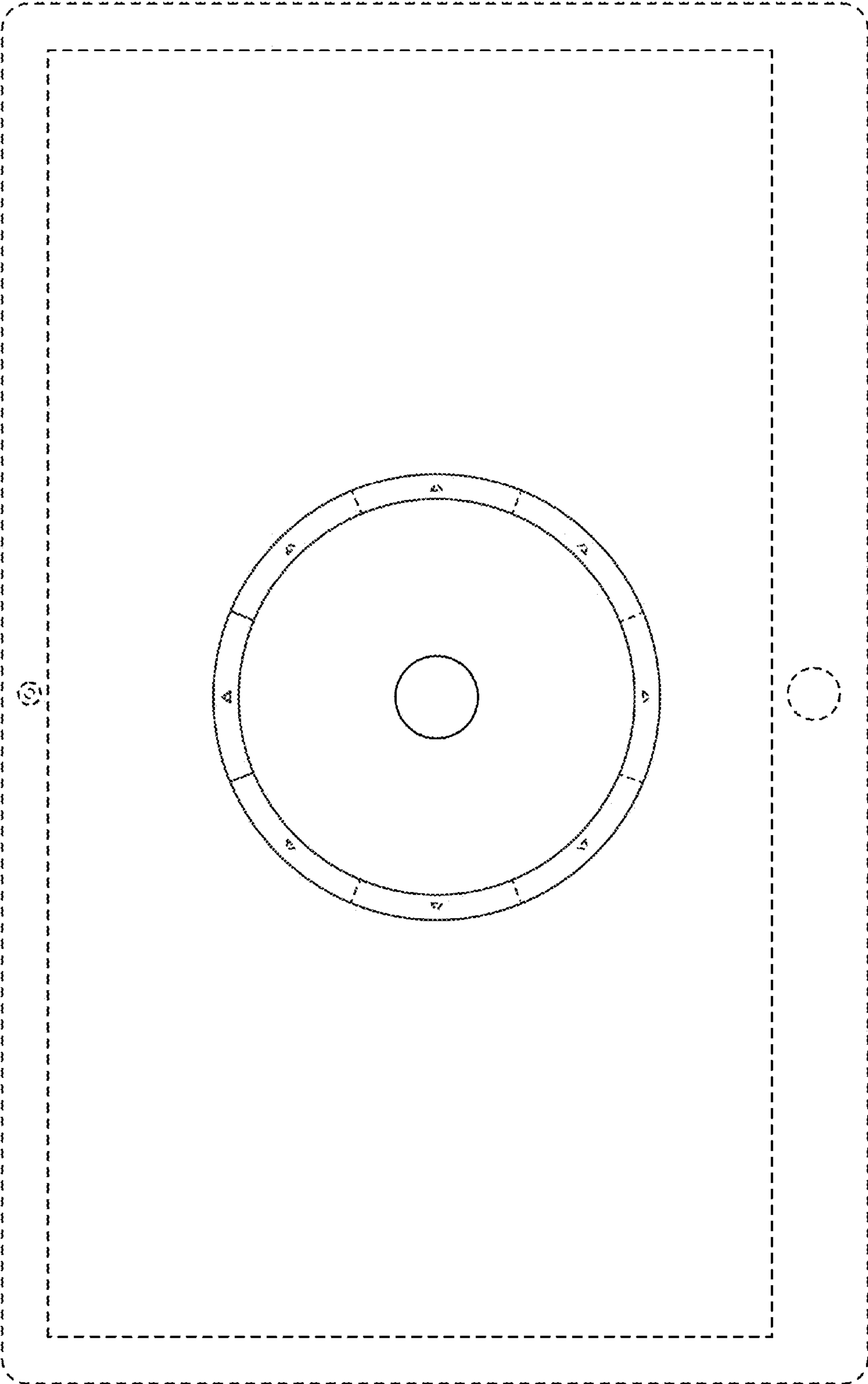


FIG. 1

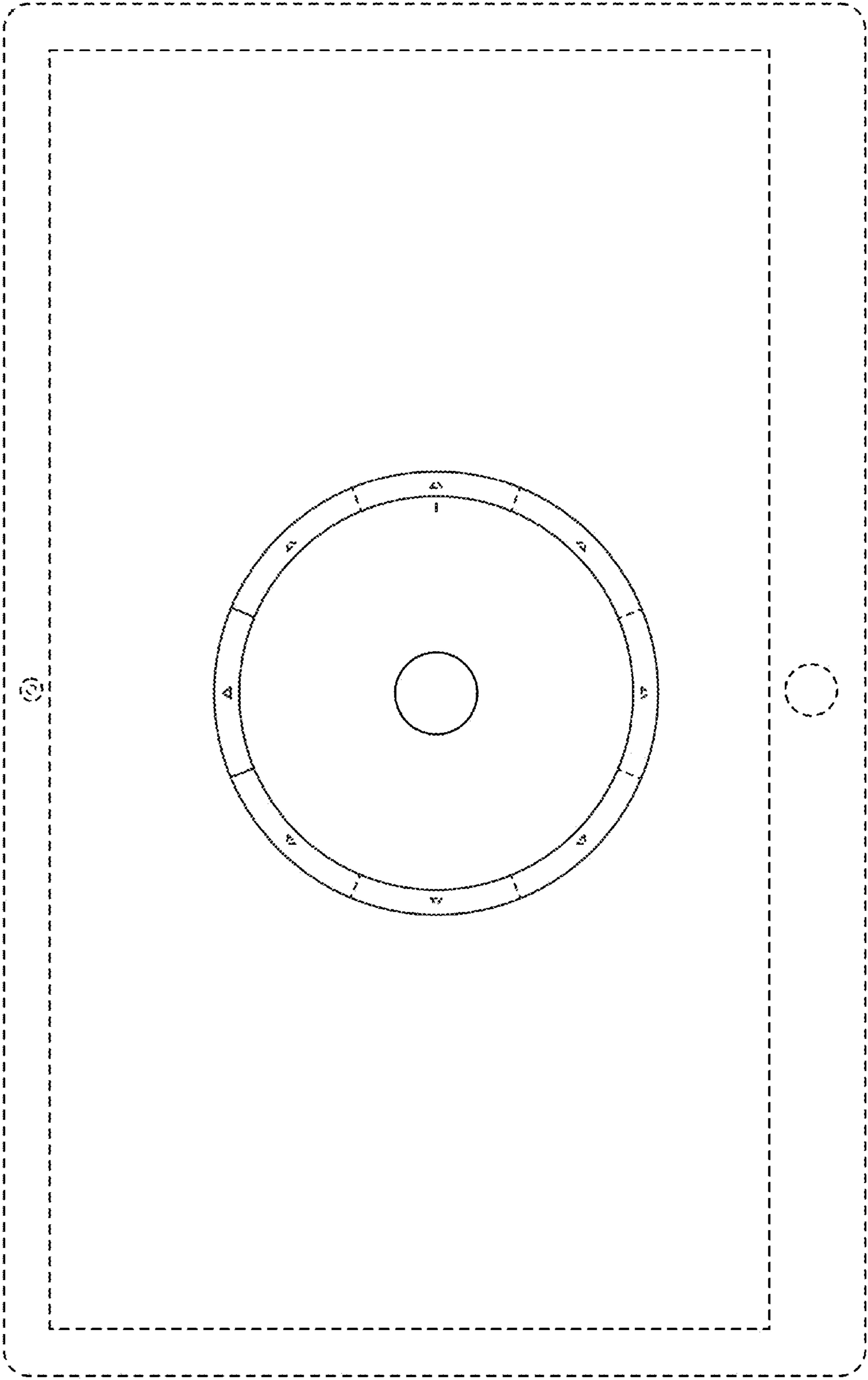


FIG. 2

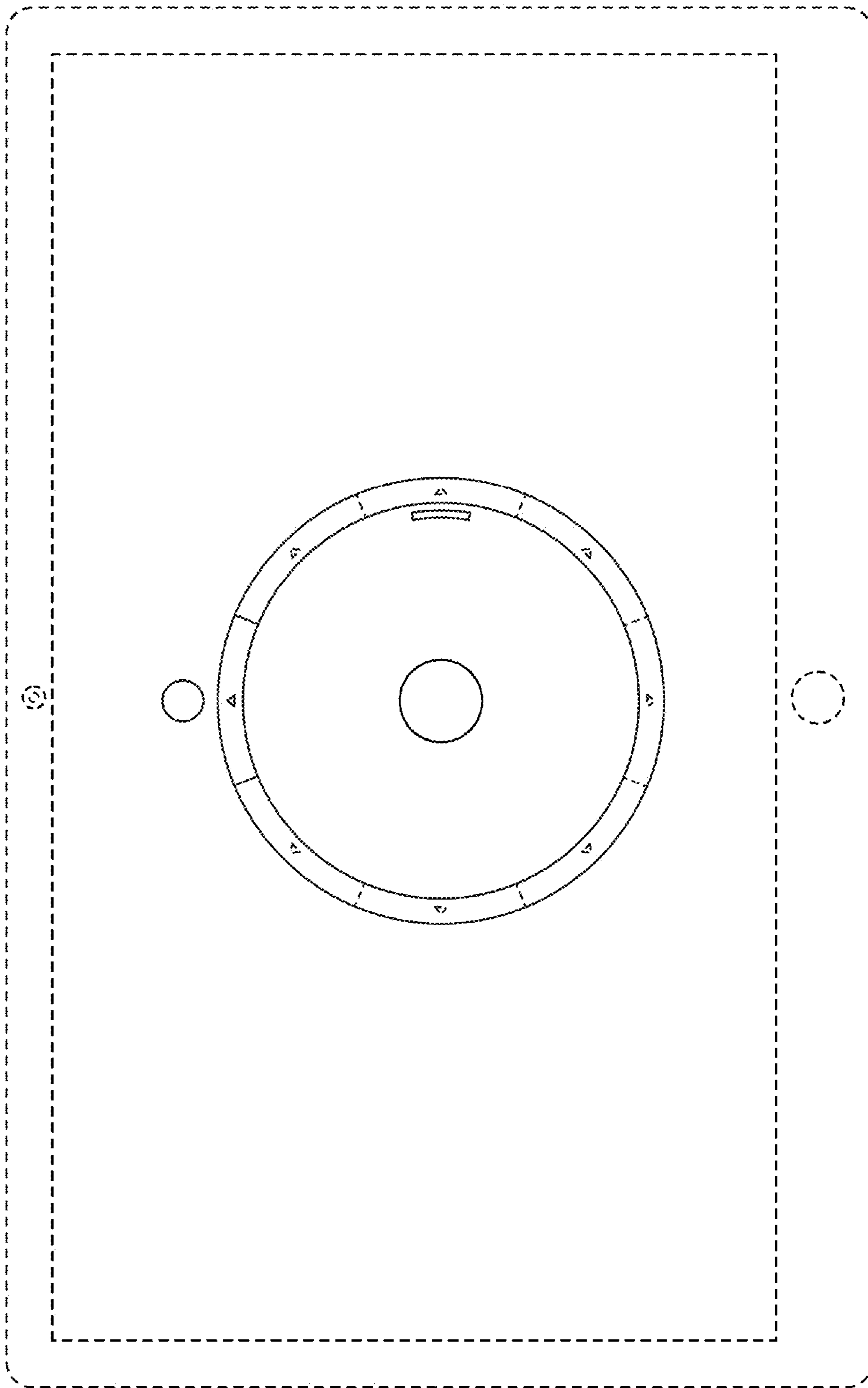


FIG. 3

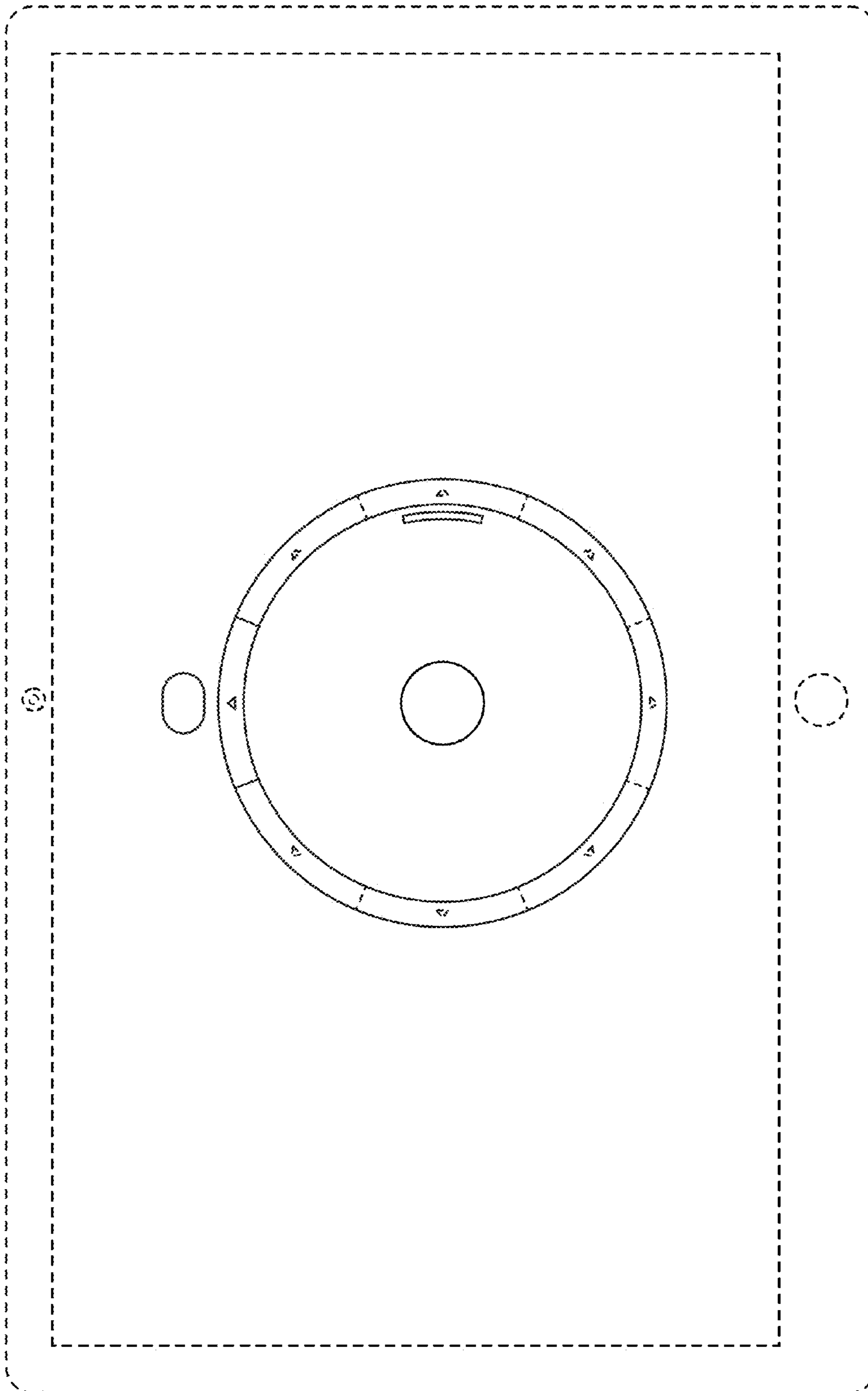


FIG. 4

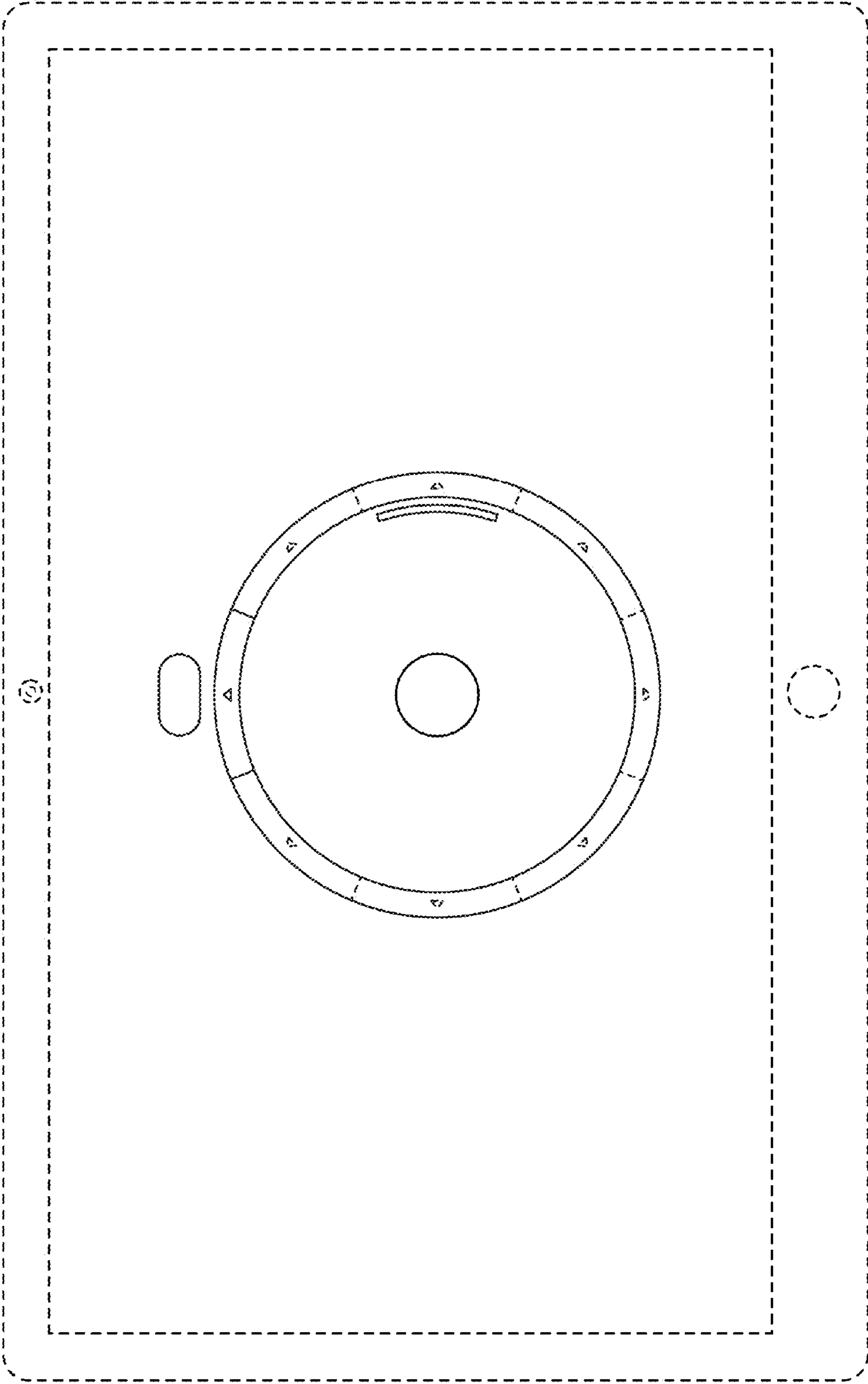


FIG. 5

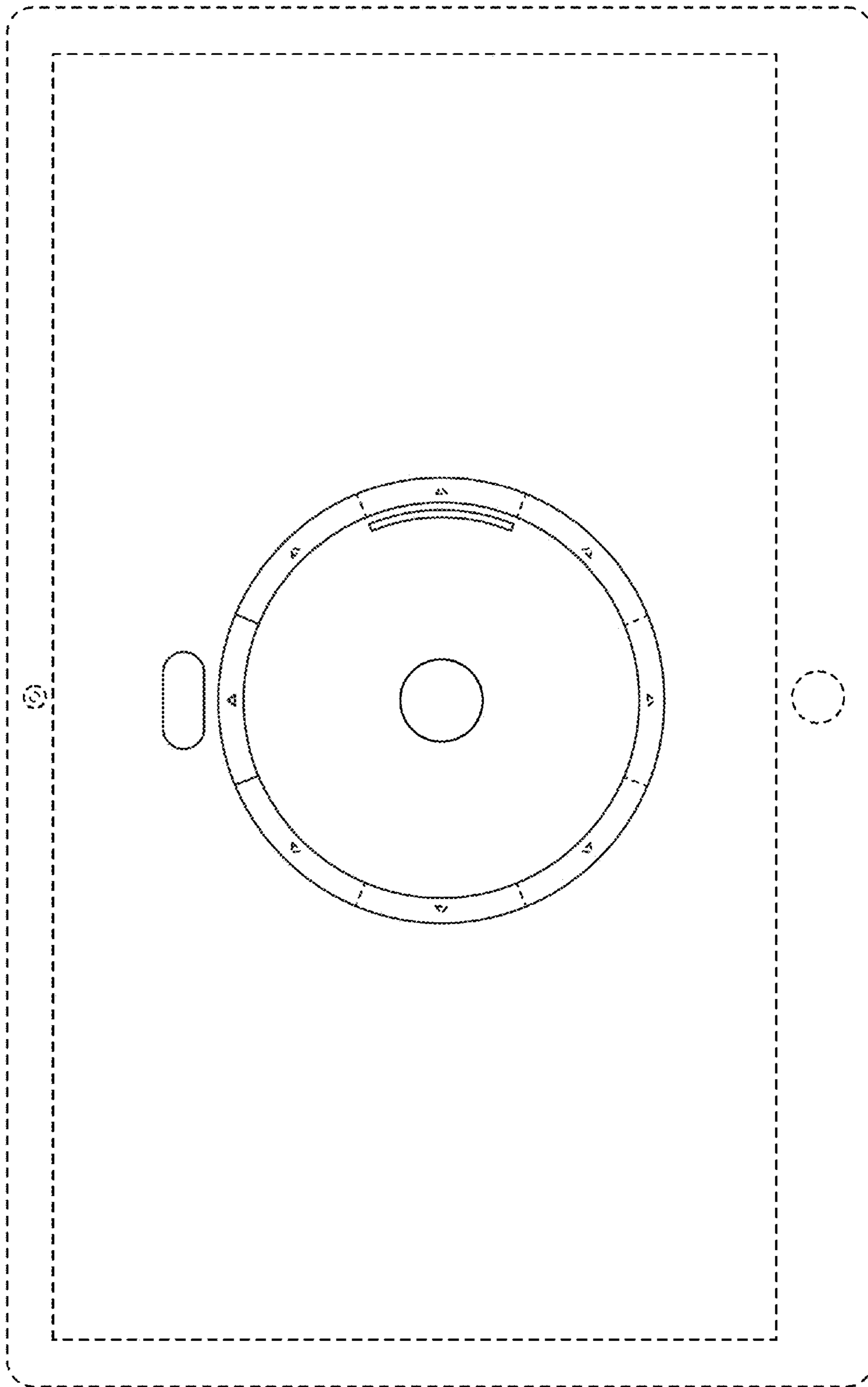


FIG. 6



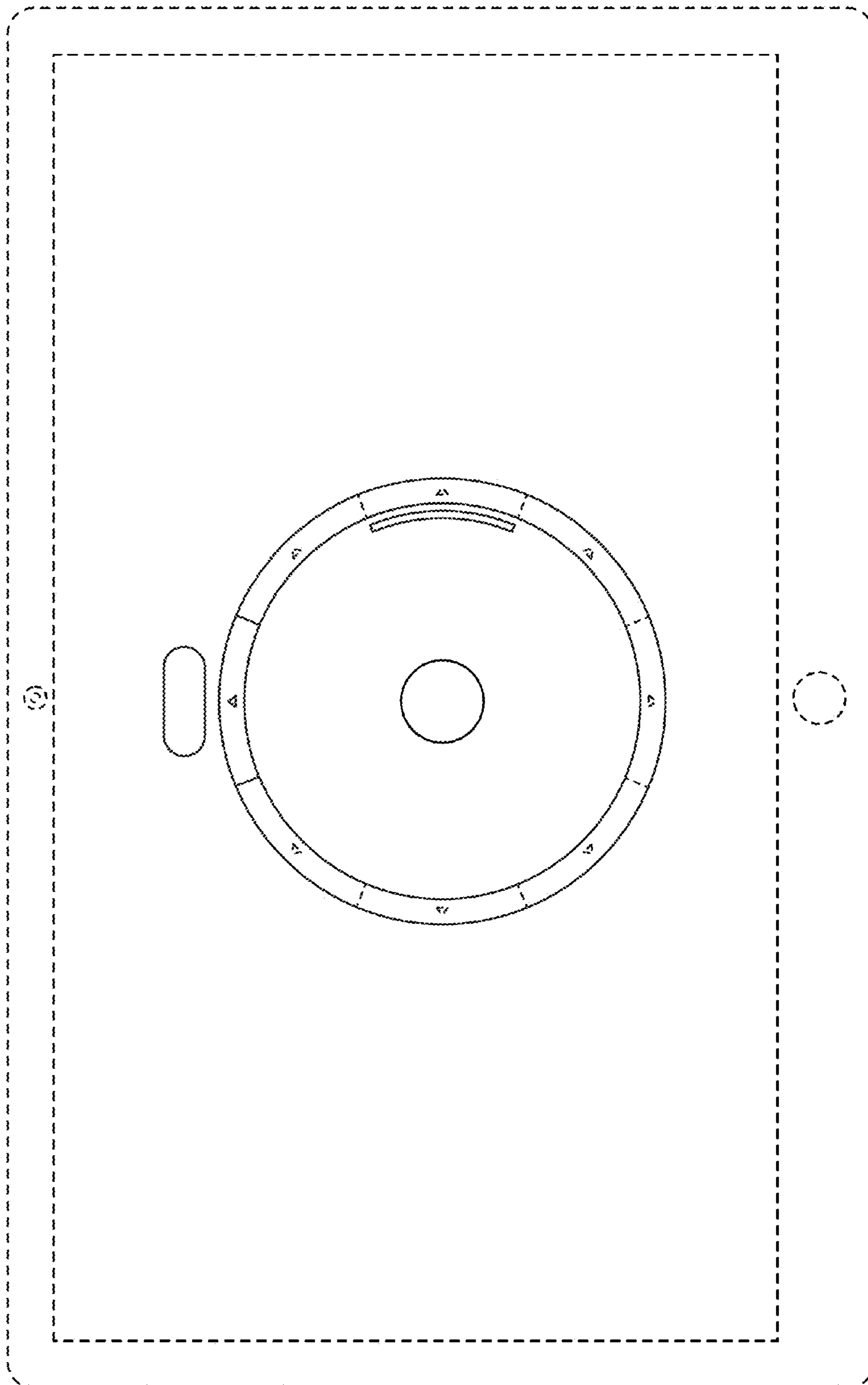


FIG. 7

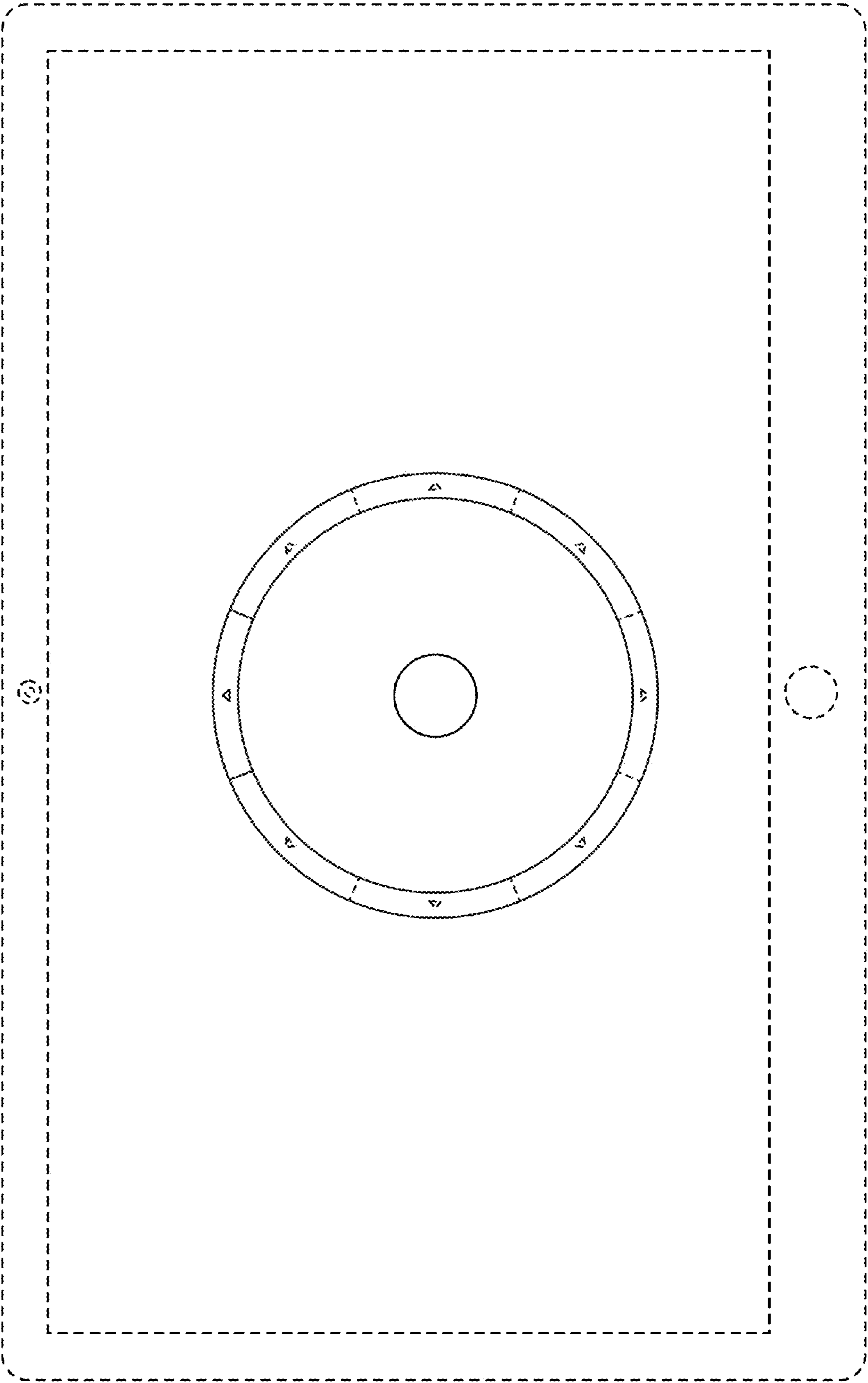


FIG. 8

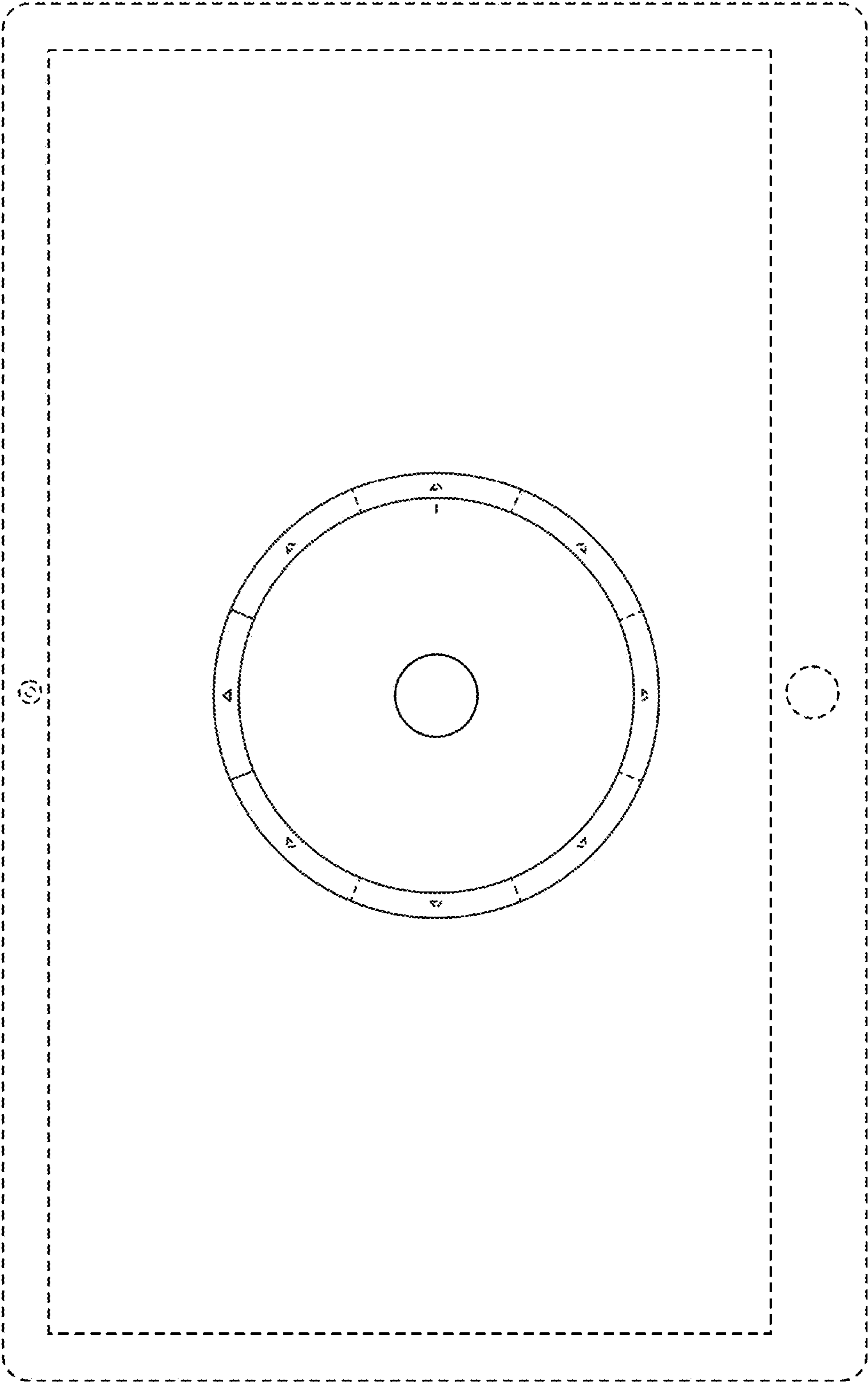


FIG. 9

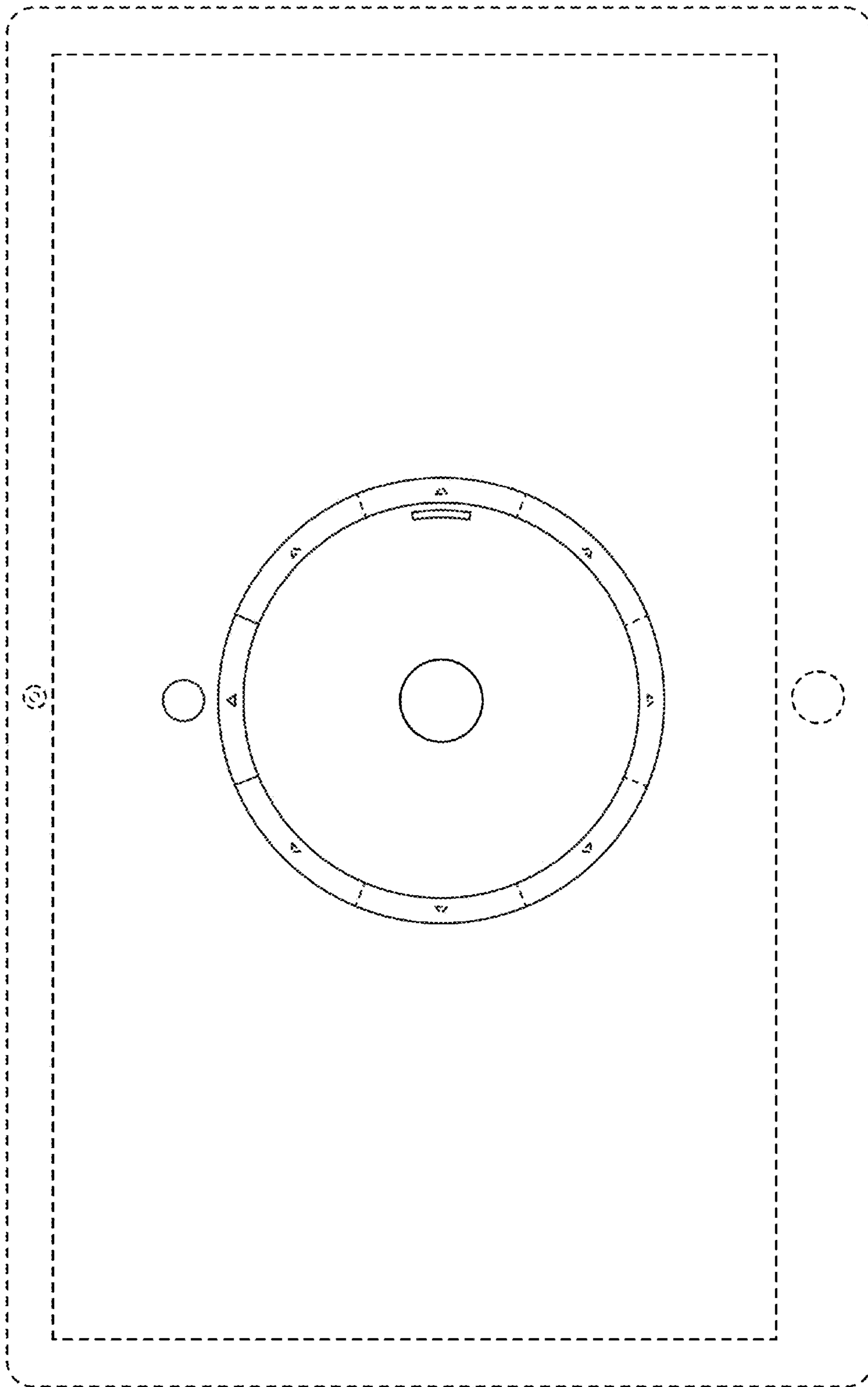


FIG. 10

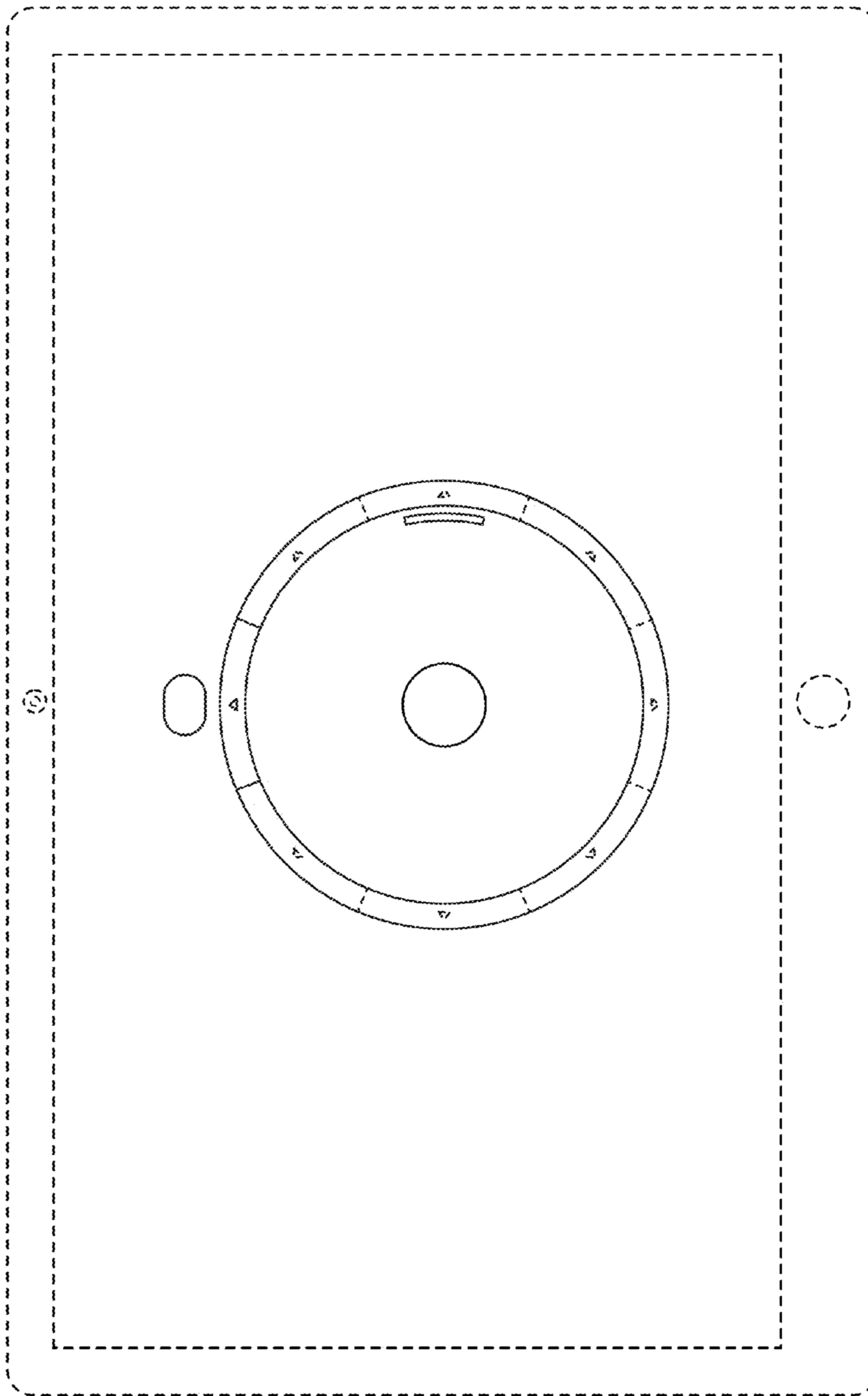


FIG. 11

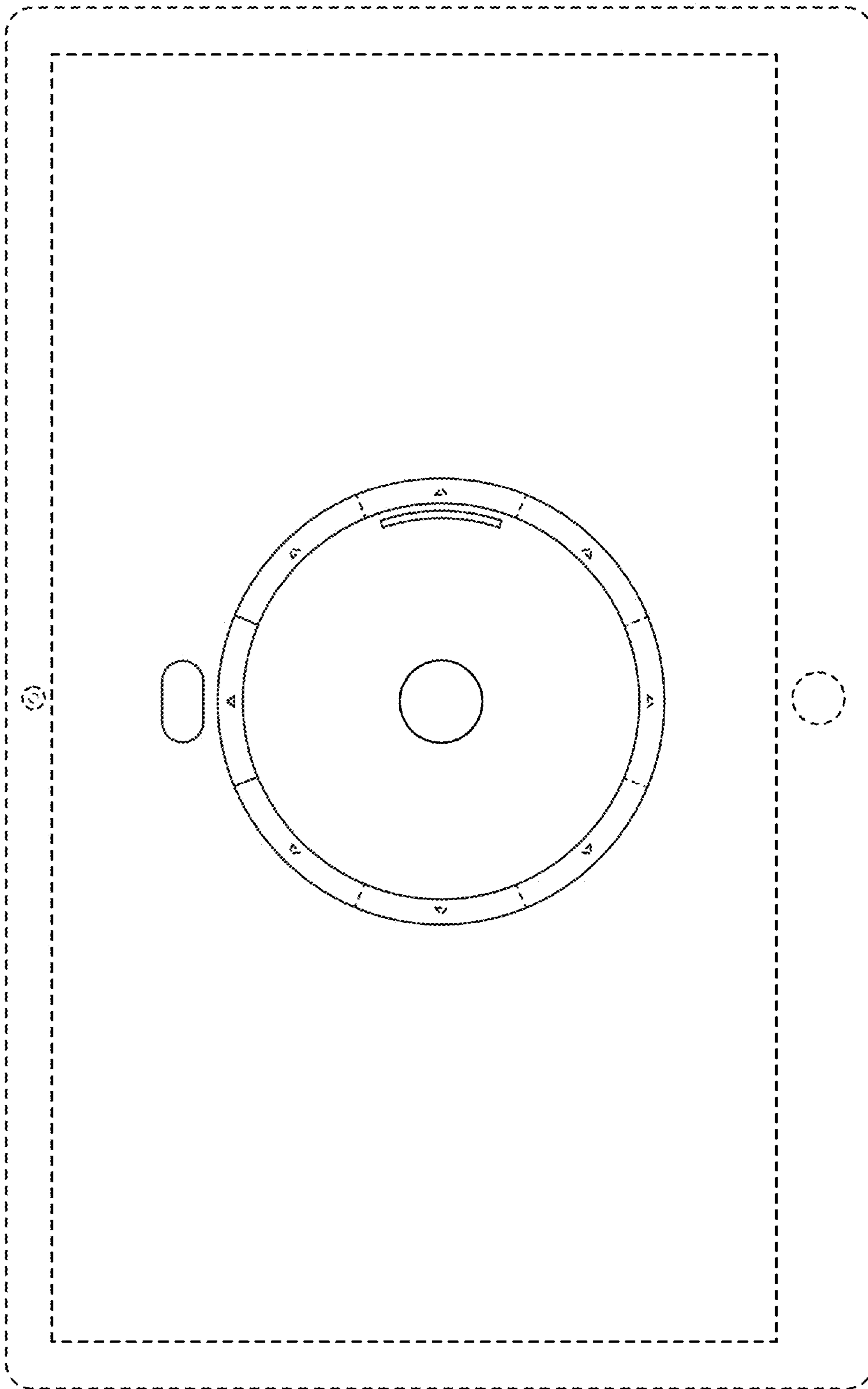


FIG. 12

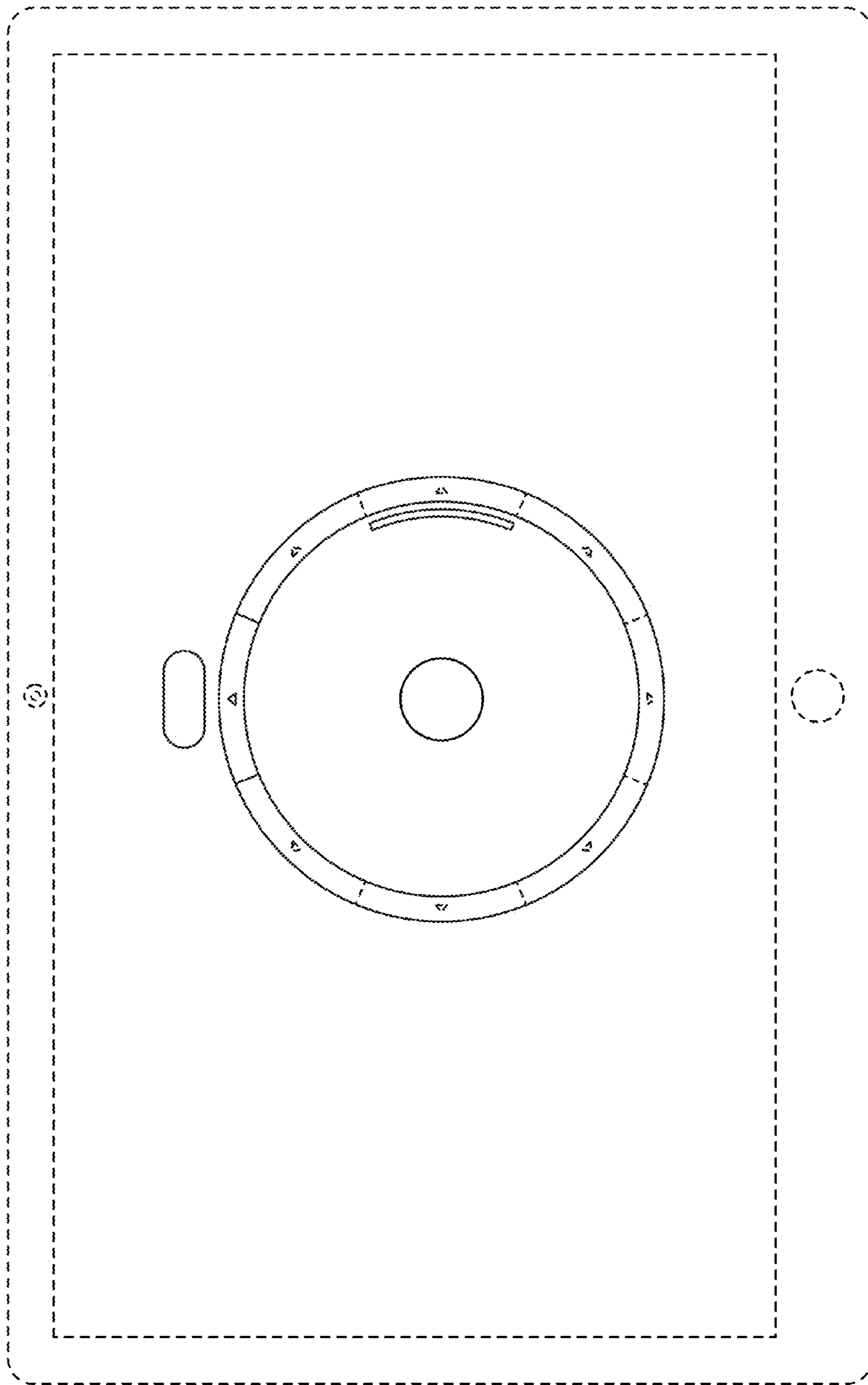


FIG. 13

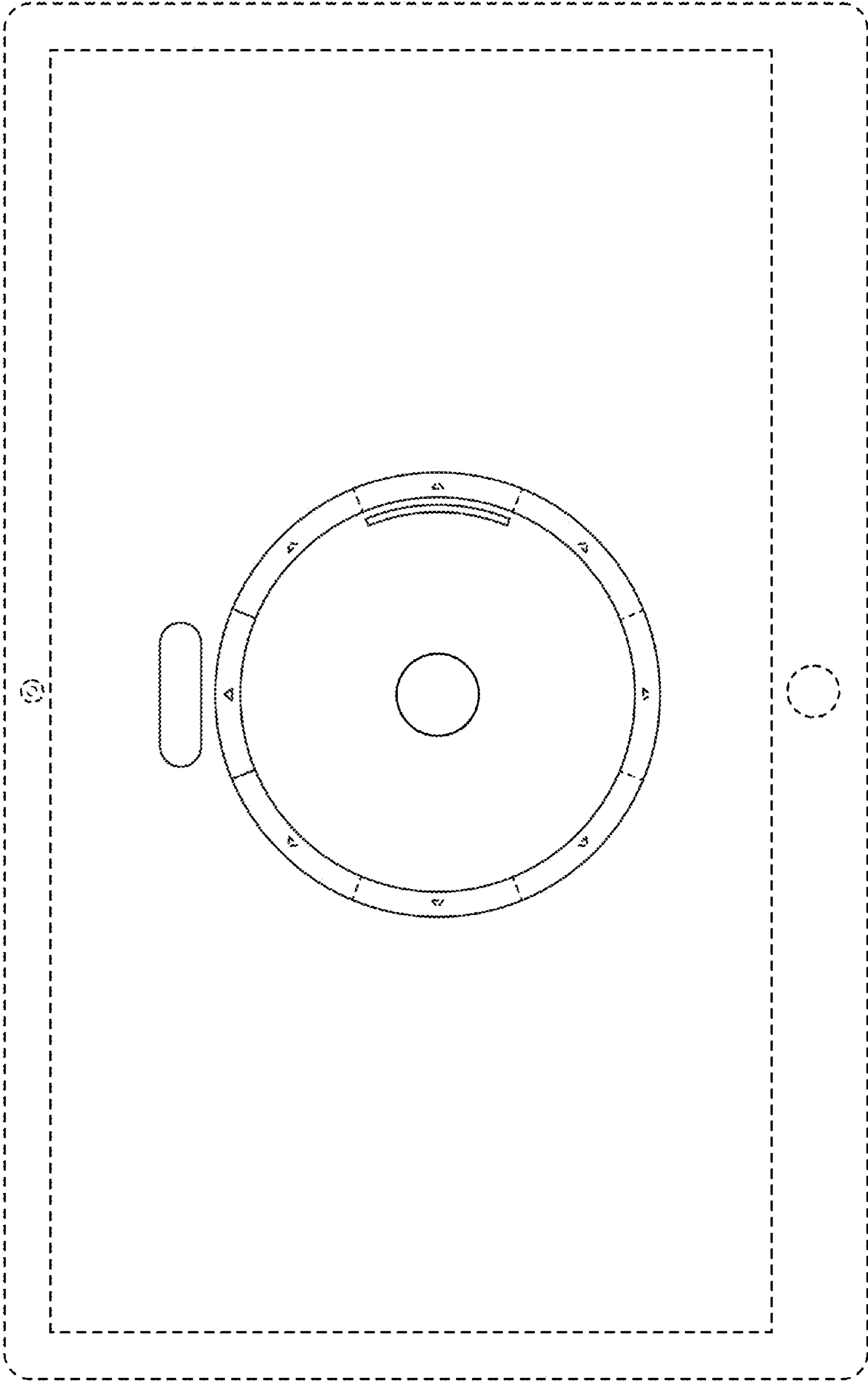


FIG. 14



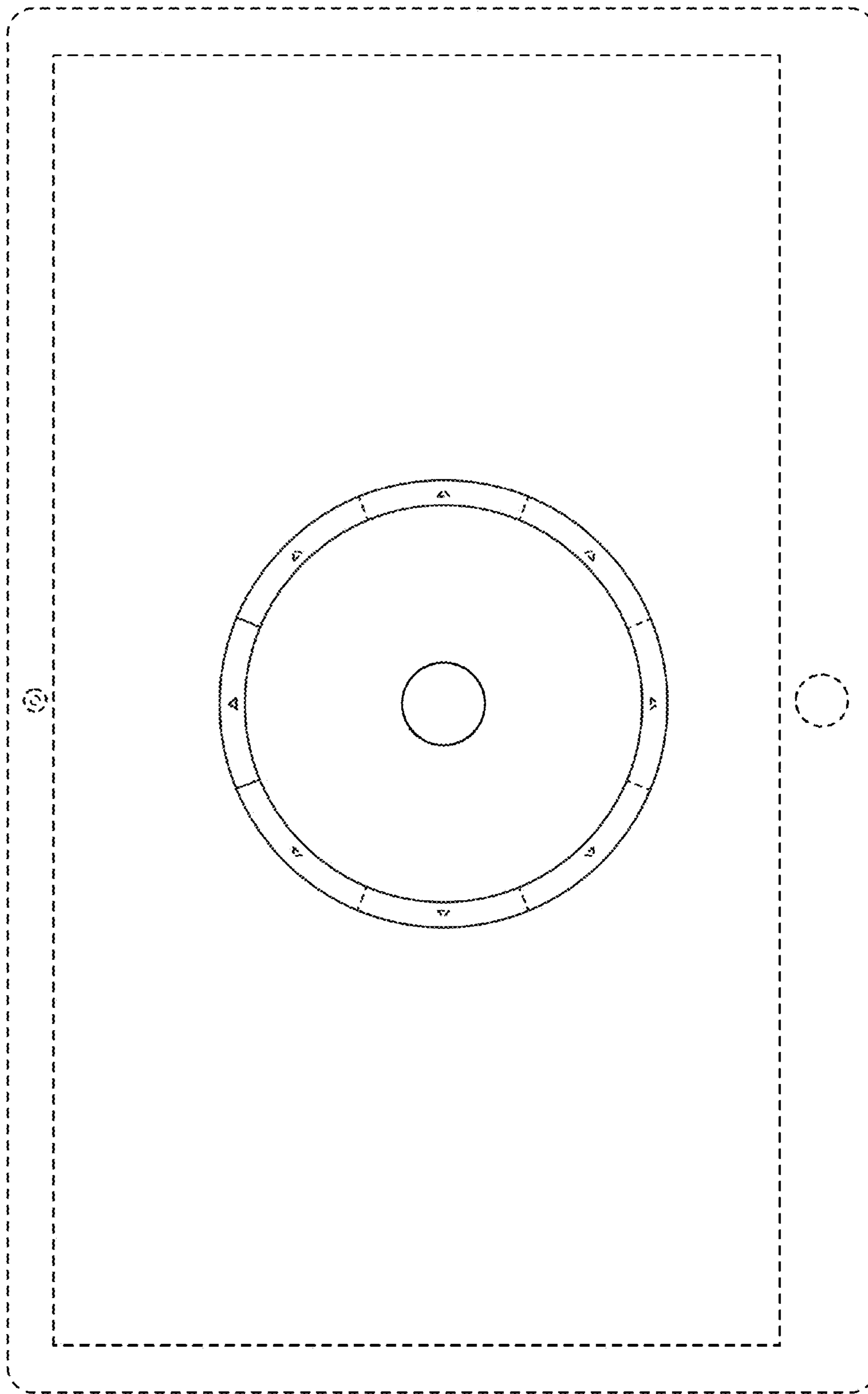


FIG. 15

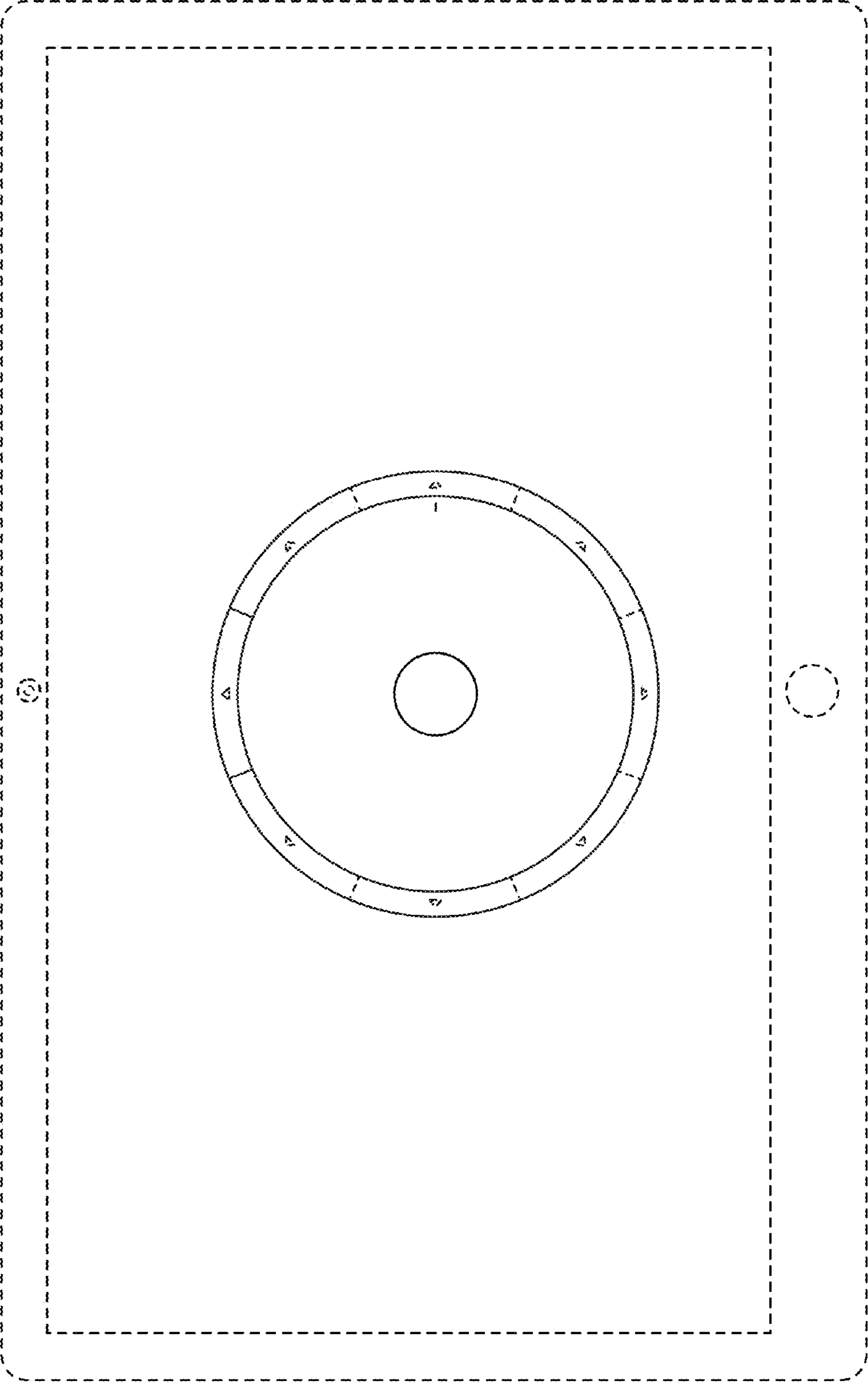


FIG. 16

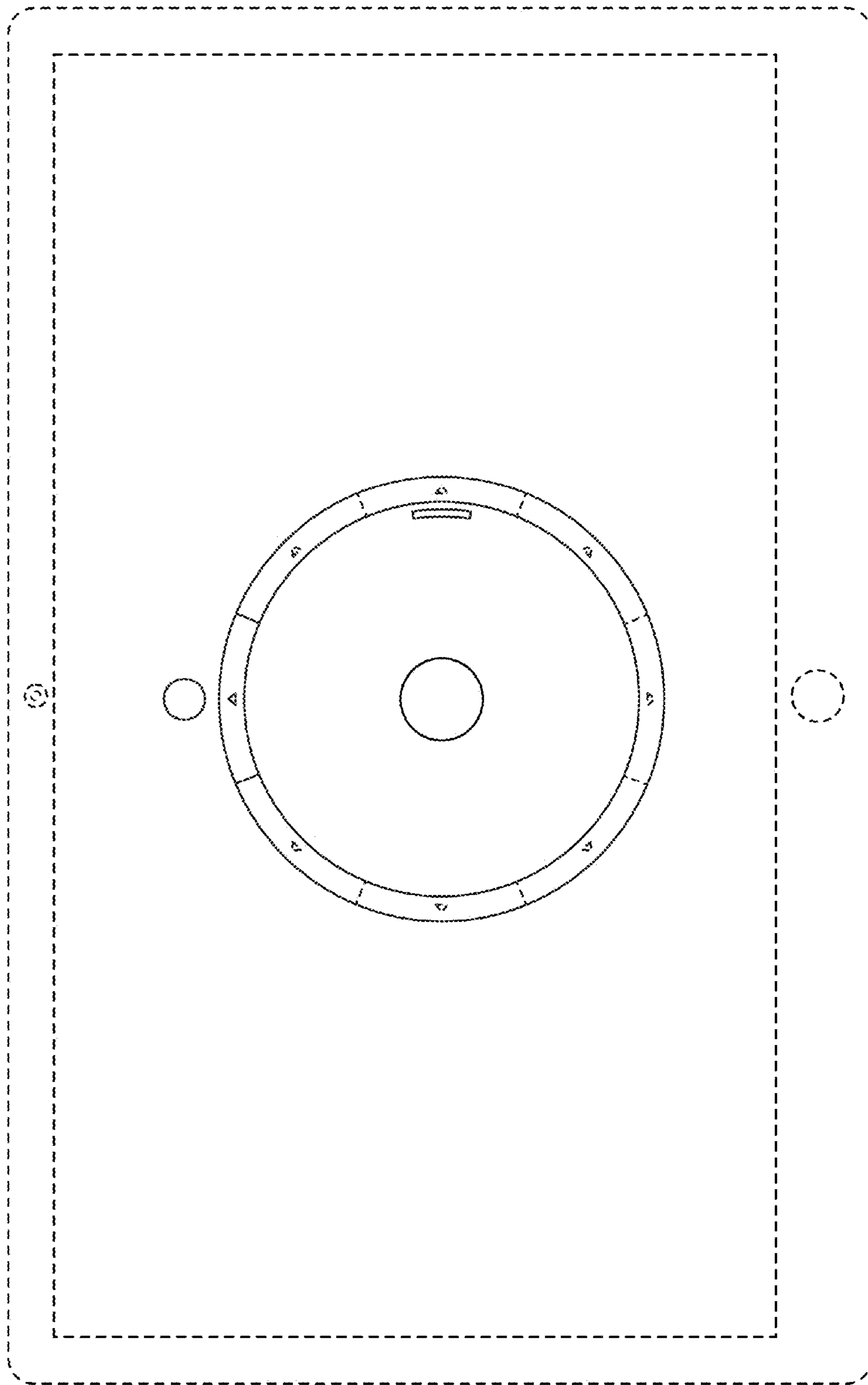


FIG. 17

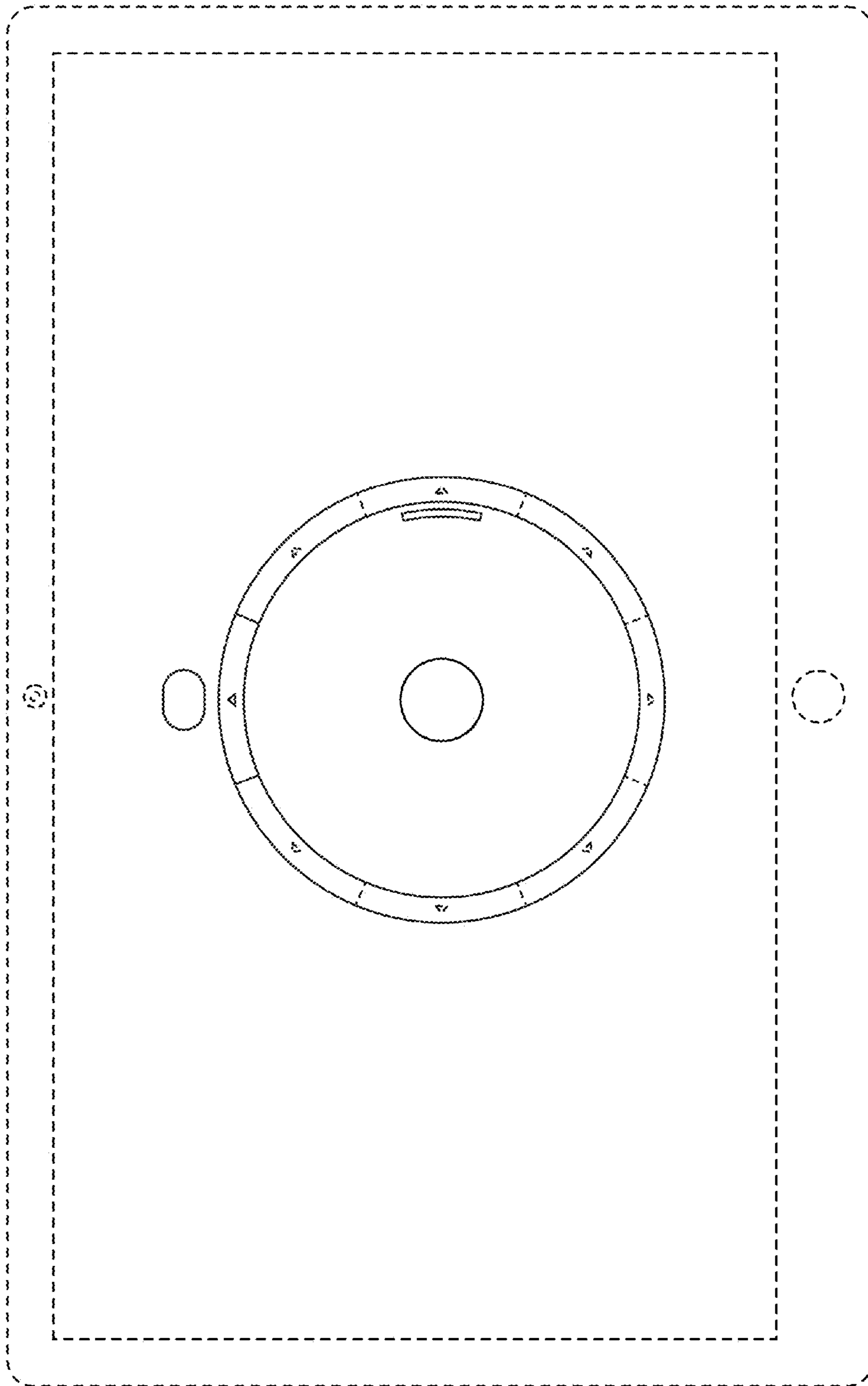


FIG. 18

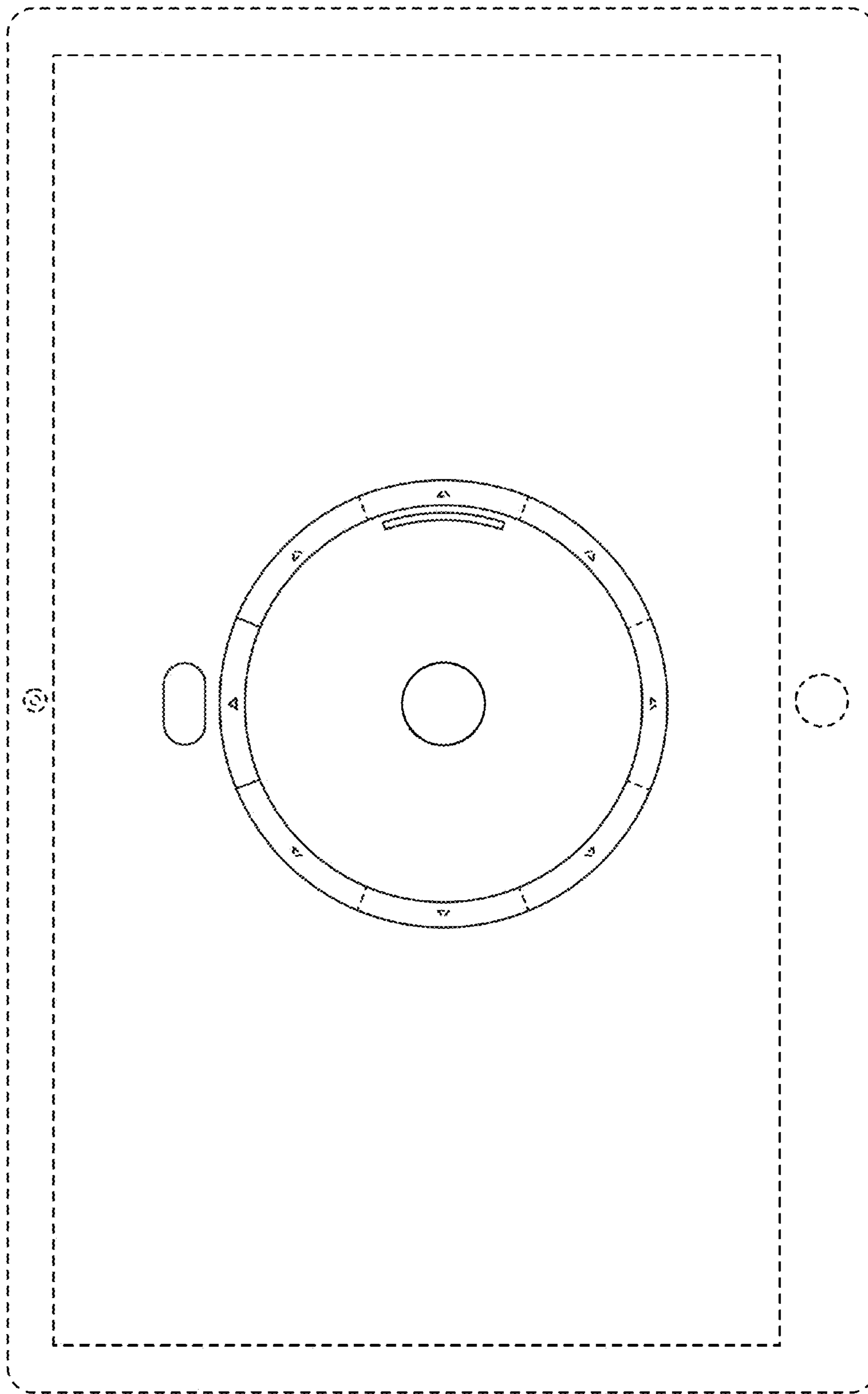


FIG. 19

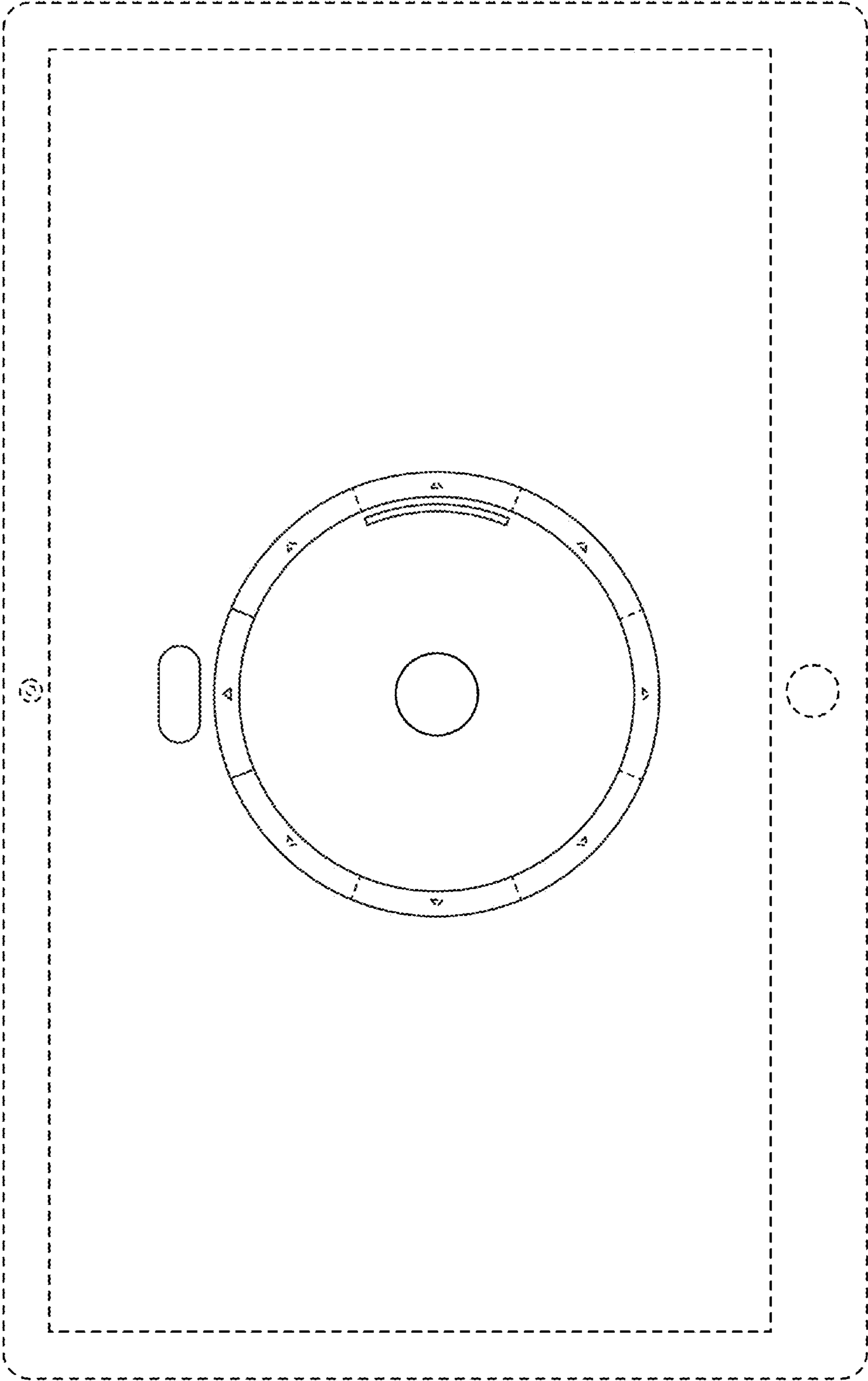


FIG. 20

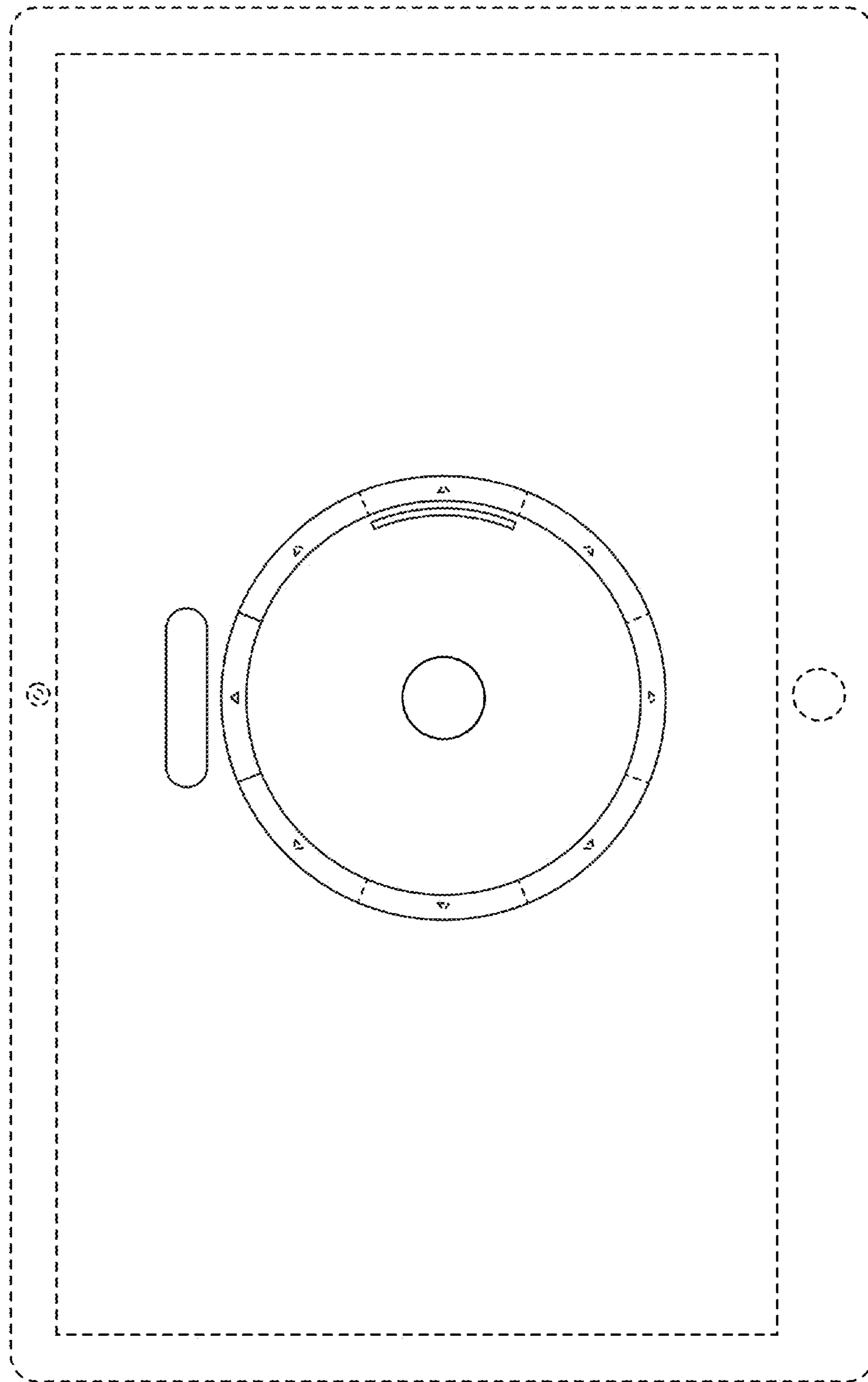


FIG. 21