



US00D700187S

(12) **United States Design Patent**
Lee

(10) **Patent No.:** **US D700,187 S**

(45) **Date of Patent:** **** Feb. 25, 2014**

(54) **DISPLAY DEVICE STAND**

(71) Applicant: **Samsung Electronics Co., Ltd.**,
Suwon-si (KR)

(72) Inventor: **Gil-Jae Lee**, Seoul (KR)

(73) Assignee: **Samsung Electronics Co., Ltd.**,
Suwon-si (KR)

(**) Term: **14 Years**

(21) Appl. No.: **29/457,648**

(22) Filed: **Jun. 12, 2013**

(30) **Foreign Application Priority Data**

Dec. 13, 2012 (KR) 30-2012-0060283

(51) **LOC (10) Cl.** **08-07**

(52) **U.S. Cl.**
USPC **D14/451**

(58) **Field of Classification Search**
USPC D14/211, 238, 251, 253, 371-382,
D14/125-129, 336, 337, 447, 448, 451, 452,
D14/492, 450, 239; 341/12; 345/104, 156,
345/168, 173; 348/180, 184, 325, 739;
349/1, 2, 11, 62; 361/679.05-679.07,
361/679.21; D6/300, 310-313, 308, 708
See application file for complete search history.

(56) **References Cited**

U.S. PATENT DOCUMENTS

D203,199 S * 12/1965 Beckman D6/495
D236,058 S * 7/1975 Kramer D6/484
D303,625 S * 9/1989 Ryser et al. D8/336
D439,067 S * 3/2001 Vertongen D6/370
8,000,092 B2 * 8/2011 Kim 361/679.21

D656,913 S * 4/2012 Ann et al. D14/126
D670,257 S * 11/2012 Yang et al. D14/126
D671,923 S * 12/2012 Seong et al. D14/239
8,390,996 B2 * 3/2013 Park 361/679.22
D680,089 S * 4/2013 Cho et al. D14/126
D680,106 S * 4/2013 Hwangbo et al. D14/239
D682,799 S * 5/2013 Hwang Bo et al. D14/126
D683,735 S * 6/2013 Chang D14/451

* cited by examiner

Primary Examiner — Barbara Fox

Assistant Examiner — Katie Mroczka

(74) *Attorney, Agent, or Firm* — NSIP Law

(57) **CLAIM**

The ornamental design for a display device stand, as shown and described.

DESCRIPTION

FIG. 1 is a perspective view of a display device stand, showing my new design;
FIG. 2 is a front view thereof;
FIG. 3 is a rear view thereof;
FIG. 4 is a left-side view thereof;
FIG. 5 is a right-side view thereof;
FIG. 6 is a top plan view thereof;
FIG. 7 is a bottom plan view thereof; and,
FIG. 8 is a perspective view a display device stand of FIG. 1, in which a display device and a corresponding stand in broken lines are provided to illustrate an example environment. The broken lines in FIGS. 1-6 illustrate portions of the display device stand that form no part of the claimed design. The broken line showing of the display panel and of the second display device stand in FIG. 8 are included for the purpose of illustrating the environment of the claimed design and form no part thereof.

1 Claim, 6 Drawing Sheets

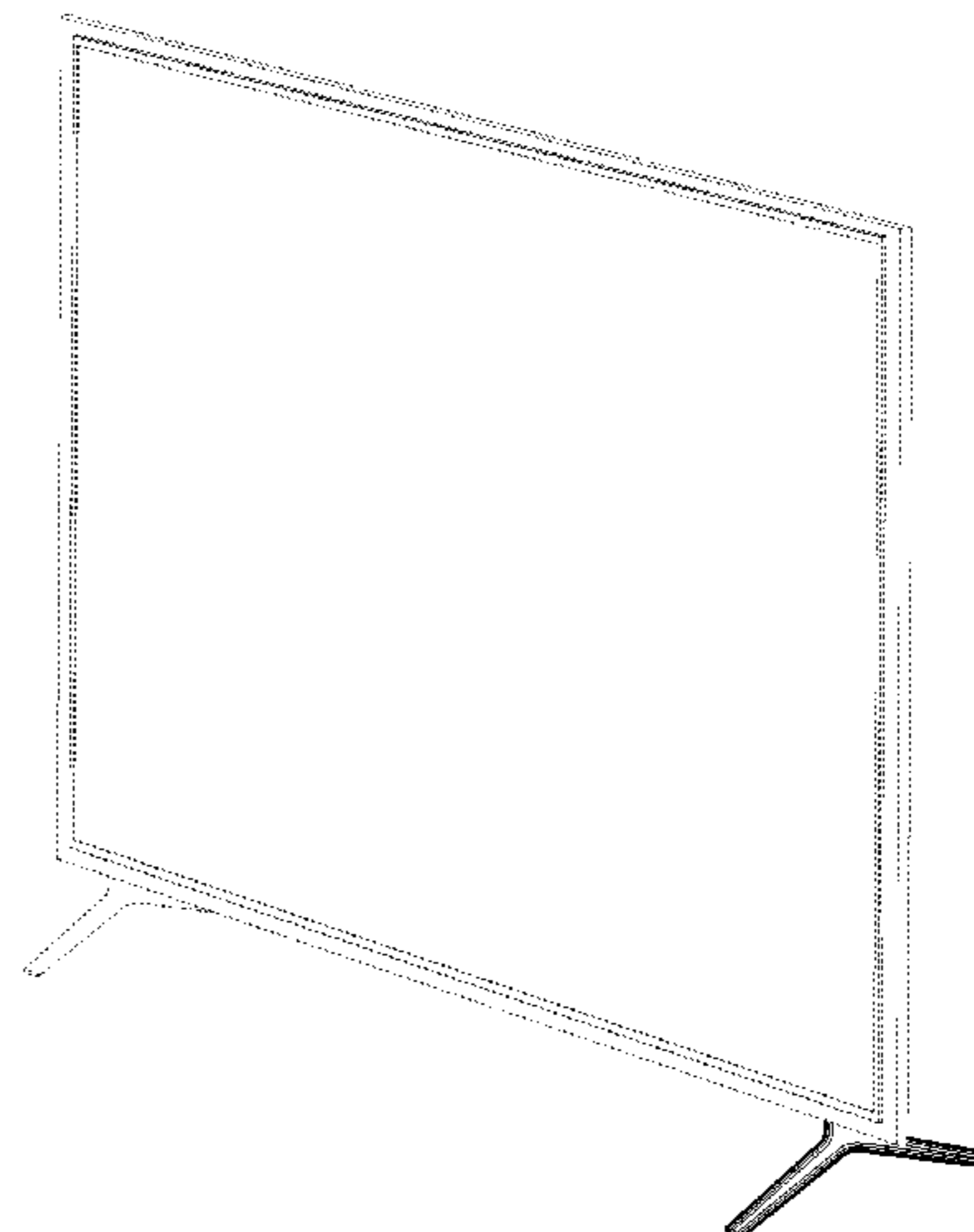
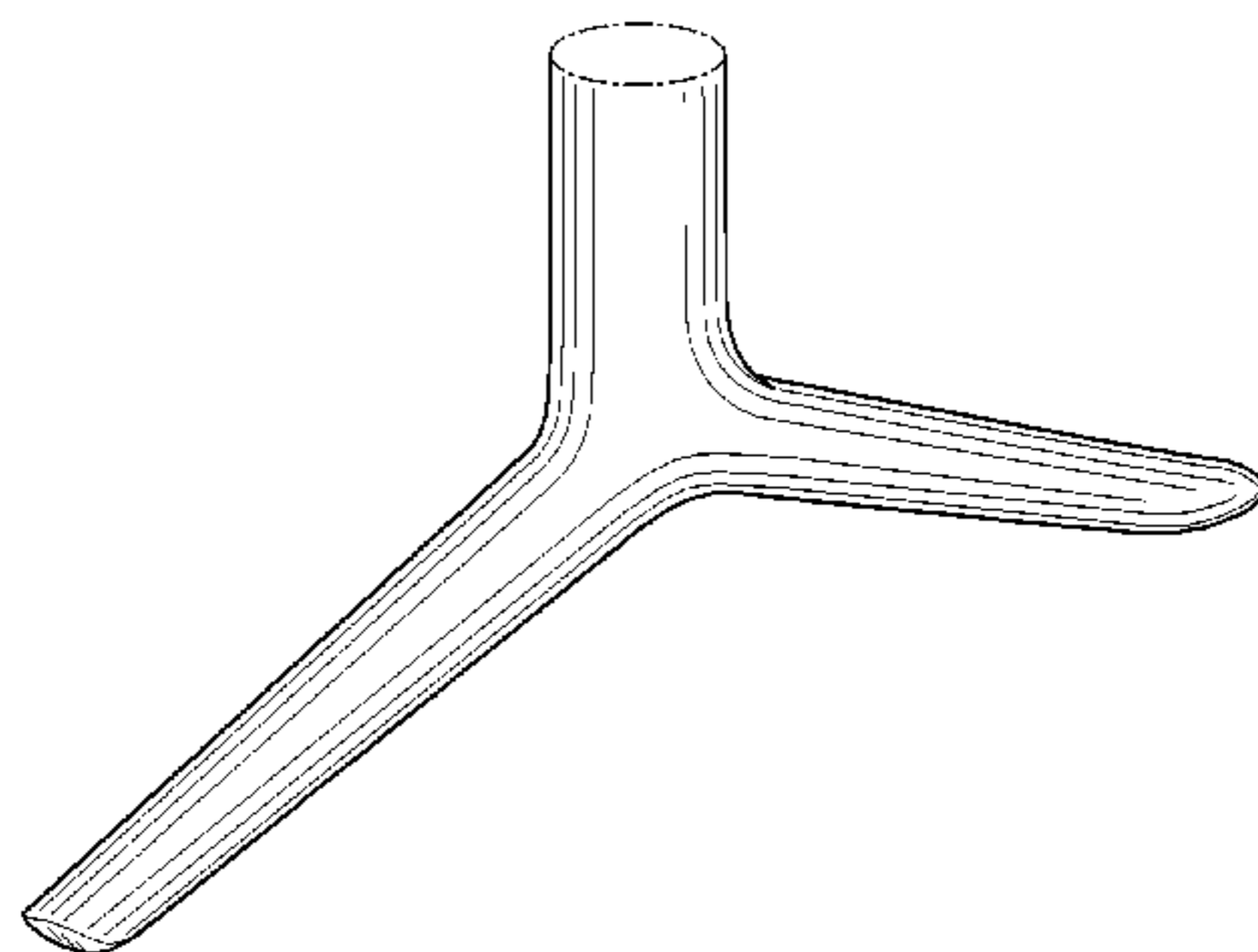


FIG. 1

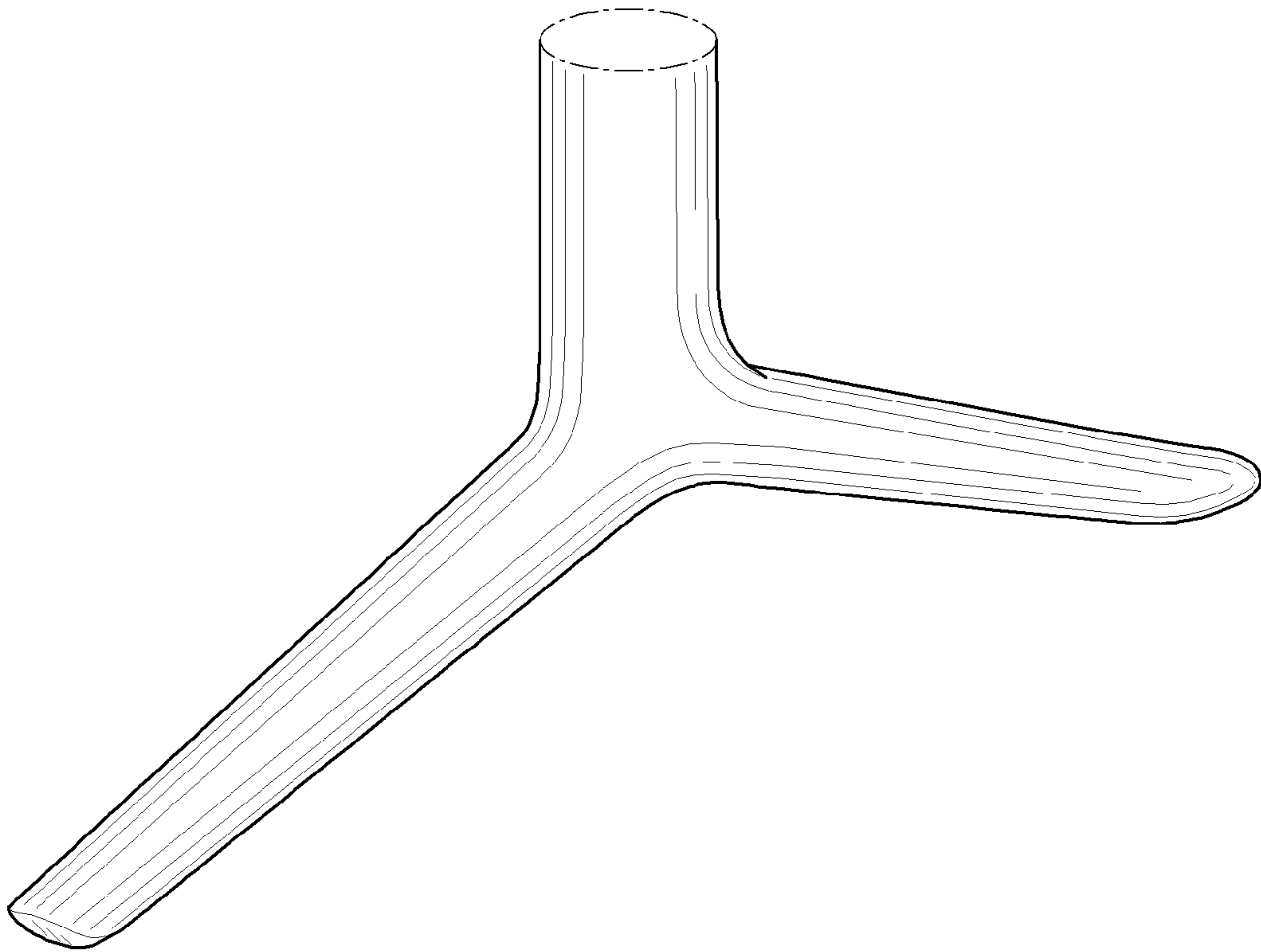


FIG. 2

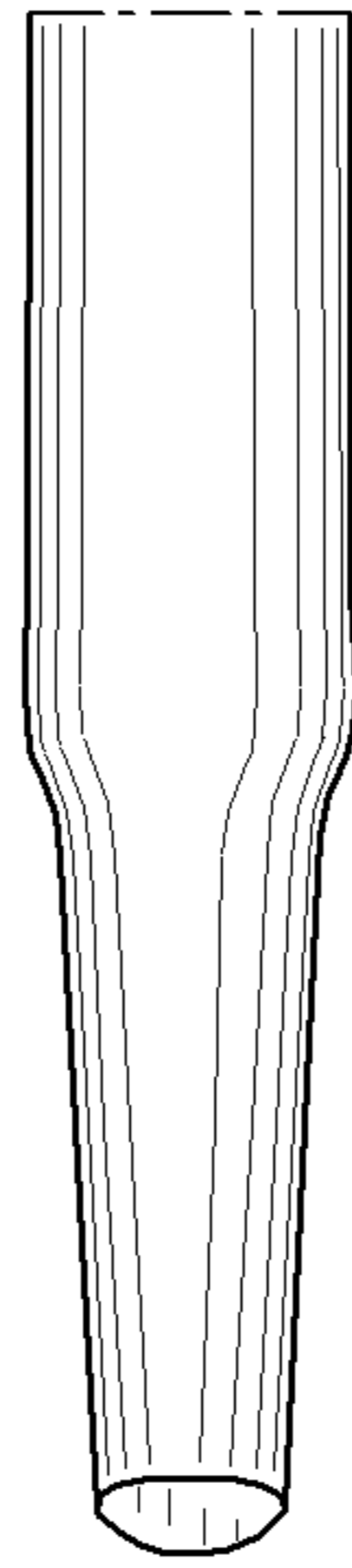


FIG. 3

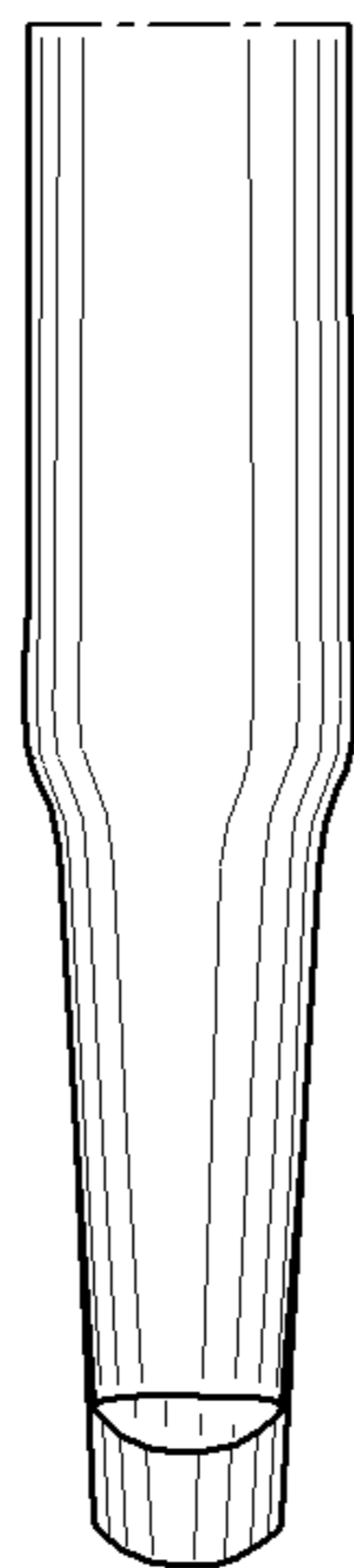


FIG. 4

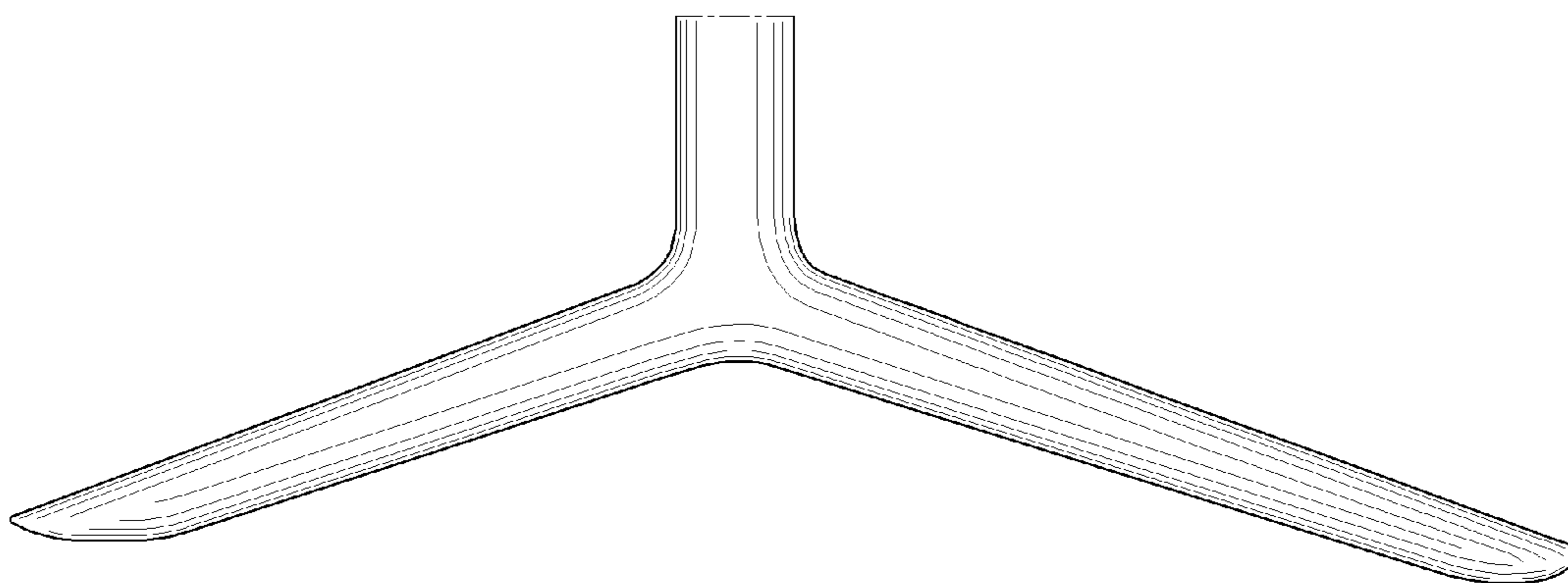


FIG. 5

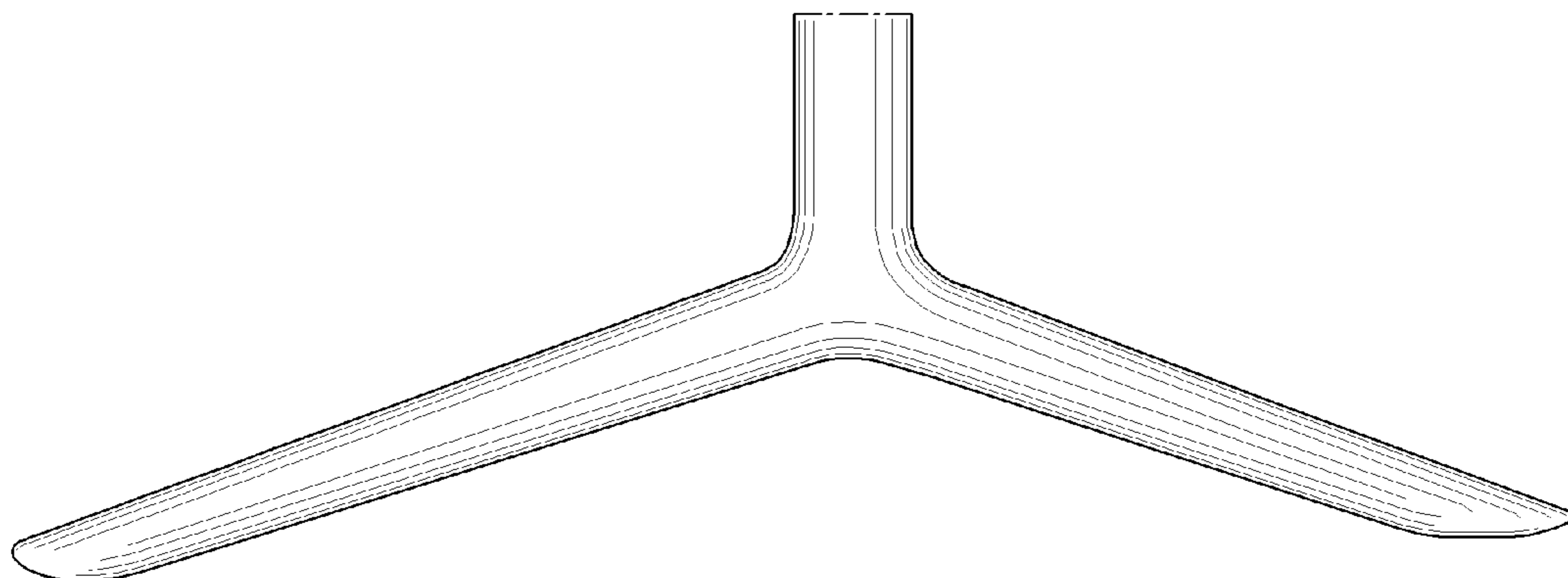


FIG. 6

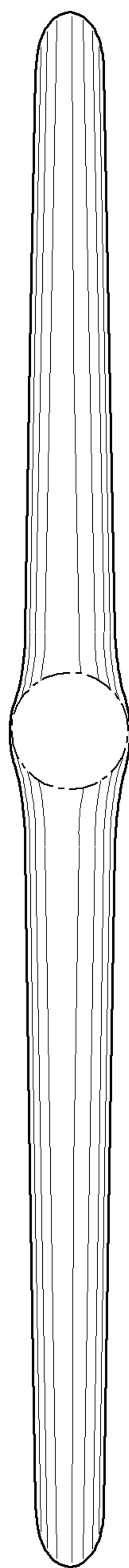


FIG. 7

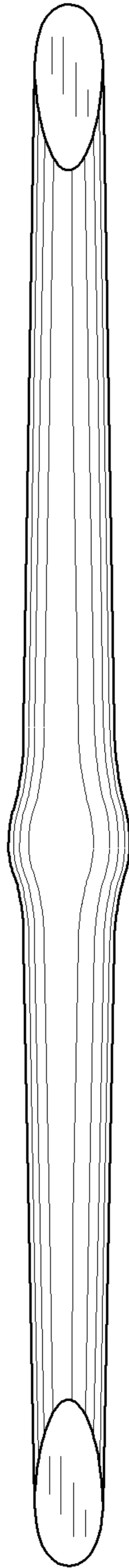


FIG. 8

