



US00D700186S

(12) **United States Design Patent**
Feng

(10) **Patent No.:** **US D700,186 S**

(45) **Date of Patent:** **** Feb. 25, 2014**

(54) **TABLET CASE**

(71) Applicant: **Youru Feng**, Guangzhou (CN)

(72) Inventor: **Youru Feng**, Guangzhou (CN)

(**) Term: **14 Years**

(21) Appl. No.: **29/466,528**

(22) Filed: **Sep. 9, 2013**

(30) **Foreign Application Priority Data**

Mar. 15, 2013 (CN) 2013 3 0066459

(51) **LOC (10) Cl.** **08-07**

(52) **U.S. Cl.**

USPC **D14/447**

(58) **Field of Classification Search**

USPC D14/447, 451, 457, 432, 434, 439, 440,
D14/217, 238.1, 250, 251, 253; D6/406.1,
D6/406.2, 406.3, 406.4, 406.5, 406.6;
D12/415; D13/108, 110; D8/363;
D21/333; 248/917-924, 133, 136, 139,
248/150, 176.1, 188.6, 444; 361/679.09,
361/679.21, 679.22, 679.24, 679.26,
361/679.27, 679.28, 679.3, 679.55, 679.56,
361/709

See application file for complete search history.

(56) **References Cited**

U.S. PATENT DOCUMENTS

D672,353 S * 12/2012 Liu D14/440
D674,800 S * 1/2013 Kim D14/440

D676,050 S * 2/2013 Sanz D14/440
D677,668 S * 3/2013 Phillips et al. D14/440
D678,291 S * 3/2013 Phillips et al. D14/440
D680,120 S * 4/2013 Cho et al. D14/440
D686,628 S * 7/2013 Hall D14/440
D688,251 S * 8/2013 Akana et al. D14/440
D689,501 S * 9/2013 Fong D14/447
D690,305 S * 9/2013 Wen D14/440
D691,611 S * 10/2013 Kirzinger D14/440
2012/0268891 A1 * 10/2012 Cencioni 361/679.55
2013/0223005 A1 * 8/2013 Smith et al. 361/679.55

* cited by examiner

Primary Examiner — Angela J Lee

(74) *Attorney, Agent, or Firm* — Mintz, Levin, Cohn, Ferris,
Glovsky & Popeo, P.C.

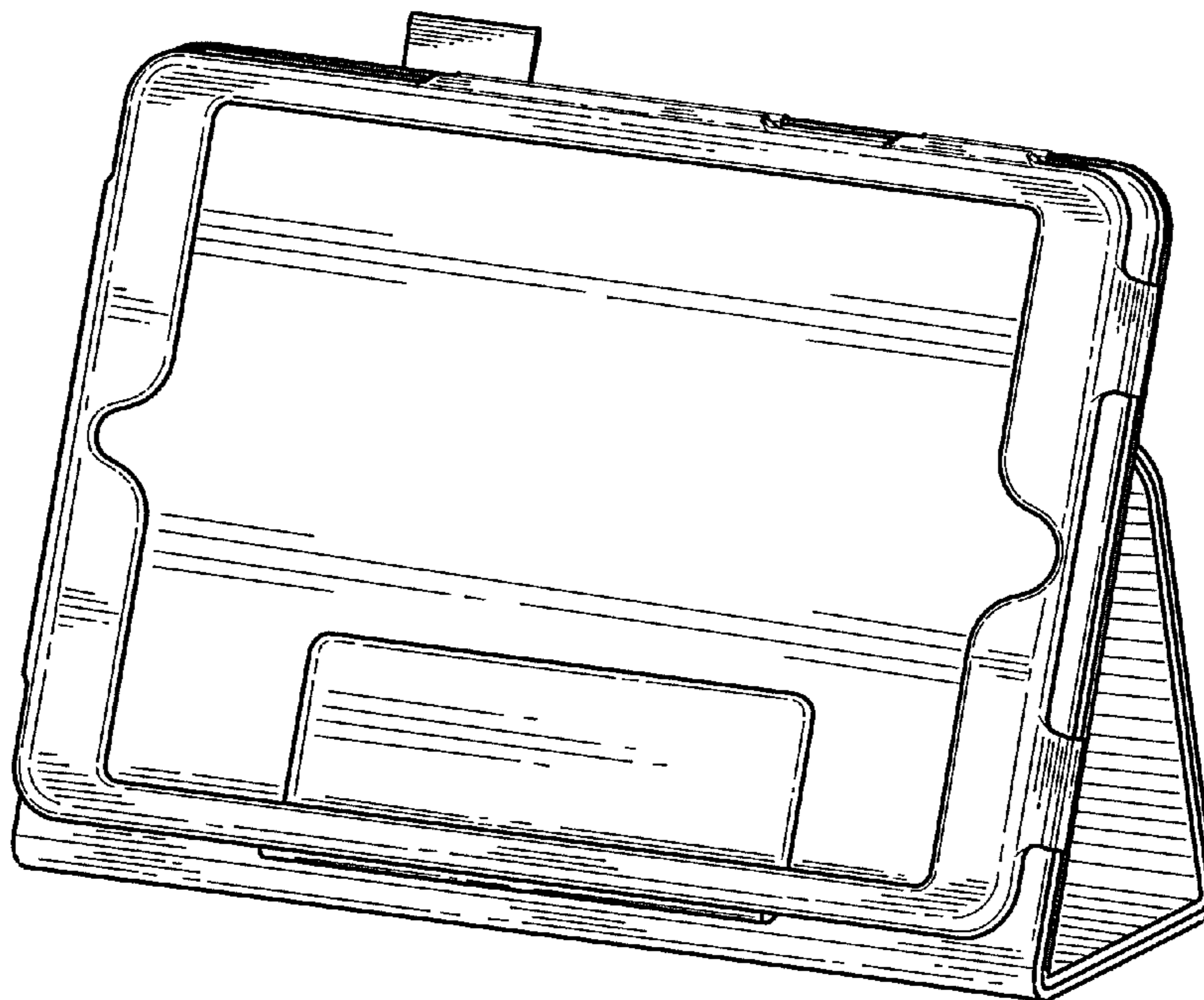
(57) **CLAIM**

The ornamental design for a tablet case, as shown and described.

DESCRIPTION

FIG. 1 is a Bottom View of the tablet case;
FIG. 2 is a Rear View thereof;
FIG. 3 is a Top View thereof;
FIG. 4 is a Front View thereof;
FIG. 5 is a Right View thereof;
FIG. 6 is a Left View thereof;
FIG. 7 is a Perspective View thereof;
FIG. 8 is a Perspective View in USE stage thereof; and,
FIG. 9 is a top view thereof, showing the table case in an open position.

1 Claim, 9 Drawing Sheets



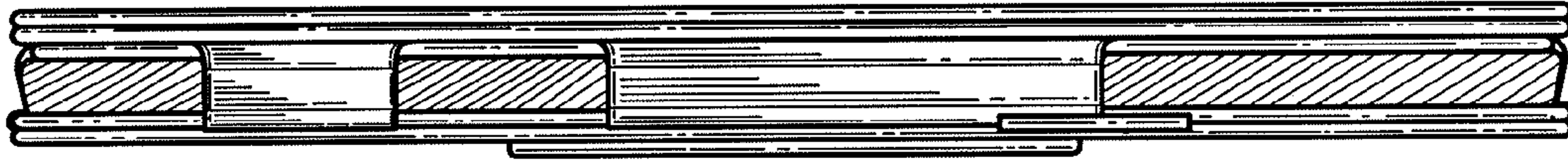


Fig. 1

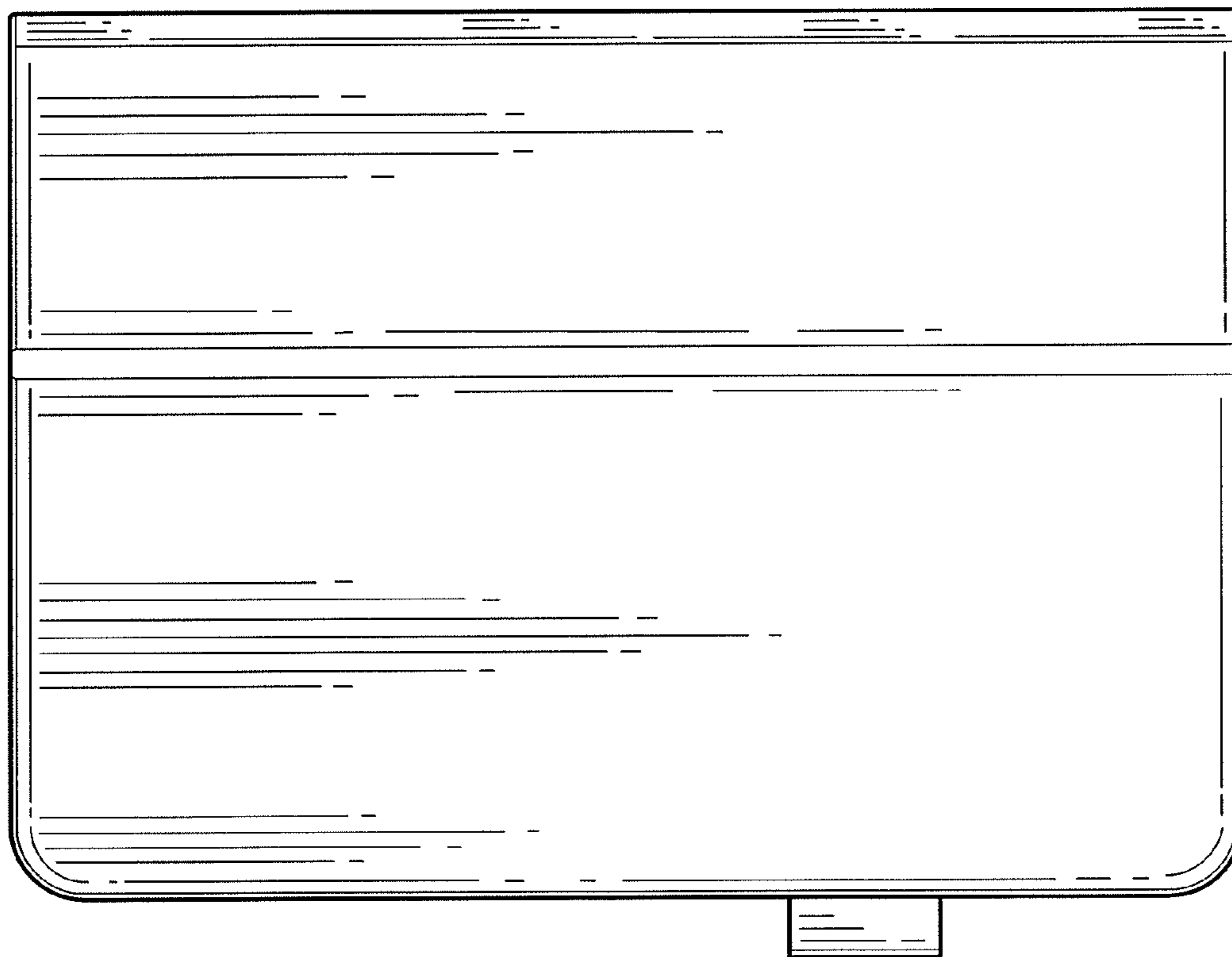


Fig. 2

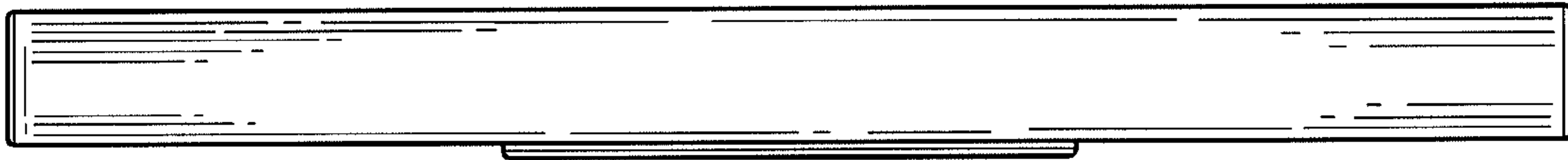


Fig. 3

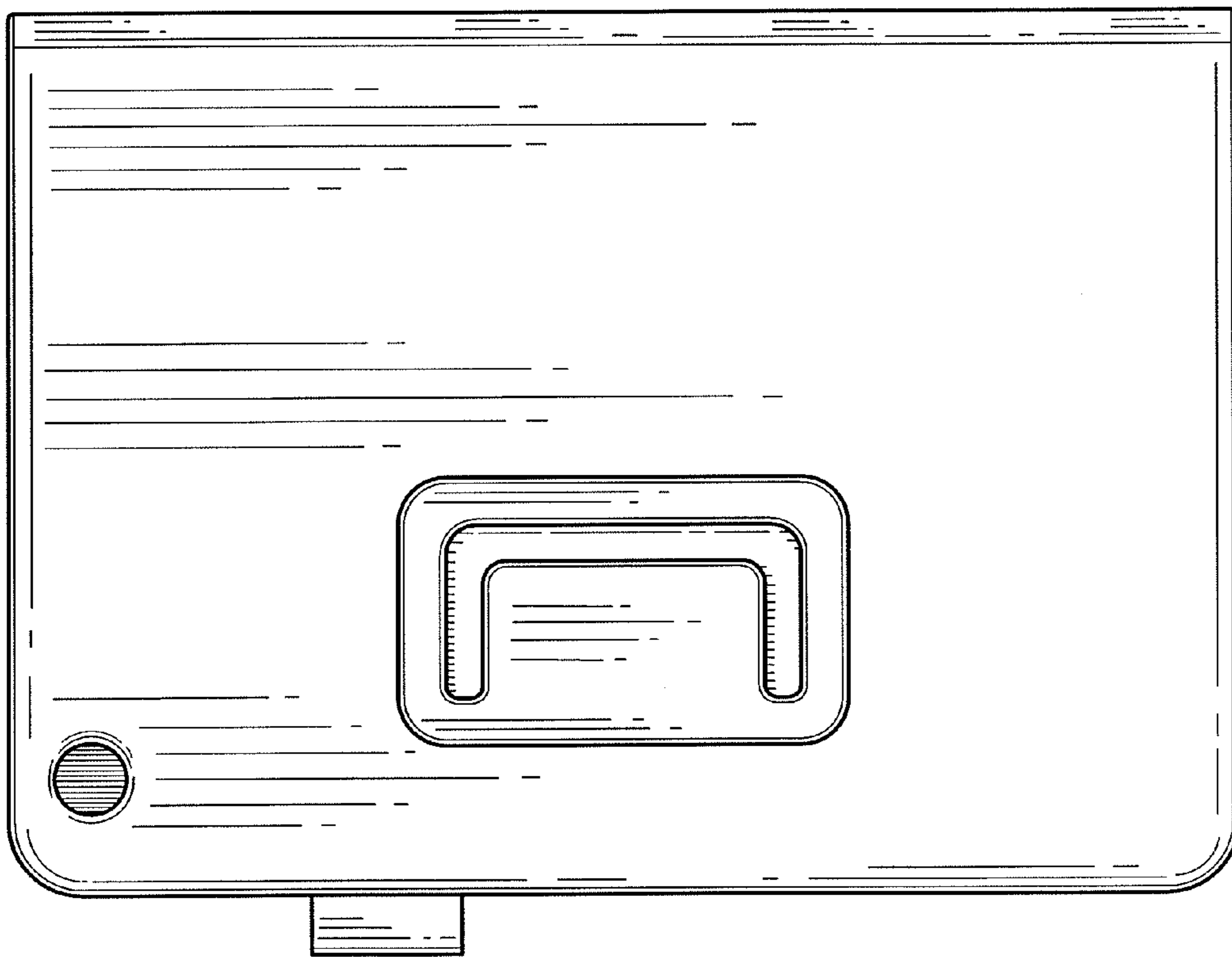


Fig. 4

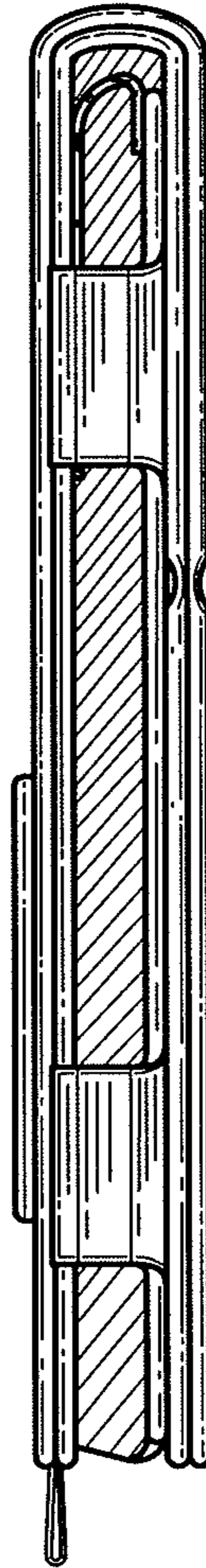


Fig. 5



Fig. 6

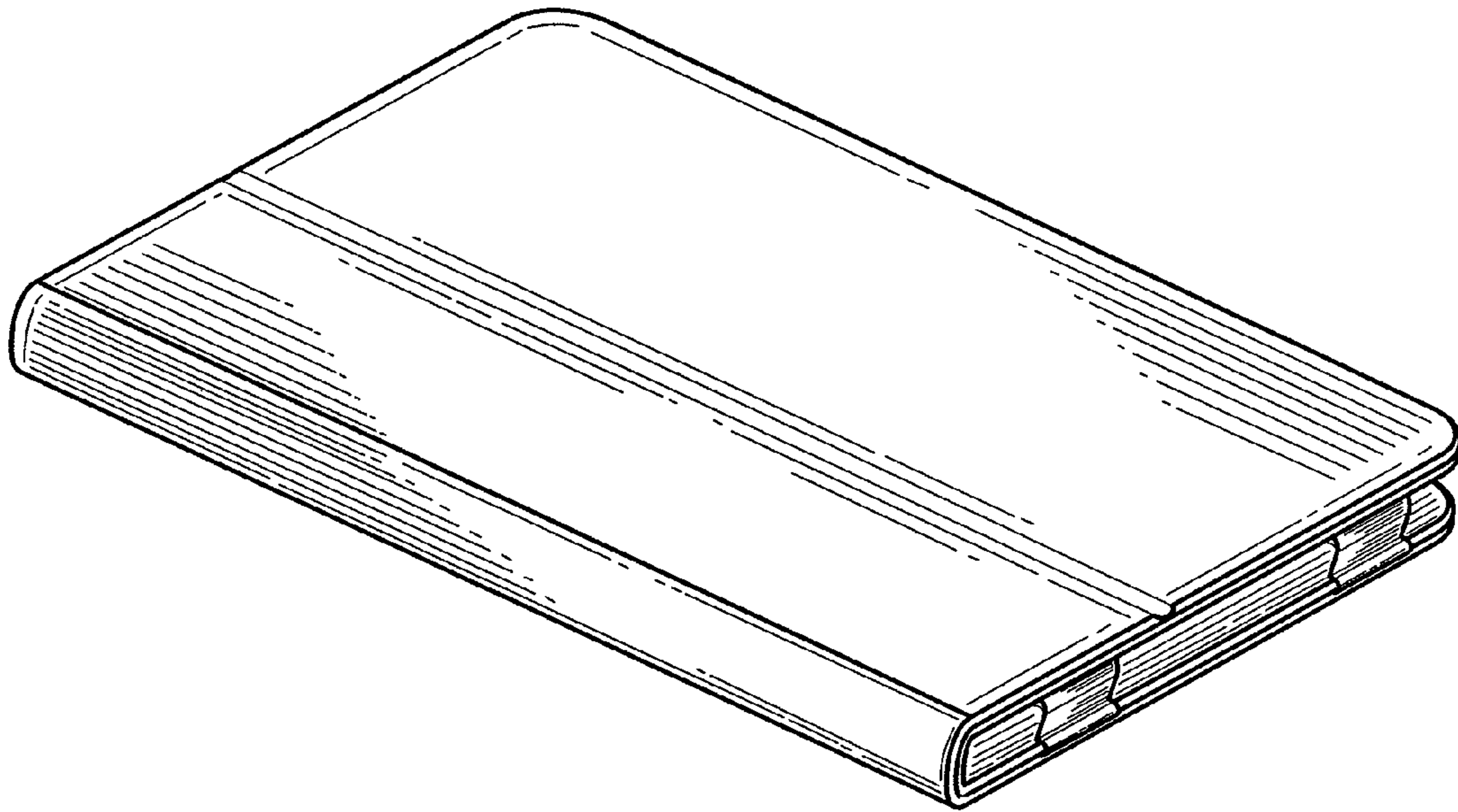


Fig. 7

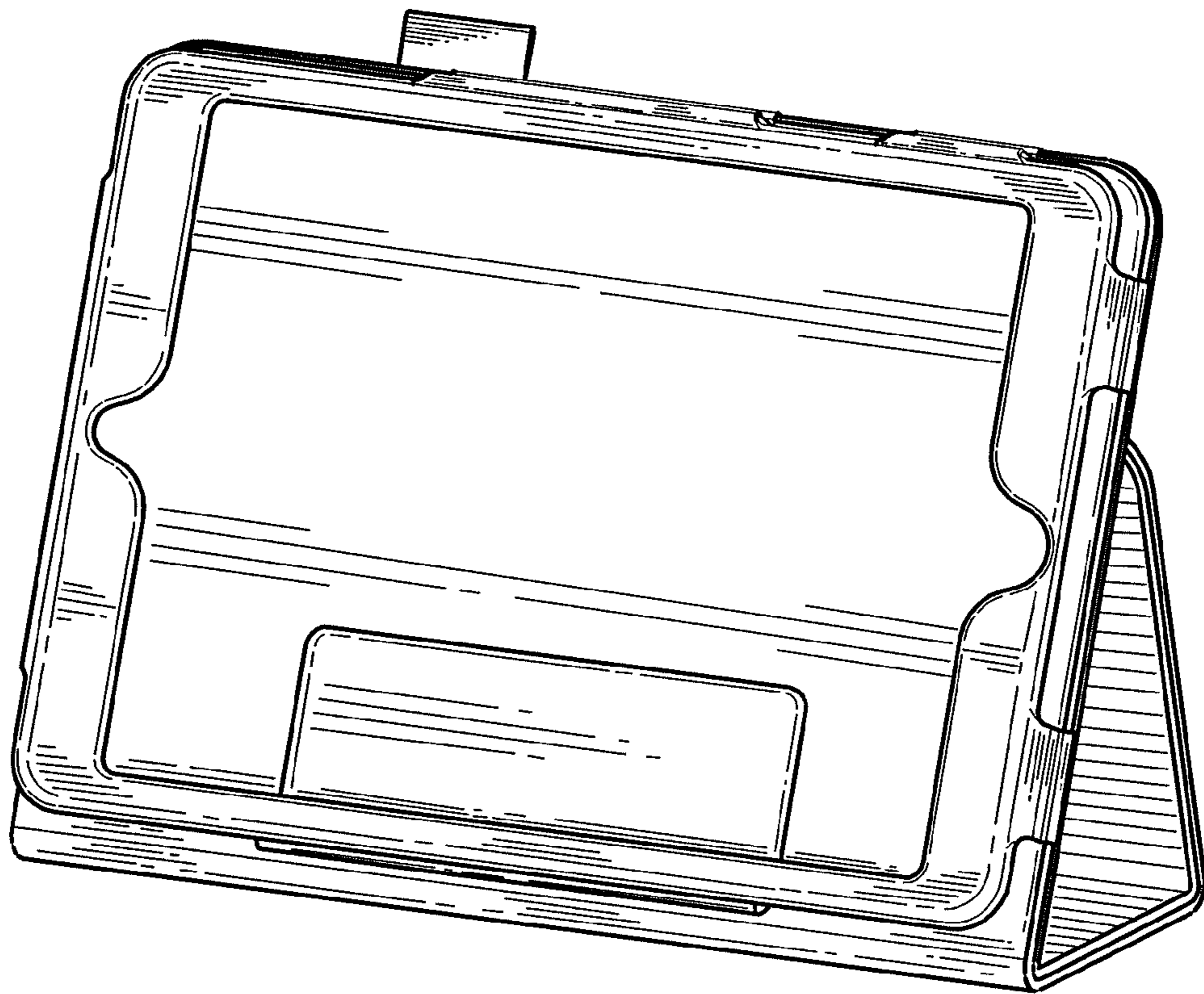


Fig. 8

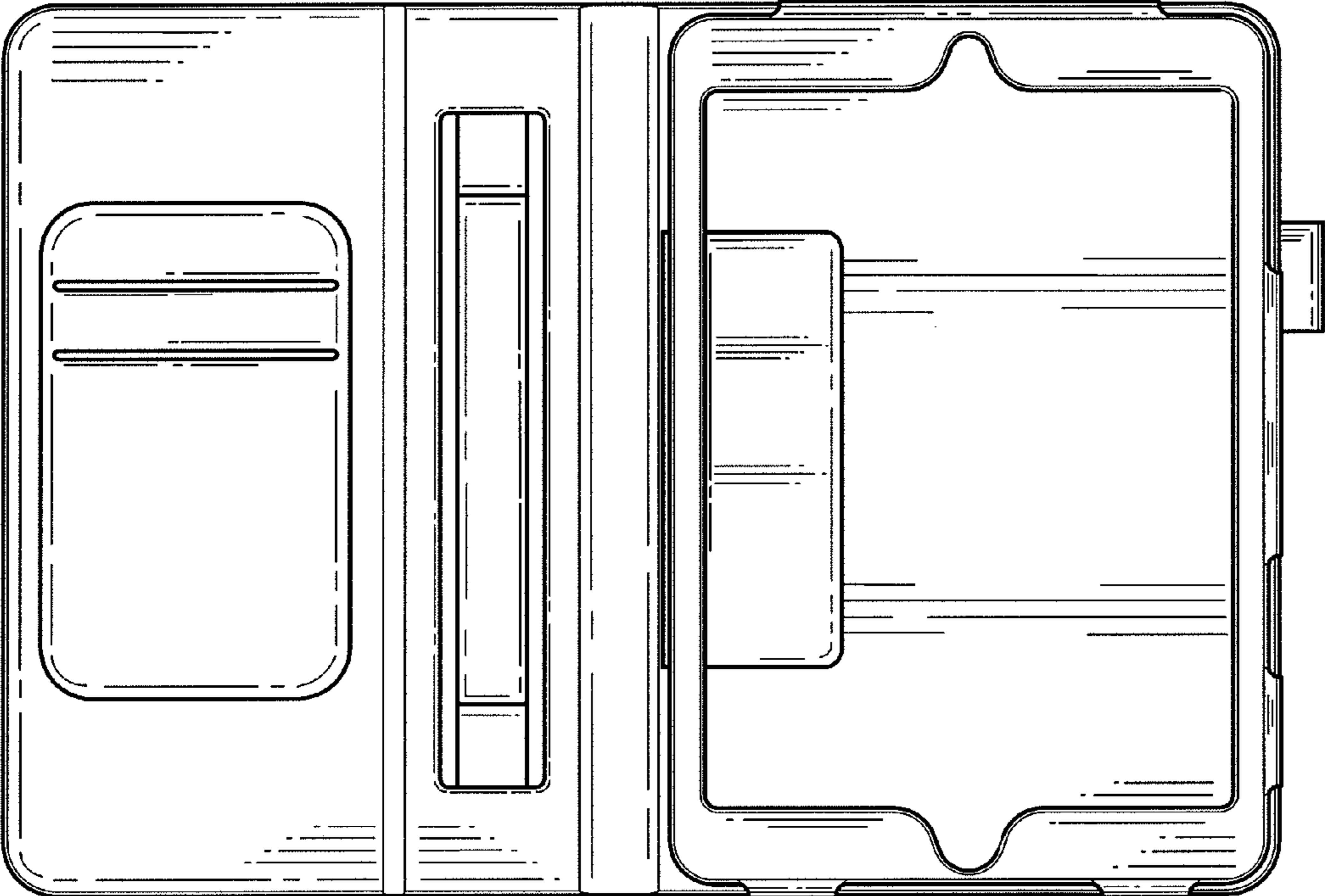


Fig. 9