



US00D700185S

(12) **United States Design Patent**
Fujioka

(10) **Patent No.:** **US D700,185 S**

(45) **Date of Patent:** **** Feb. 25, 2014**

(54) **MOUNT FOR TABLET COMPUTER**

(71) Applicant: **Robb Fujioka**, Manhattan Beach, CA
(US)

(72) Inventor: **Robb Fujioka**, Manhattan Beach, CA
(US)

(**) Term: **14 Years**

(21) Appl. No.: **29/453,839**

(22) Filed: **May 3, 2013**

(51) **LOC (10) Cl.** **08-07**

(52) **U.S. Cl.**
USPC **D14/447**

(58) **Field of Classification Search**
USPC D14/447, 451, 457, 432, 434, 439, 440,
D14/217, 238.1, 250, 251, 253, 348, 356;
D6/406.1, 406.2, 406.3, 406.4, 406.5,
D6/406.6; D12/415; D13/108, 110;
D8/363; D21/333; 248/917-924, 133,
248/136, 139, 150, 176.1, 188.6, 444;
361/679.09, 679.21, 679.22, 679.24,
361/679.26, 679.27, 679.28, 679.3, 679.55,
361/679.56, 709; D3/218
See application file for complete search history.

(56) **References Cited**

U.S. PATENT DOCUMENTS

D559,839 S * 1/2008 Vitito D14/239
D599,355 S * 9/2009 Richter D14/447

D614,631 S * 4/2010 Chiang D14/447
D619,079 S * 7/2010 Bailo D12/416
D663,726 S * 7/2012 Gourley D14/251
D664,147 S * 7/2012 Zhao et al. D14/452
D670,295 S * 11/2012 Prescott et al. D14/447
D684,979 S * 6/2013 Chun D14/447
D687,442 S * 8/2013 Nishimura D14/447
D690,689 S * 10/2013 Wikel D14/253
D690,707 S * 10/2013 Minn et al. D14/447
D692,897 S * 11/2013 Luijben D14/447
D693,352 S * 11/2013 Gelsomini et al. D14/447

* cited by examiner

Primary Examiner — Angela J Lee

(74) *Attorney, Agent, or Firm* — Manatt, Phelps & Phillips,
LLP

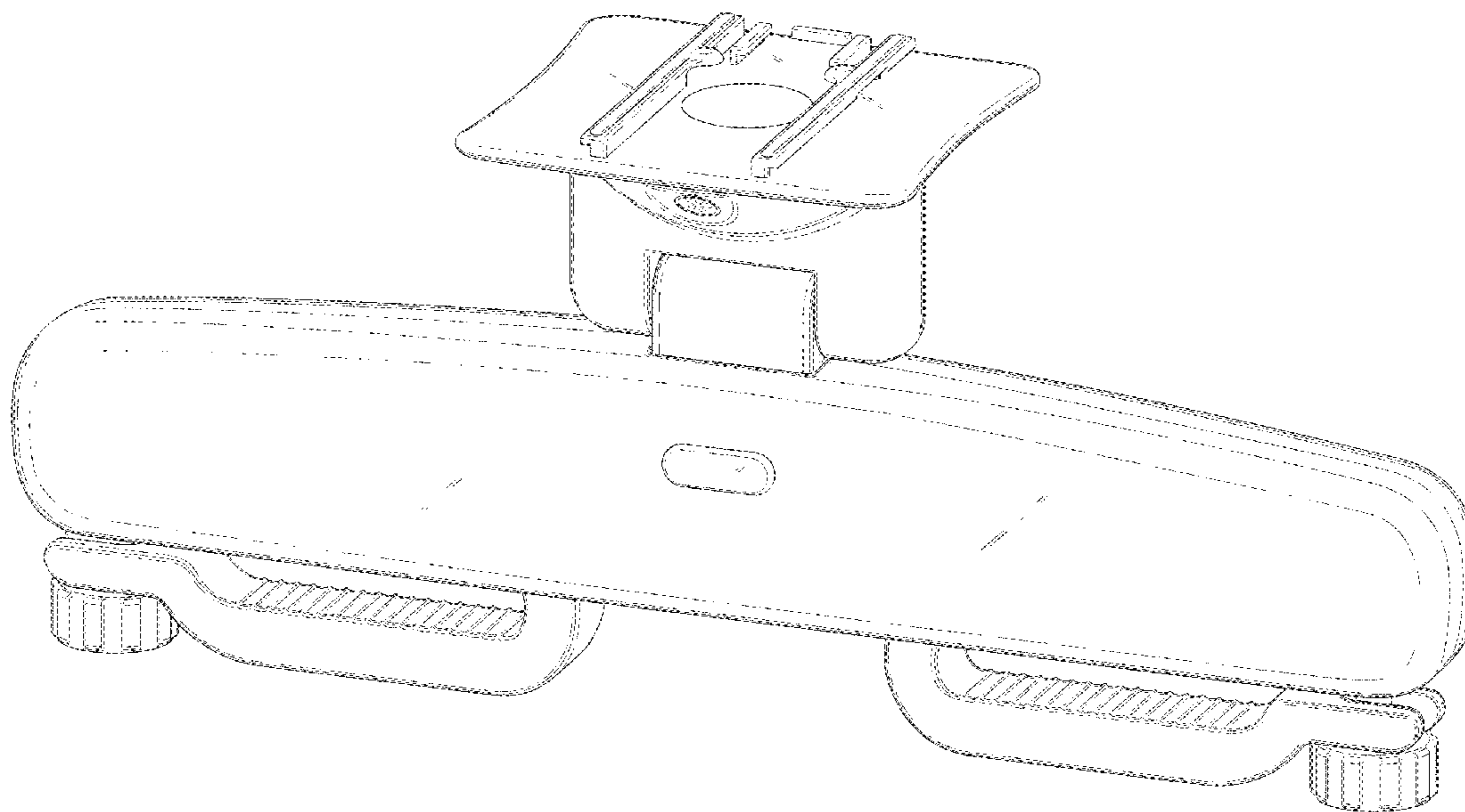
(57) **CLAIM**

The ornamental design for a mount for a tablet computer, as shown and described.

DESCRIPTION

FIG. 1 is a top perspective view of a mount for tablet computer showing a new design;
FIG. 2 is a top plan view thereof;
FIG. 3 is a bottom plan view thereof;
FIG. 4 is a left side elevation view thereof;
FIG. 5 is a back elevation view thereof; and,
FIG. 6 is a front elevation view thereof.
The broken line portions in all views are for illustrative purposes only and form no part of the claimed design.

1 Claim, 5 Drawing Sheets



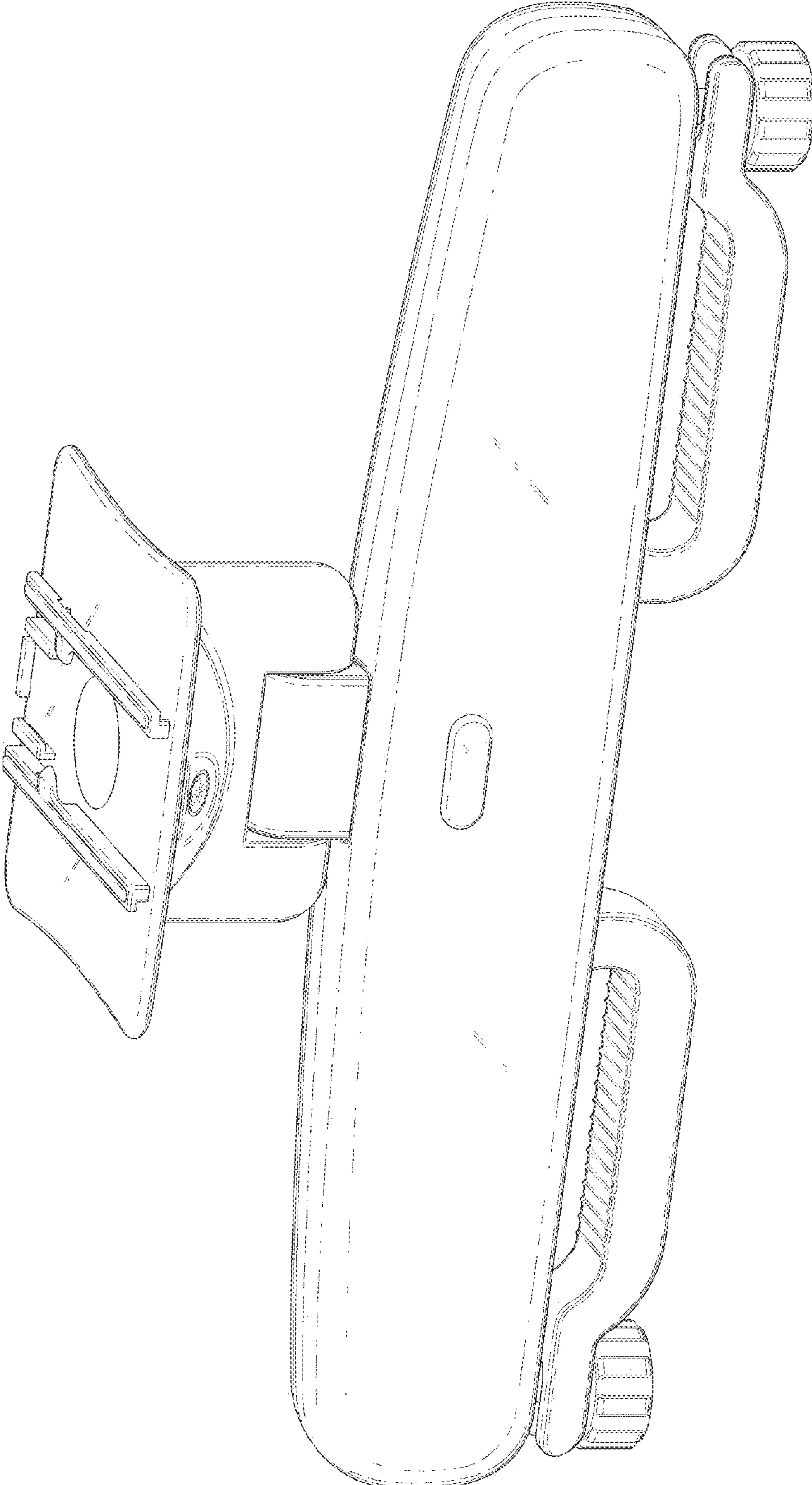


Fig. 1

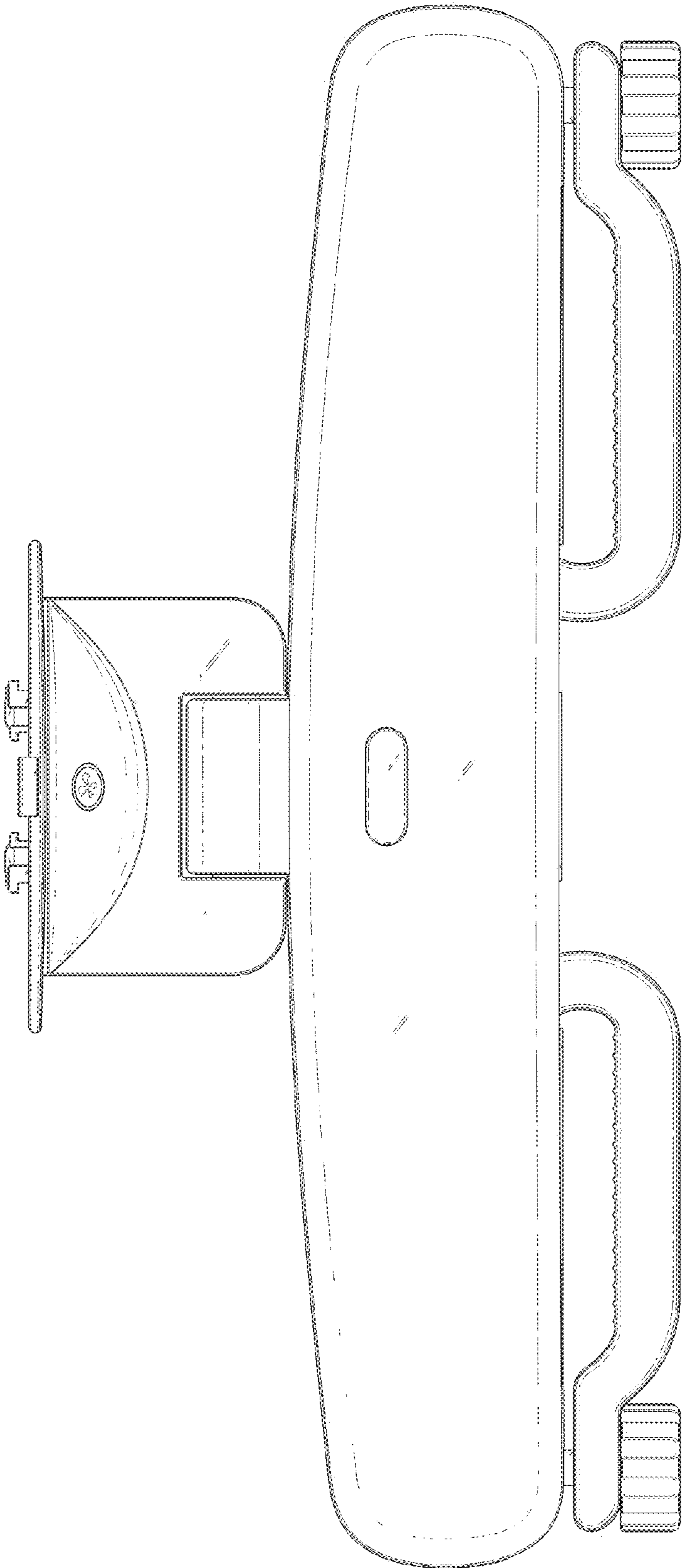


Fig. 2

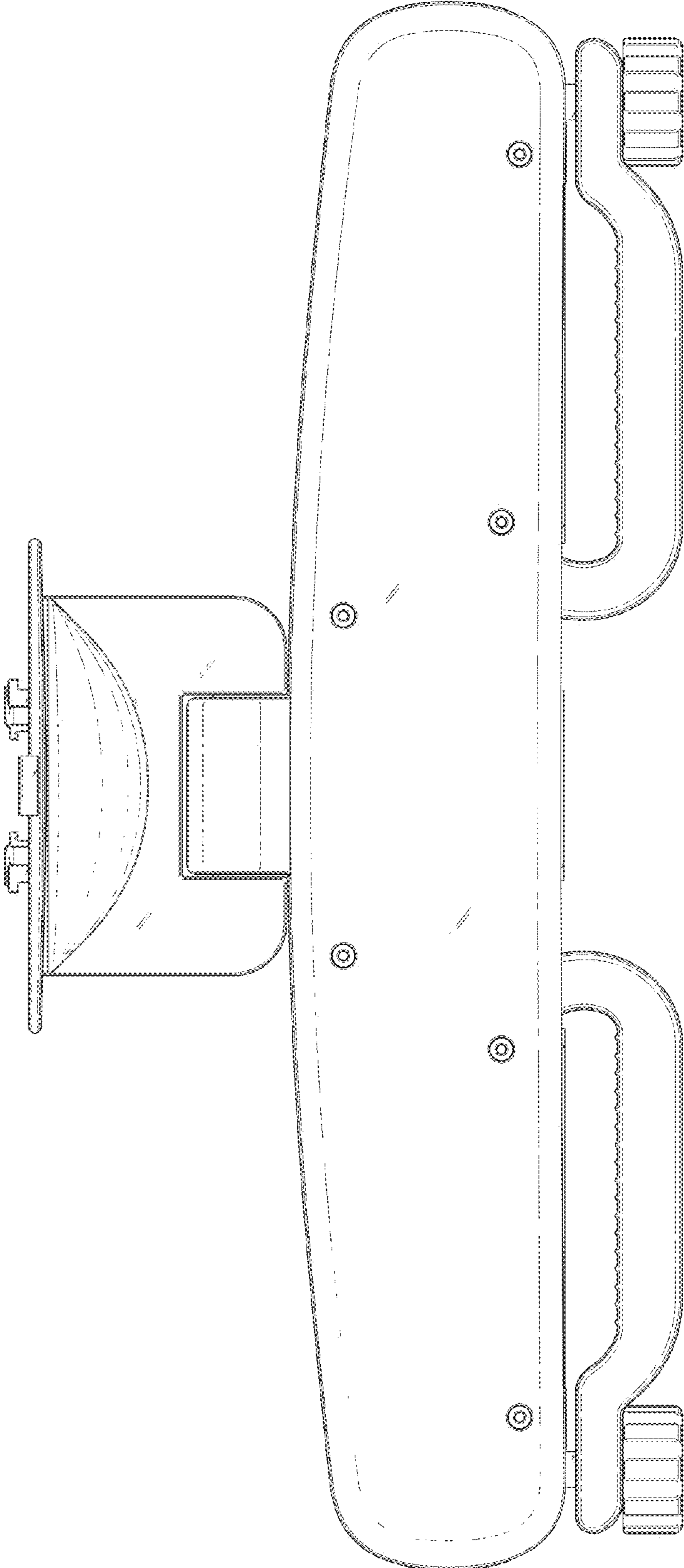


Fig. 3

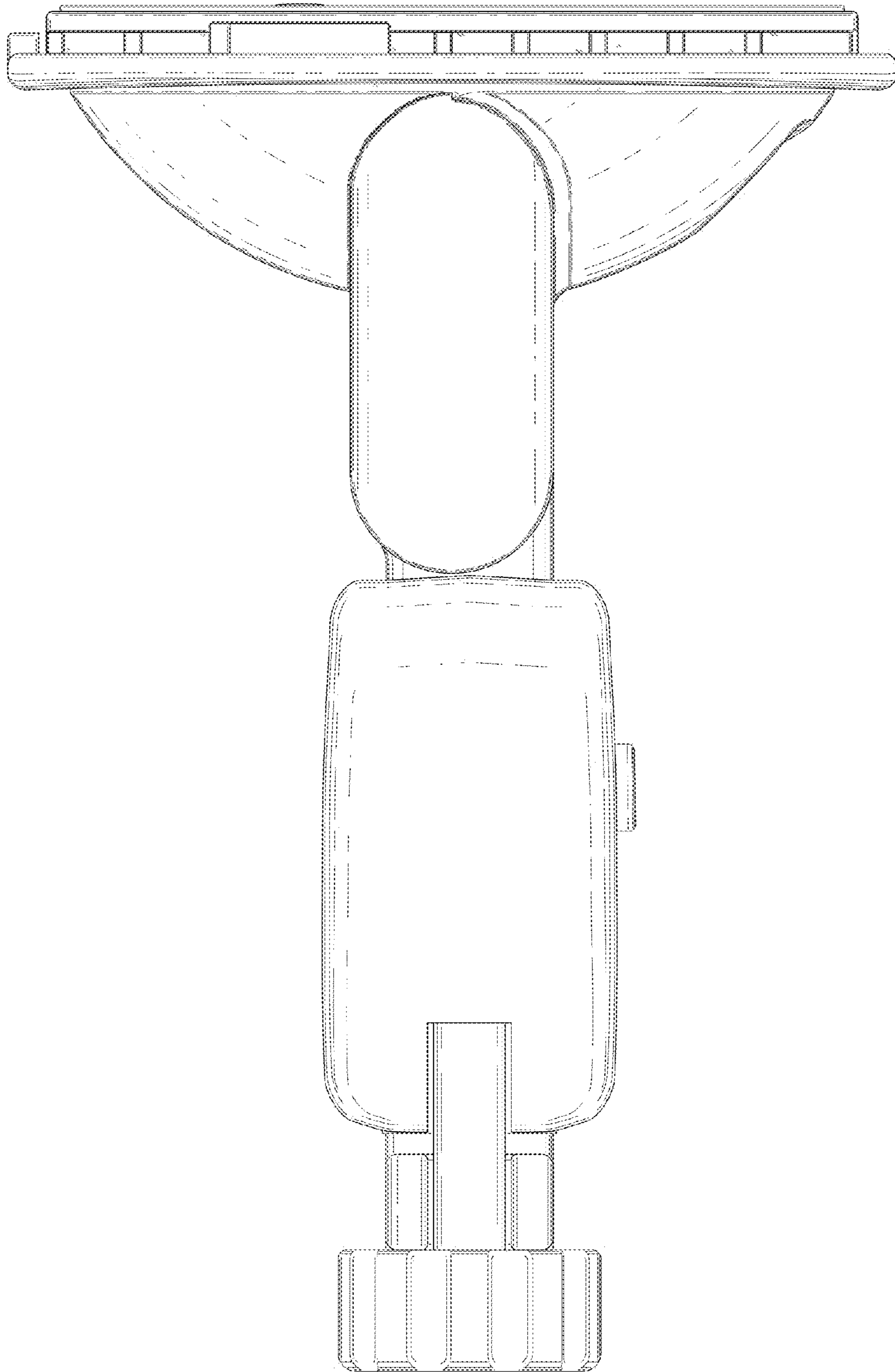


Fig. 4

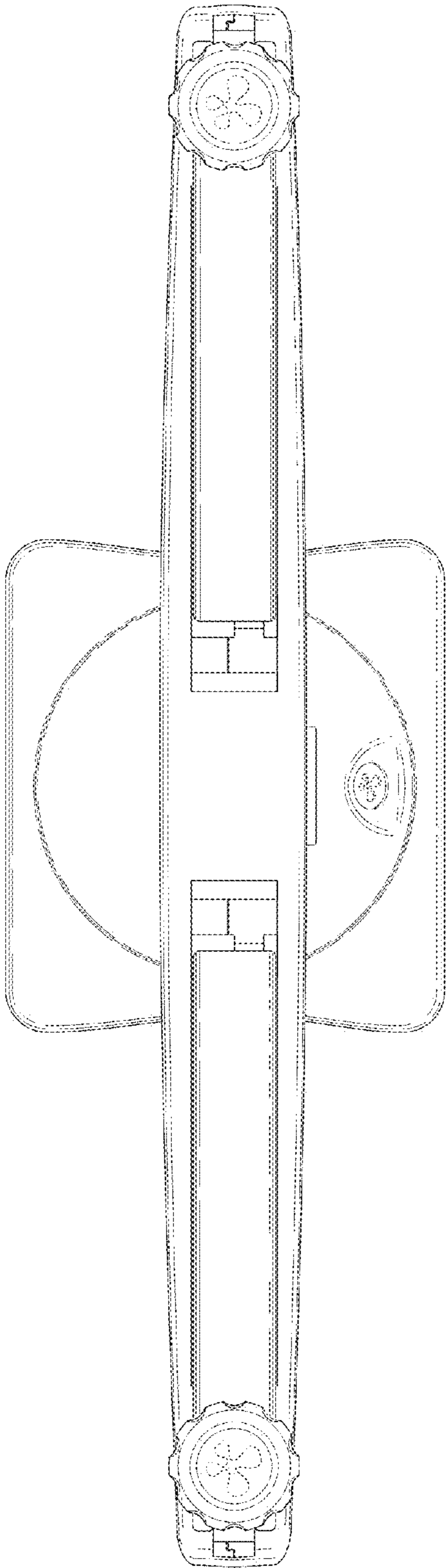


Fig. 5

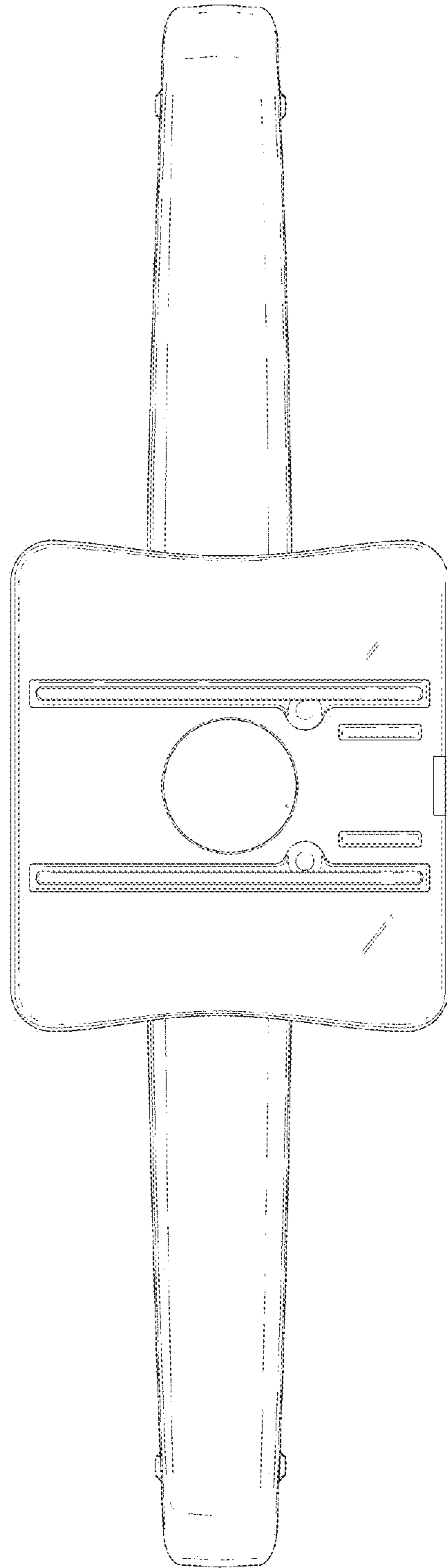


Fig. 6