

US00D700184S

(12) **United States Design Patent**
Boldetti et al.

(10) **Patent No.:** **US D700,184 S**
(45) **Date of Patent:** **** Feb. 25, 2014**

- (54) **CASE**
- (71) Applicant: **Samsonite IP Holdings S.a r.l.**,
Luxembourg (LU)
- (72) Inventors: **Massimiliano Boldetti**, Castronno (IT);
Corrado Vecellio, Padua (IT)
- (73) Assignee: **Samsonite IP Holdings S.a r.l.**,
Luxembourg (LU)
- (**) Term: **14 Years**
- (21) Appl. No.: **29/453,177**
- (22) Filed: **Apr. 25, 2013**

(30) **Foreign Application Priority Data**

Nov. 14, 2012 (EM) 002136127-0007

- (51) **LOC (10) Cl.** **14-02**
- (52) **U.S. Cl.**
USPC **D14/440**
- (58) **Field of Classification Search**
USPC D14/250, 251, 253, 240, 217, 496, 440,
D14/203.3, 203.4, 203.5, 203.8, 439;
D3/218, 215, 201; 220/4.02;
248/309.1; 361/679.56; 379/426,
379/433.11, 455; 455/575.1, 575.8;
190/100; 206/305, 320
See application file for complete search history.

(56) **References Cited**

U.S. PATENT DOCUMENTS

- 2,354,782 A * 8/1944 Stradling et al. 281/16
- D230,376 S * 2/1974 Andrew D19/91
- 4,259,568 A * 3/1981 Dynesen 235/1 D
- 4,703,160 A * 10/1987 Narishima et al. 235/1 D

- 4,718,550 A * 1/1988 Johnson 206/387.13
- D323,937 S * 2/1992 Solomon D3/299
- 5,375,076 A * 12/1994 Goodrich et al. 361/679.17
- 5,480,118 A * 1/1996 Cross 248/459
- D513,008 S * 12/2005 Takizawa et al. D14/447
- D524,051 S * 7/2006 Krueger D3/303
- 7,191,926 B1 * 3/2007 Costantino et al. 224/605
- 7,318,521 B2 * 1/2008 Lau 206/45.24
- D582,405 S * 12/2008 Andre et al. D3/299
- 7,542,052 B2 * 6/2009 Solomon et al. 345/659
- 7,561,415 B2 * 7/2009 Liou et al. 361/679.26
- D637,814 S * 5/2011 Akana et al. D3/303
- D641,348 S * 7/2011 Kim et al. D14/250
- D646,266 S * 10/2011 Kim et al. D14/250
- D657,354 S * 4/2012 Kim D14/250
- D658,877 S * 5/2012 Janus D3/301
- D659,139 S * 5/2012 Gengler D14/392
- D663,304 S * 7/2012 Akana et al. D14/440
- 8,230,992 B2 * 7/2012 Law et al. 206/320
- D665,812 S * 8/2012 Huang et al. D14/447

(Continued)

OTHER PUBLICATIONS

U.S. Appl. No. 29/453,174, filed Apr. 25, 2013, Boldetti et al.

Primary Examiner — Cynthia Underwood
(74) *Attorney, Agent, or Firm* — Dorsey & Whitney LLP

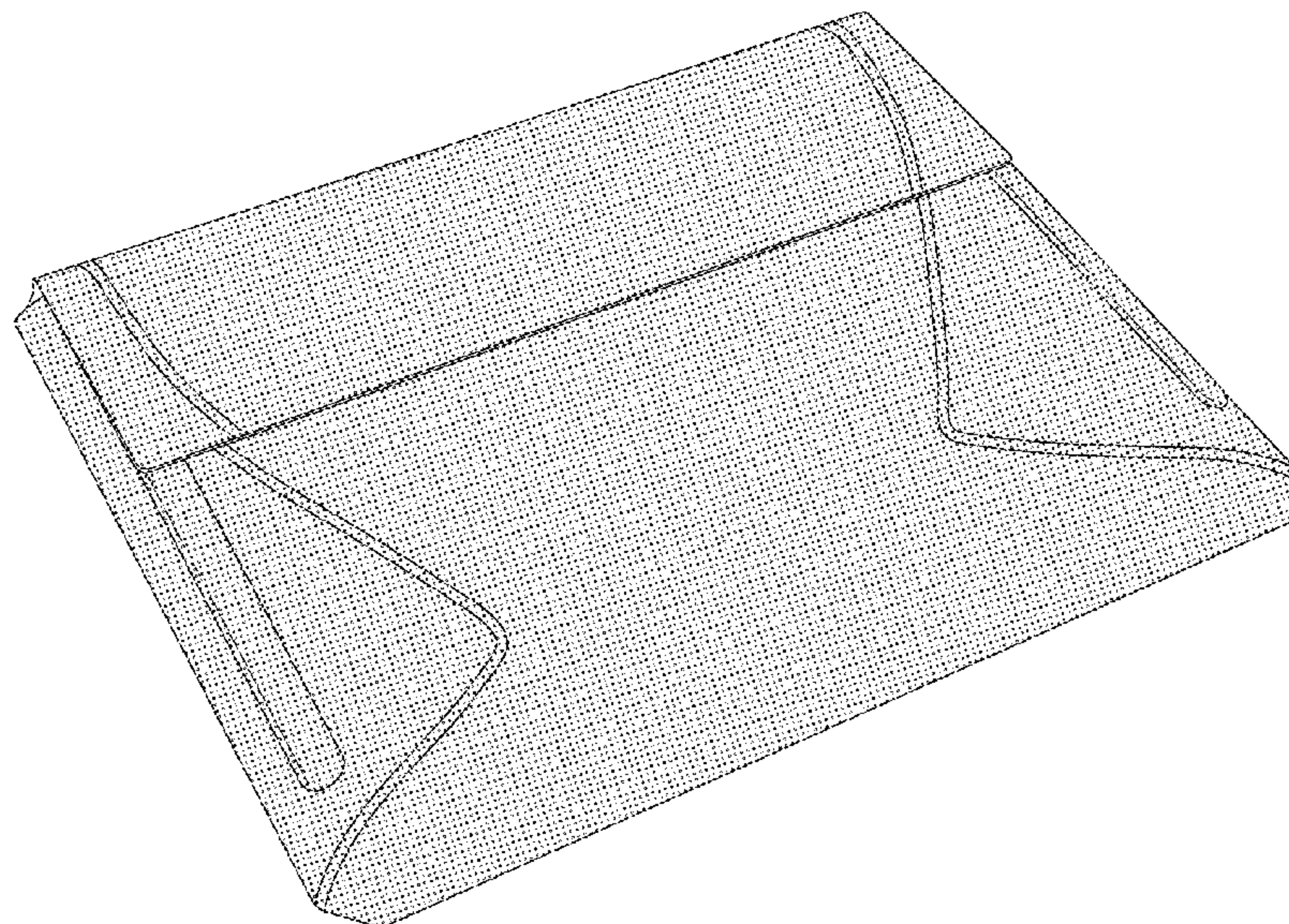
(57) **CLAIM**

The ornamental design for a case, as shown and described.

DESCRIPTION

FIG. 1 shows a front perspective view of a case;
FIG. 2 shows a front view of the case of FIG. 1;
FIG. 3 shows a rear view of the case of FIG. 1;
FIG. 4 shows a left elevation view of the case of FIG. 1;
FIG. 5 shows a right elevation view of the case of FIG. 1;
FIG. 6 shows a top view of the case of FIG. 1; and,
FIG. 7 shows a bottom view of the case of FIG. 1.

1 Claim, 5 Drawing Sheets



(56)

References Cited

U.S. PATENT DOCUMENTS

8,235,208	B2 *	8/2012	Sirichai et al.	206/320				
D669,480	S *	10/2012	Piedra et al.	D14/440				
D670,703	S *	11/2012	Hasbrook et al.	D14/447				
D672,353	S *	12/2012	Liu	D14/440				
D672,781	S *	12/2012	Lu	D14/440				
D674,799	S *	1/2013	Kim	D14/440				
D677,261	S *	3/2013	Hsu et al.	D14/447				
D677,668	S *	3/2013	Phillips et al.	D14/440				
D678,272	S *	3/2013	Groene et al.	D14/345				
D679,279	S *	4/2013	Yang et al.	D14/440				
					D681,041	S *	4/2013	Phillips et al. D14/440
					D693,823	S *	11/2013	Chen et al. D14/440
					D695,296	S *	12/2013	Hsu
					2001/0040561	A1 *	11/2001	Weinzierl et al. 345/169
					2004/0202858	A1 *	10/2004	Lee
					2009/0017883	A1 *	1/2009	Lin
					2010/0110625	A1 *	5/2010	Chen
					2010/0294909	A1 *	11/2010	Hauser et al. 248/456
					2010/0300909	A1 *	12/2010	Hung
					2012/0043231	A1 *	2/2012	Perrier et al. 206/216
					2012/0170212	A1 *	7/2012	Gallouzi et al. 361/679.56
					2012/0194448	A1 *	8/2012	Rothkopf
					2012/0211613	A1 *	8/2012	Yang et al. 248/174

* cited by examiner

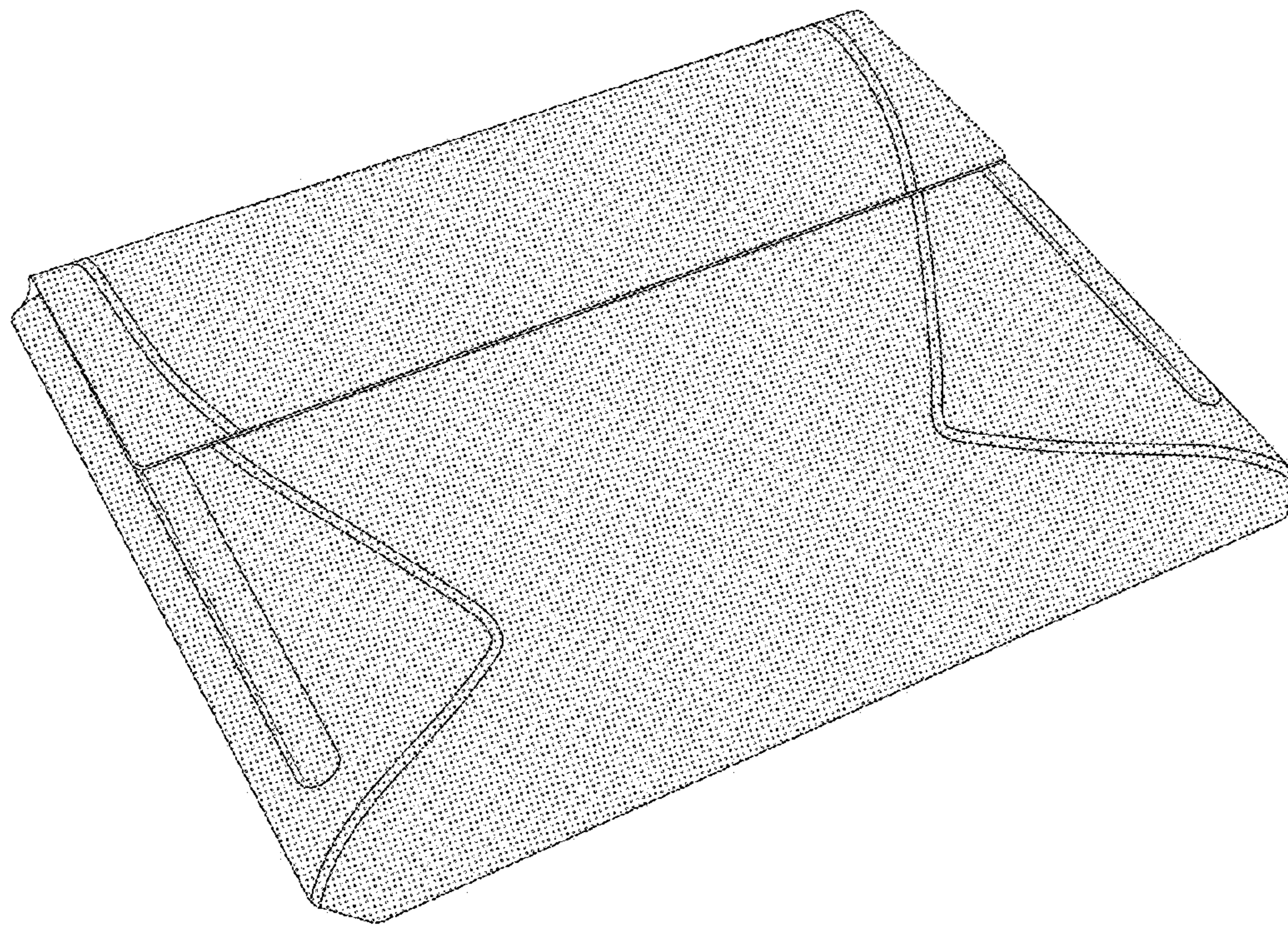


FIG. 1

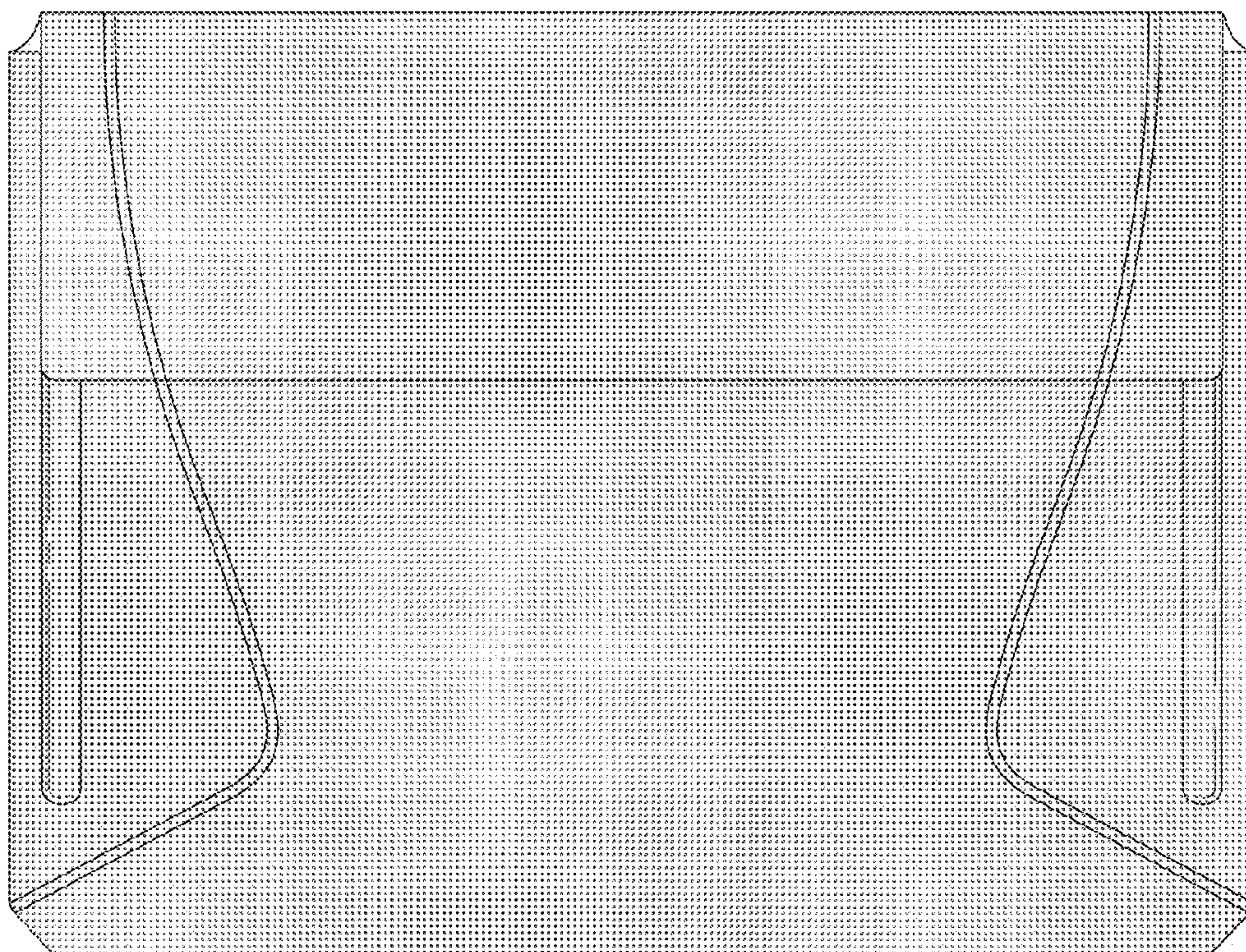


FIG.2

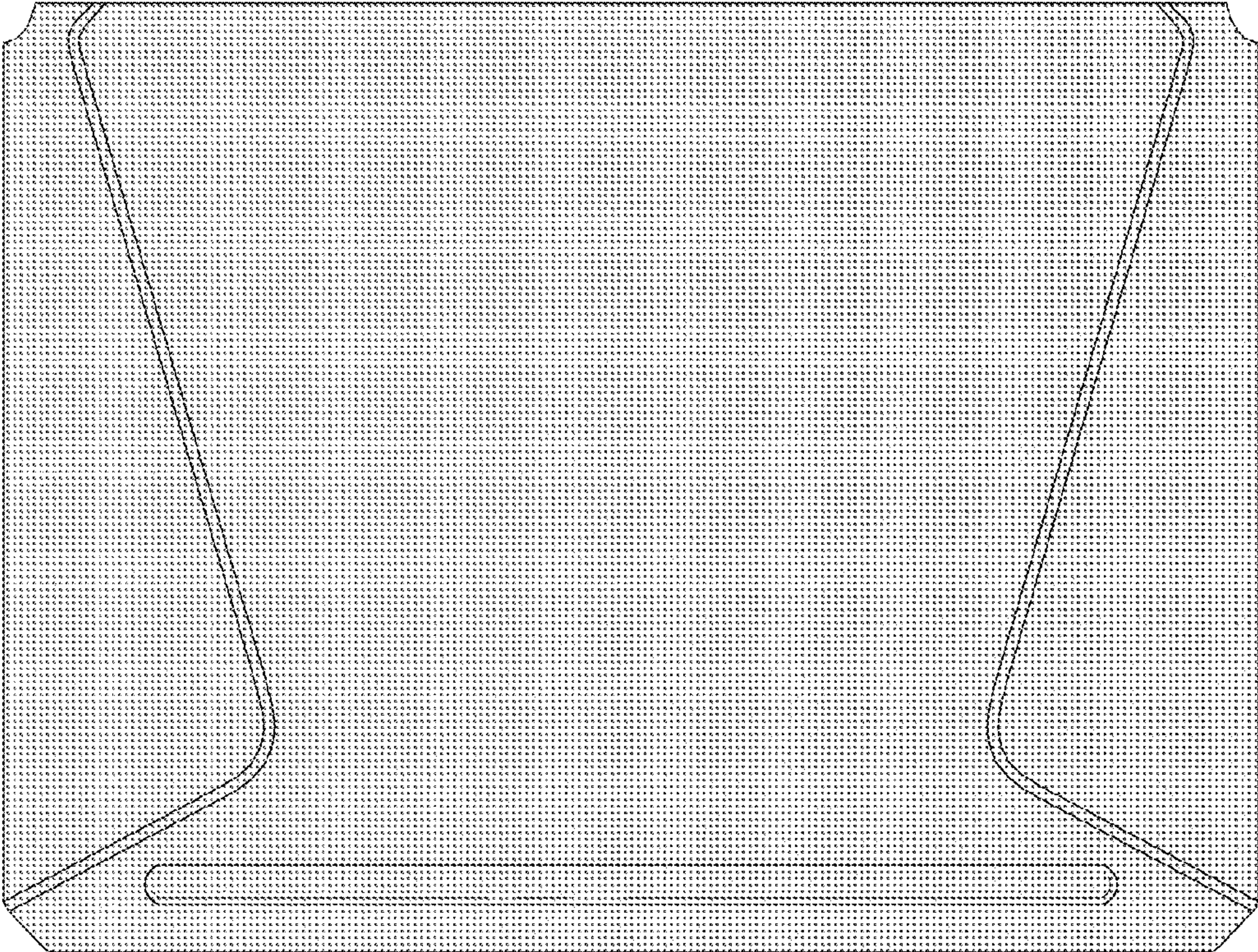


FIG. 3

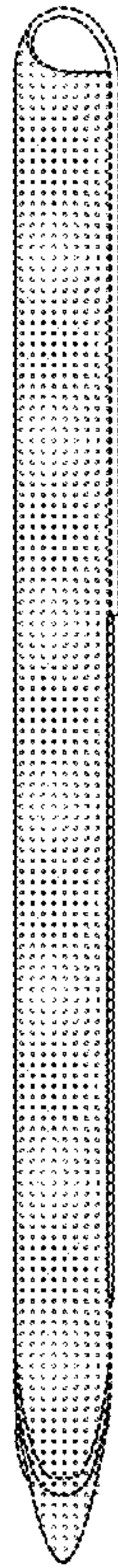


FIG. 4



FIG. 5



FIG. 6



FIG. 7