



US00D700183S

(12) **United States Design Patent**
Ridyard

(10) **Patent No.:** **US D700,183 S**

(45) **Date of Patent:** **** *Feb. 25, 2014**

(54) **COMPUTER ACCESSORY**

(71) Applicant: **Nifty Drives Ltd**, Waltham Forest (GB)

(72) Inventor: **Piers Ridyard**, Waltham Forest (GB)

(73) Assignee: **Nifty Drives Ltd**, Snaresbrook, London (GB)

(*) Notice: This patent is subject to a terminal disclaimer.

(**) Term: **14 Years**

(21) Appl. No.: **29/433,296**

(22) Filed: **Sep. 27, 2012**

(30) **Foreign Application Priority Data**

Aug. 30, 2012 (EM) 002094904-0002

(51) **LOC (10) Cl.** **14-02**

(52) **U.S. Cl.**
USPC **D14/436**

(58) **Field of Classification Search**
USPC D14/435-438, 478-480; 235/441, 443, 235/487, 492, 493, 495; 361/737, 679, 752, 361/736, 728, 796, 797, 729, 730, 361/725-727; 257/678, 679, 693, E23.064; 439/946, 948, 159; 174/250, 260, 52.1, 174/52.2; 710/300-303; 438/121
See application file for complete search history.

(56) **References Cited**

U.S. PATENT DOCUMENTS

D427,167	S	*	6/2000	Iwasaki	D14/436
D434,042	S	*	11/2000	Yasufuku et al.	D14/436
D444,473	S	*	7/2001	Okamoto et al.	D14/436
D445,111	S	*	7/2001	Okamoto et al.	D14/436
D445,797	S	*	7/2001	Lee et al.	D14/436
D446,525	S	*	8/2001	Okamoto et al.	D14/436

6,381,143	B1	*	4/2002	Nakamura	361/737
D475,056	S	*	5/2003	Taniguchi et al.	D14/436
D475,713	S	*	6/2003	Taniguchi et al.	D14/436
6,590,778	B1	*	7/2003	Hojo et al.	361/737
6,628,524	B1	*	9/2003	Washino et al.	361/737
6,636,773	B1	*	10/2003	Tagawa et al.	700/94
6,646,885	B1	*	11/2003	Yu et al.	361/737
D488,477	S	*	4/2004	Yu et al.	D14/436
6,729,892	B2	*	5/2004	Takada et al.	439/159
D492,687	S	*	7/2004	Yu et al.	D14/436
D493,798	S	*	8/2004	Yu et al.	D14/436
D494,180	S	*	8/2004	Taniguchi	D14/436
6,816,386	B2	*	11/2004	Oguchi et al.	361/769

(Continued)

Primary Examiner — Susan Moon Lee

(74) *Attorney, Agent, or Firm* — Jeffer Mangels; Butler & Mitchell LLP

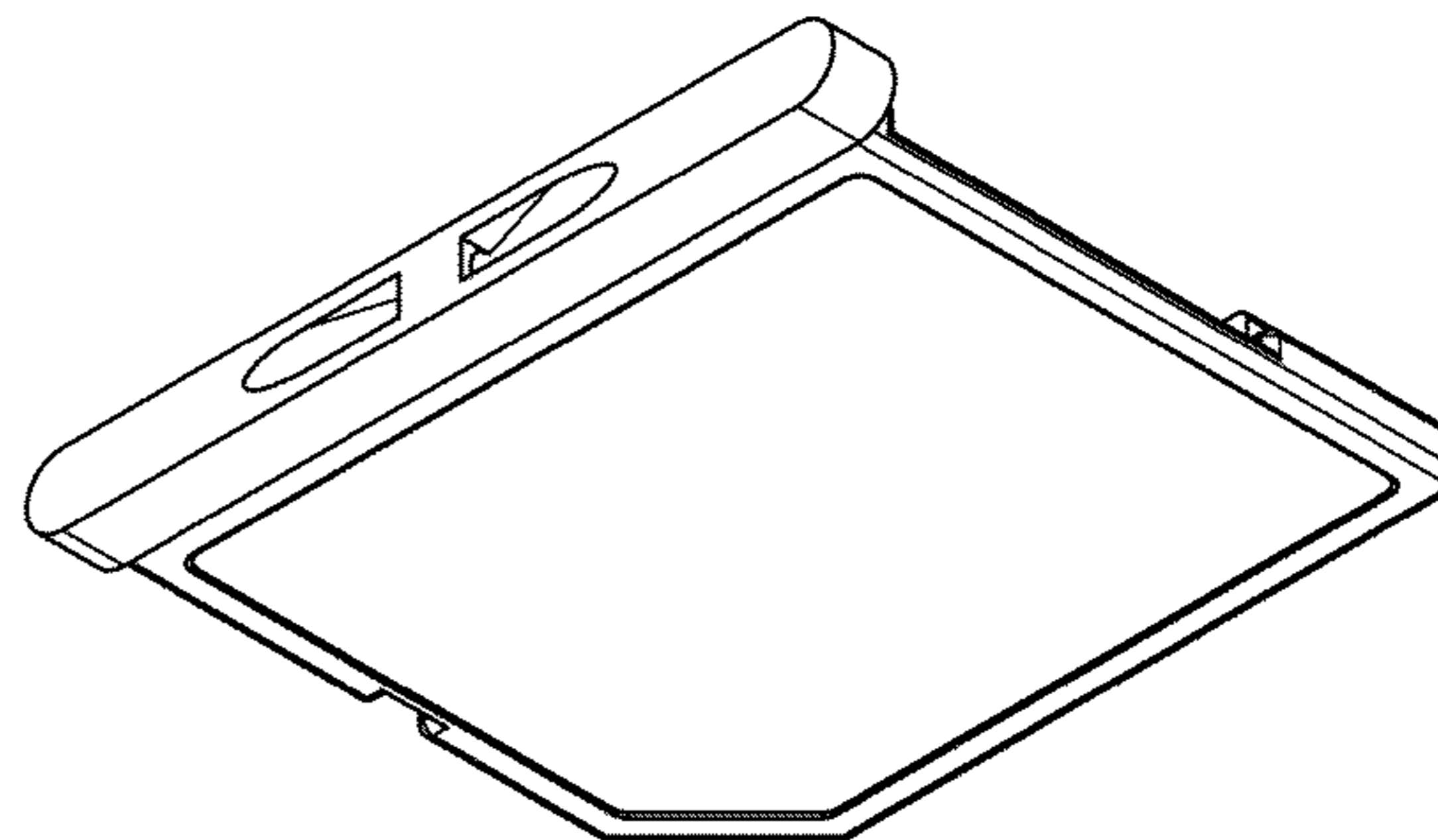
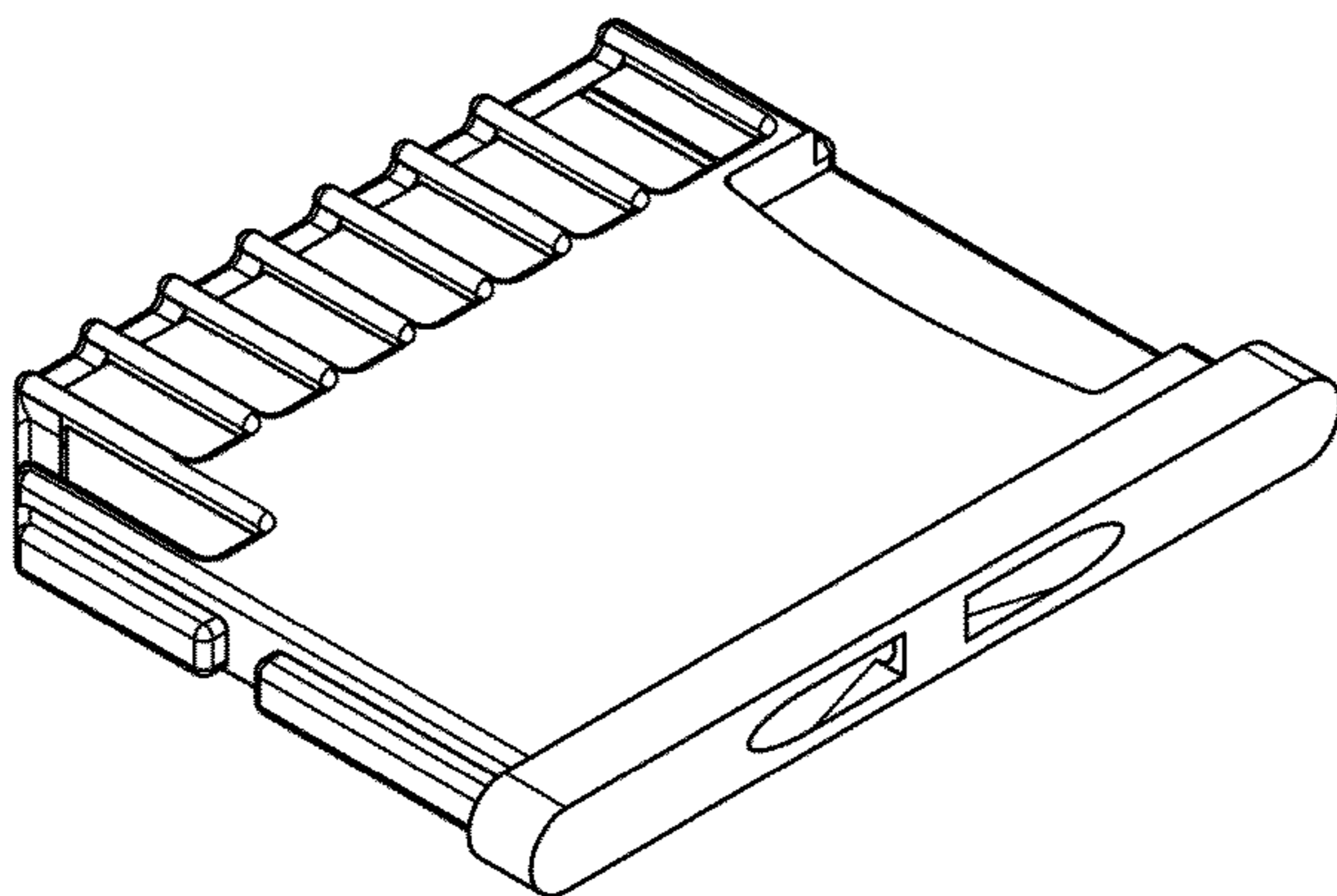
(57) **CLAIM**

The ornamental design for a computer accessory, as shown and described.

DESCRIPTION

FIG. 1 is a top perspective view of a computer accessory; FIG. 2 is another top perspective view of the computer accessory shown in FIG. 1; FIG. 3 is a bottom perspective view of the computer accessory shown in FIG. 1; FIG. 4 is a front side elevational view of the computer accessory shown in FIG. 1; FIG. 5 is a right side elevational view of the computer accessory shown in FIG. 1; FIG. 6 is a left side elevational view of the computer accessory shown in FIG. 1; FIG. 7 is a top plan view of the computer accessory shown in FIG. 1; FIG. 8 is a bottom plan view of the computer accessory shown in FIG. 1; and, FIG. 9 is a rear elevational view of the computer accessory shown in FIG. 1.

1 Claim, 9 Drawing Sheets



(56)

References Cited

U.S. PATENT DOCUMENTS

6,834,810	B2 *	12/2004	Maruyama	235/492	7,719,845	B1 *	5/2010	Jang et al.	361/737
6,862,175	B1 *	3/2005	McClendon et al.	361/679.31	7,768,789	B2 *	8/2010	Ni et al.	361/737
6,903,935	B1 *	6/2005	Chen	361/737	7,795,714	B2 *	9/2010	Hiew et al.	257/679
6,910,635	B1 *	6/2005	Miks et al.	235/487	7,804,163	B2 *	9/2010	Hiew et al.	257/679
6,922,343	B2 *	7/2005	Nakanishi et al.	361/737	7,813,137	B2 *	10/2010	Gu et al.	361/737
6,970,359	B2 *	11/2005	Gochmour et al.	361/737	7,830,666	B2 *	11/2010	Hiew et al.	361/737
6,979,227	B2 *	12/2005	Ikeda	439/630	7,864,540	B2 *	1/2011	Takiar	361/737
7,009,846	B1 *	3/2006	Wang et al.	361/737	D641,050	S *	7/2011	Matsui et al.	D21/332
7,032,827	B2 *	4/2006	Wang et al.	235/492	D643,431	S *	8/2011	Nakamura	D14/436
7,049,690	B2 *	5/2006	Kakinoki	257/679	D643,432	S *	8/2011	Nakamura	D14/436
7,059,871	B1 *	6/2006	Hsiao	439/76.1	8,060,131	B2 *	11/2011	Shin et al.	455/550.1
D525,623	S *	7/2006	Takiar et al.	D14/436	8,097,939	B2 *	1/2012	Okada	257/679
D529,031	S *	9/2006	Huang et al.	D14/436	8,102,658	B2 *	1/2012	Hiew et al.	361/737
D531,181	S *	10/2006	Cuellar et al.	D14/436	8,243,456	B2 *	8/2012	Tochi et al.	361/737
D533,556	S *	12/2006	Yamada et al.	D14/436	8,254,134	B2 *	8/2012	Hiew et al.	361/737
D535,297	S *	1/2007	Cuellar et al.	D14/436	D667,830	S *	9/2012	Seoc et al.	D14/436
7,179,129	B1 *	2/2007	Hwang	439/630	D669,479	S *	10/2012	Lepp et al.	D14/436
D537,824	S *	3/2007	Day et al.	D14/436	D670,292	S *	11/2012	Komatani et al.	D14/436
D542,797	S *	5/2007	Cuellar et al.	D14/436	D681,640	S *	5/2013	Aoki et al.	D14/436
7,218,528	B2 *	5/2007	Chen	361/737	8,451,122	B2 *	5/2013	Narendra et al.	340/572.1
D552,099	S *	10/2007	Nishizawa et al.	D14/436	D688,668	S *	8/2013	Ben-Gad et al.	D14/436
D552,612	S *	10/2007	Nishizawa et al.	D14/436	2004/0037145	A1 *	2/2004	Tagawa et al.	365/222
D554,123	S *	10/2007	Day et al.	D14/436	2005/0021909	A1 *	1/2005	Much et al.	711/115
7,307,848	B2 *	12/2007	Takiar	361/737	2005/0247786	A1 *	11/2005	Chen	235/441
7,320,622	B2 *	1/2008	Ying et al.	439/630	2005/0254219	A1 *	11/2005	Nakanishi et al.	361/737
7,324,347	B2 *	1/2008	Nakanishi et al.	361/737	2005/0279838	A1 *	12/2005	Wang et al.	235/492
7,336,498	B2 *	2/2008	Takiar et al.	361/737	2007/0126099	A1 *	6/2007	Aoki et al.	257/679
7,410,376	B2 *	8/2008	Ying et al.	439/159	2007/0228536	A1 *	10/2007	Aoki	257/678
7,440,285	B2 *	10/2008	Centofante	361/737	2007/0263365	A1 *	11/2007	Yamada et al.	361/737
D581,932	S *	12/2008	Nishizawa et al.	D14/436	2008/0025003	A1 *	1/2008	Nishizawa et al.	361/737
D588,598	S *	3/2009	Nakamura	D14/436	2008/0030963	A1 *	2/2008	Middlekauff et al.	361/737
D588,599	S *	3/2009	Nakamura	D14/436	2008/0225498	A1 *	9/2008	Osako et al.	361/737
7,547,234	B2 *	6/2009	Wallace	439/630	2009/0009976	A1 *	1/2009	Nishikawa et al.	361/737
7,615,855	B2 *	11/2009	Osako et al.	257/679	2009/0021921	A1 *	1/2009	Jang et al.	361/737
7,616,447	B2 *	11/2009	Yamada et al.	361/737	2009/0073665	A1 *	3/2009	Jow	361/737
7,710,736	B2 *	5/2010	Middlekauff et al.	361/737	2009/0323294	A1 *	12/2009	Moon	361/737
						2010/0232118	A1 *	9/2010	Tochi et al.	361/737
						2013/0250525	A1 *	9/2013	Wang	361/737

* cited by examiner

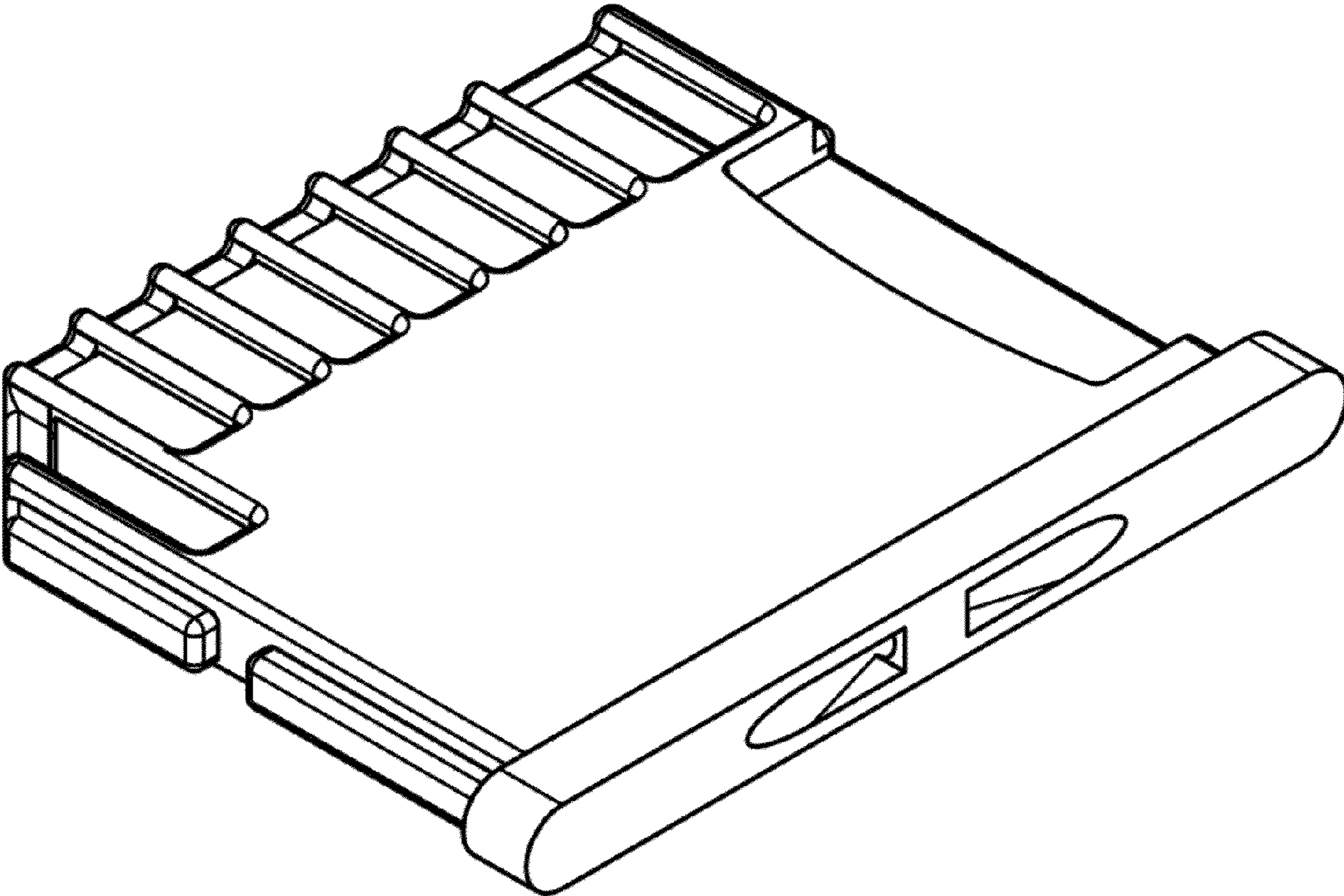


Figure 1

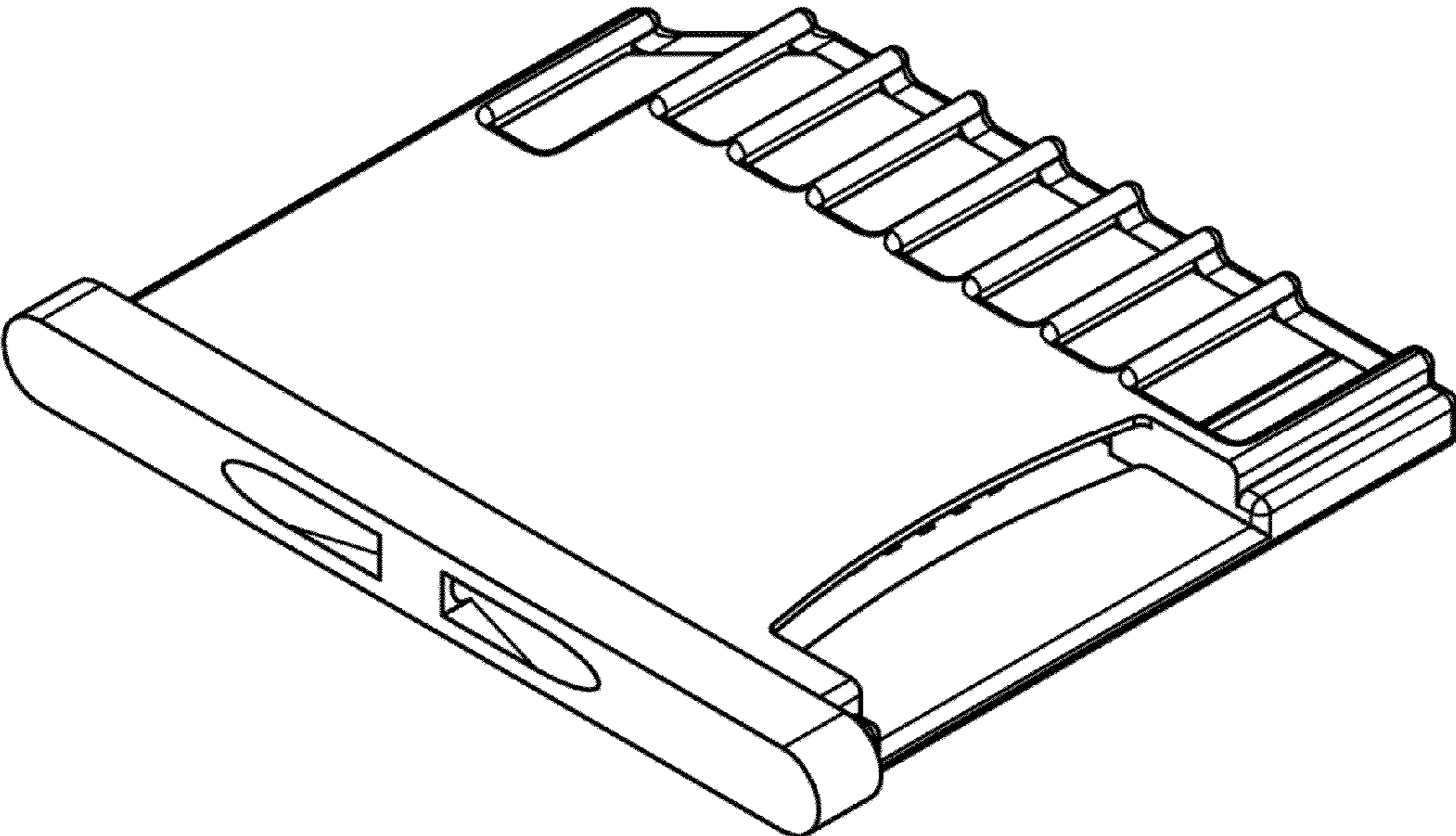


Figure 2

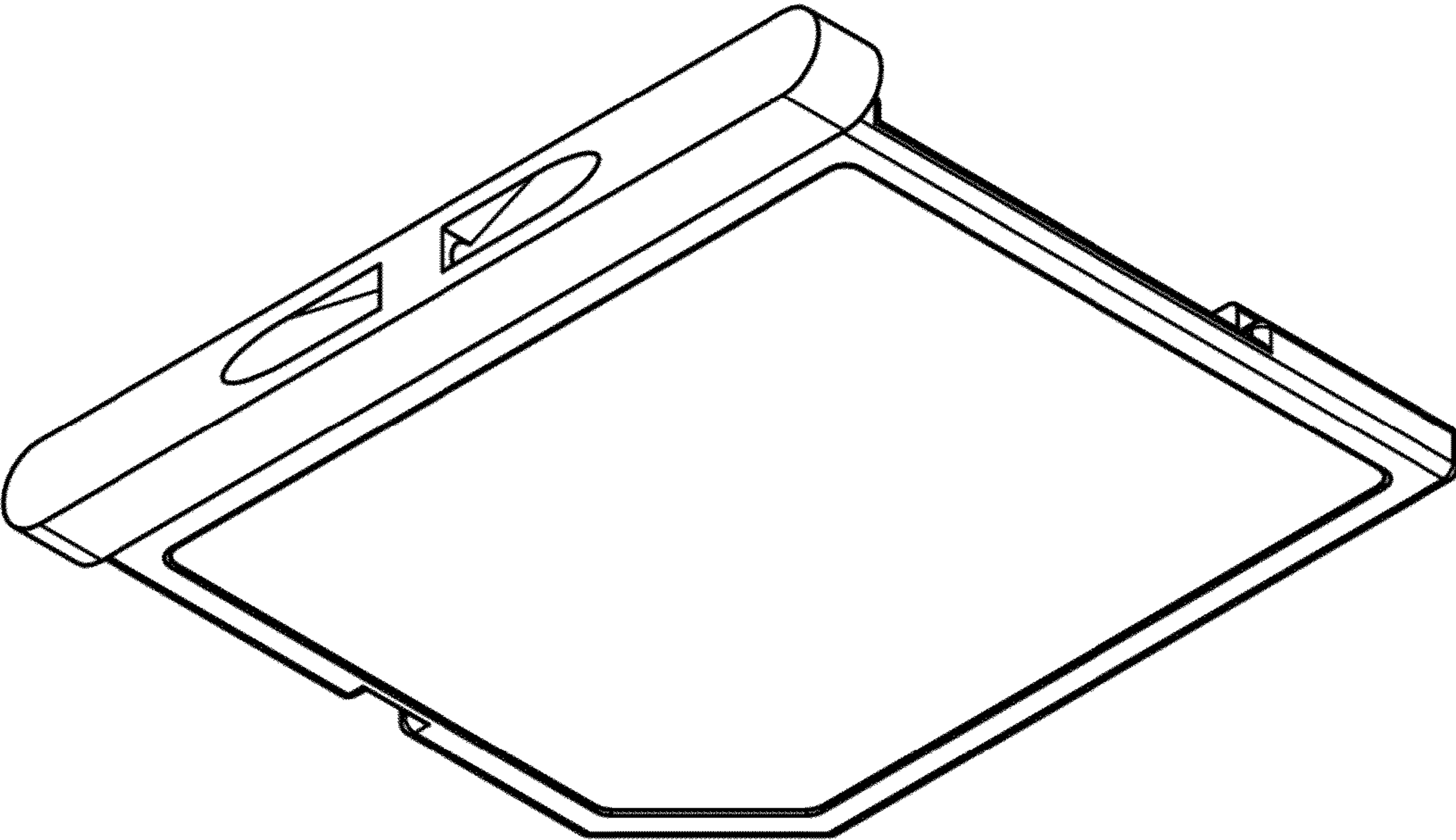


Figure 3

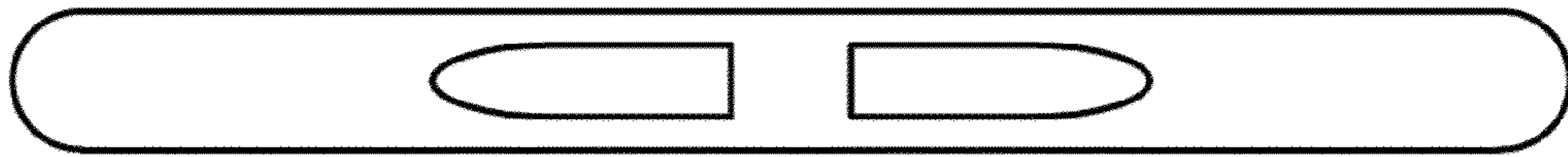


Figure 4

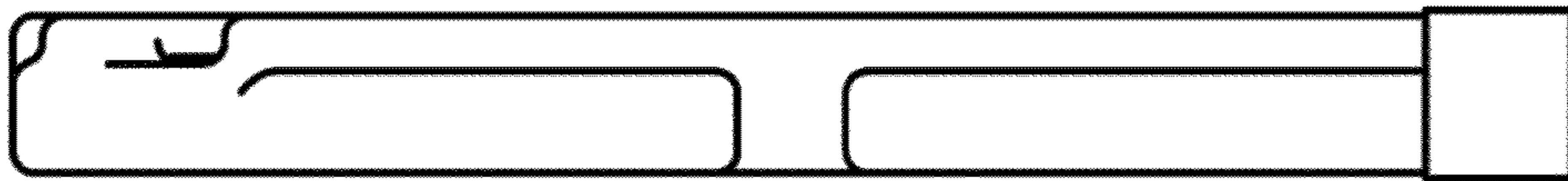


Figure 5

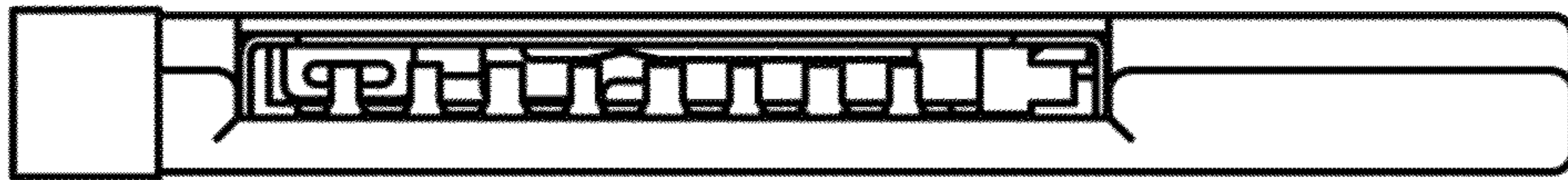


Figure 6

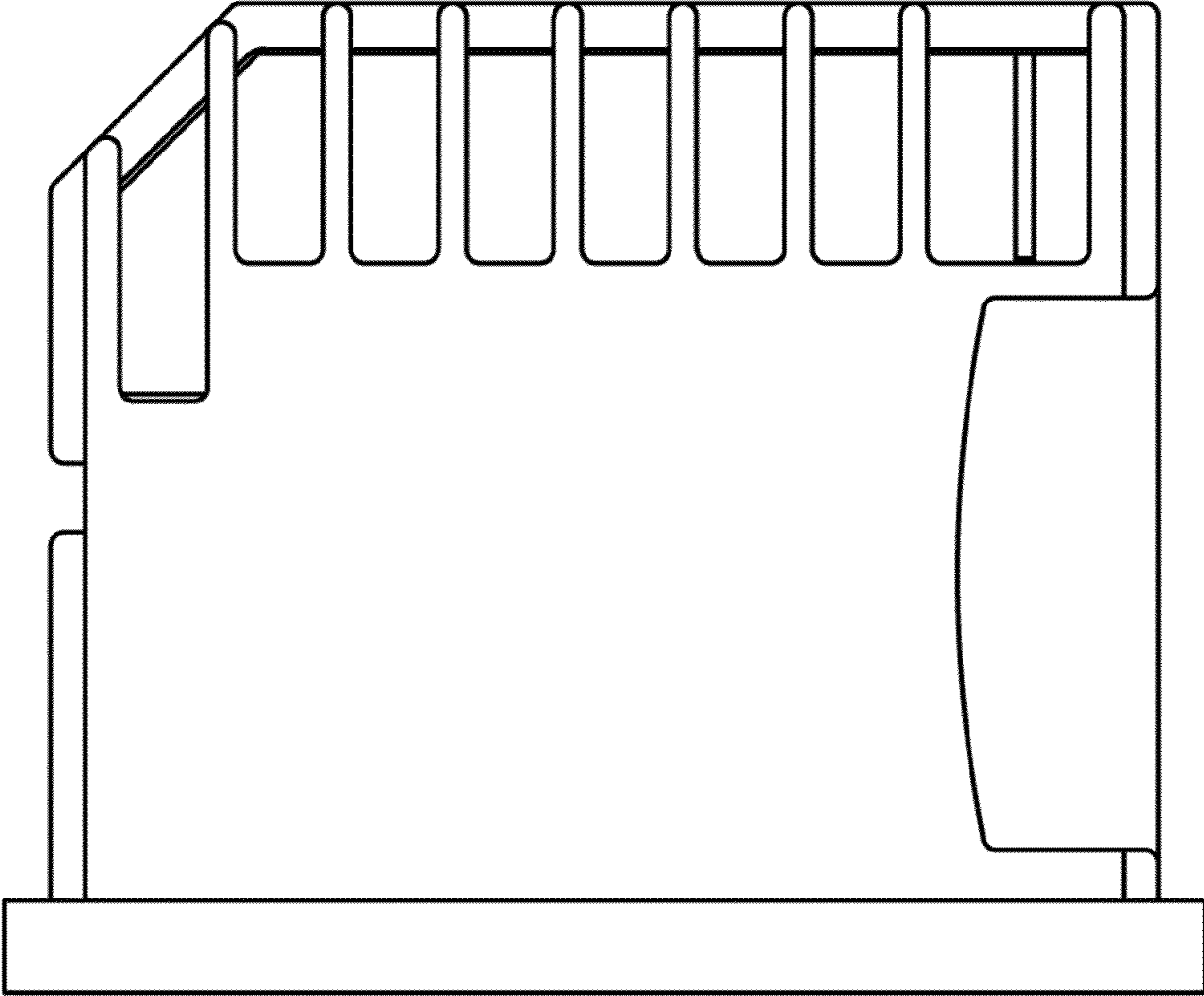


Figure 7

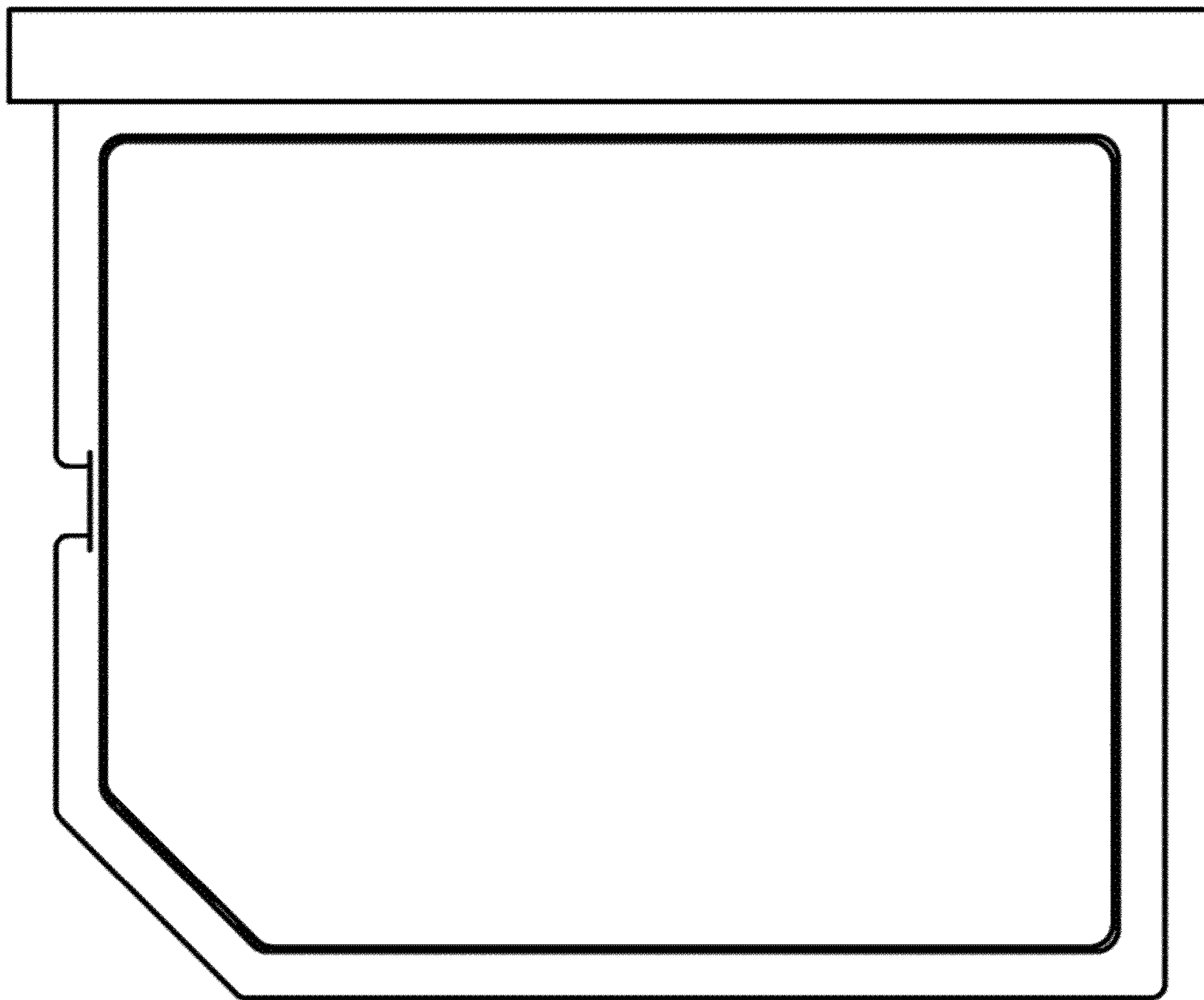


Figure 8



Figure 9