



US00D700182S

(12) **United States Design Patent**
Kidakarn

(10) **Patent No.:** **US D700,182 S**

(45) **Date of Patent:** **** Feb. 25, 2014**

(54) **VIDEO GAME CONTROLLER**

(71) Applicant: **Michael Kidakarn**, Gardena, CA (US)

(72) Inventor: **Michael Kidakarn**, Gardena, CA (US)

(73) Assignee: **Michael Kidakarn**

(**) Term: **14 Years**

(21) Appl. No.: **29/442,109**

(22) Filed: **Dec. 10, 2012**

(51) **LOC (10) Cl.** **14-03**

(52) **U.S. Cl.**

USPC **D14/401; D21/333**

(58) **Field of Classification Search**

USPC D14/399-401, 412-416; D21/324, 333;
273/148 B; 463/1, 29-39, 46, 47;
345/156-161, 905

See application file for complete search history.

(56) **References Cited**

U.S. PATENT DOCUMENTS

5,207,426 A * 5/1993 Inoue et al. 463/36
D360,903 S * 8/1995 Barr et al. D14/401
D362,277 S * 9/1995 Chan D14/401
D491,183 S * 6/2004 Swan et al. D14/401
6,743,100 B1 * 6/2004 Neiser 463/37

7,377,851 B2 * 5/2008 Goto et al. 463/37
D608,784 S * 1/2010 Biheller D14/401
D620,939 S * 8/2010 Suetake et al. D14/401
D638,016 S * 5/2011 Ikeda D14/401
D653,292 S * 1/2012 Kotkin et al. D21/333
8,188,842 B2 * 5/2012 Otsuka et al. 340/12.22
D685,434 S * 7/2013 Ali et al. D21/333

* cited by examiner

Primary Examiner — Prabhakar Deshmukh

(57) **CLAIM**

The ornamental design for a video game controller, as shown and described.

DESCRIPTION

FIG. 1 is a perspective view of video game controller showing my new design.

FIG. 2 is a top view thereof.

FIG. 3 is a bottom view thereof.

FIG. 4 is a front view thereof.

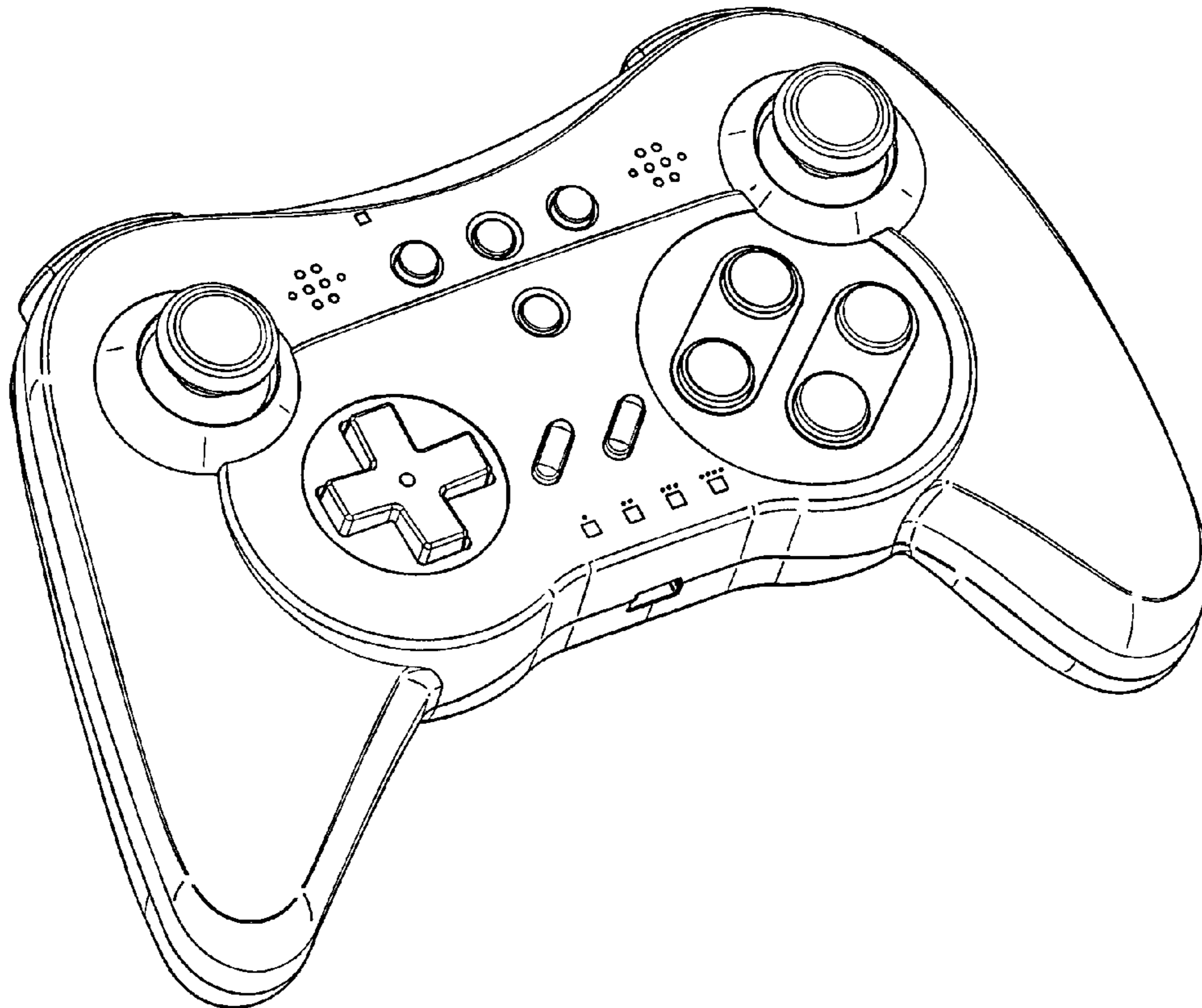
FIG. 5 is a rear view thereof.

FIG. 6 is a right view thereof.

FIG. 7 is a left view thereof; and,

FIG. 8 is a bottom perspective view in an open position thereof.

1 Claim, 8 Drawing Sheets



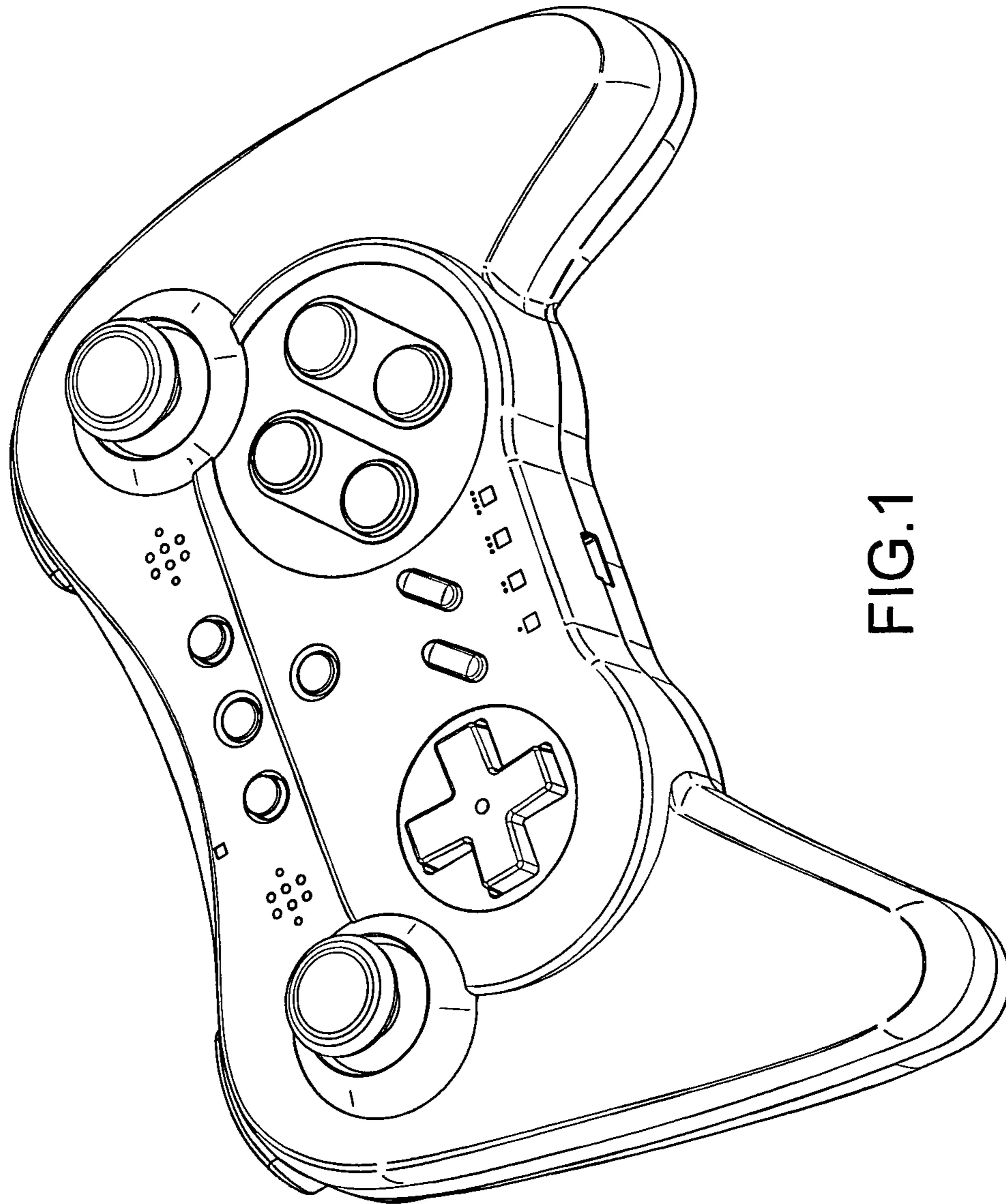


FIG.1

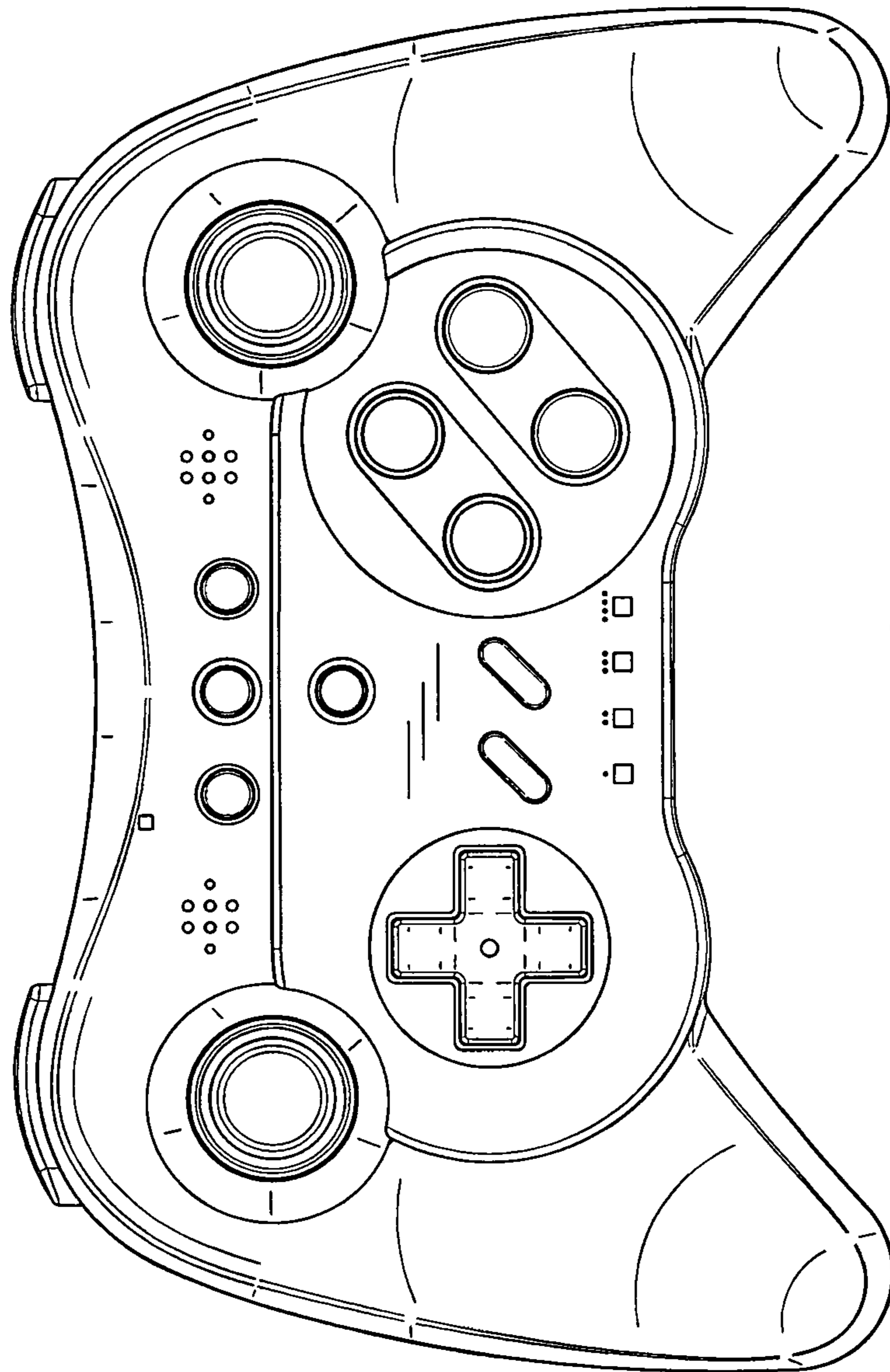


FIG. 2

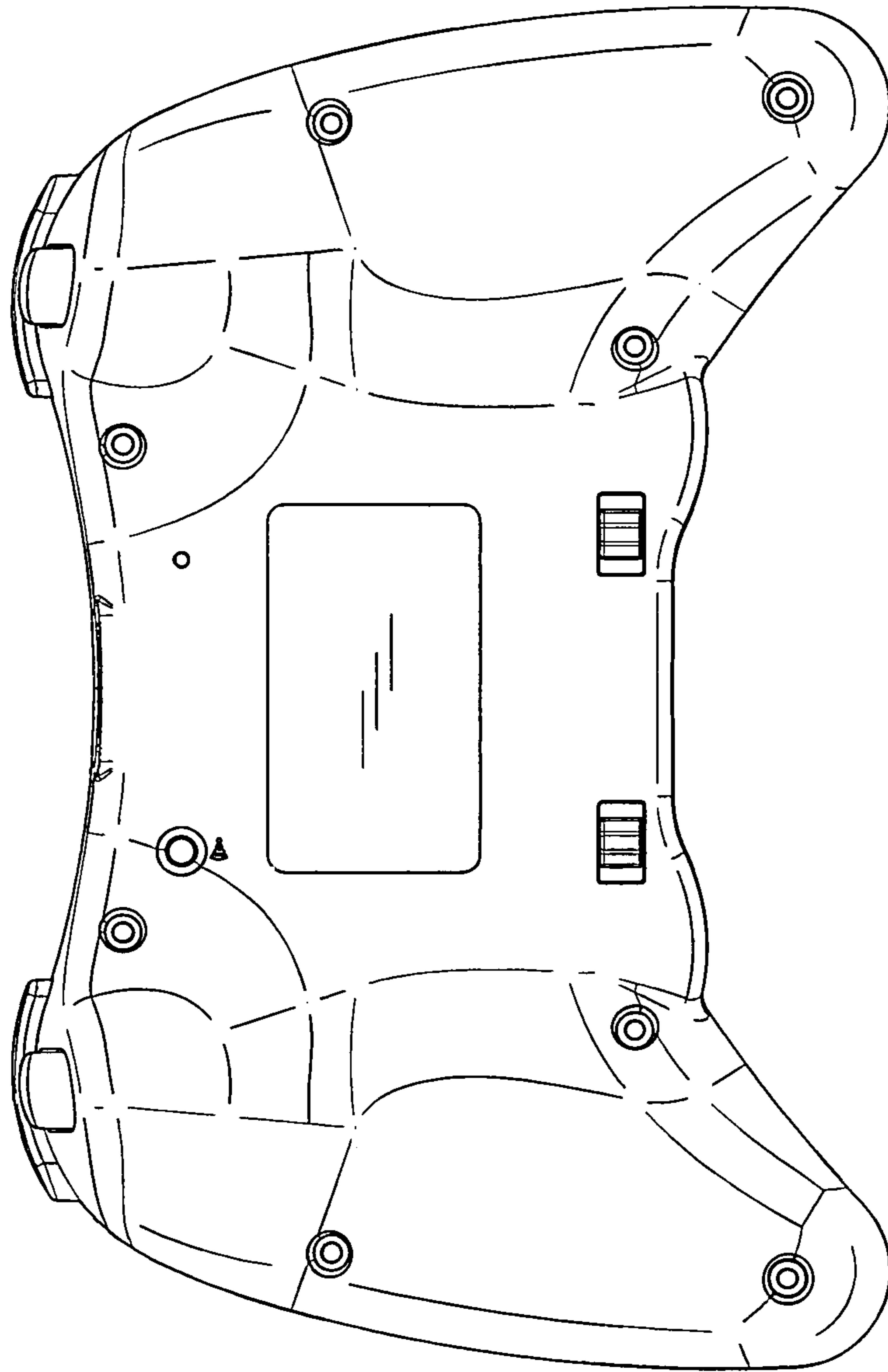


FIG.3

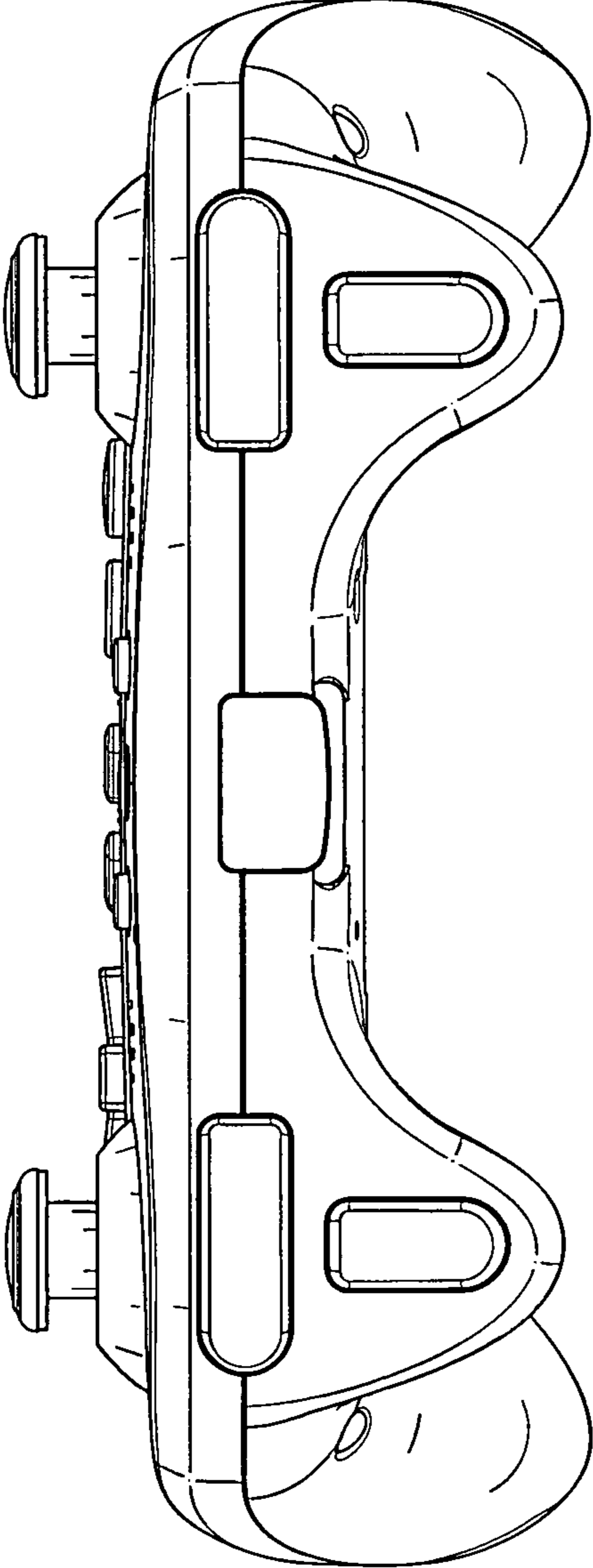


FIG.4

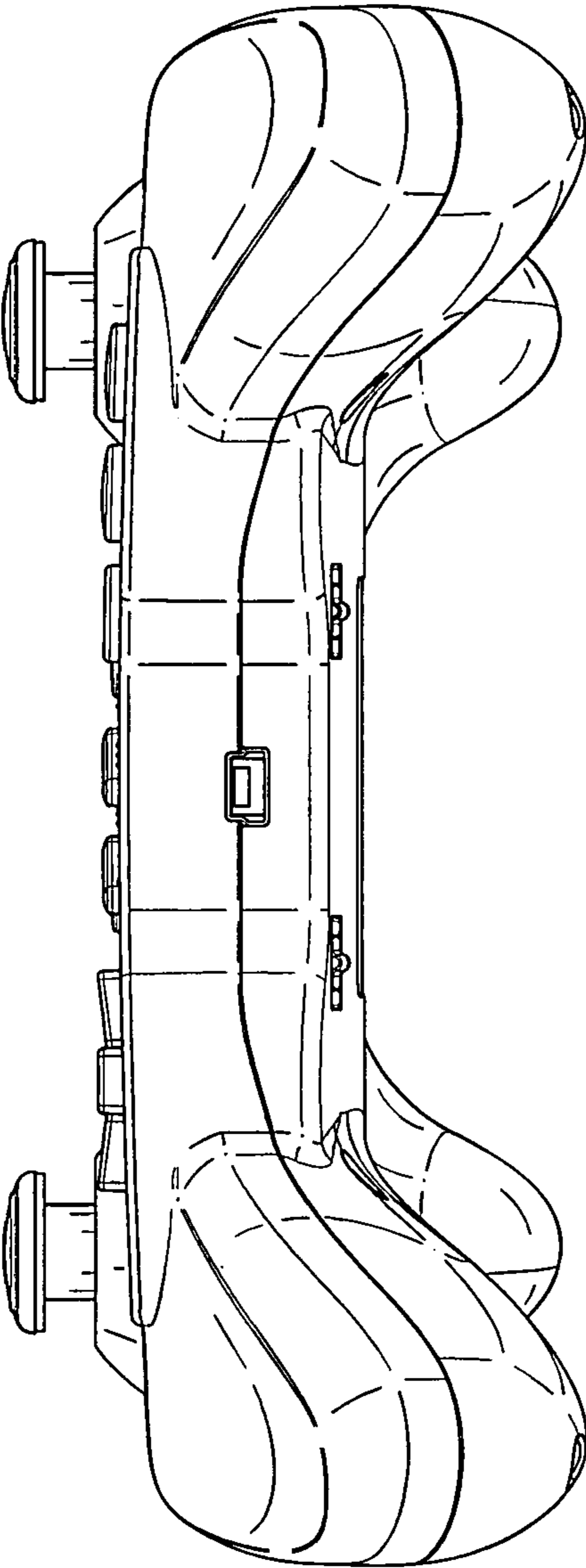


FIG.5

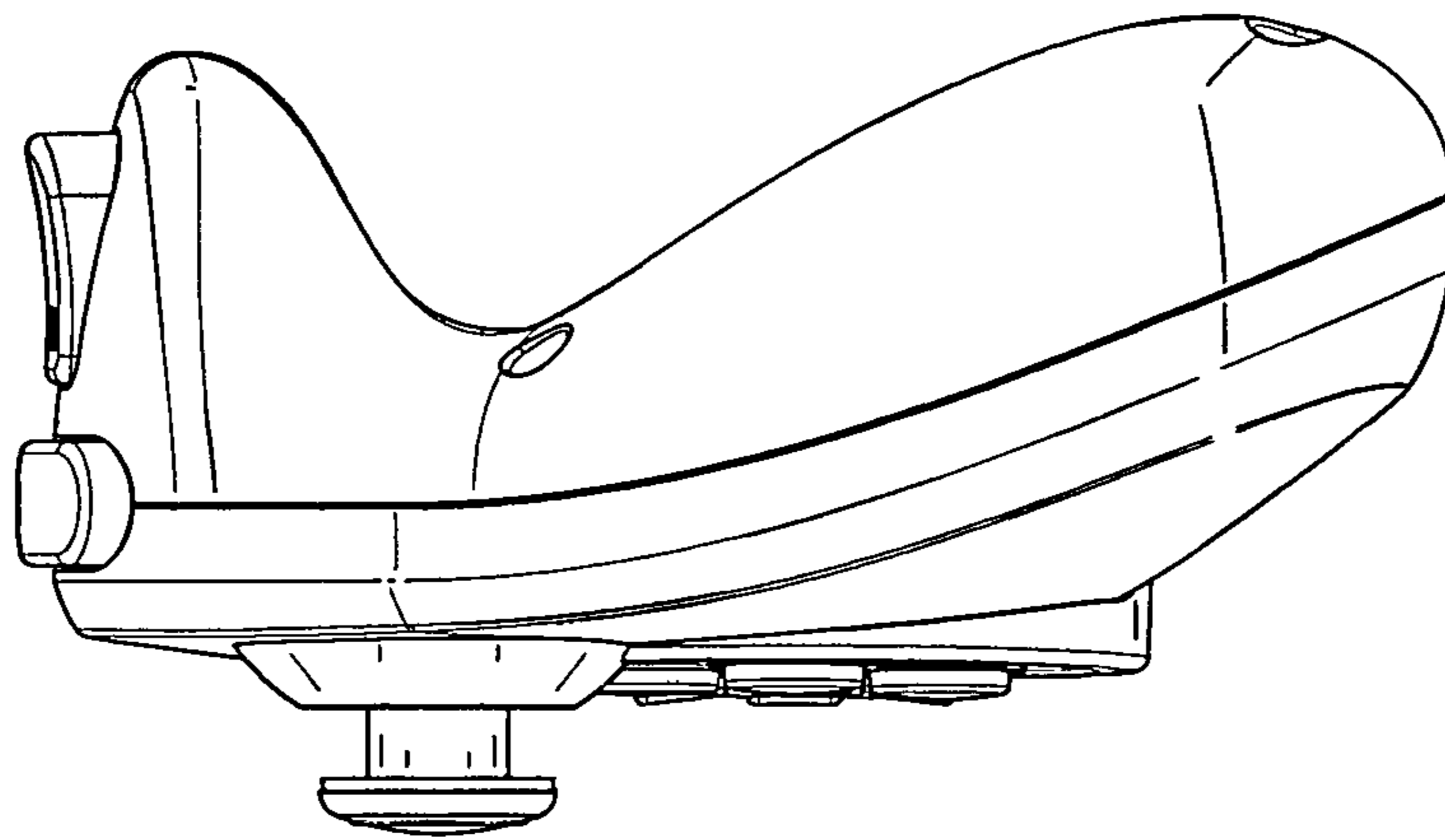


FIG.6

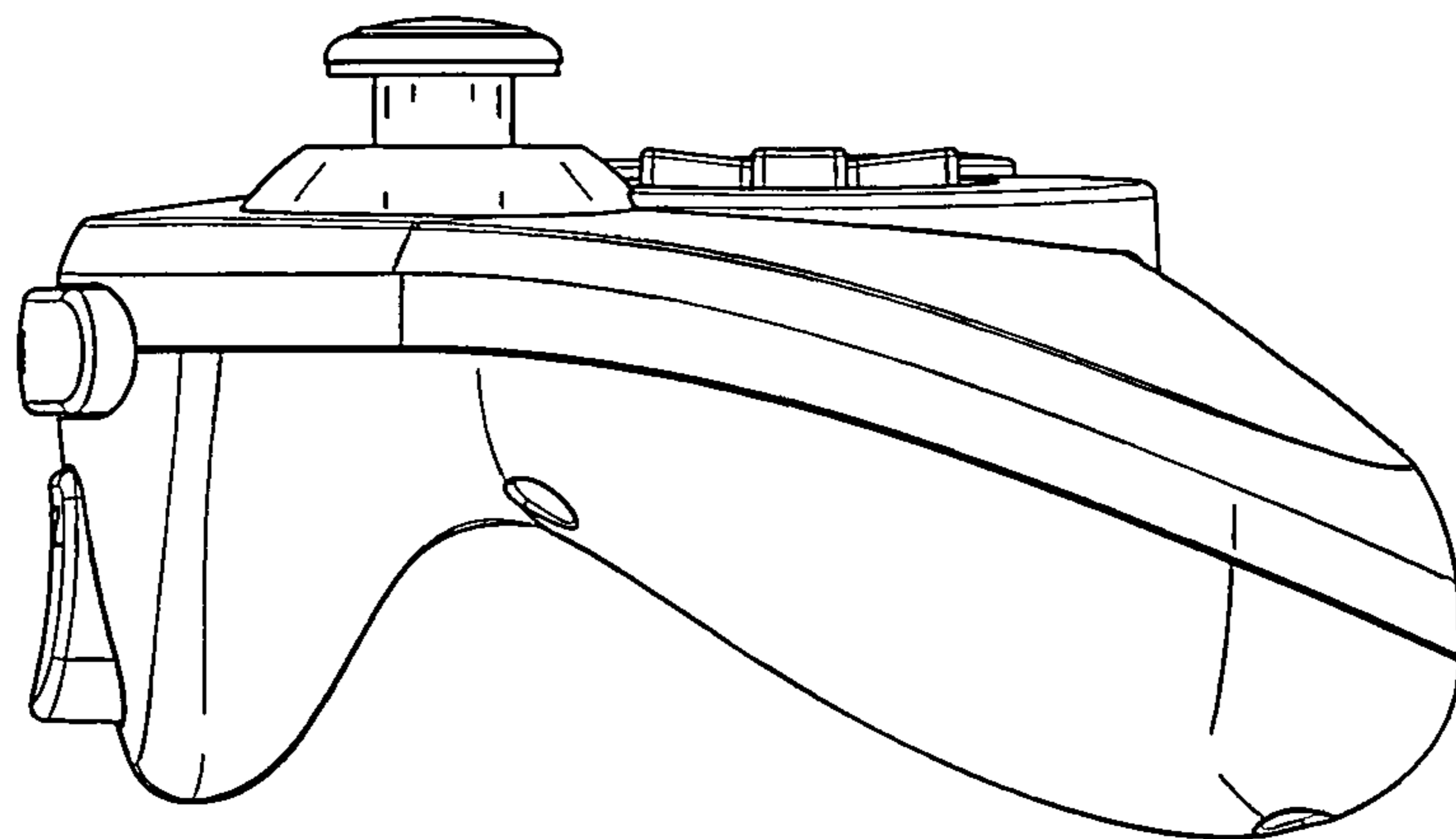


FIG. 7

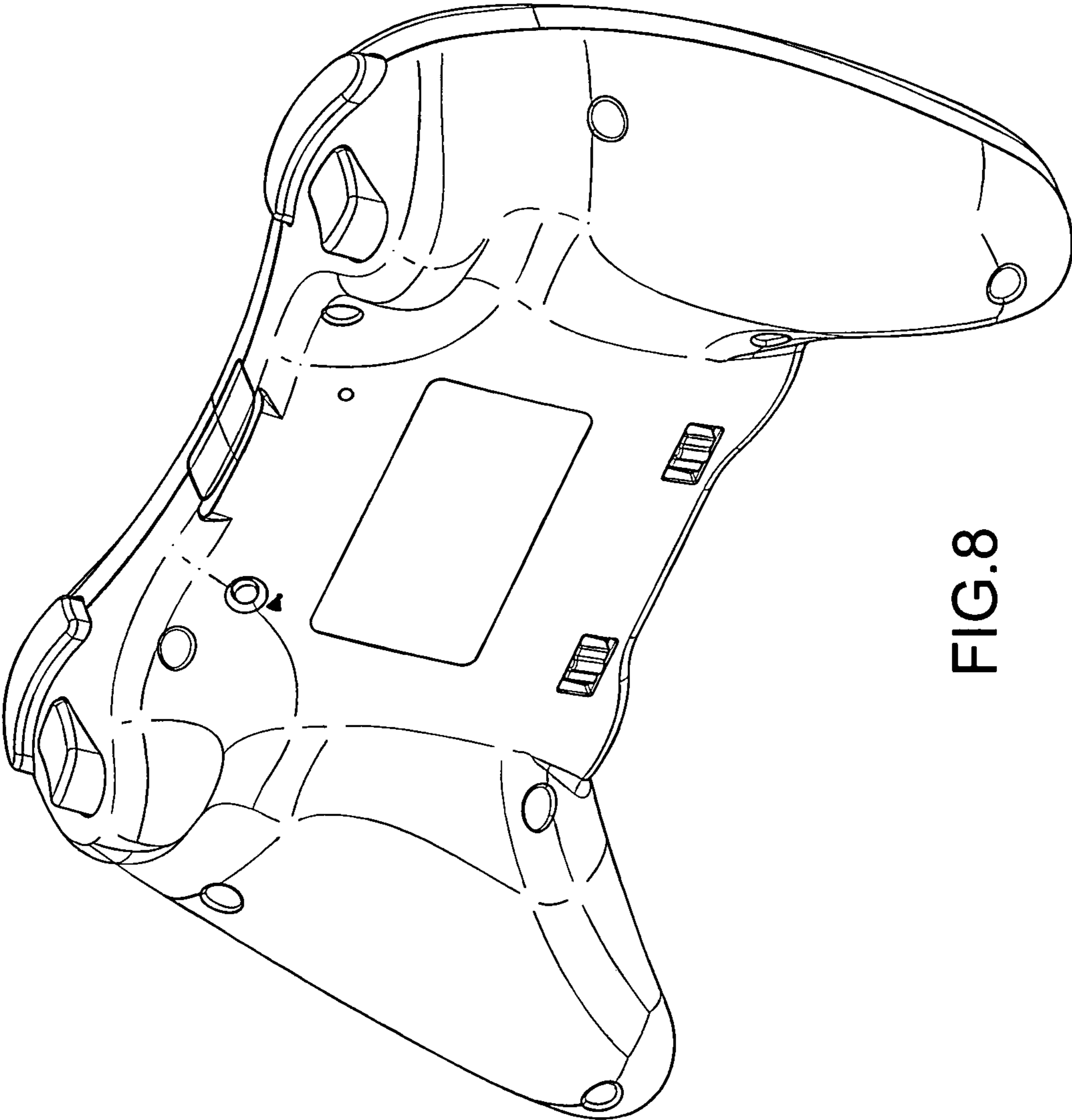


FIG.8