



US00D700178S

(12) **United States Design Patent**
Ma

(10) **Patent No.:** **US D700,178 S**

(45) **Date of Patent:** **** Feb. 25, 2014**

(54) **ALL-IN-ONE COMPUTER**

(71) Applicant: **Hon Hai Precision Industry Co., Ltd.**,
New Taipei (TW)

(72) Inventor: **Xiao-Yong Ma**, Shenzhen (CN)

(73) Assignee: **Hon Hai Precision Industry Co., Ltd.**,
New Taipei (TW)

(**) Term: **14 Years**

(21) Appl. No.: **29/441,170**

(22) Filed: **Jan. 2, 2013**

(30) **Foreign Application Priority Data**

Dec. 20, 2012 (CN) 2012 3 0643104

(51) **LOC (10) Cl.** **14-02**

(52) **U.S. Cl.**
USPC **D14/331; D14/374**

(58) **Field of Classification Search**
USPC D14/315-327, 331, 343, 455; D18/1, 2,
D18/7, 11; 235/145 A, 145 R; 341/22, 23;
345/156, 157, 168, 169, 173;
361/679.08, 679.09, 679.11, 679.26,
361/679.27; 348/373

See application file for complete search history.

(56) **References Cited**

U.S. PATENT DOCUMENTS

6,490,154 B2 * 12/2002 Thompson 361/679.41
6,665,175 B1 * 12/2003 deBoer et al. 361/679.06

7,256,986 B2 * 8/2007 Williams et al. 361/679.55
D551,224 S * 9/2007 Hatling et al. D14/331
D584,304 S * 1/2009 Lin D14/346
D589,957 S * 4/2009 Reger et al. D14/371
D611,046 S * 3/2010 Smith et al. D14/331
D614,181 S * 4/2010 Smith et al. D14/331
7,826,205 B2 * 11/2010 Smith 361/679.02
D650,380 S * 12/2011 Ballout D14/331

* cited by examiner

Primary Examiner — Freda S Nunn

(74) *Attorney, Agent, or Firm* — Altis Law Group, Inc.

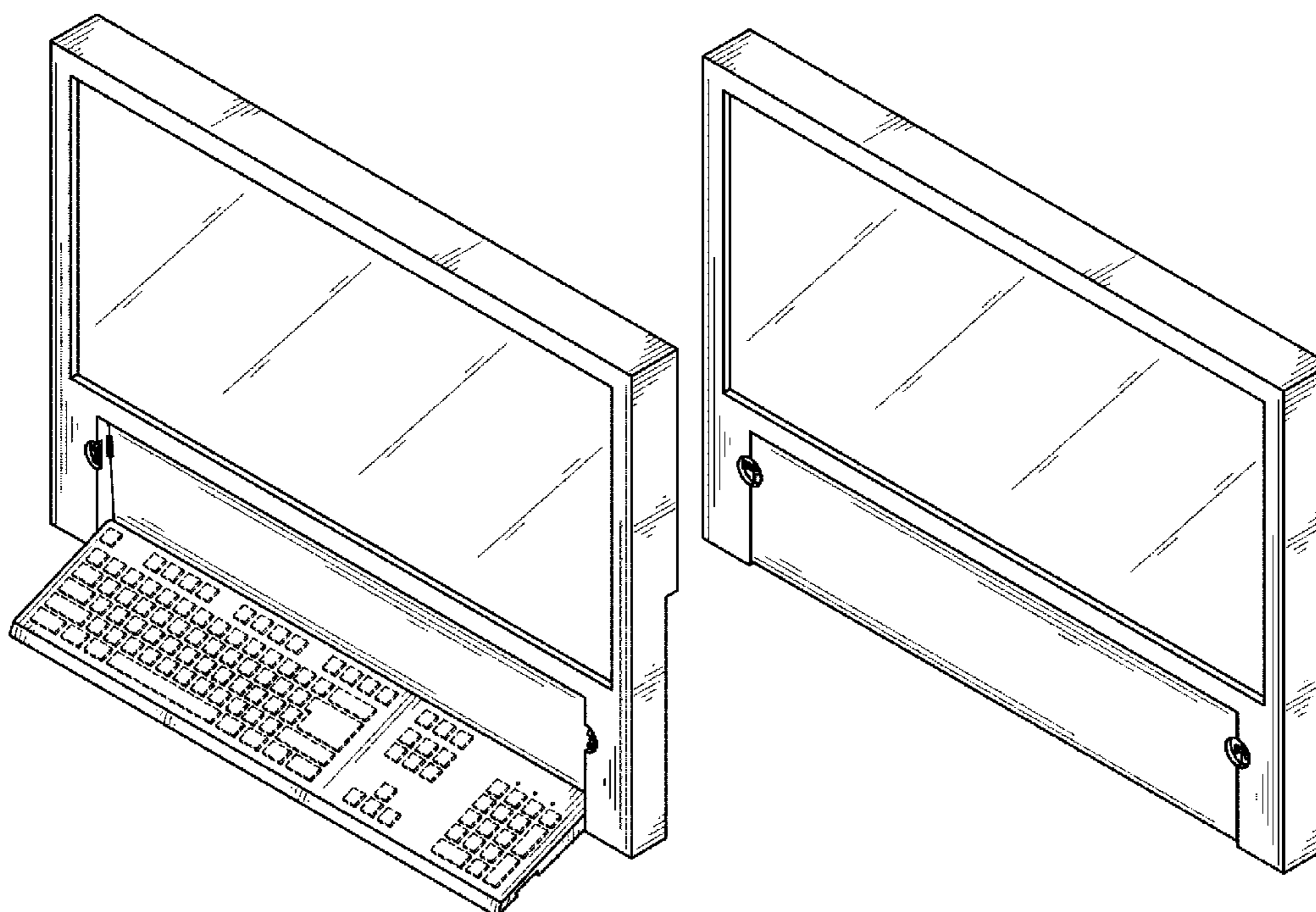
(57) **CLAIM**

The ornamental design for an all-in-one computer, as shown and described.

DESCRIPTION

FIG. 1 is a perspective view of an all-in-one computer showing our new design;
FIG. 2 is a front elevational view thereof;
FIG. 3 is a rear elevational view thereof;
FIG. 4 is a left side elevational view thereof;
FIG. 5 is a right side elevational view thereof;
FIG. 6 is a top plan view thereof;
FIG. 7 is a bottom plan view thereof; and,
FIG. 8 is a perspective view of another aspect of the all-in-one computer, showing parts of the all in one computer folded.
The broken lines shown in the figures form no part of the claimed design and the shade lines in the figures show contour and not surface ornamentation.

1 Claim, 8 Drawing Sheets



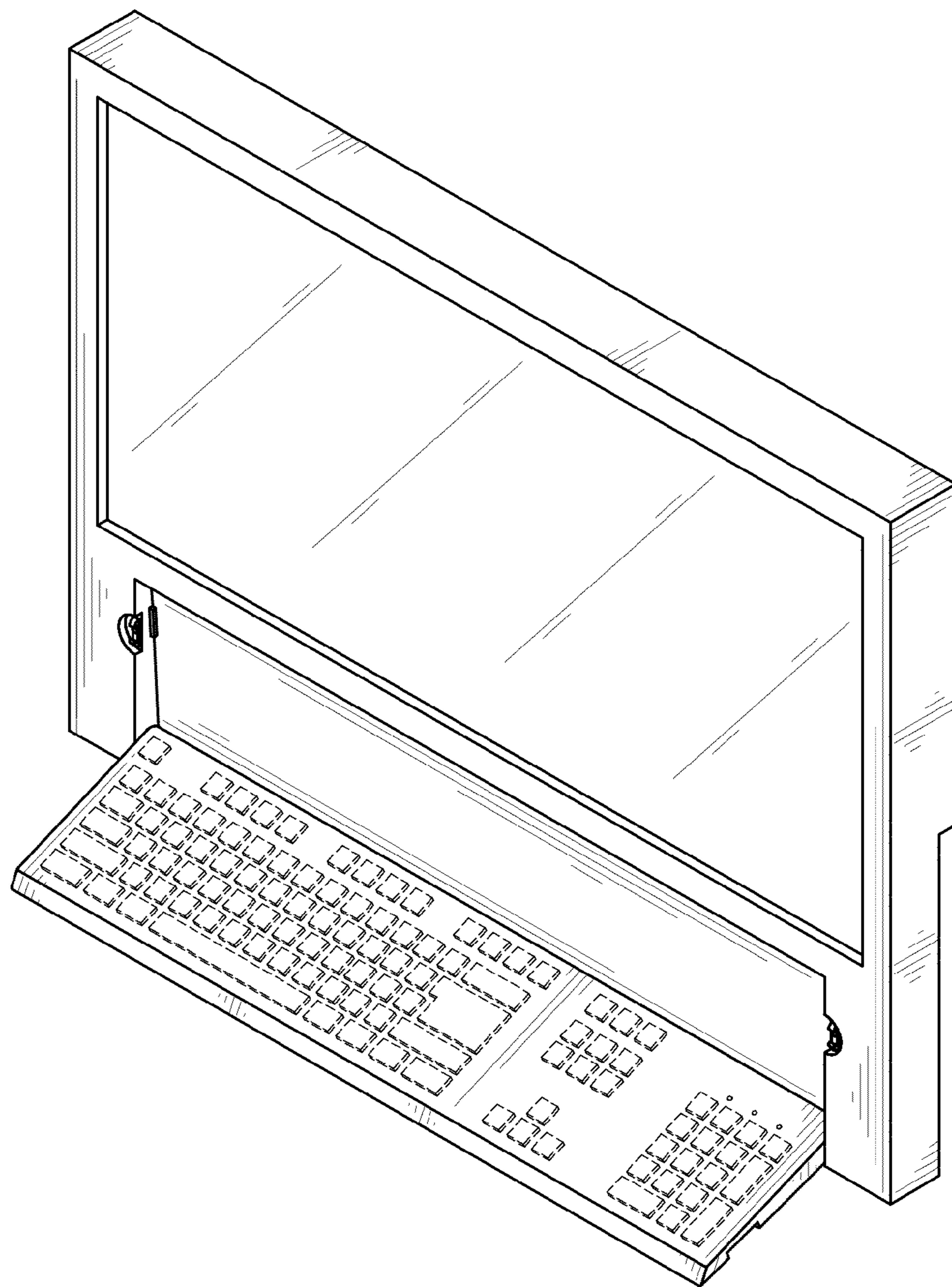


FIG. 1

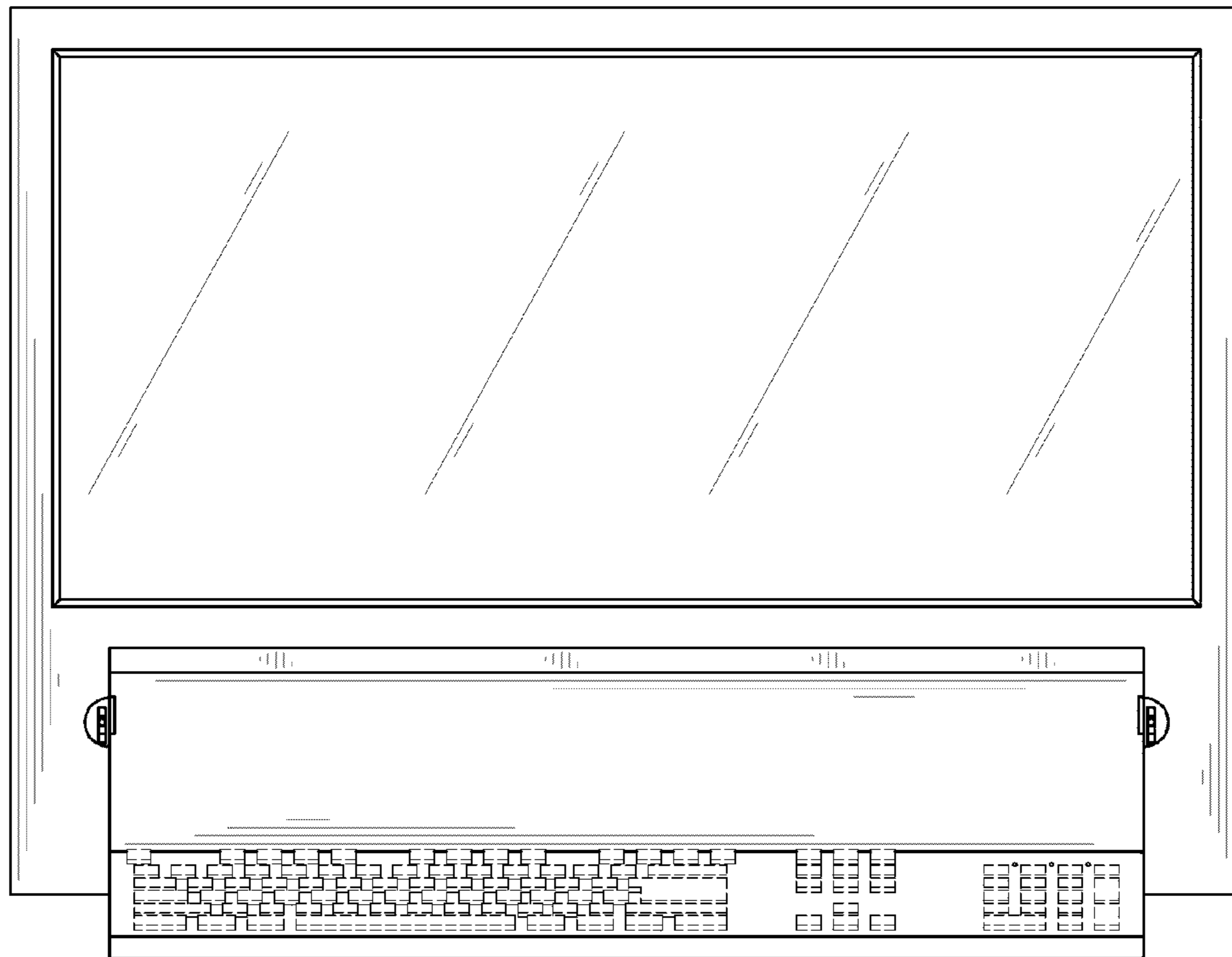


FIG. 2

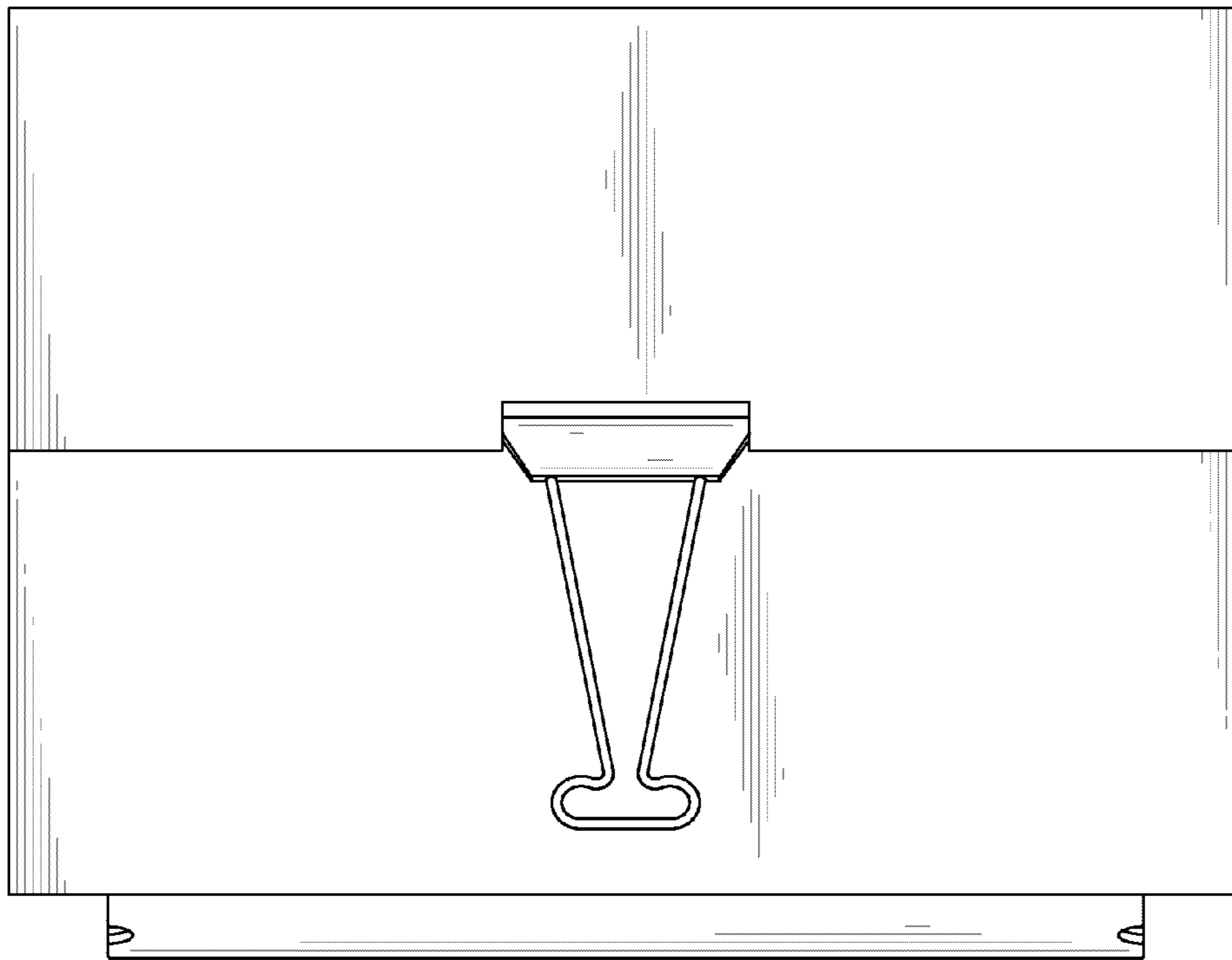


FIG. 3

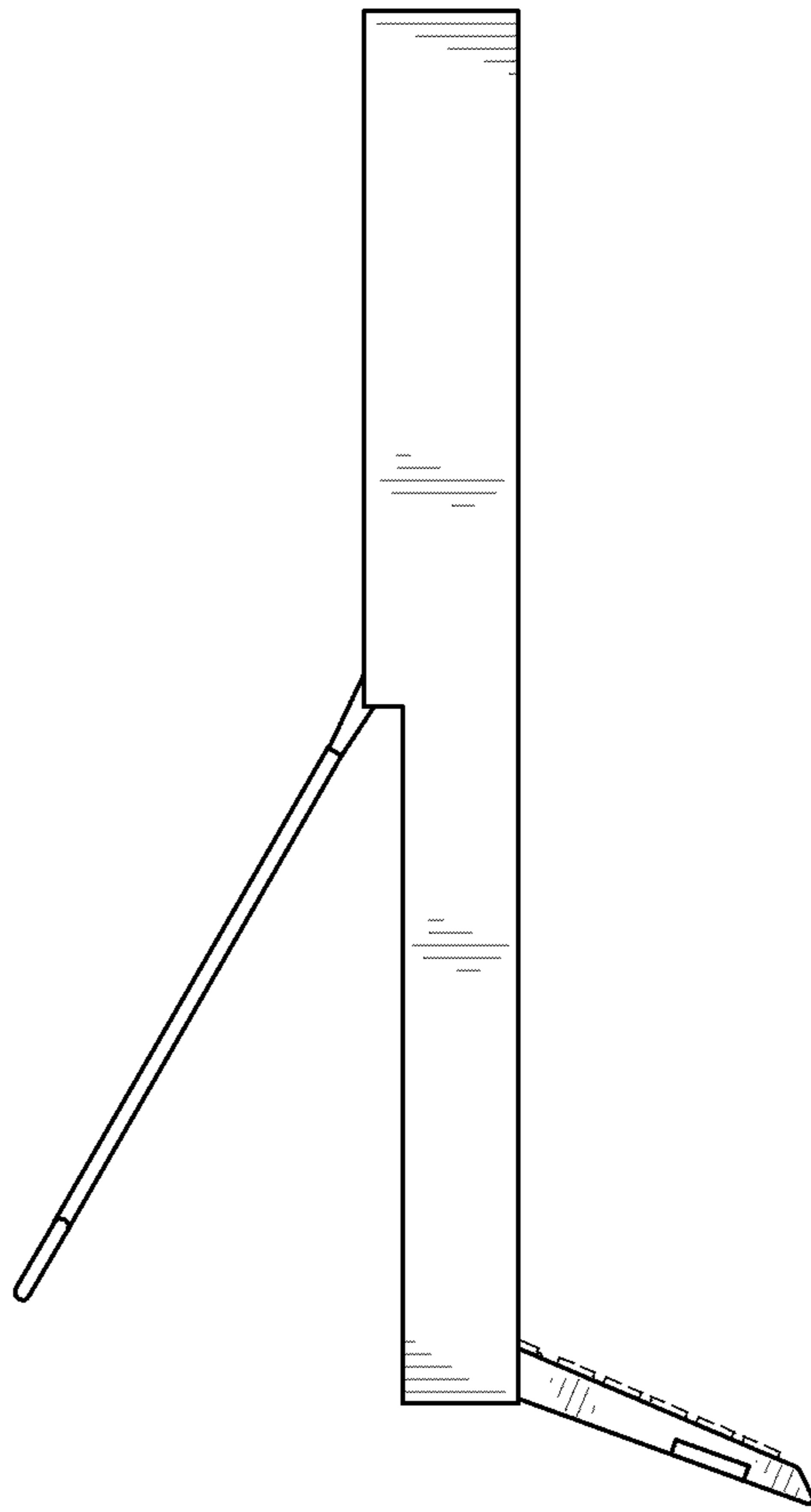


FIG. 4

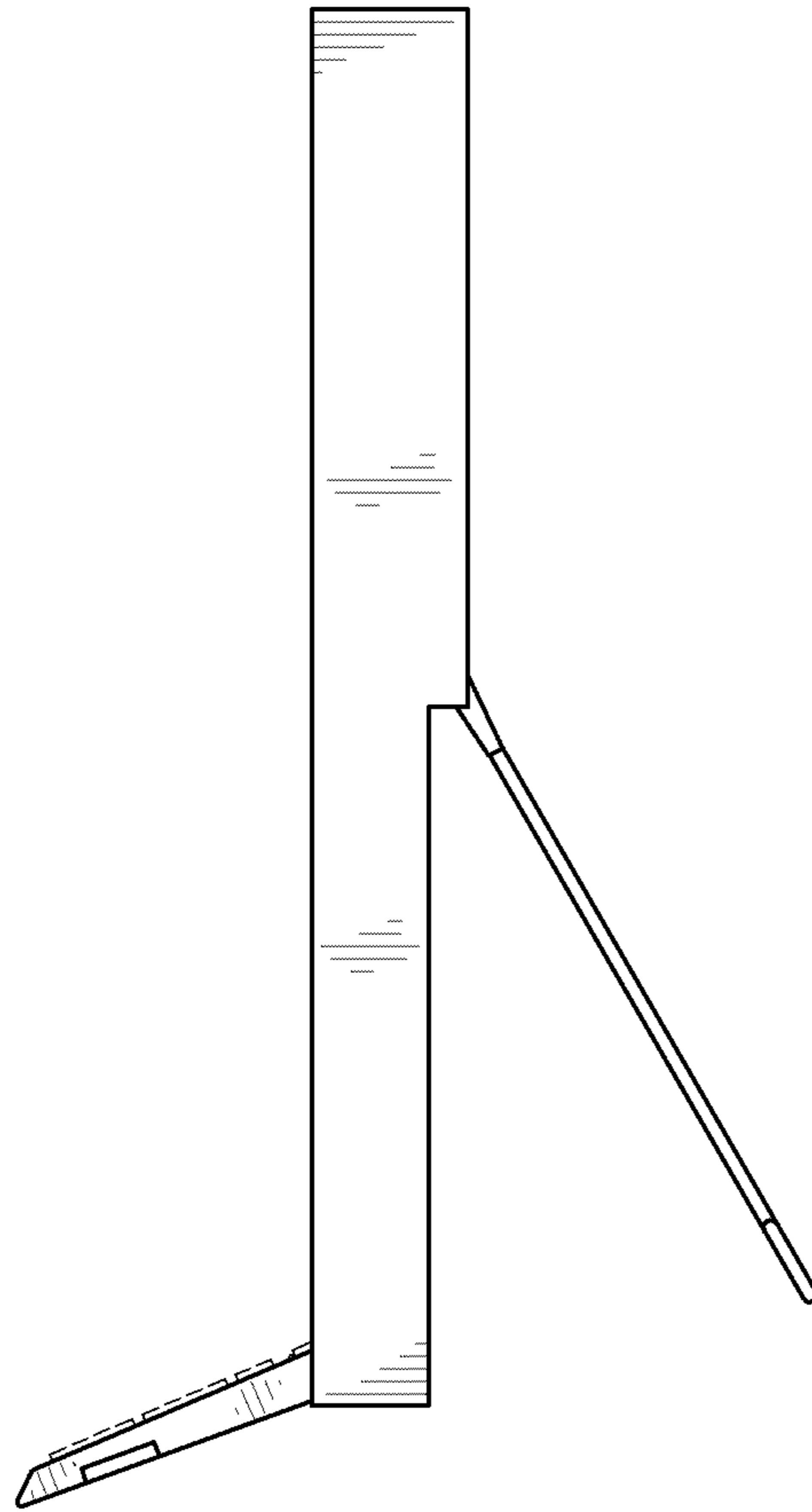


FIG. 5

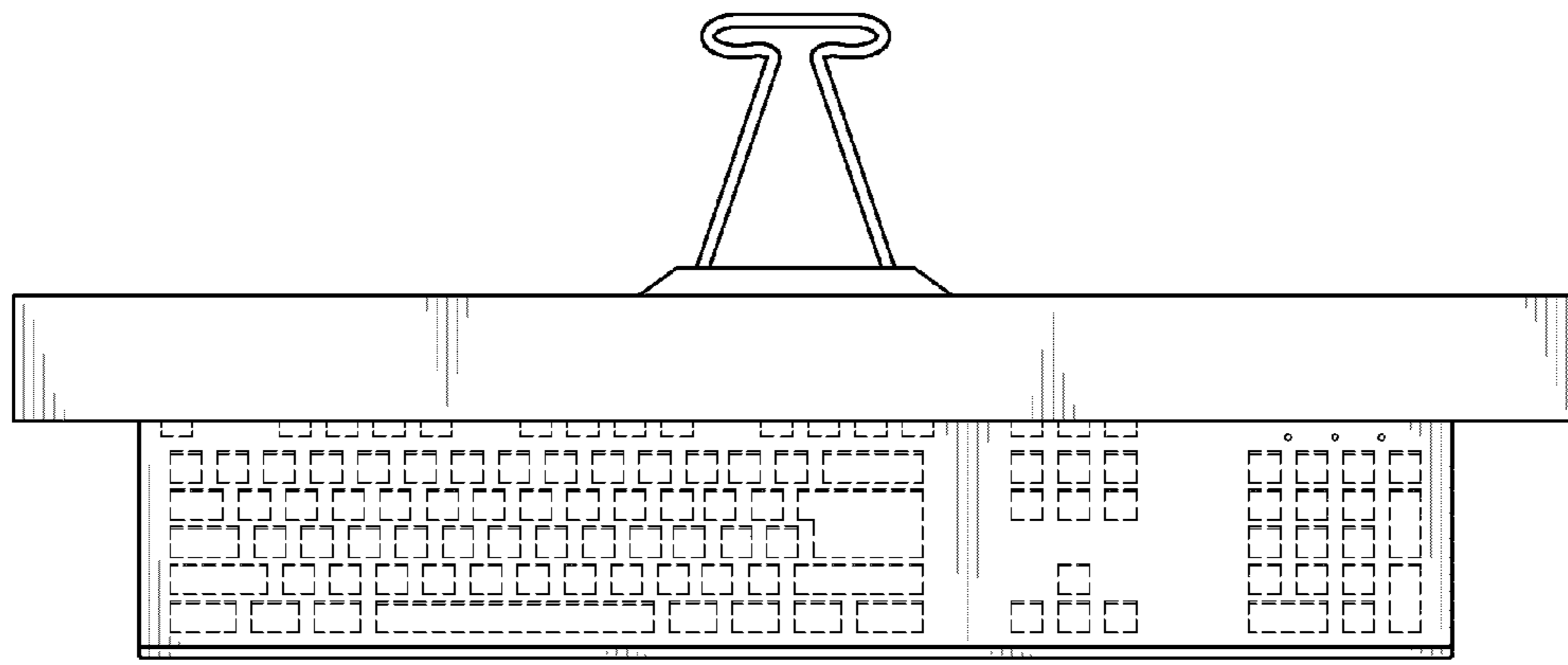


FIG. 6

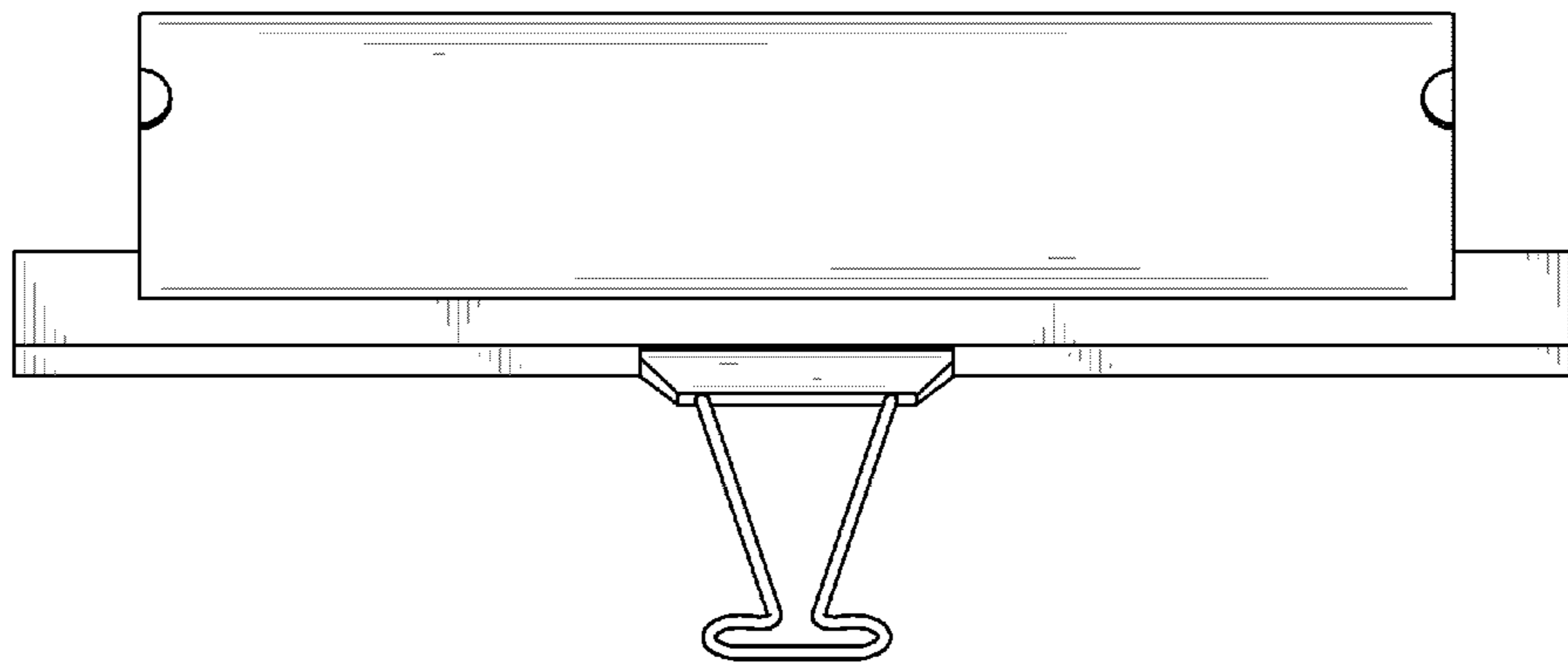


FIG. 7

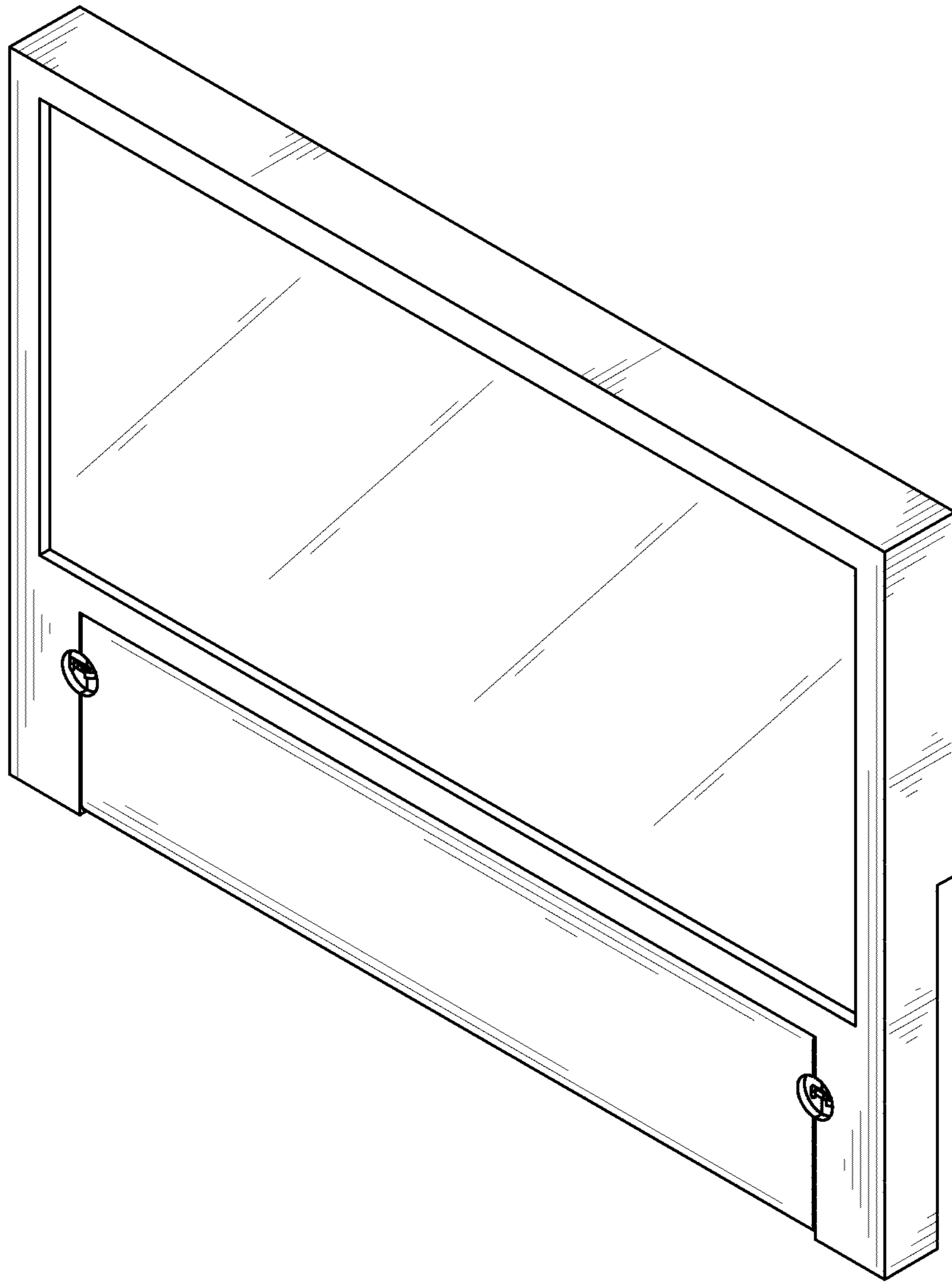


FIG. 8