



US00D700177S

(12) **United States Design Patent**
Akatani et al.

(10) **Patent No.:** **US D700,177 S**

(45) **Date of Patent:** **** Feb. 25, 2014**

(54) **DISC PLAYBACK APPARATUS**

(56) **References Cited**

(75) Inventors: **Shigeru Akatani**, Tokyo (JP); **Akira Izawa**, Tokyo (JP)

U.S. PATENT DOCUMENTS

(73) Assignee: **Tanashin Denki Co., Ltd.**, Setagaya-Ku, Tokyo (JP)

D187,794 S *	5/1960	Tutchings	D14/261
D389,150 S *	1/1998	Tanaka	D14/511
D524,305 S *	7/2006	Shinohara	D14/260.1
D554,624 S *	11/2007	Okuda	D14/217

(**) Term: **14 Years**

* cited by examiner

(21) Appl. No.: **29/426,941**

Primary Examiner — Prabhakar Deshmukh
(74) *Attorney, Agent, or Firm* — Yokoi & Co., U.S.A., Inc.;
Toshiyuki Yokoi

(22) Filed: **Jul. 12, 2012**

(57) **CLAIM**

The ornamental design for a disc playback apparatus, as shown and described.

Related U.S. Application Data

DESCRIPTION

(63) Continuation-in-part of application No. 29/386,604, filed on Mar. 3, 2011, now abandoned.

(51) **LOC (10) Cl.** **14-03**

(52) **U.S. Cl.**

USPC **D14/260.1**

(58) **Field of Classification Search**

USPC D14/511, 217, 257, 258, 260.1,
D14/261–265, 299, 496; 360/99.02, 99.07;
369/75.11, 75.21, 77.11, 77.21;
720/601, 612, 619, 649, 655; 455/344,
455/347–351

FIG. 1 is a front view of a disc playback apparatus of my new design;

FIG. 2 is a rear view thereof;

FIG. 3 is a right side view thereof;

FIG. 4 is a left side view thereof;

FIG. 5 is a top view thereof;

FIG. 6 is a bottom view thereof;

FIG. 7 is a top, front and right side perspective view thereof; and,

FIG. 8 is the disc playback apparatus with a disc thereof.

The disk shown in broken lines in FIG. 8 and other broken lines in FIGS. 1-8 are for the purpose of illustrating the environment only and forms no part of the claimed design.

See application file for complete search history.

1 Claim, 8 Drawing Sheets

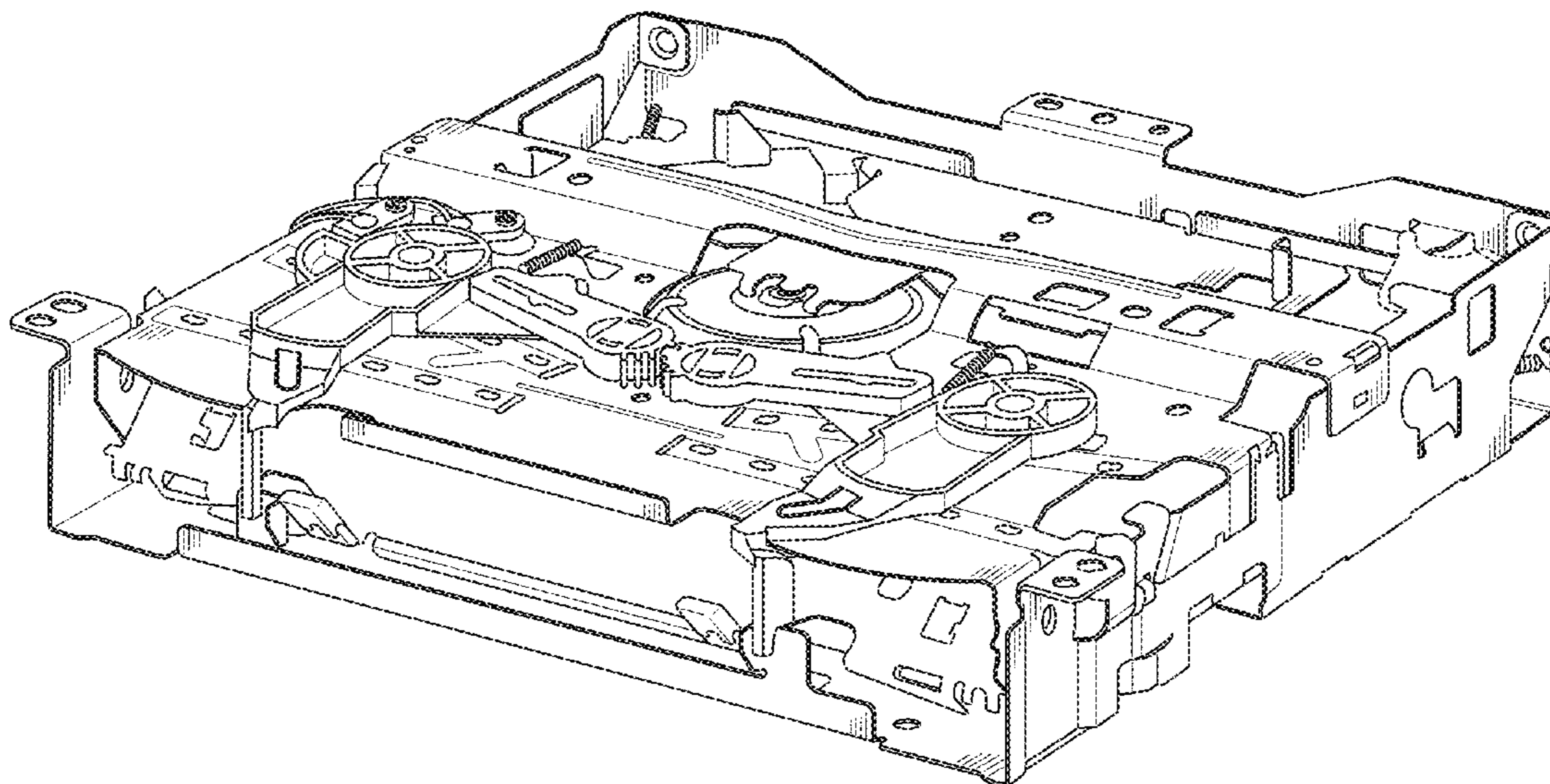


FIG. 1

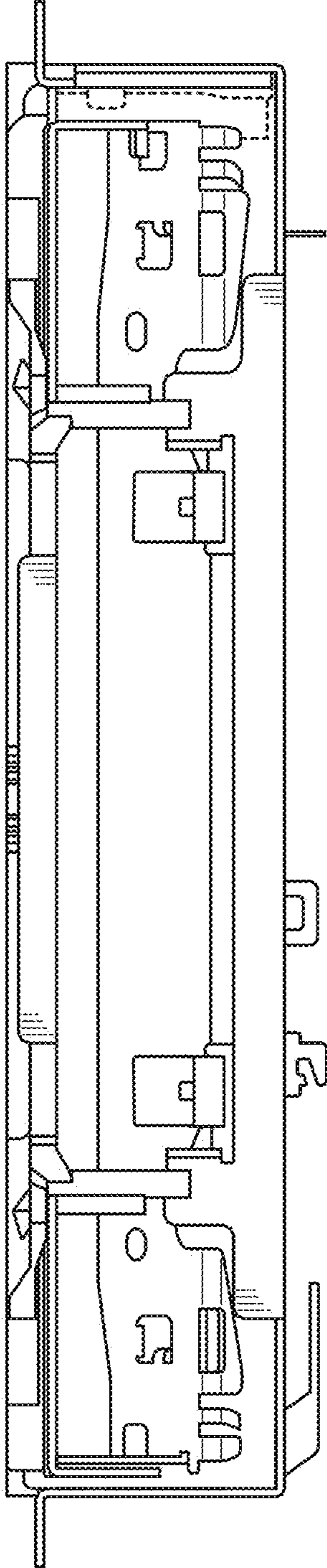


FIG. 2

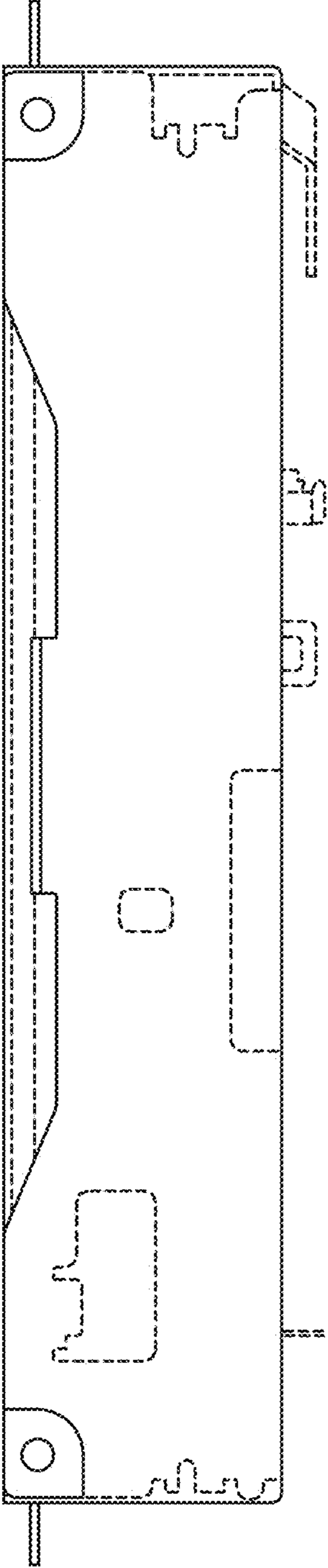


FIG. 3

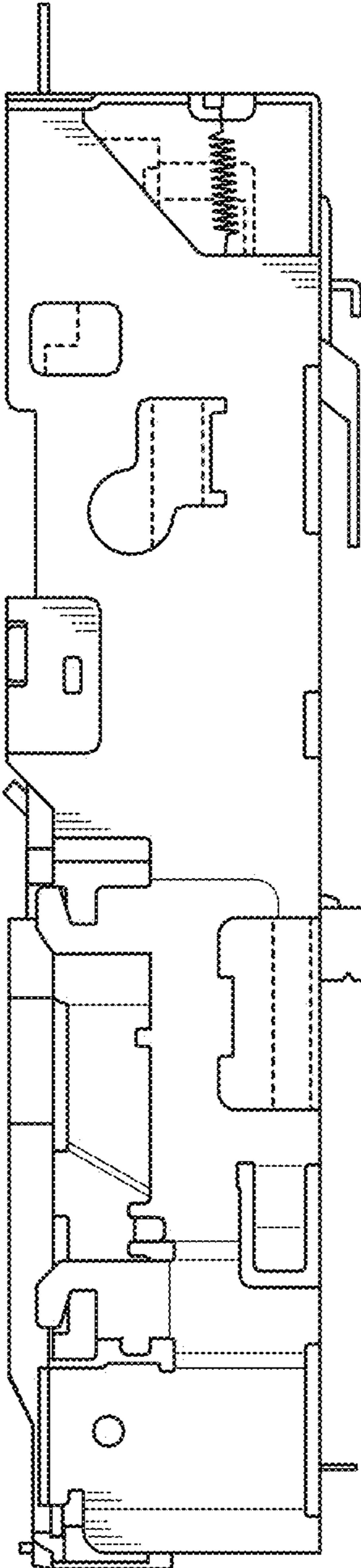


FIG. 4

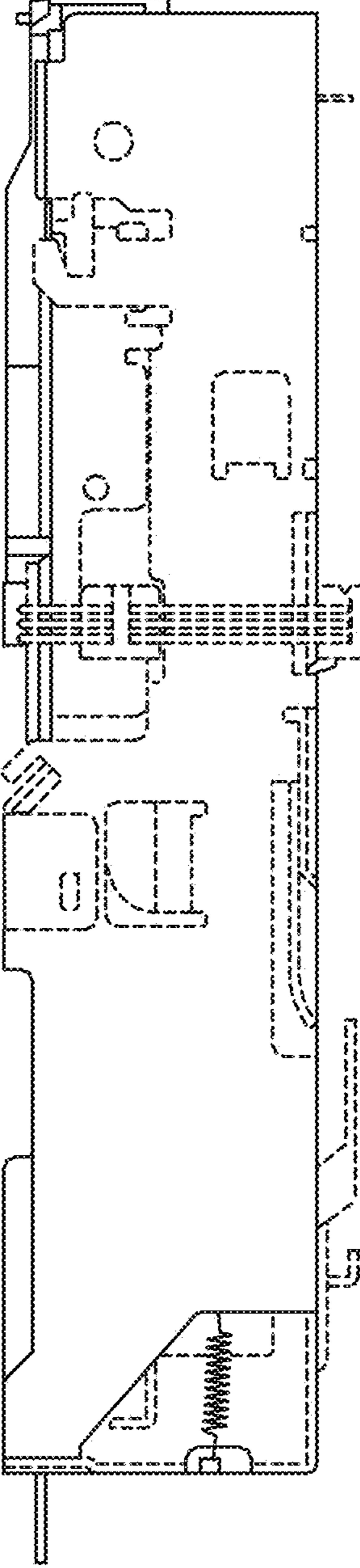


FIG. 5

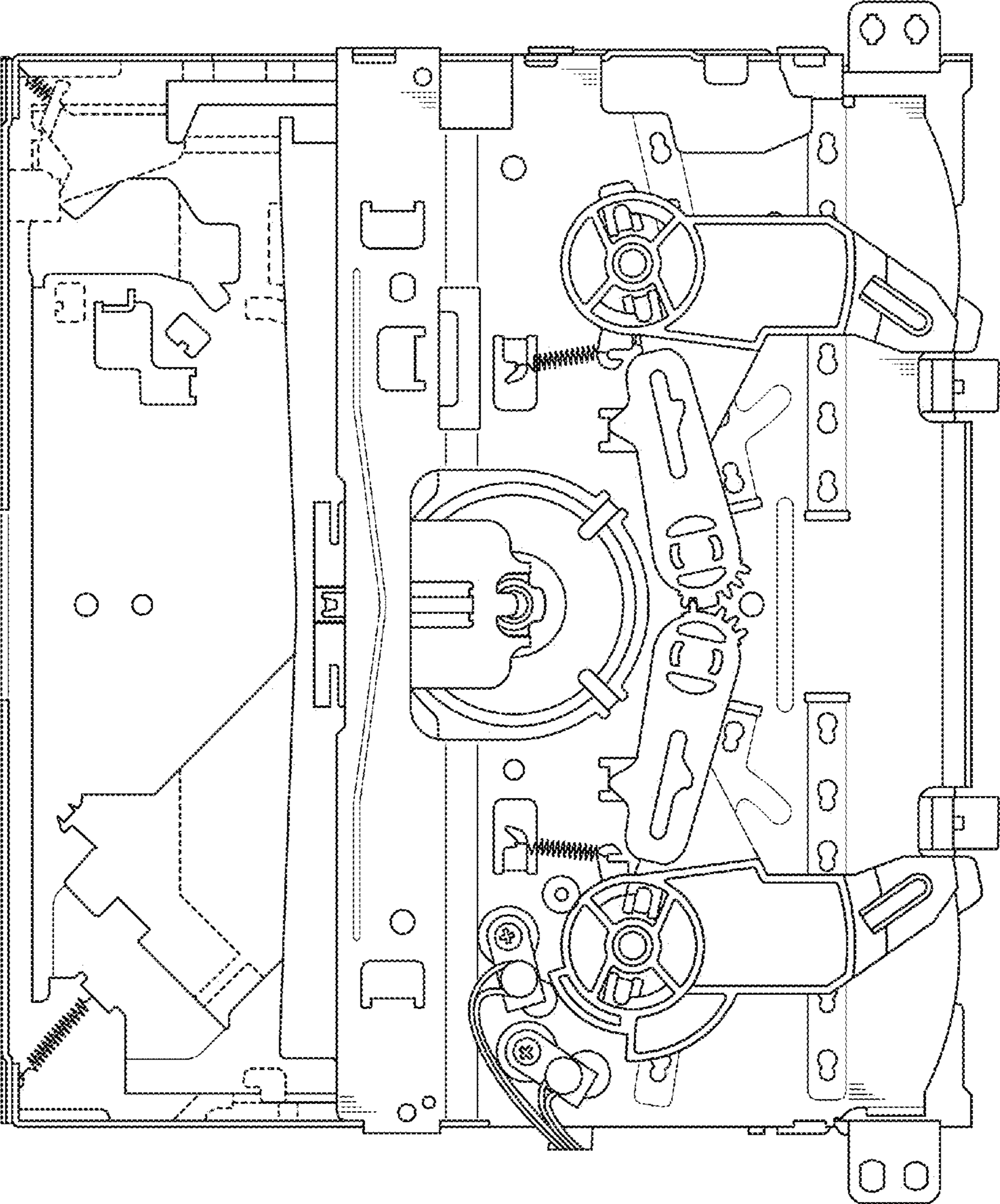


FIG. 6

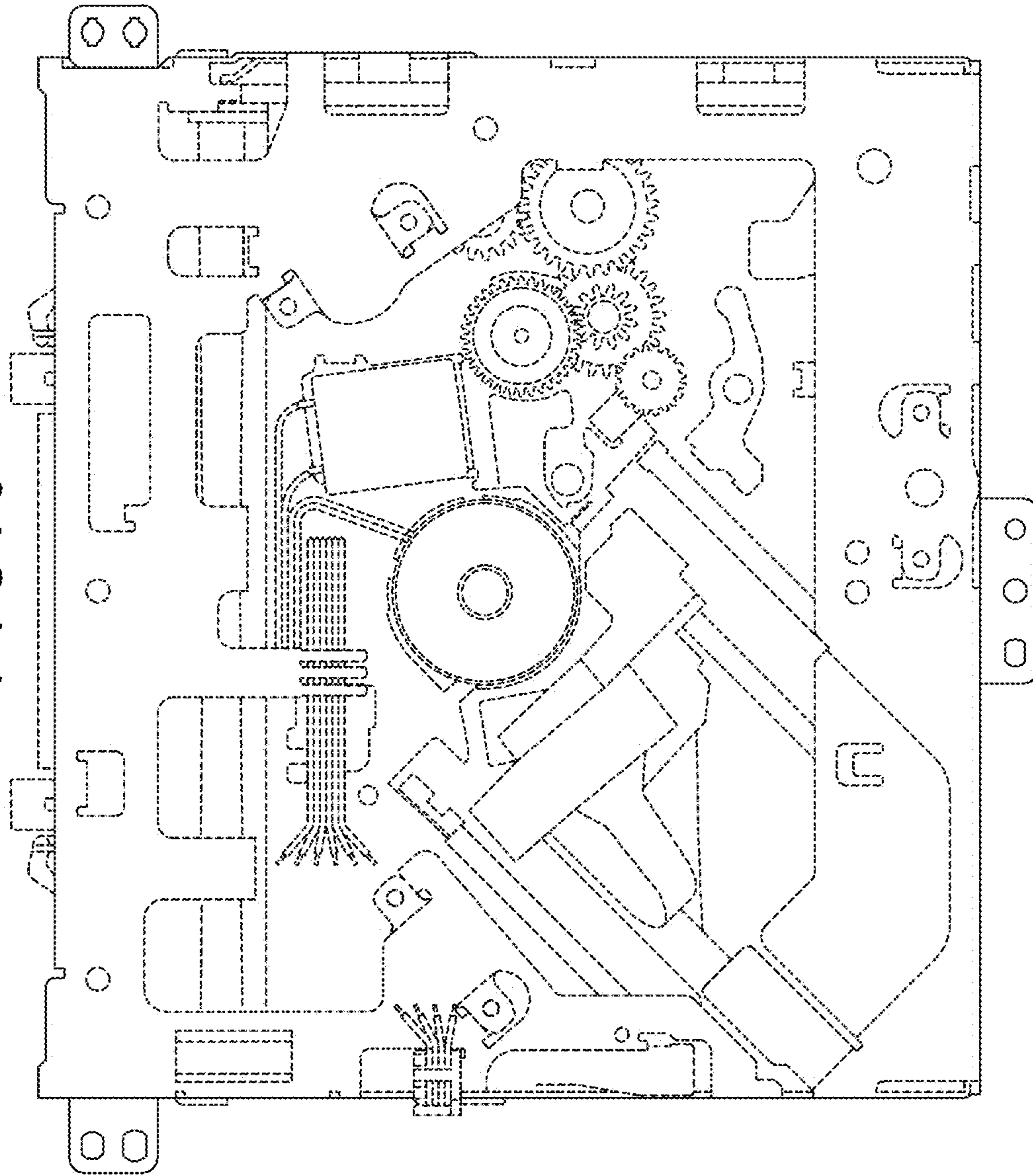


FIG. 7

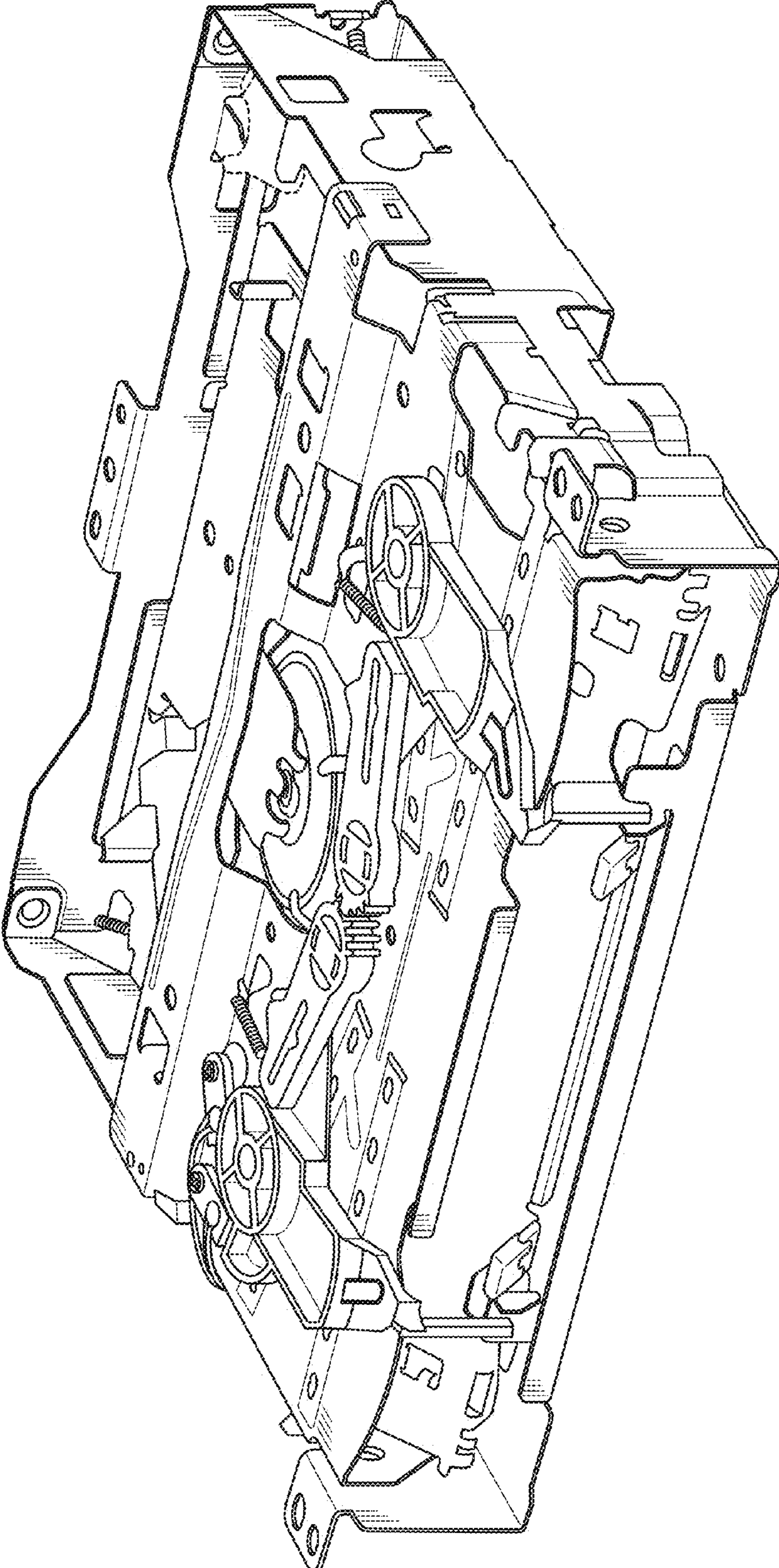


FIG. 8

